



US00D332503S

United States Patent [19]

[11] Patent Number: **Des. 332,503**

Ewing et al.

[45] Date of Patent: **** Jan. 12, 1993**

[54] LUMINAIRE

D. 269,639	7/1983	Eargle, Jr. et al.	D26/88
D. 294,976	3/1988	Ewing	D26/85
D. 298,862	12/1988	Tharp et al.	D26/88

[75] Inventors: **Robert D. Ewing**, Licking; **Peter A. Koloski**, Columbus; **Robert J. Hayes**, Gahanna; **Richard J. Malecha**, Delaware; **David G. Meredith**, Westerville, all of Ohio

OTHER PUBLICATIONS

Thomas Lighting "Lighting Classics" Catalog ©1985, p. 35, Steelite II Light Fixture.

[73] Assignee: **Holophane Company, Inc.**, Newark, Ohio

Primary Examiner—Susan J. Lucas

[**] Term: **14 Years**

[57] CLAIM

[21] Appl. No.: **513,331**

The ornamental design for a luminaire, as shown and described.

[22] Filed: **Apr. 20, 1990**

DESCRIPTION

[52] U.S. Cl. **D26/88**

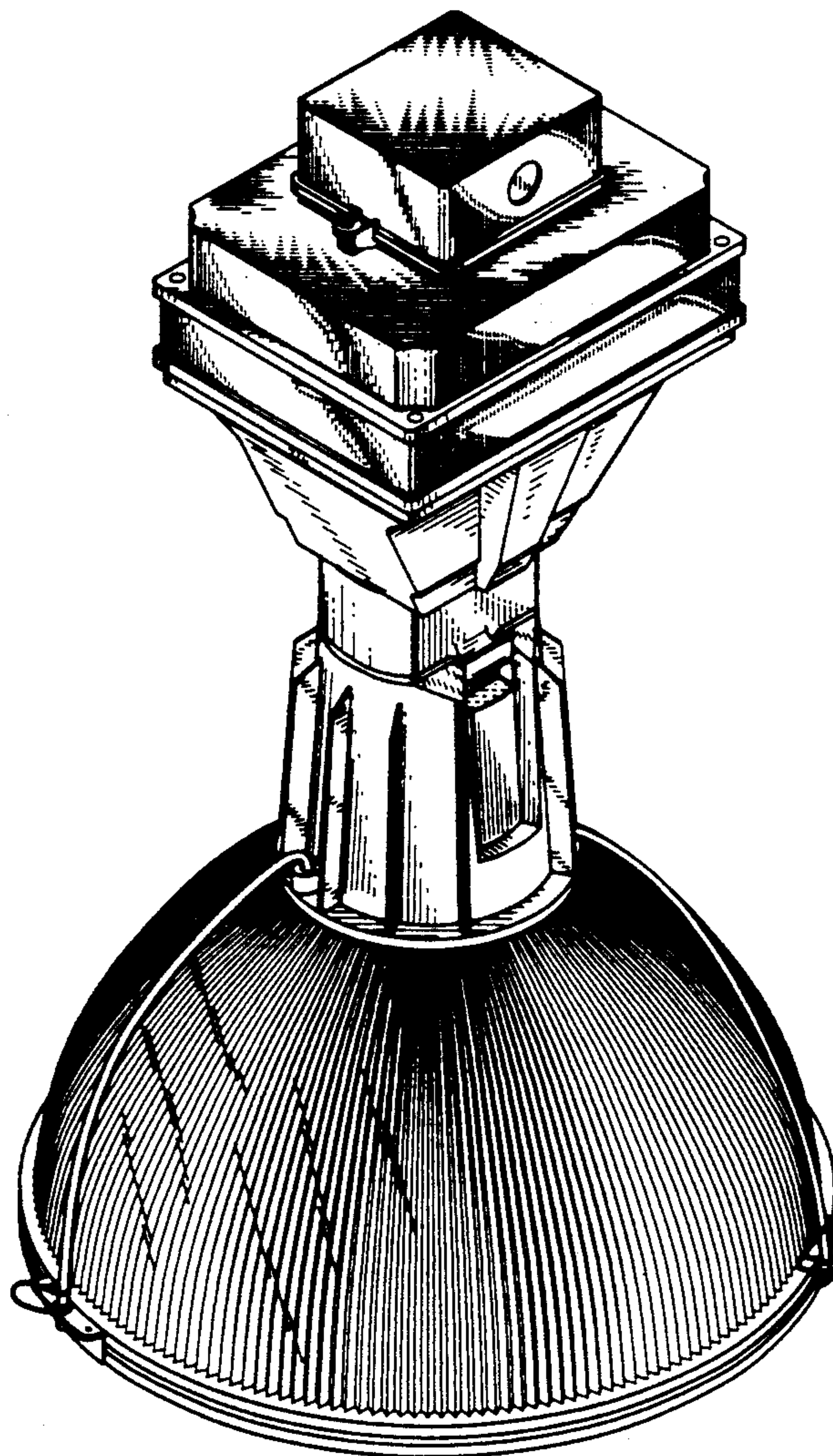
[58] Field of Search **D26/72, 80-92;**
362/147, 404-408, 432, 362, 222, 223

FIG. 1 is a bottom, front perspective view of a luminaire showing our new design;
 FIG. 2 is a rear elevational view thereof;
 FIG. 3 is a side elevational view thereof, the opposite side being a mirror image;
 FIG. 4 is a bottom plan view thereof;
 FIG. 5 is a top plan view thereof;
 FIG. 6 is a side, front perspective view thereof; and,
 FIG. 7 is a side, rear perspective view thereof.

[56] References Cited

U.S. PATENT DOCUMENTS

D. 207,414	4/1967	Lum et al.	D26/88
D. 268,876	5/1983	Leithauser, Jr.	D26/72



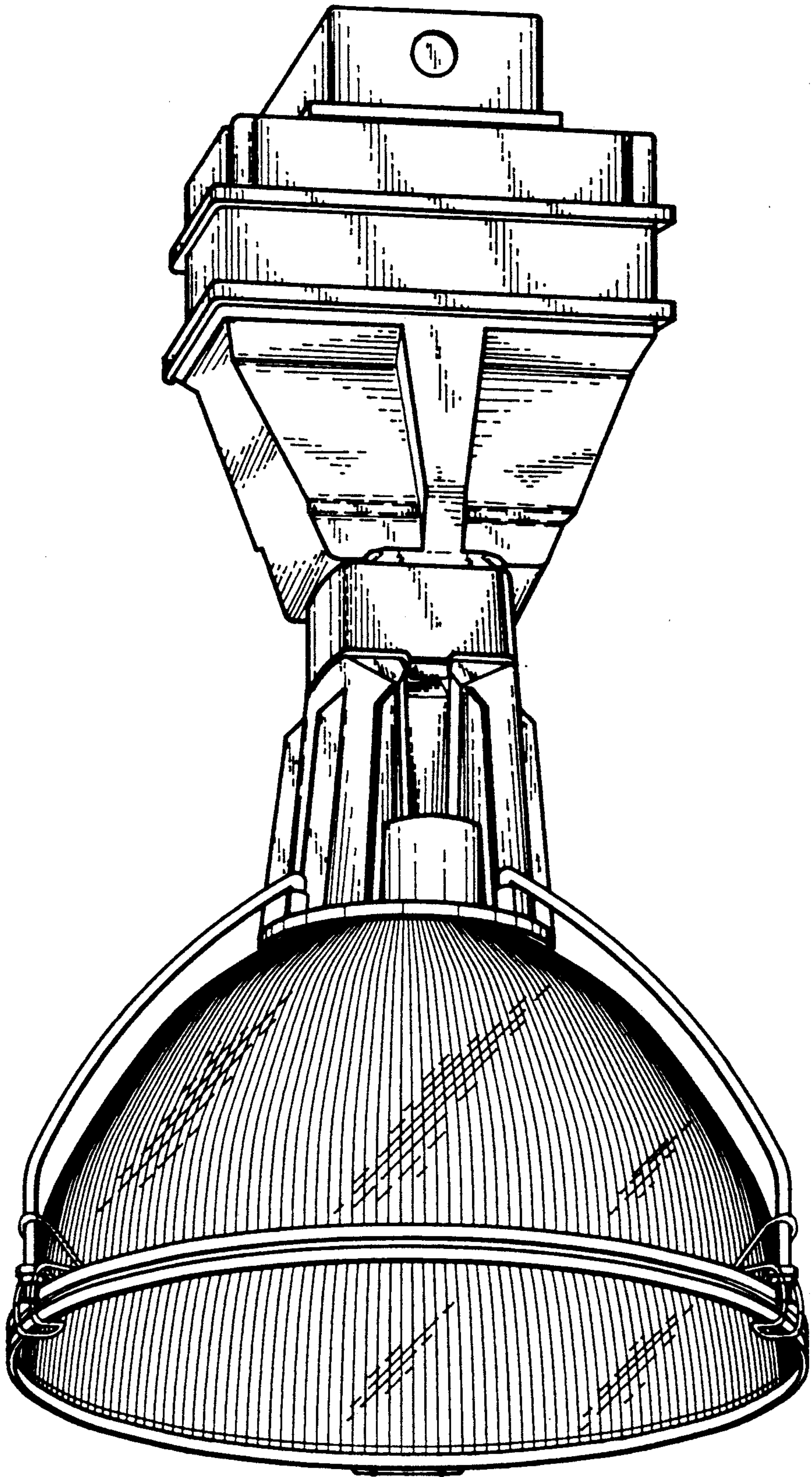


Fig. 1

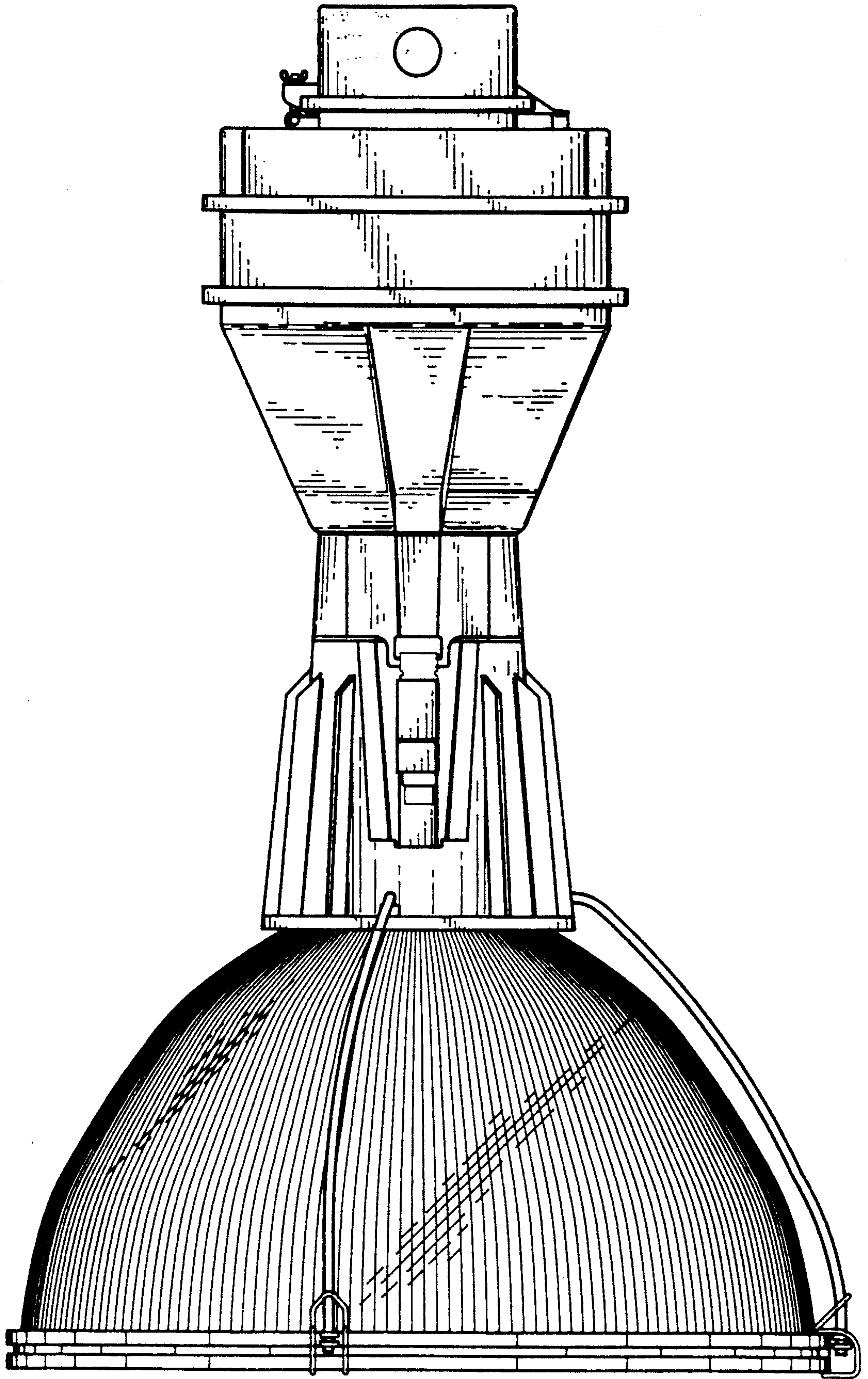


Fig. 2

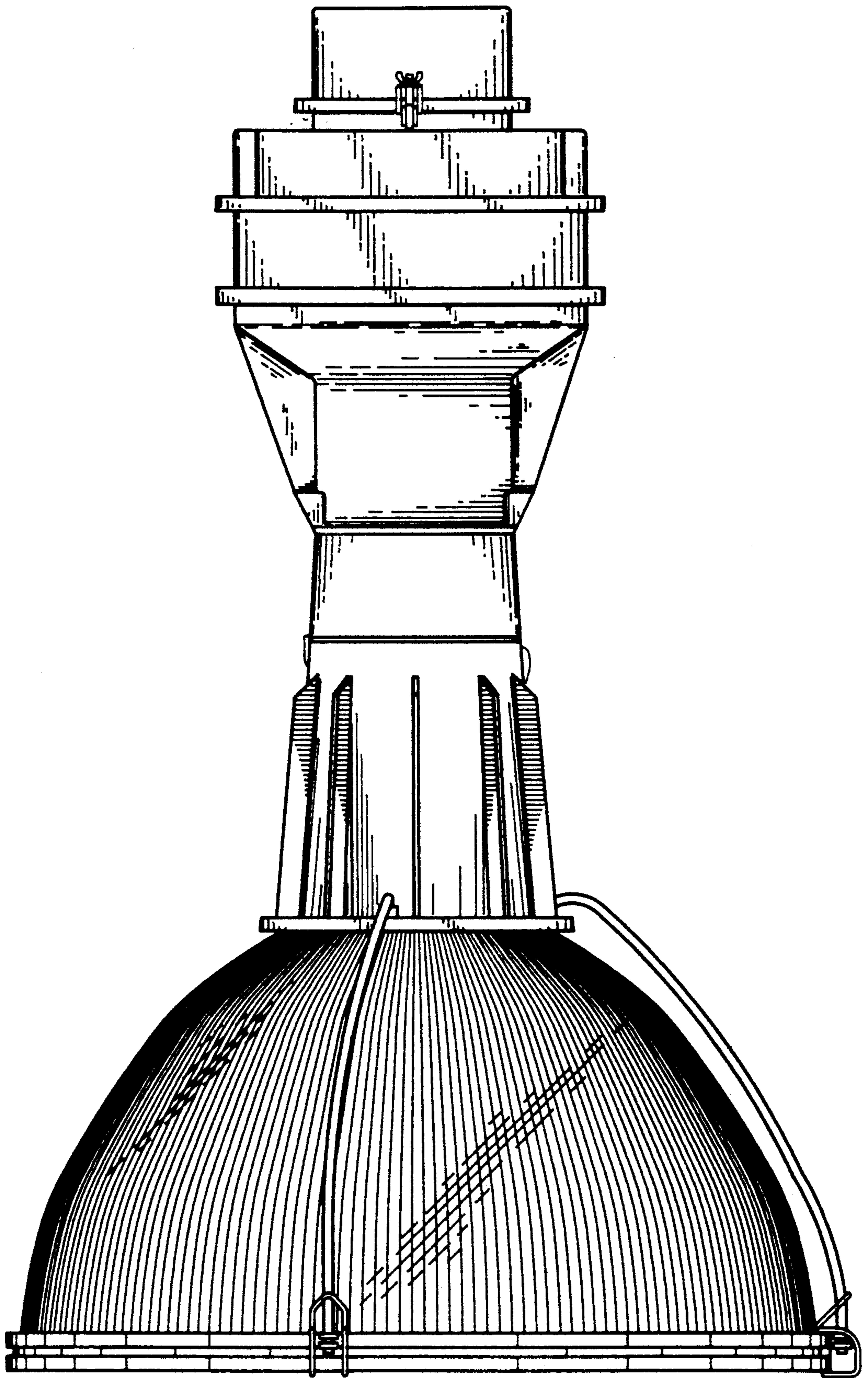


Fig. 3

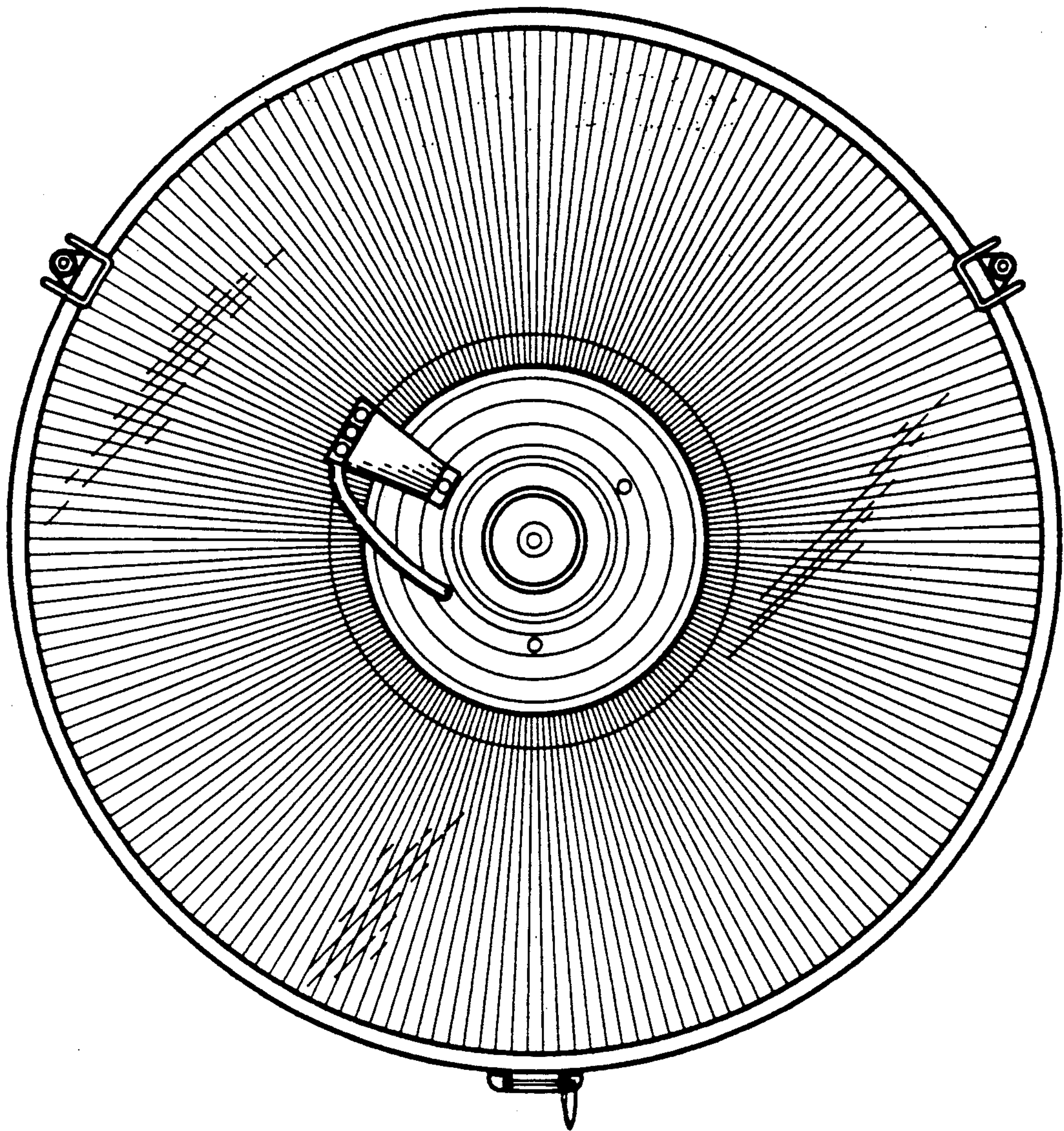


Fig. 4

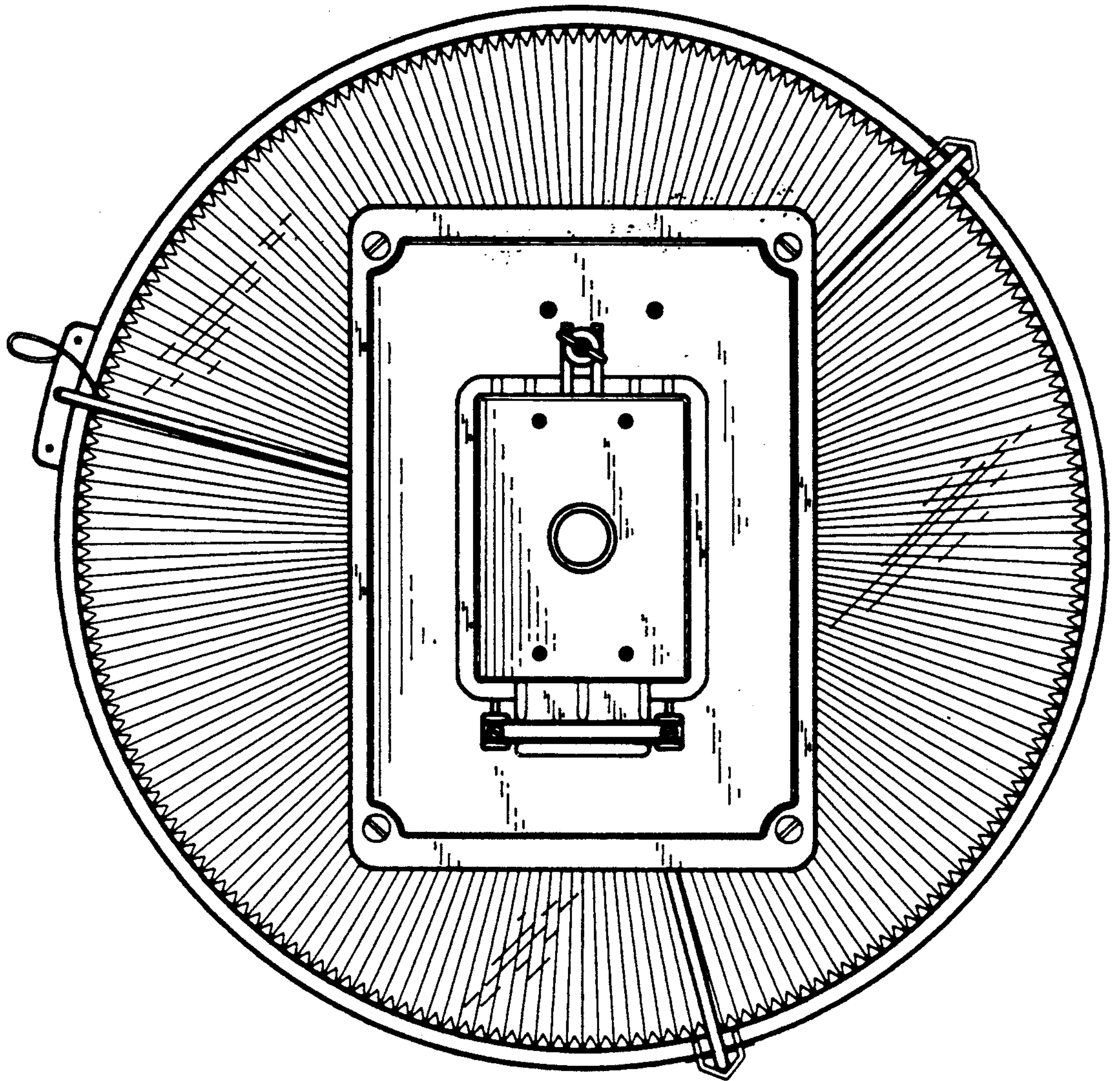


Fig. 5

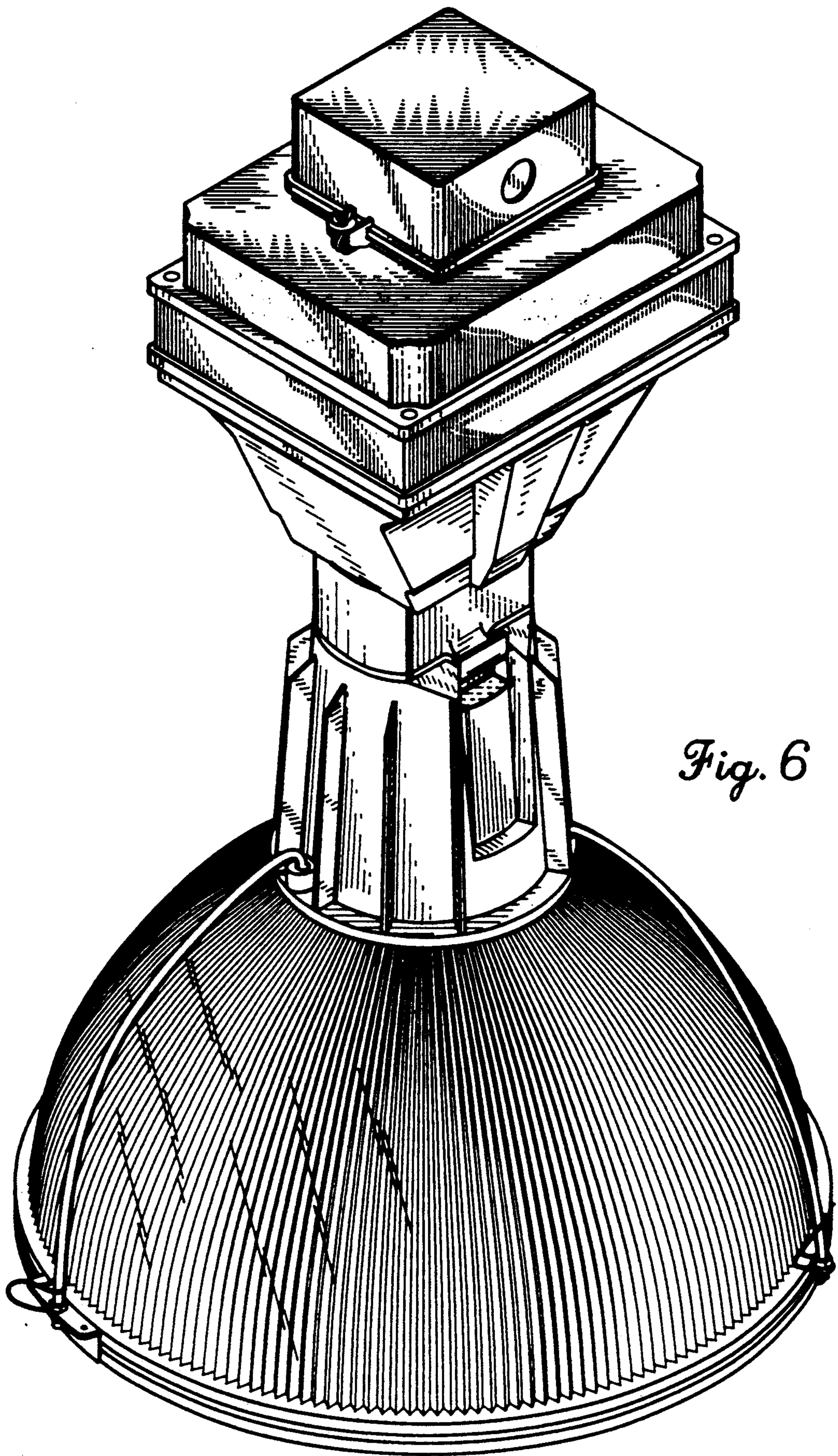


Fig. 6

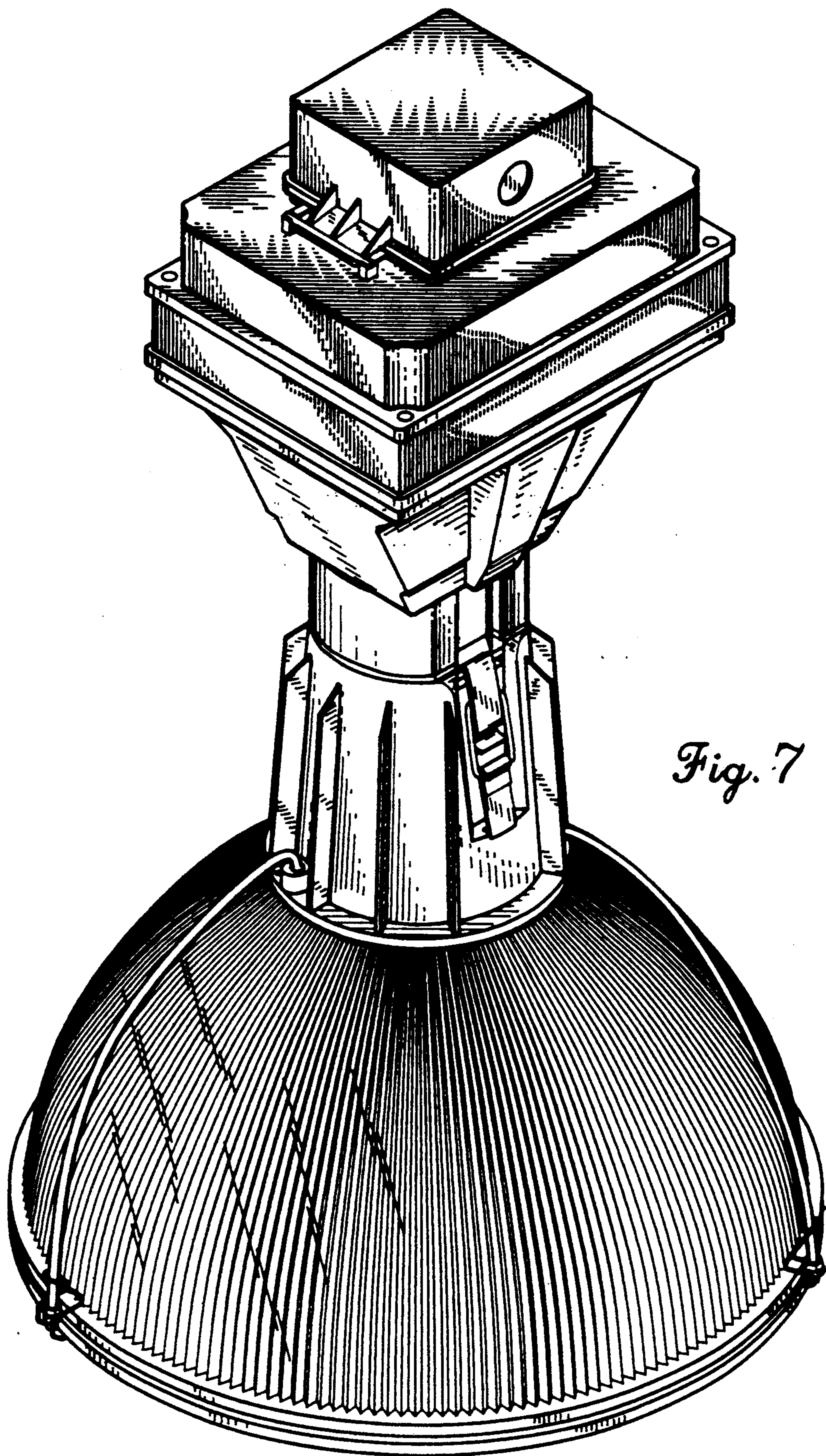


Fig. 7