



US00D332502S

United States Patent [19]

[11] Patent Number: **Des. 332,502**

Roos

[45] Date of Patent: **** Jan. 12, 1993**

[54] RECESSED WALL LAMP

[75] Inventor: **Scott Roos**, Glenview, Ill.

[73] Assignee: **Alkco Manufacturing Company**, Franklin Park, Ill.

[**] Term: **14 Years**

[21] Appl. No.: **465,874**

[22] Filed: **Jan. 16, 1990**

[52] U.S. Cl. **D26/78**

[58] Field of Search **D26/72, 80-92, D26/75, 76, 77, 78, 79; 362/147, 404-408, 432, 217, 221, 222, 249, 128**

[56] **References Cited**

U.S. PATENT DOCUMENTS

D. 295,329 4/1988 Roos et al. **D26/75**
2,618,676 11/1952 Howard **362/260 X**

OTHER PUBLICATIONS

Lighting Design & Application, Apr. 1985, p. 57, "Alinea" tubular lamp.

New Horizons Lighting Inc., "Sunset Strip" Catalog, 1988, p. 16, Recessed Light housing #5212.

Osram Lighting Catalog, Apr. 1984, wall light.

Primary Examiner—Susan J. Lucas

Attorney, Agent, or Firm—Fitzpatrick, Cella, Harper & Scinto

[57] **CLAIM**

The ornamental design for a recessed wall lamp, as shown and described.

DESCRIPTION

FIG. 1 is a bottom plan view of the recessed wall lamp showing my new design;

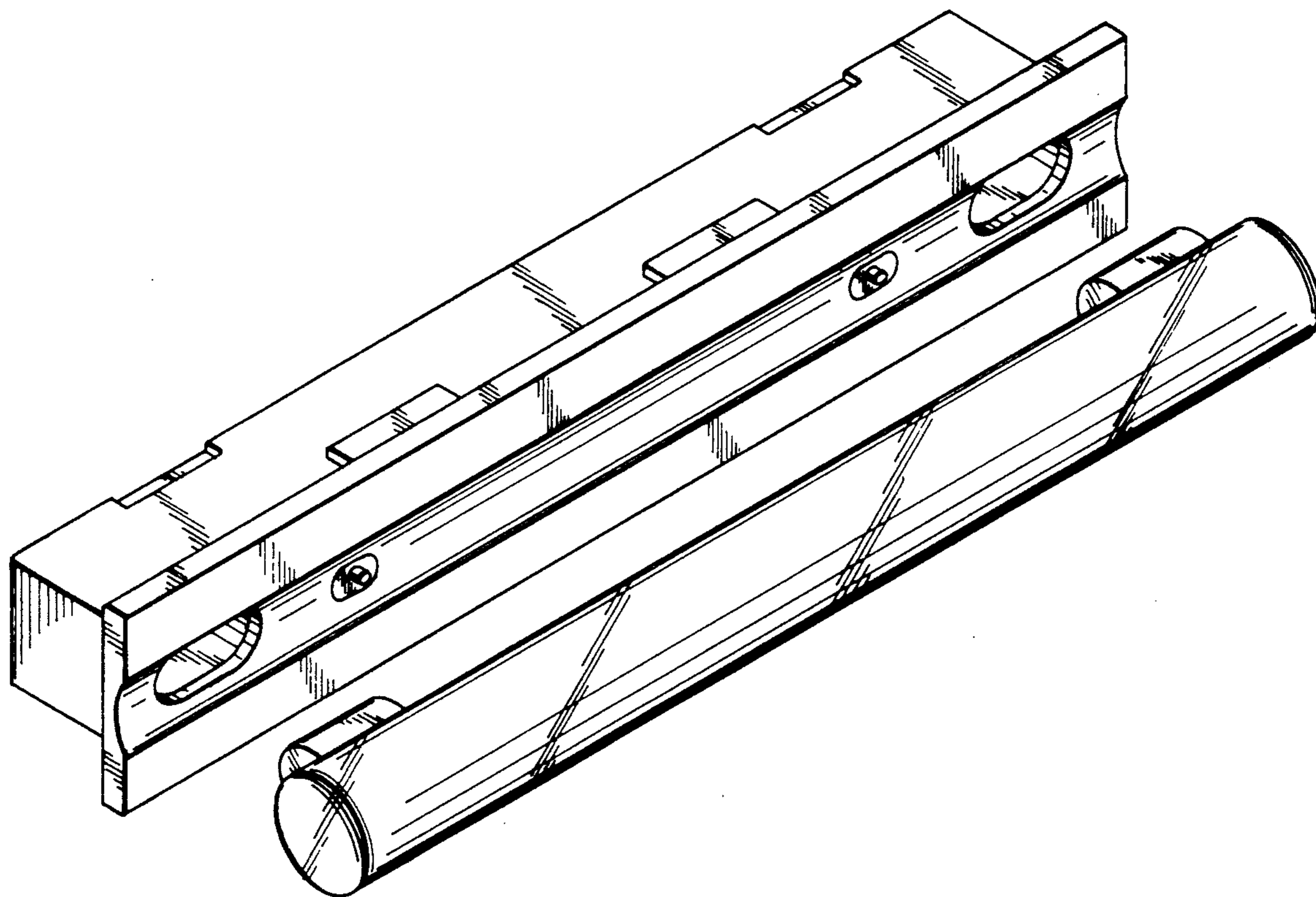
FIG. 2 is a top plan view thereof;

FIG. 3 is a side view thereof;

FIG. 4 is an end view thereof; and,

FIG. 5 is an exploded perspective view thereof.

The opposite side and end of the recessed wall lamp are identical to the side and end shown in FIGS. 3 and 4.



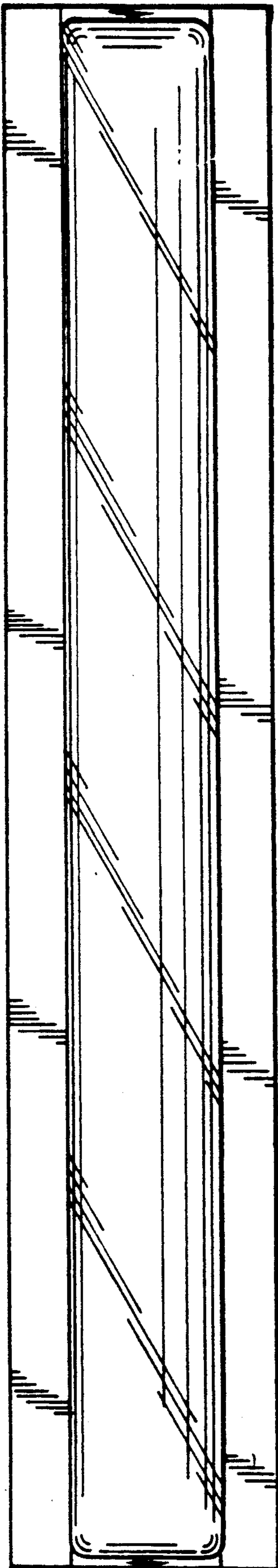


FIG. 1

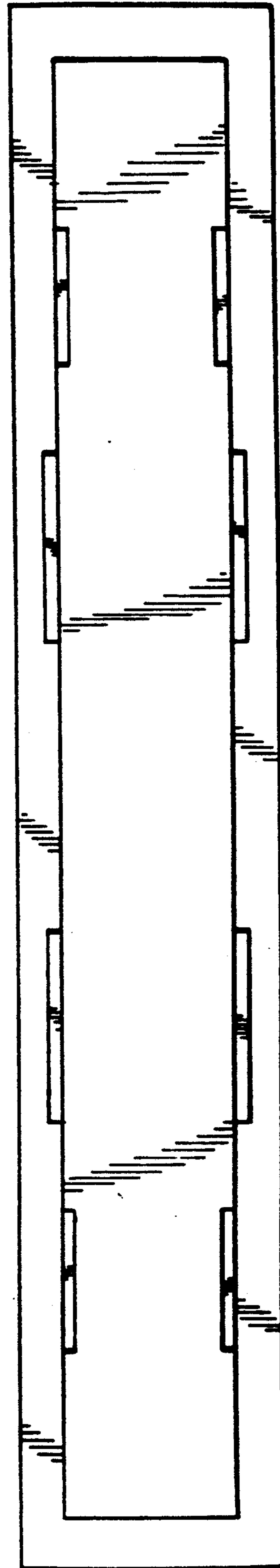


FIG. 2

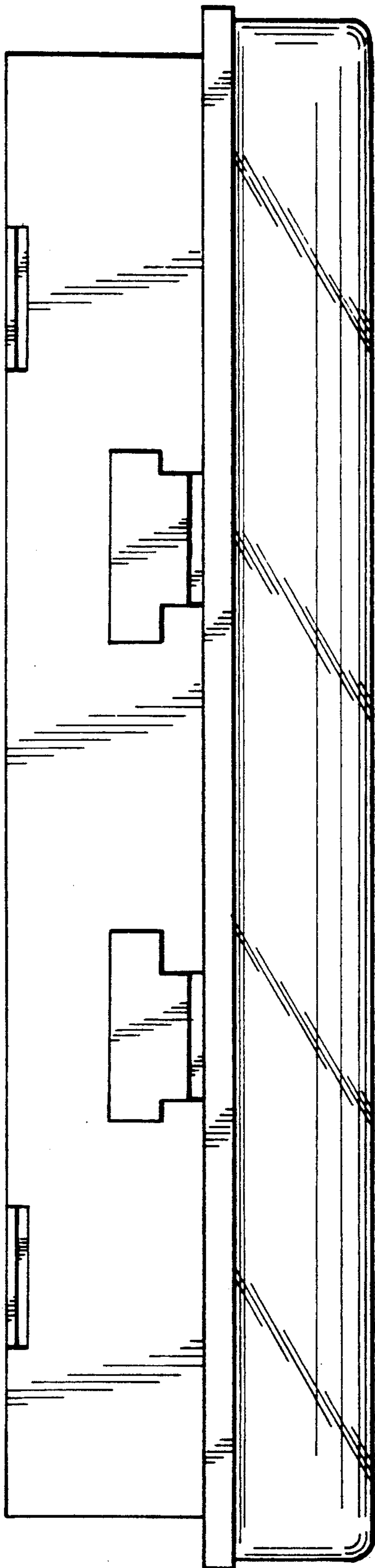


FIG. 3

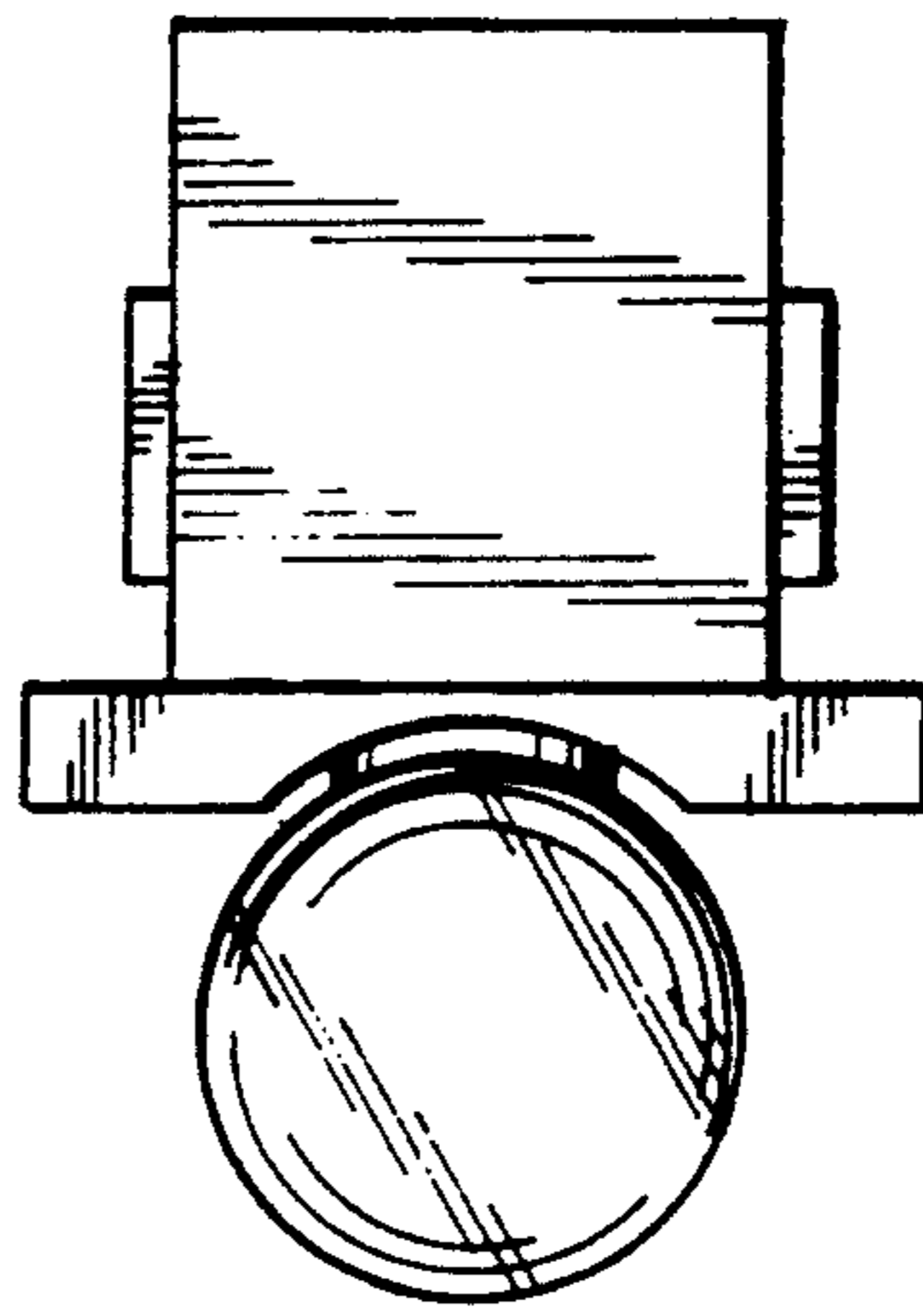


FIG. 4

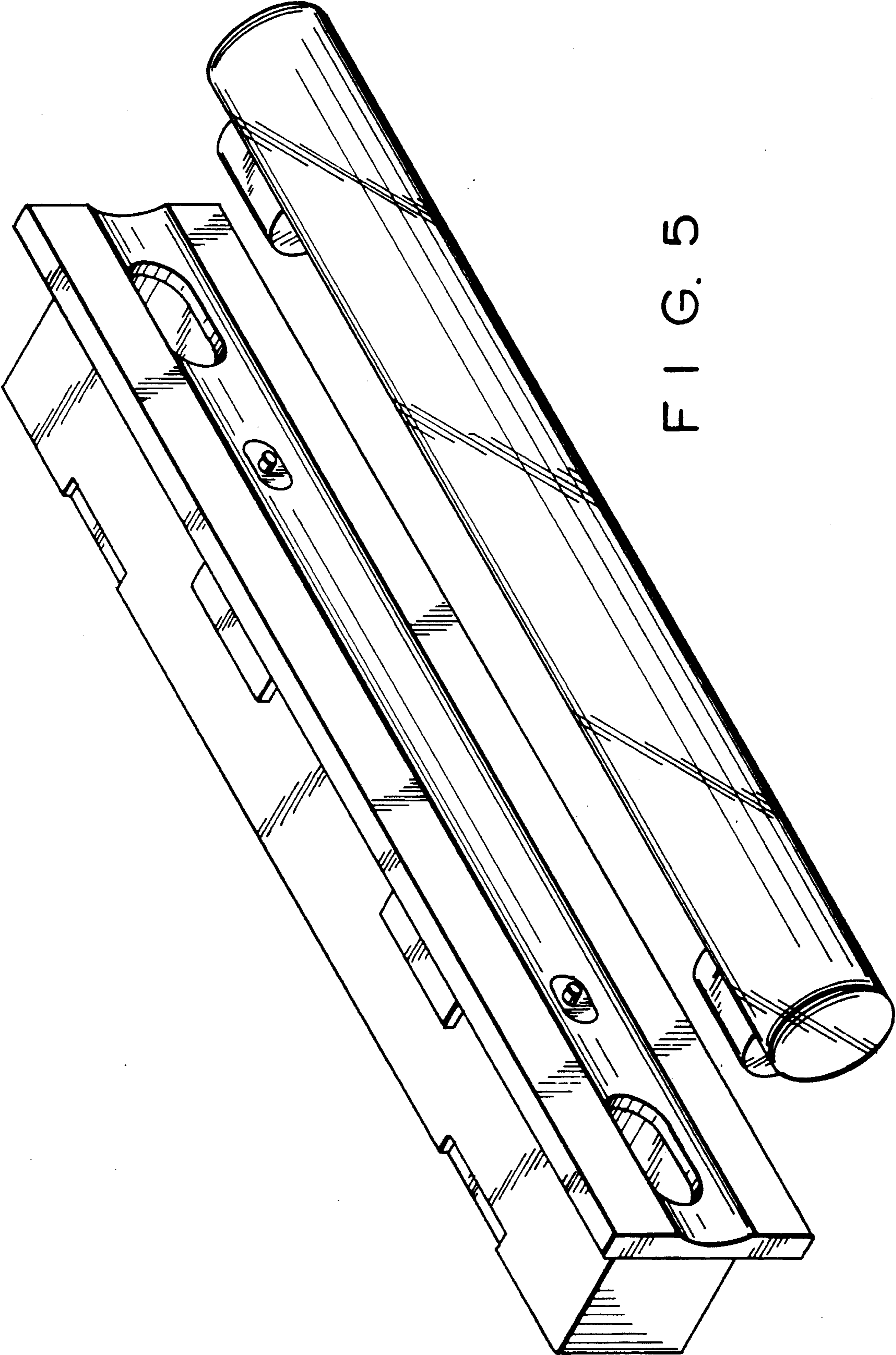


FIG. 5