



US00D332497S

# United States Patent [19]

[11] Patent Number: **Des. 332,497**

Shufelt

[45] Date of Patent: **\*\* Jan. 12, 1993**

[54] SAFETY SHIELD

3,127,855 4/1904 Conlon ..... D24/232 X  
4,981,086 1/1991 Barca et al. .... D24/232 X

[76] Inventor: **Sharon Shufelt, 4828 51st, San Diego, Calif. 92115**

*Primary Examiner*—Stella Reid  
*Assistant Examiner*—I. Simmons  
*Attorney, Agent, or Firm*—Nydegger & Associates

[\*\*] Term: **14 Years**

[21] Appl. No.: **498,365**

[57] **CLAIM**

[22] Filed: **Mar. 23, 1990**

The ornamental design for a safety shield, as shown.

[52] U.S. Cl. .... **D24/232**

[58] Field of Search ..... **D24/232; 51/271, 272, 51/274; 109/49.5, 50**

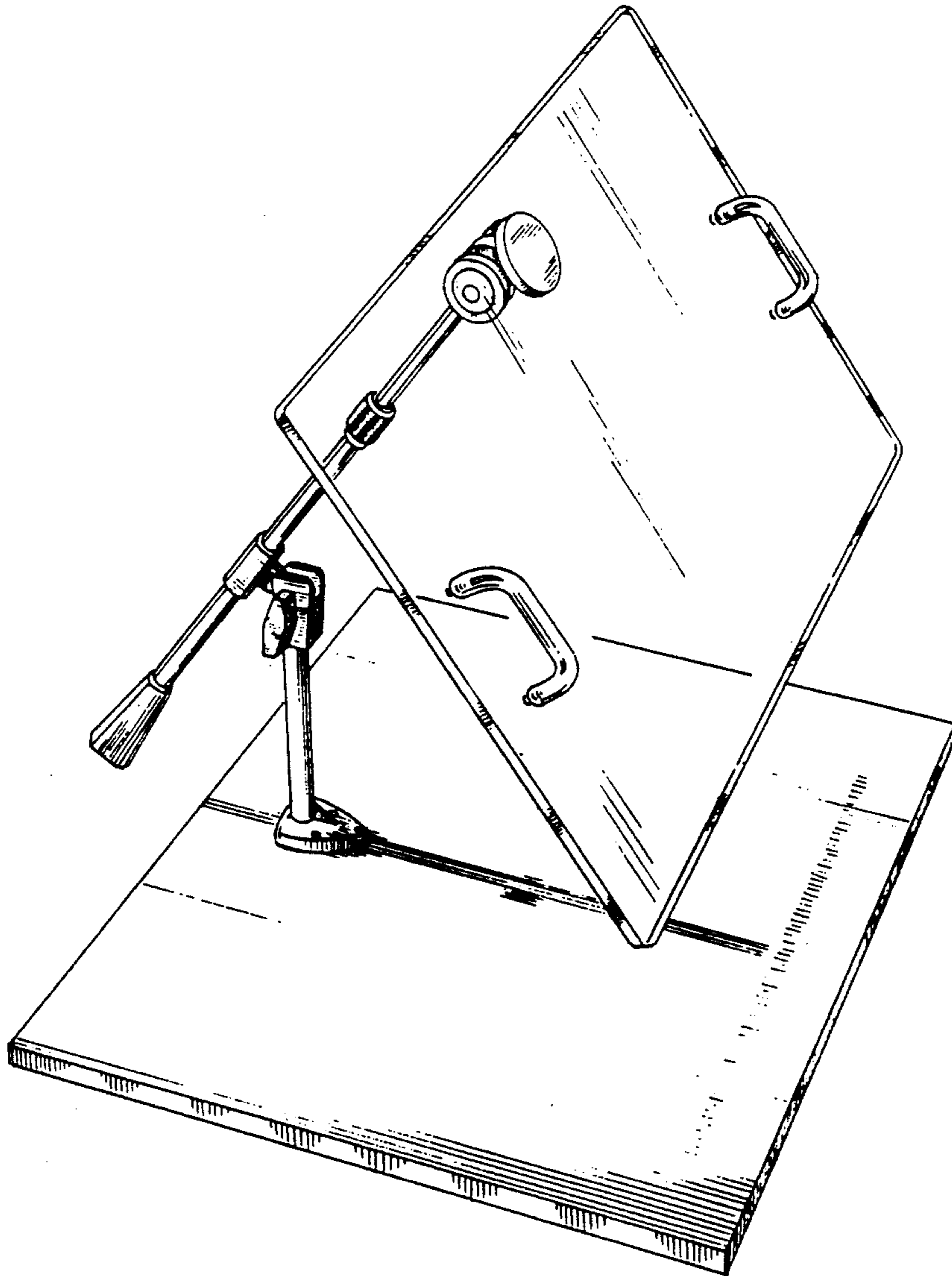
**DESCRIPTION**

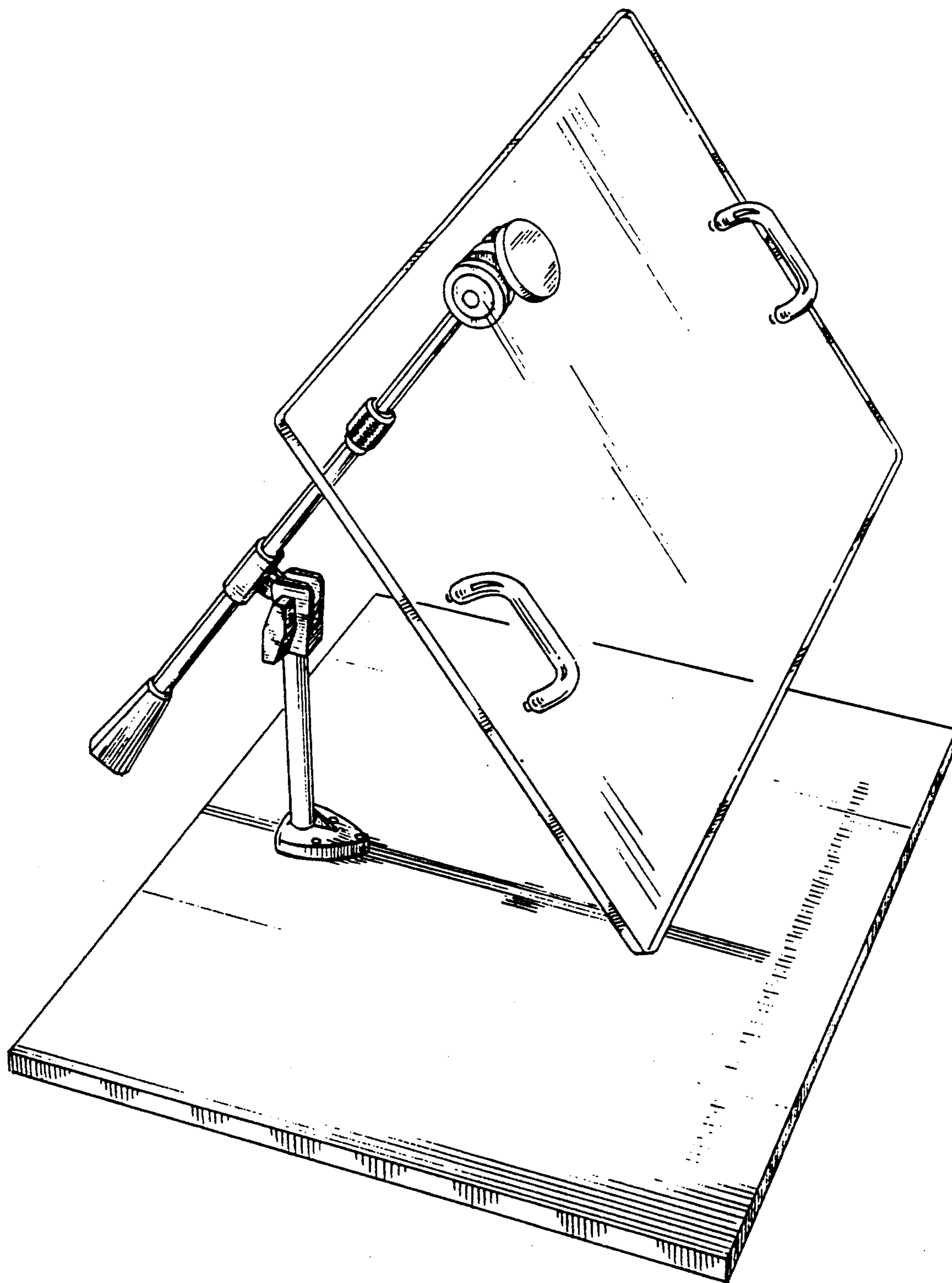
[56] **References Cited**

**U.S. PATENT DOCUMENTS**

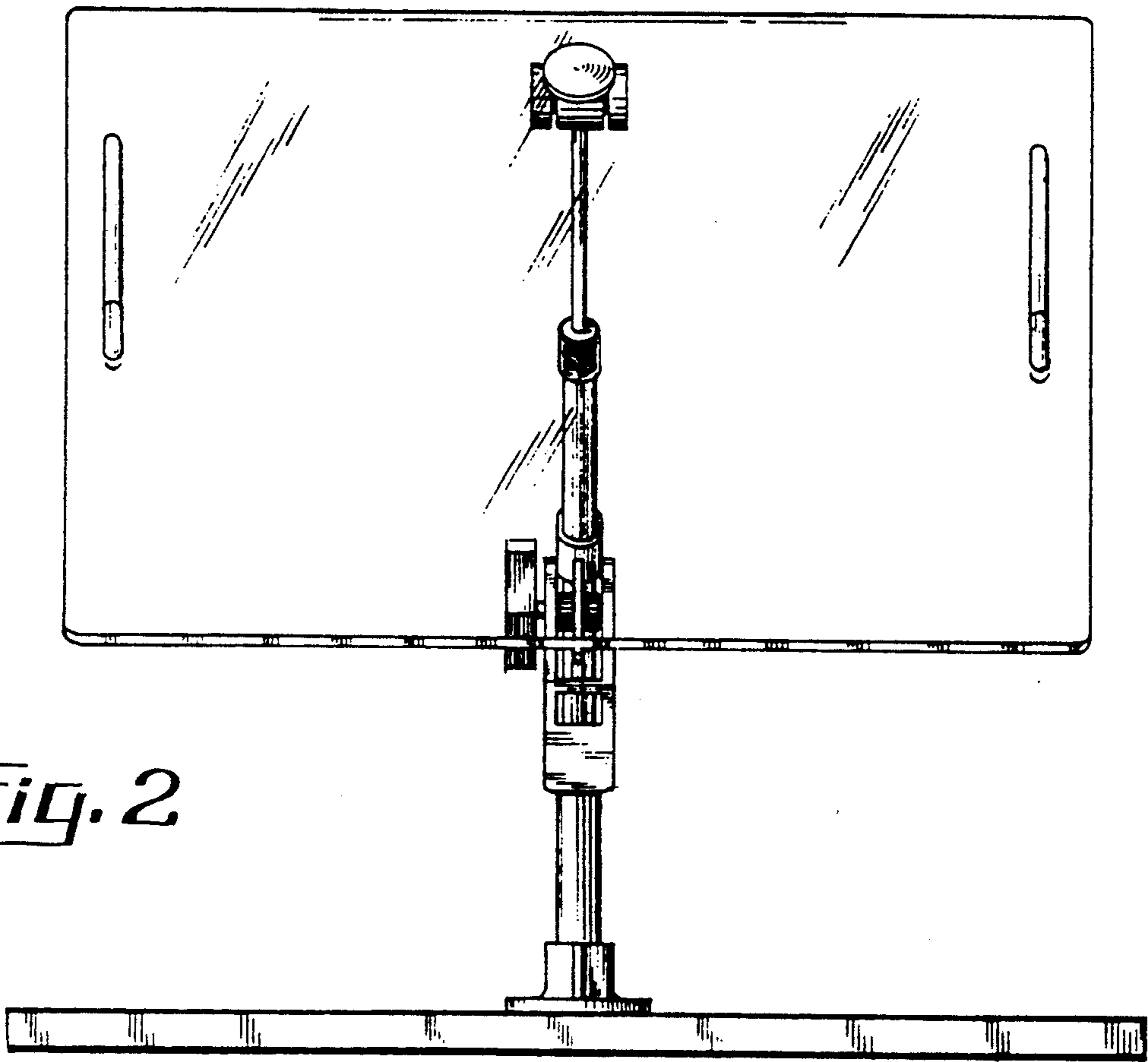
- D. 274,466 6/1984 Conlon ..... D24/232
- D. 297,765 9/1988 Conlon ..... D24/232
- D. 297,766 9/1988 Conlon ..... D24/232
- D. 300,945 5/1989 Fleming et al. .... D24/158

FIG. 1 is a perspective view of a safety shield showing my new design;  
FIG. 2 is a front elevational view thereof;  
FIG. 3 is a left side elevational view thereof;  
FIG. 4 is a right side elevational view thereof;  
FIG. 5 is a rear elevational view thereof; and,  
FIG. 6 is a top plan view thereto the bottom plan view being plain and unornamented.

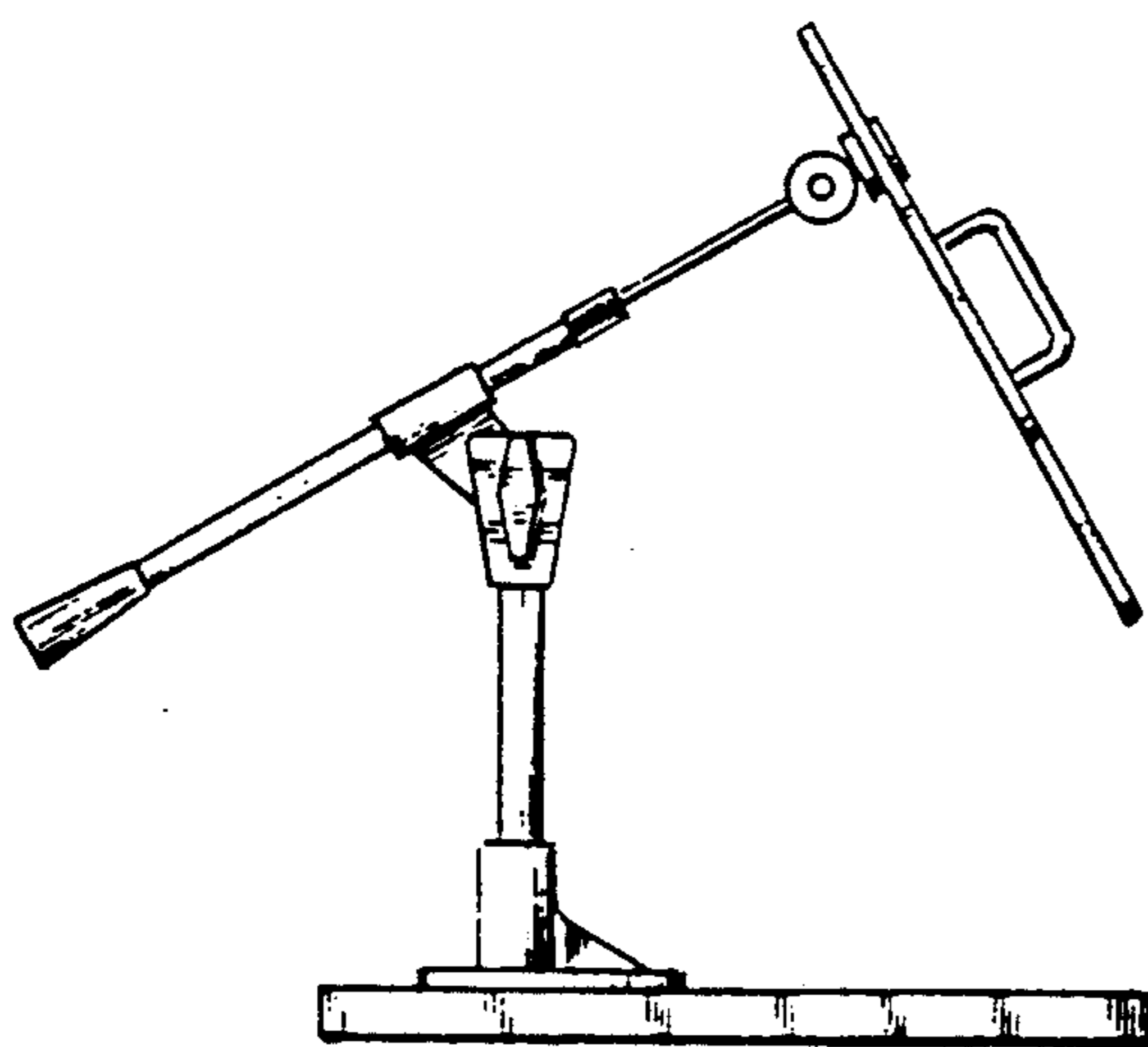




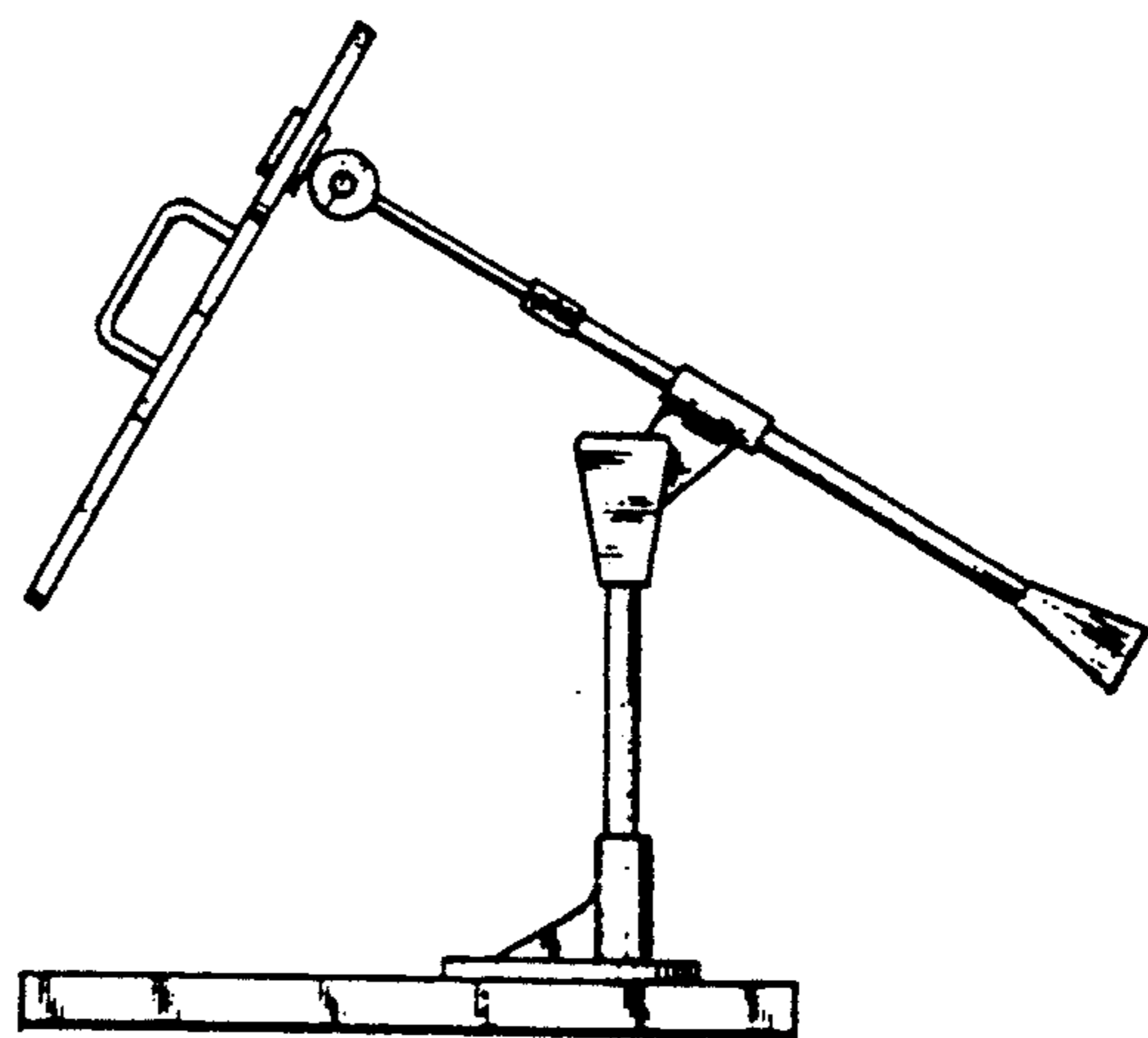
*Fig. 1*



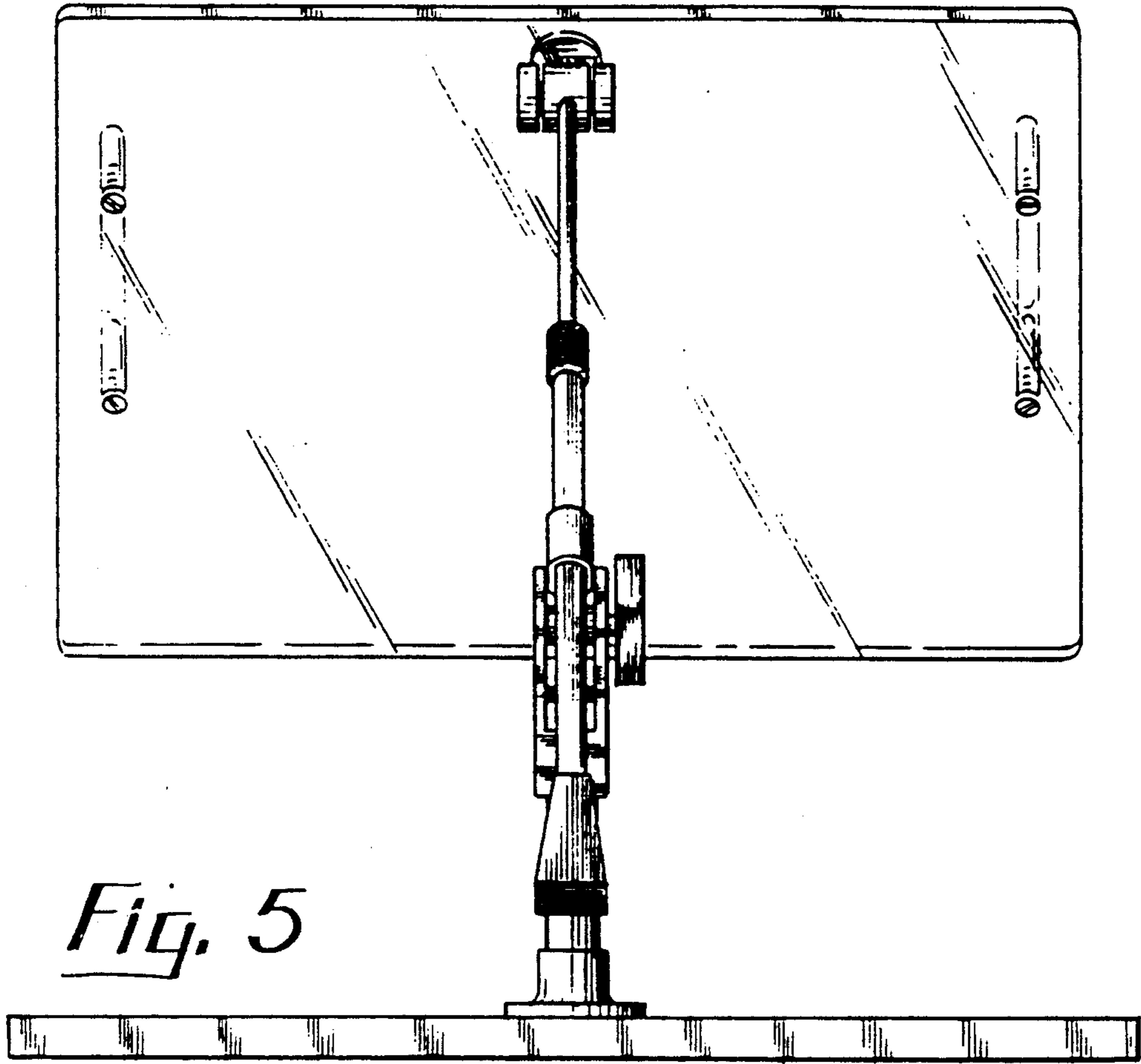
*Fig. 2*



*Fig. 3*



*Fig. 4*



*Fig. 6*

