



US00D332496S

# United States Patent [19]

[11] Patent Number: **Des. 332,496**

Martin

[45] Date of Patent: **\*\* Jan. 12, 1993**

[54] **MEDICATION BOX**

[76] Inventor: **Charlene S. Martin, 5604  
Timmerman Way, Citrus Heights,  
Calif. 95621**

[\*\*] Term: **14 Years**

[21] Appl. No.: **535,879**

[22] Filed: **Jun. 11, 1990**

[52] U.S. Cl. .... **D24/226; D24/229**

[58] Field of Search ..... **D24/226, 128, 229, 227;  
206/570; 312/295; D9/341, 423**

[56] **References Cited**

**U.S. PATENT DOCUMENTS**

- D. 269,156 5/1983 Slinkard ..... D24/128 X
- D. 280,132 8/1985 McLaughlin ..... D24/226
- D. 298,460 11/1988 Pryor ..... D24/128

**FOREIGN PATENT DOCUMENTS**

- 2739539 1/1979 Fed. Rep. of Germany ..... 206/570
- 0624620 9/1978 U.S.S.R. .... 206/570

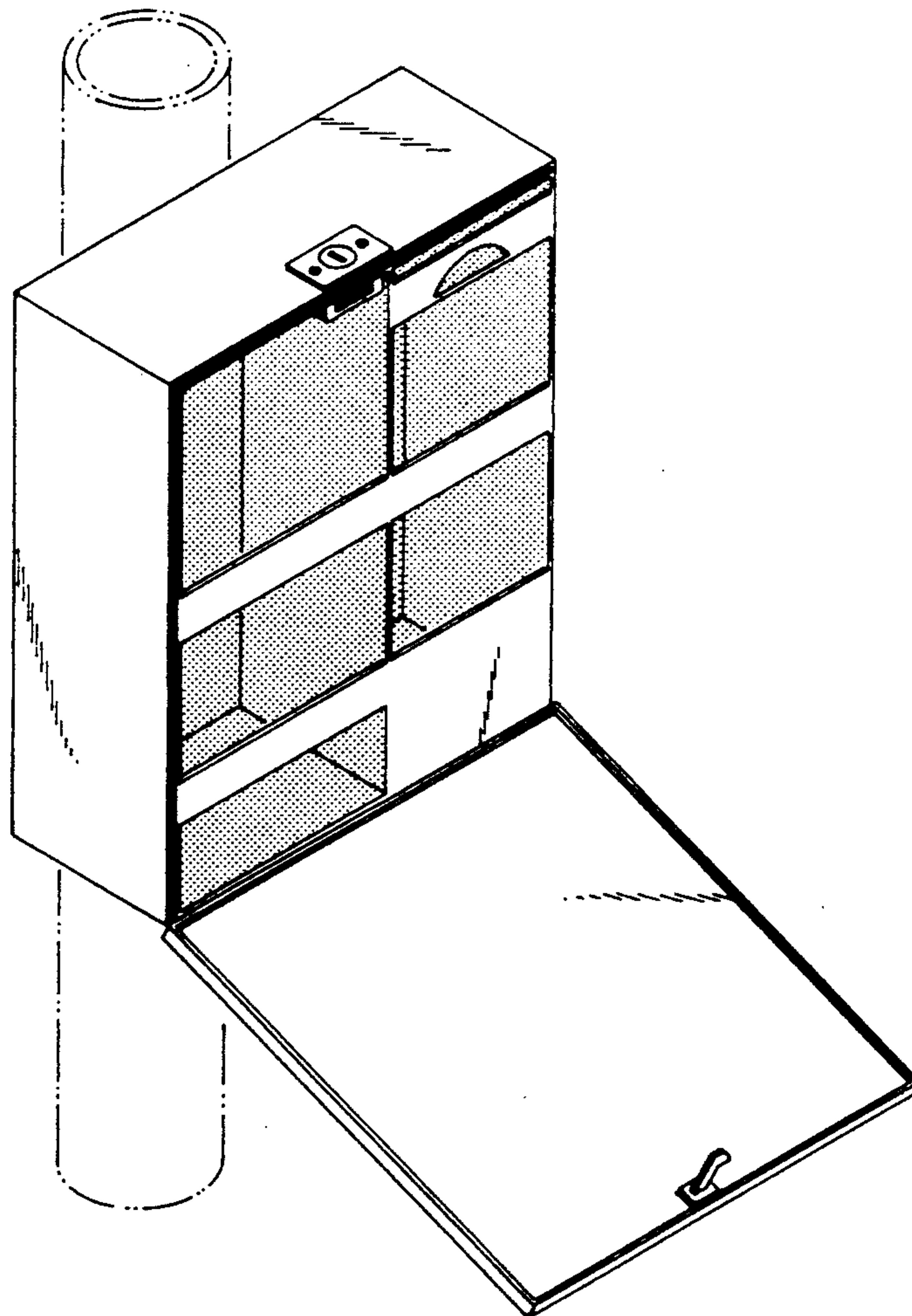
*Primary Examiner*—A. Hugo Word  
*Assistant Examiner*—I. Simmons  
*Attorney, Agent, or Firm*—Bernhard Kreten

[57] **CLAIM**

The ornamental design for medication box, as shown and described.

**DESCRIPTION**

FIG. 1 is a perspective view of a medication box showing my new design, in closed condition;  
 FIG. 2 is a perspective view thereof, with the door in open condition;  
 FIG. 3 is a front elevational view thereof with the door in closed condition;  
 FIG. 4 is a side elevational view thereof;  
 FIG. 5 is a rear elevational view thereof;  
 FIG. 6 is a top plan view thereof;  
 FIG. 7 is a bottom plan view thereof; and,  
 FIG. 8 is a side elevational view thereof opposite that shown in FIG. 4.  
 The broken line showing of the IV pole in FIGS. 1-8 is for illustrative purposes only and forms no part of the claimed design.



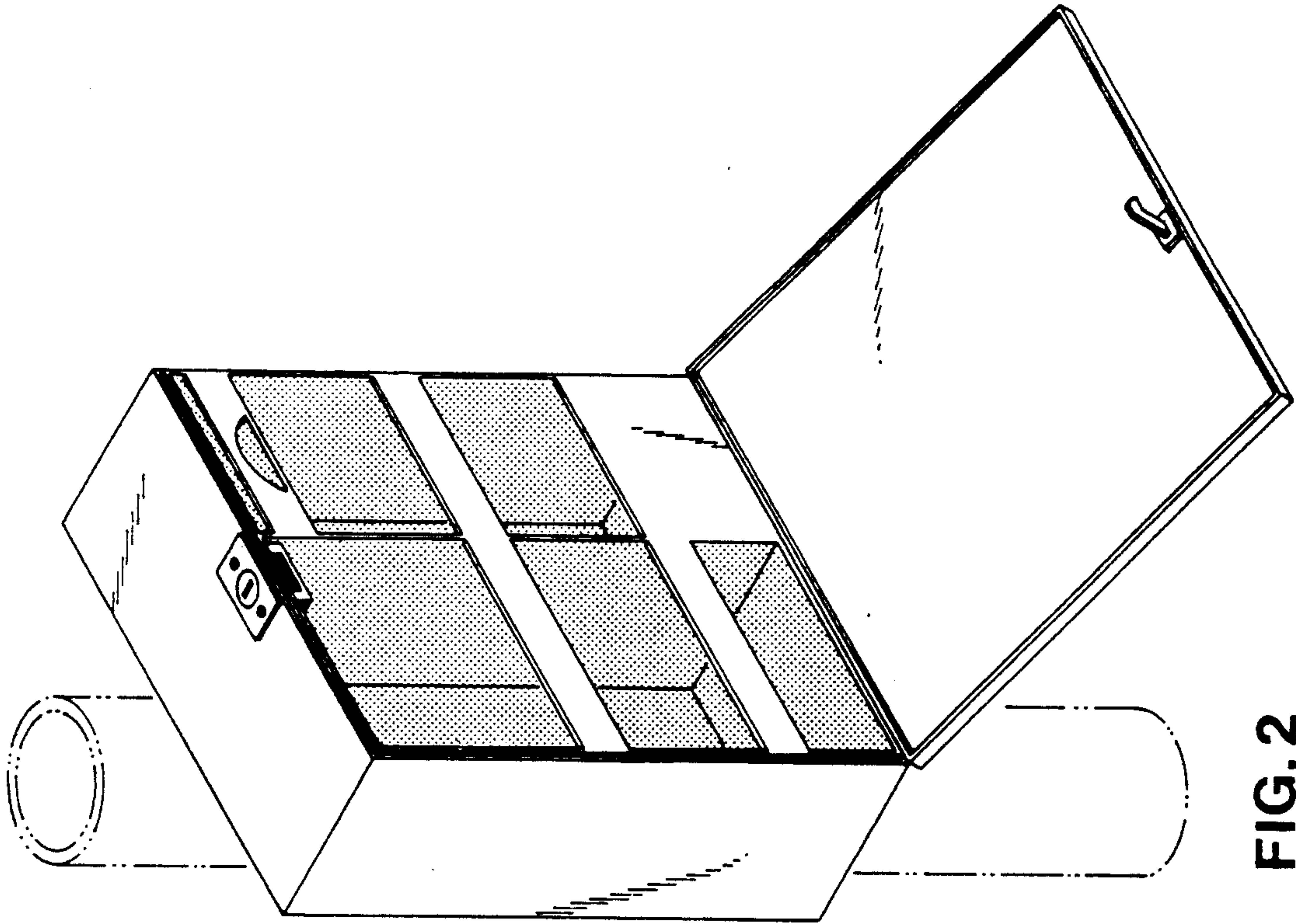


FIG. 2

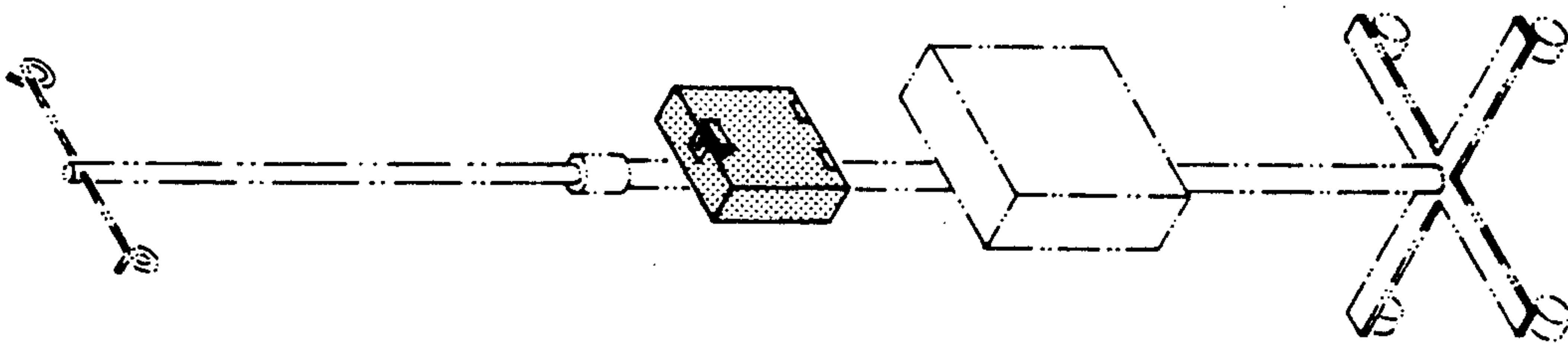


FIG. 1

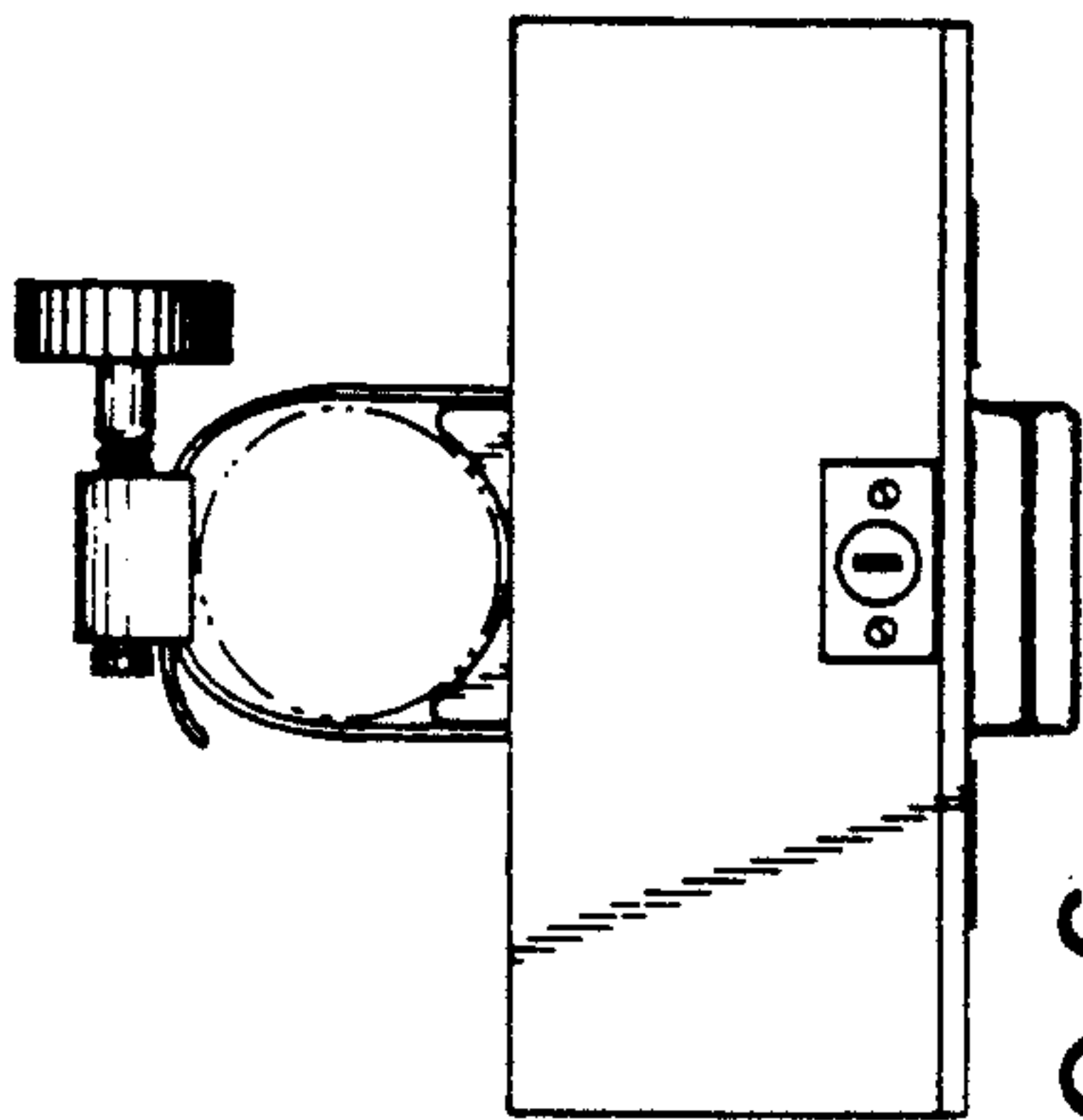


FIG. 6

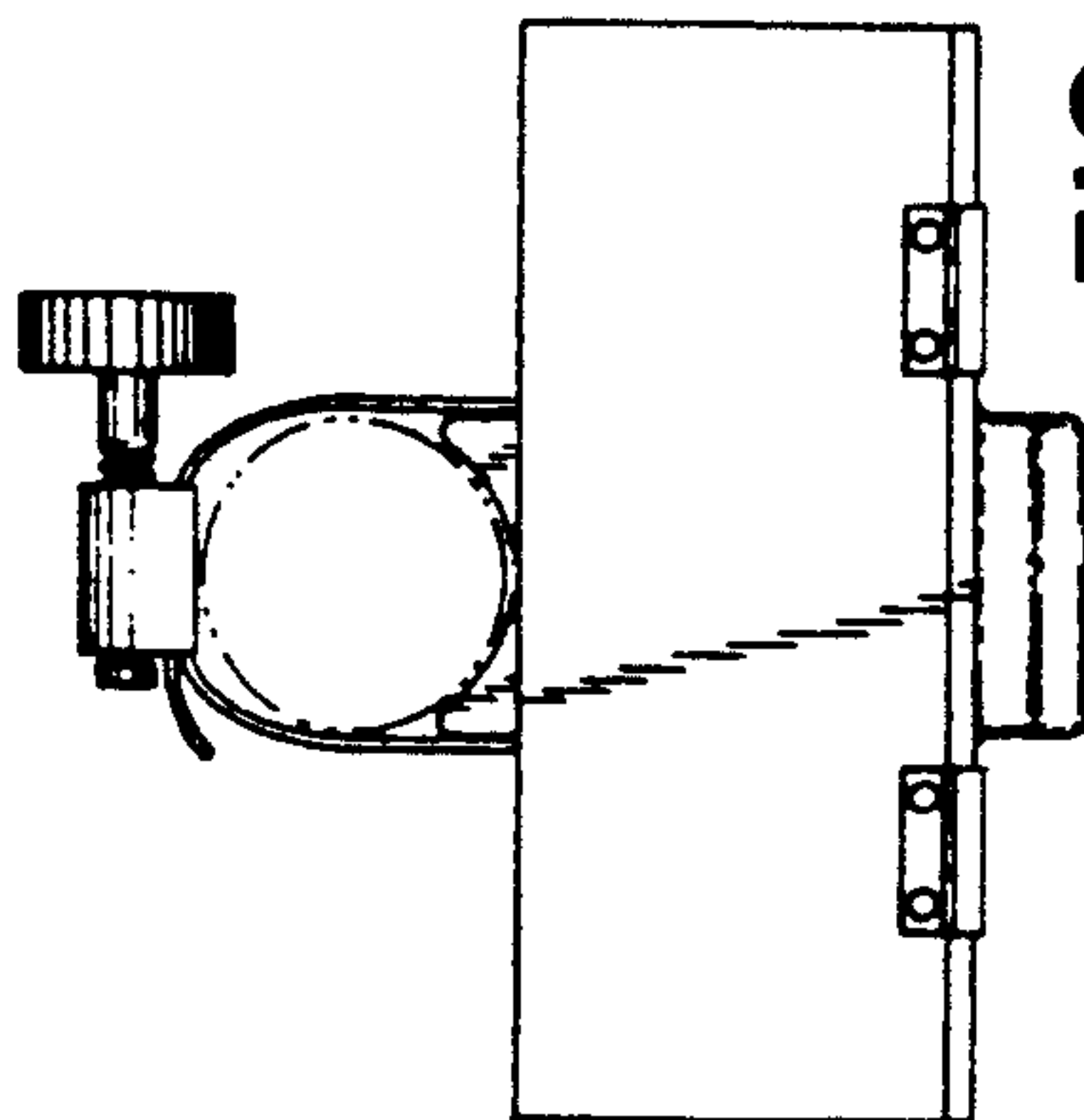


FIG. 7

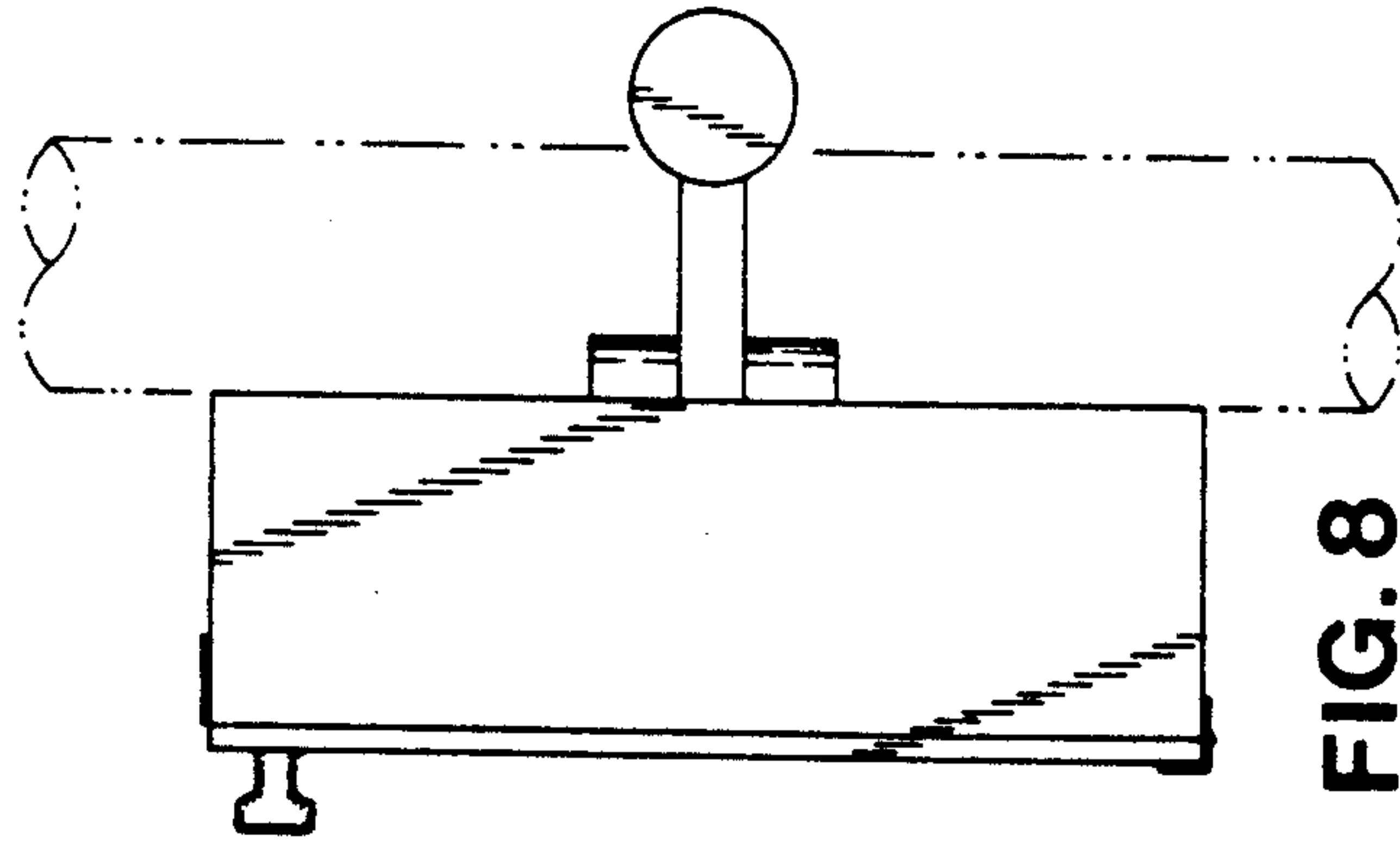


FIG. 8

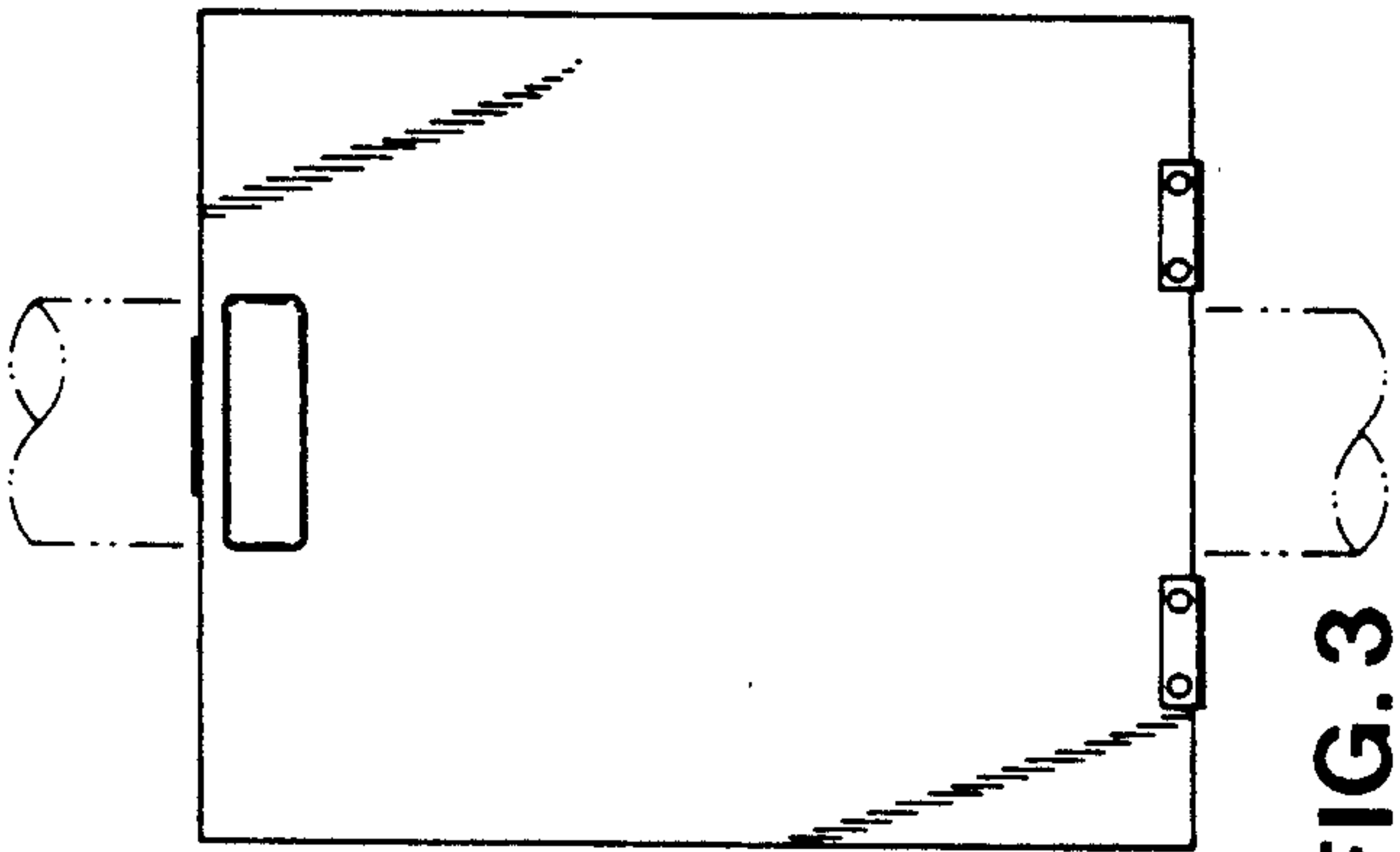


FIG. 3

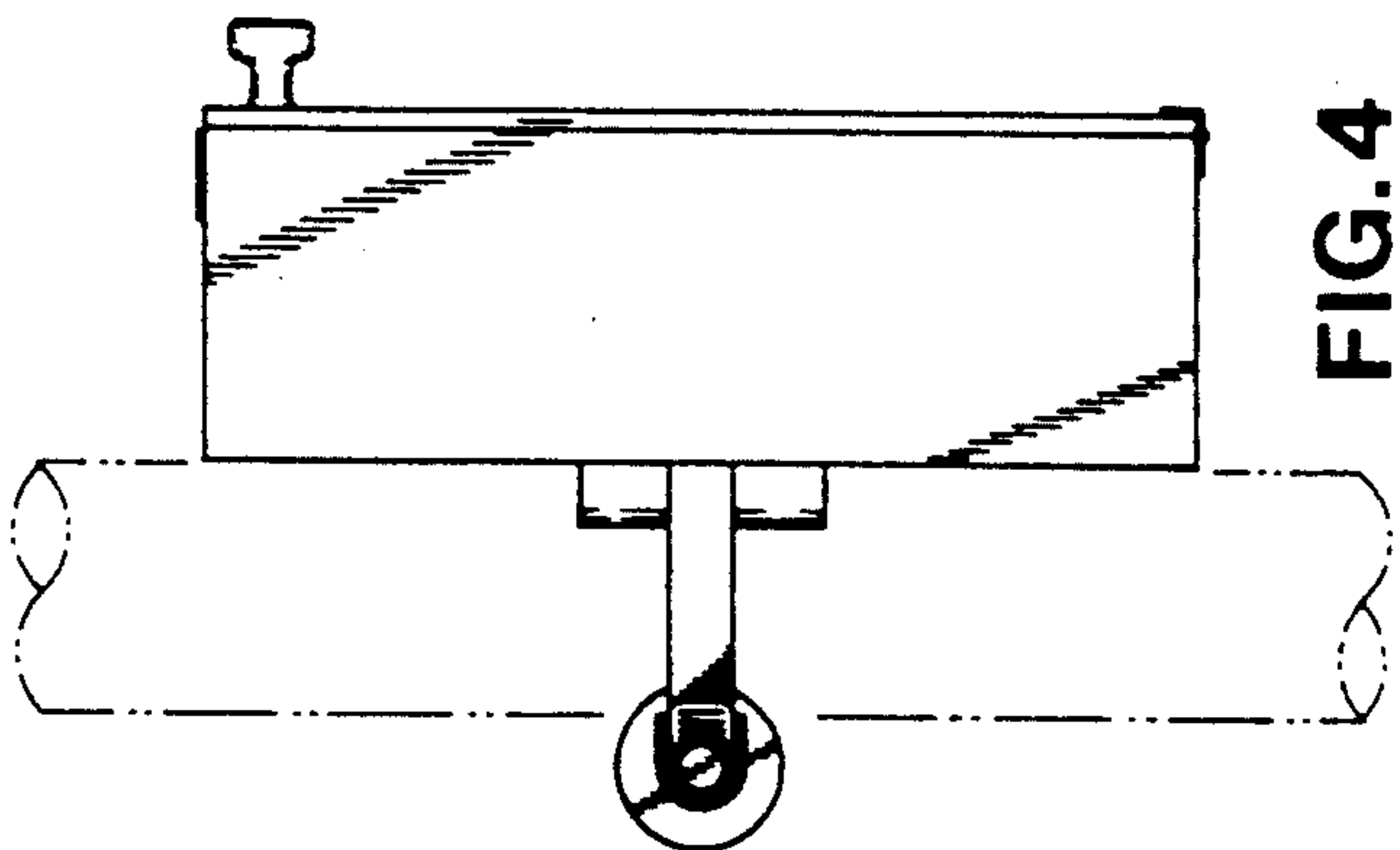


FIG. 4

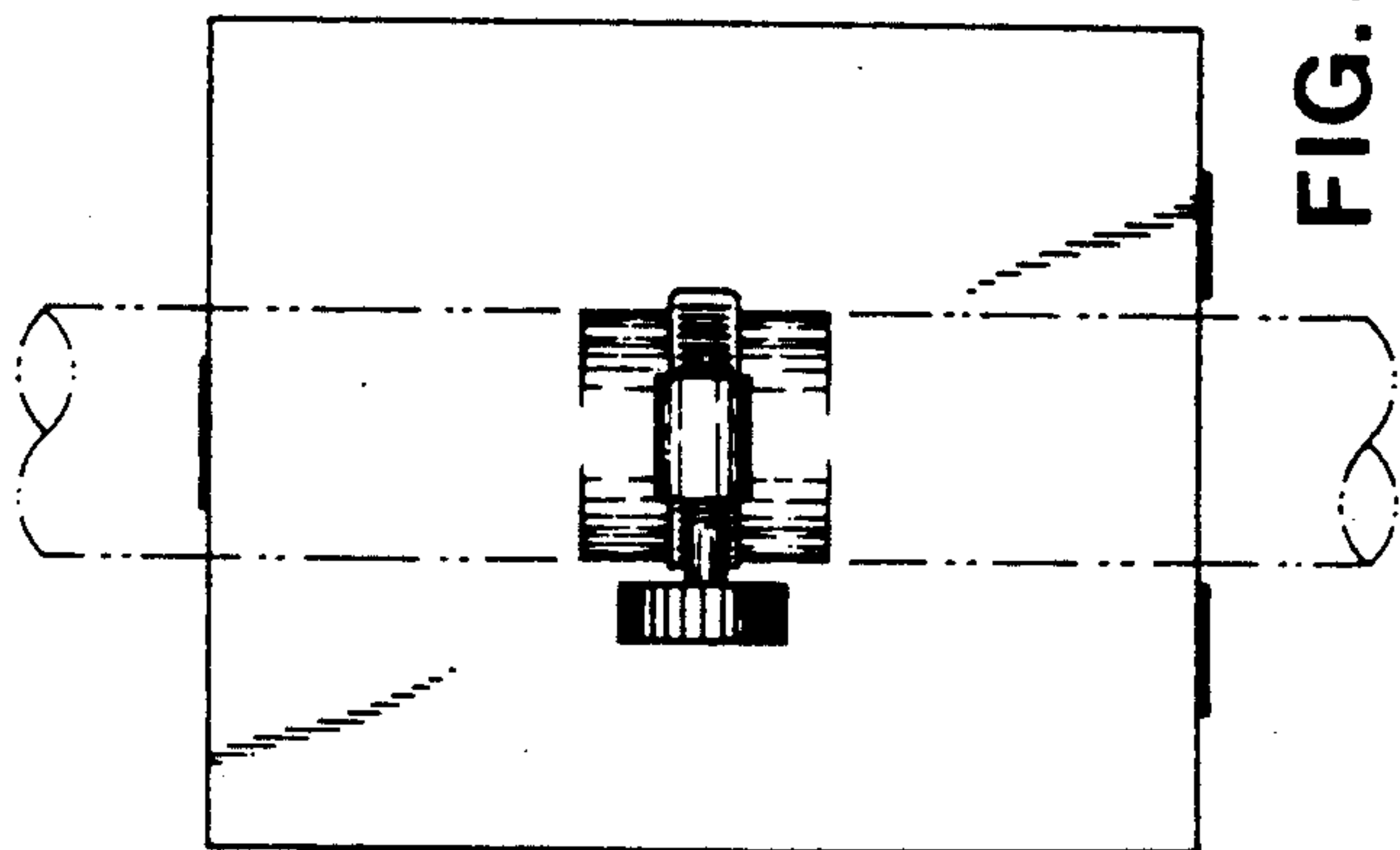


FIG. 5