



US00D332494S

United States Patent [19]

[11] Patent Number: **Des. 332,494**

Sawada et al.

[45] Date of Patent: **** Jan. 12, 1993**

[54] **CASE FOR ELECTROCARDIOGRAPH**

[75] Inventors: **Masaji Sawada; Toshiya Takahashi,**
both of Osaka, Japan

[73] Assignee: **Sharp Corporation,** Osaka, Japan

[**] Term: **14 Years**

[21] Appl. No.: **572,094**

[22] Filed: **Aug. 23, 1990**

[30] **Foreign Application Priority Data**

Feb. 16, 1990 [JP]	Japan	2-4934
[52] U.S. Cl.		D24/167
[58] Field of Search	D24/167, 169, 165, 186;	128/696, 704, 708, 710

[56] **References Cited**

U.S. PATENT DOCUMENTS

D. 326,521	5/1992	Sawada	D24/167
4,596,256	6/1986	Ascher et al.	128/710
4,624,263	11/1986	Slauin	D24/167 X
4,974,599	12/1990	Suzuki	D24/167 X

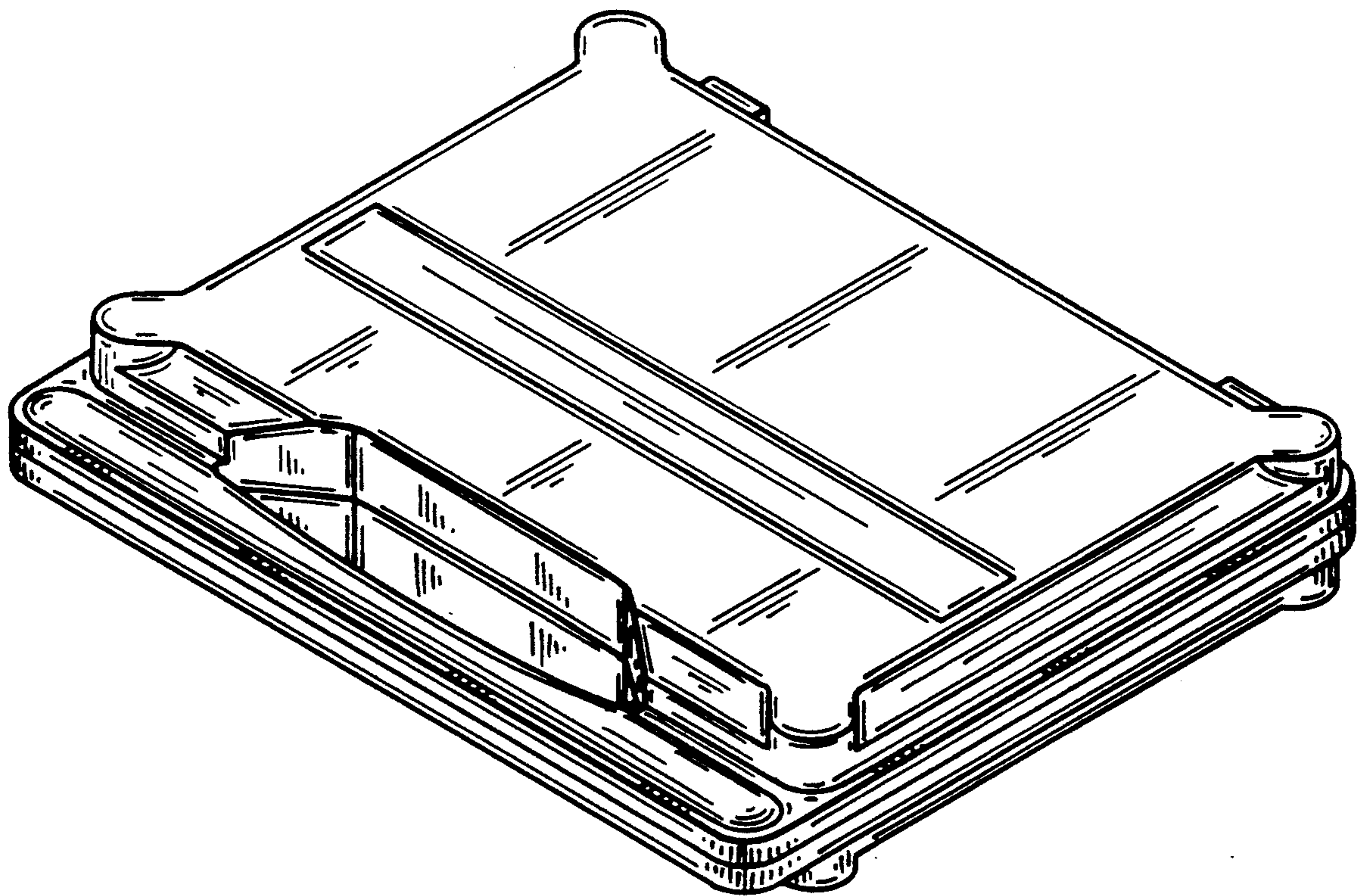
Primary Examiner—Stella Reid
Attorney, Agent, or Firm—Flehr, Hohbach, Test,
Albritton & Herbert

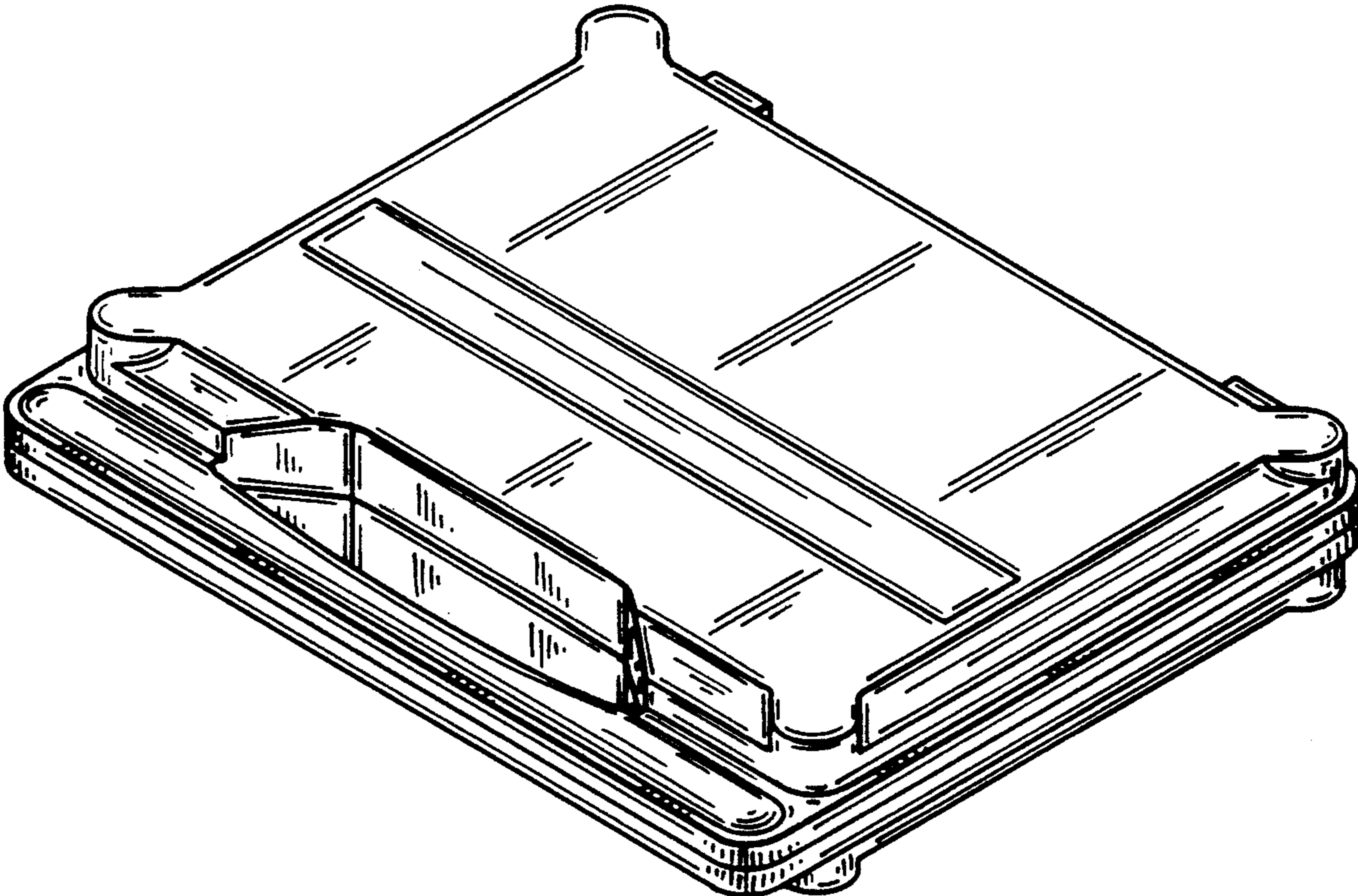
[57] **CLAIM**

The ornamental design for a case for electrocardiograph, as shown and described.

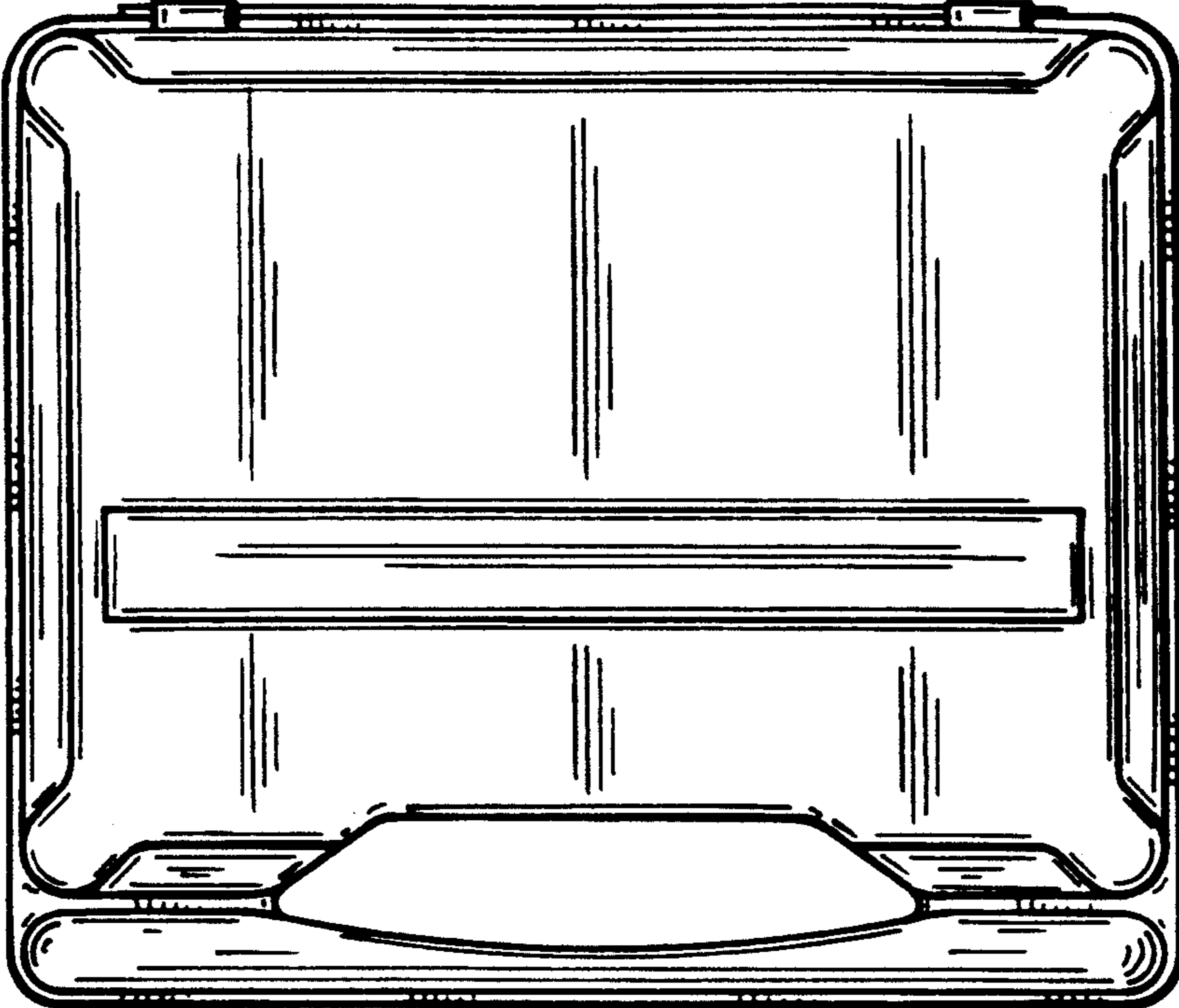
DESCRIPTION

FIG. 1 is a perspective view of a case for electrocardiograph showing our new design;
 FIG. 2 is a top plan view thereof;
 FIG. 3 is a bottom plan view thereof;
 FIG. 4 is a front elevational view thereof;
 FIG. 5 is a rear elevational view thereof;
 FIG. 6 is a right side elevational view thereof;
 FIG. 7 is a left side elevational view thereof;
 FIG. 8 is a perspective view thereof in the open position;
 FIG. 9 is a top plan view thereof in the open position;
 FIG. 10 is a right side elevational view thereof in the open position; and,
 FIG. 11 is a front elevational view thereof in the open position.

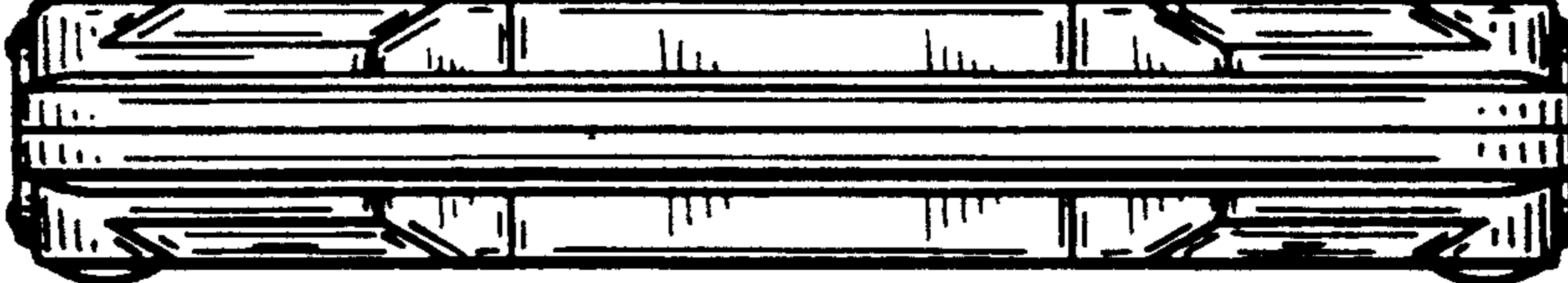




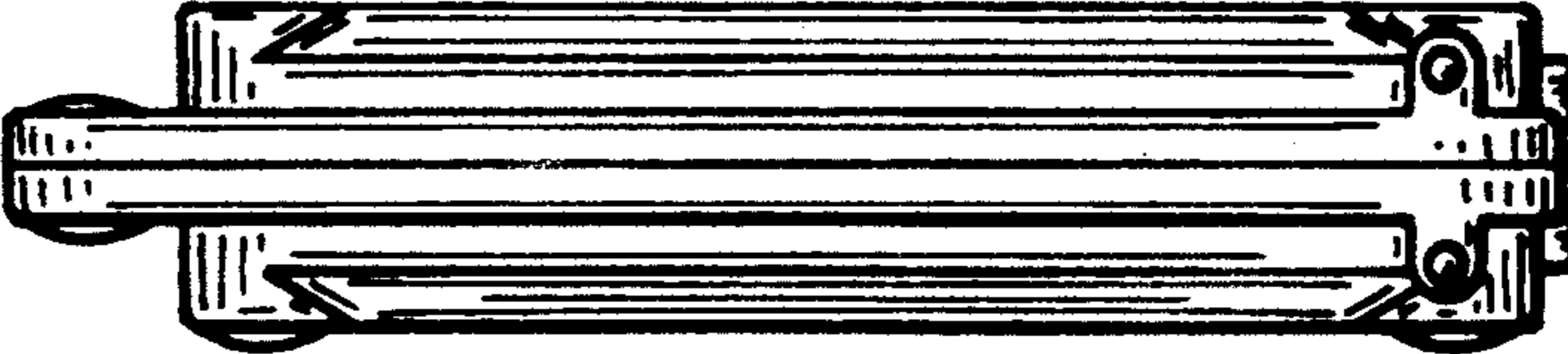
FIG_1



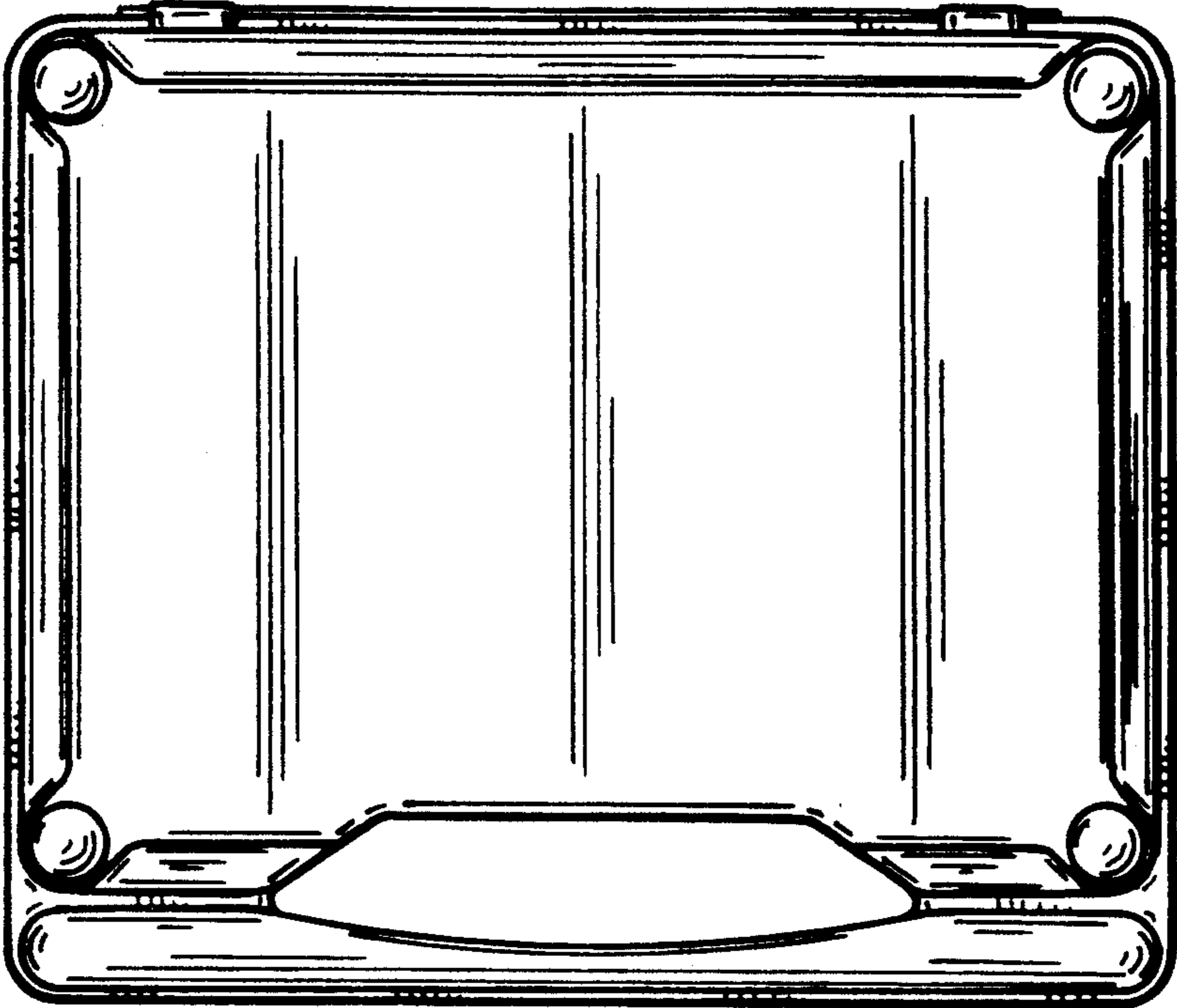
FIG_2



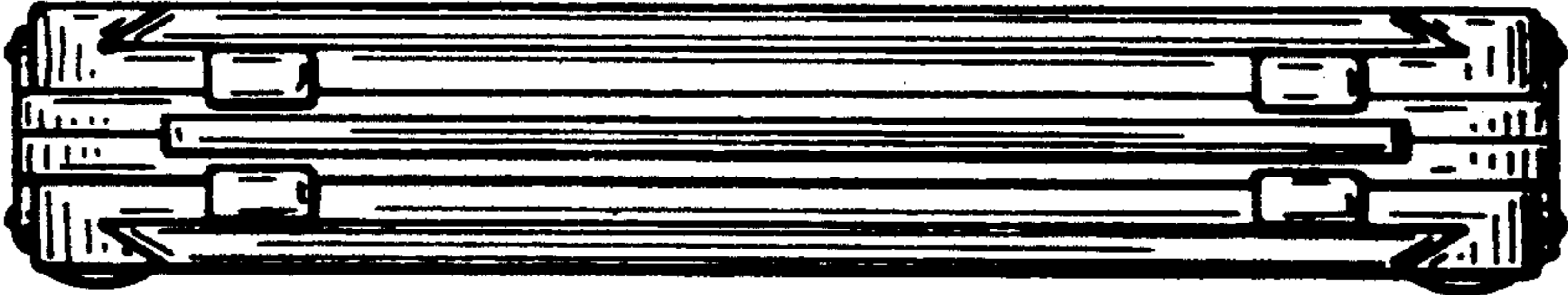
FIG_4



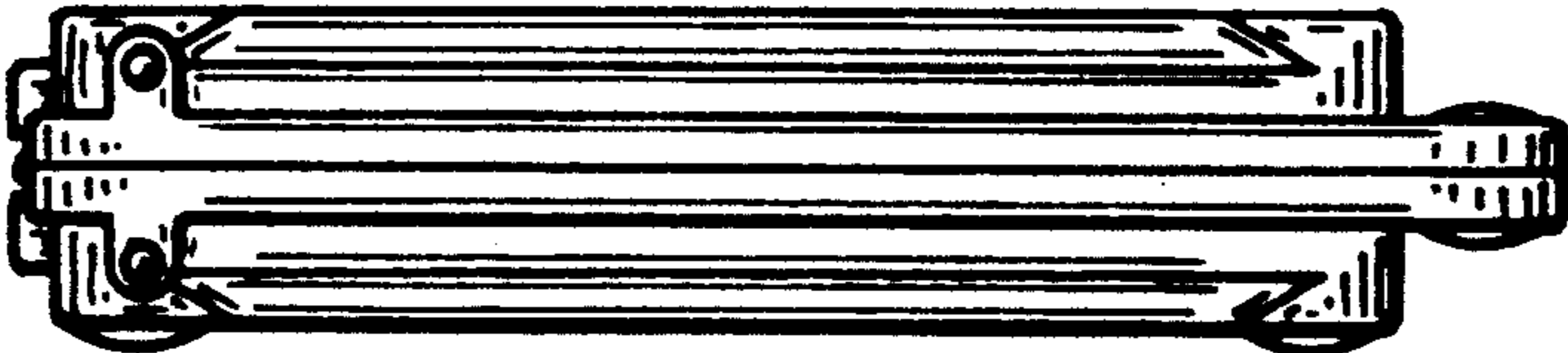
FIG_6



FIG_3



FIG_5



FIG_7

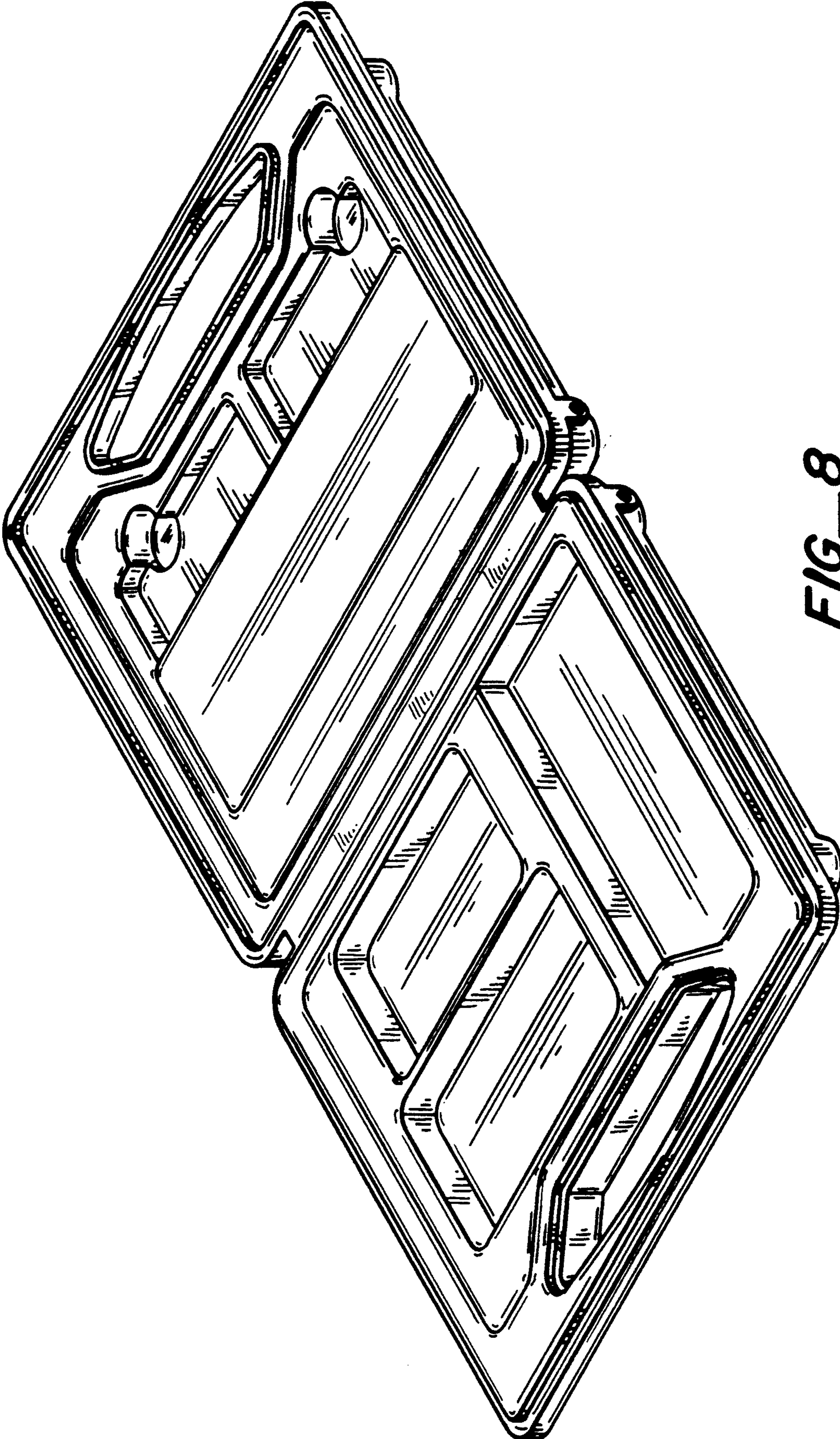
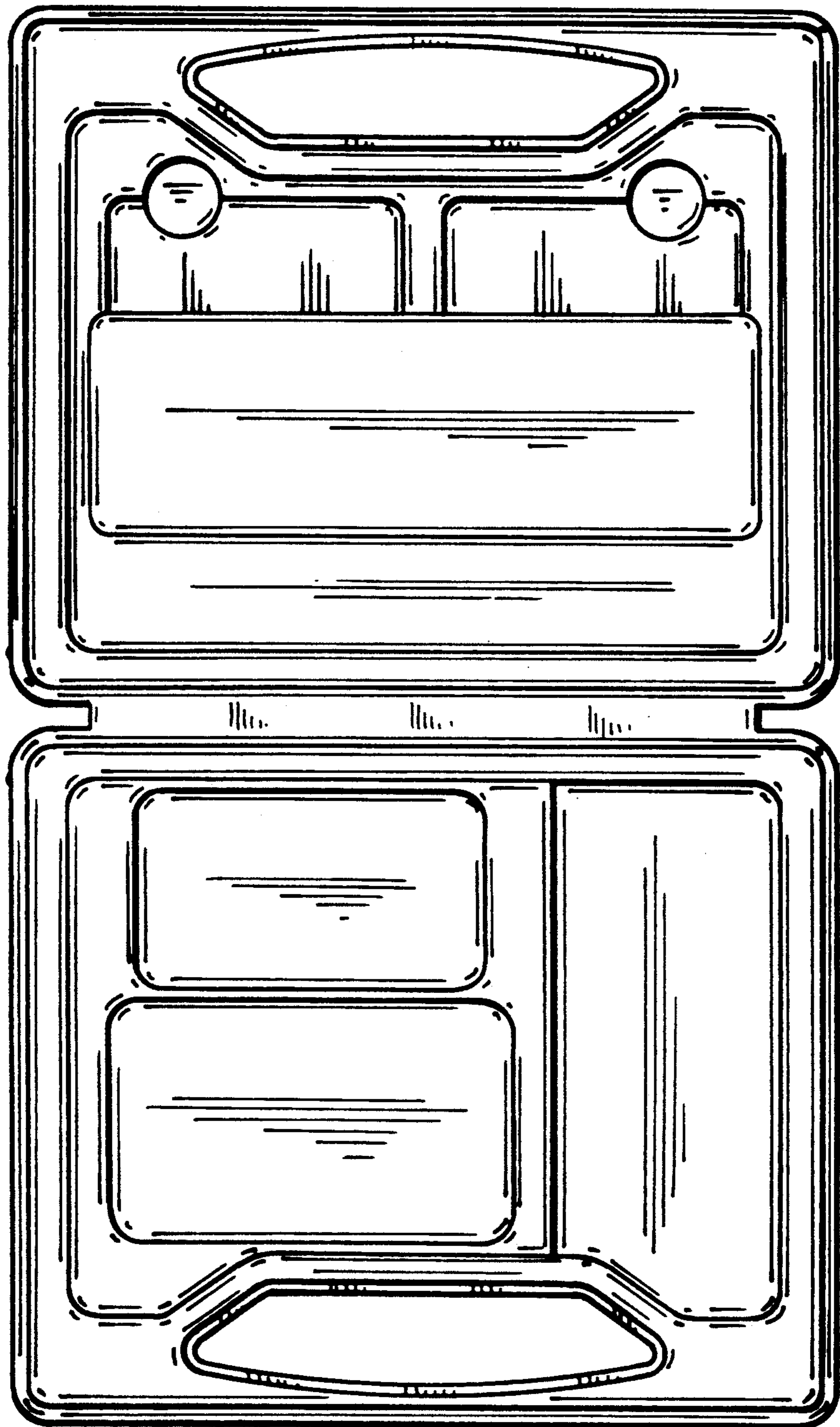


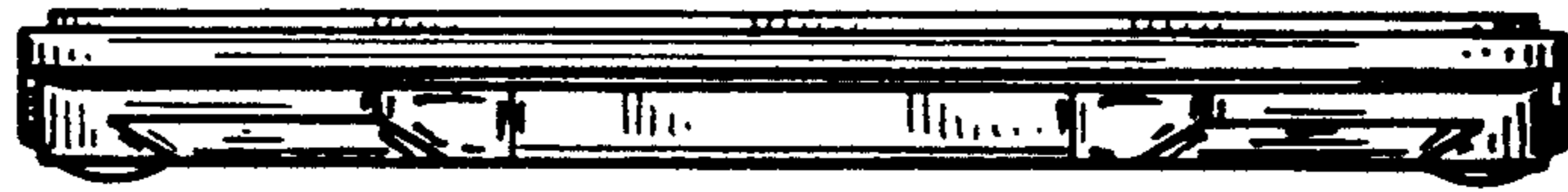
FIG-8



FIG_9



FIG_10



FIG_11