



US00D332493S

United States Patent [19]

Tsompanas

[11] Patent Number: **Des. 332,493**

[45] Date of Patent: **** Jan. 12, 1993**

[54] **COLLAPSIBLE WATER TANK FOR MEDICAL RADIATION THERAPY**

[75] Inventor: **Emmanuel C. Tsompanas, Antioch, Calif.**

[73] Assignee: **Physics Associates, Inc., Benicia, Calif.**

[**] Term: **14 Years**

[21] Appl. No.: **400,240**

[22] Filed: **Aug. 29, 1989**

[52] U.S. Cl. **D24/158; D24/232**

[58] Field of Search **D24/158; 4/506, 585; 137/375; 366/209**

[56] **References Cited**

U.S. PATENT DOCUMENTS

D. 304,235 10/1989 Chambers D24/204
3,155,092 11/1964 McNair D24/205 X
4,181,124 1/1980 Pauletich D24/205 X

Primary Examiner—Stella Reid
Attorney, Agent, or Firm—Quarles & Brady

[57] **CLAIM**

The ornamental design for a collapsible water tank for medical radiation therapy, as shown and described.

DESCRIPTION

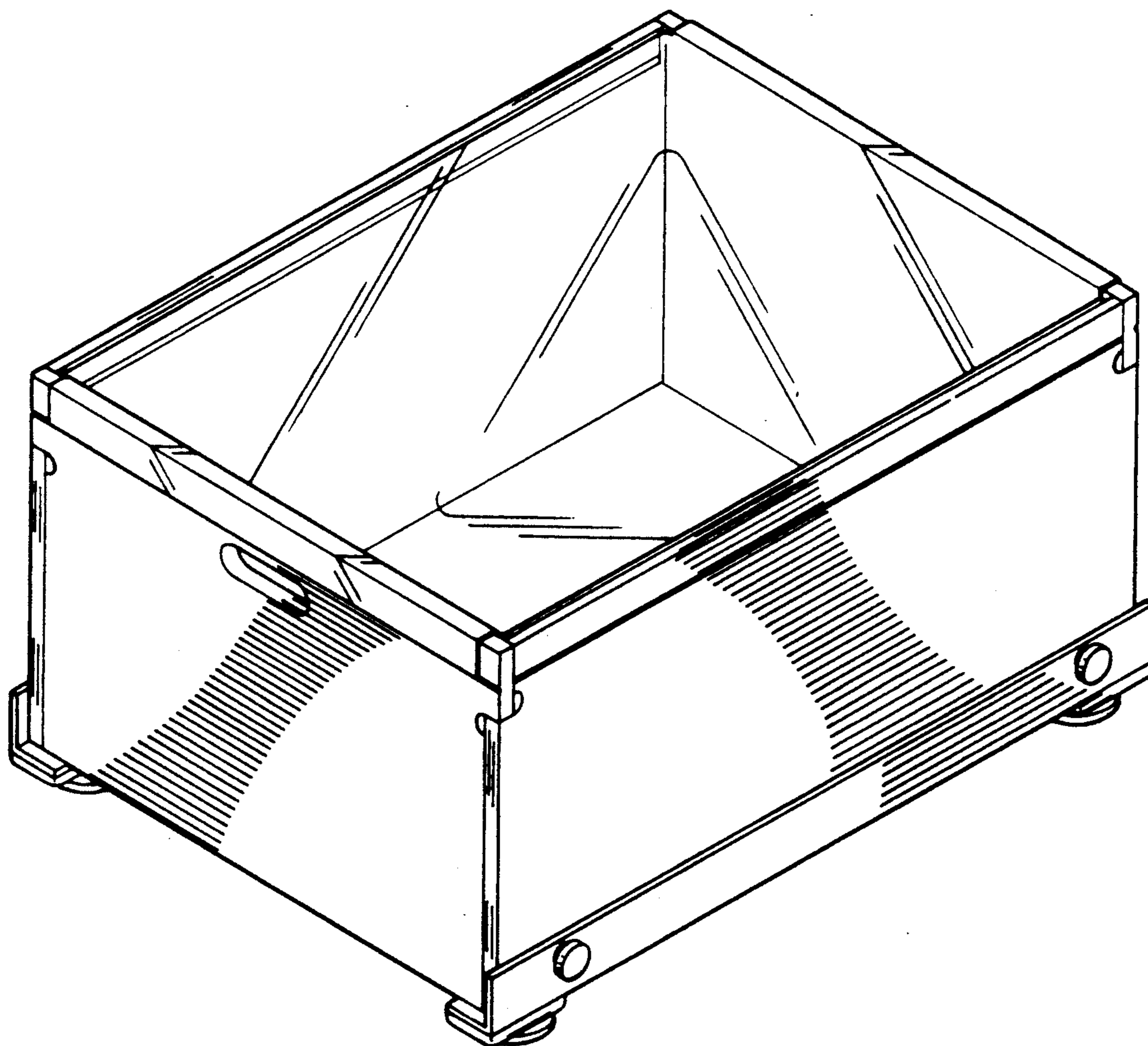
FIG. 1 is a perspective view of a collapsible water tank showing the top, the front, and one side view of my new design;

FIG. 2 is a right elevational view thereof;

FIG. 3 is a rear elevational view thereof;

FIG. 4 is a bottom plan view thereof; and,

FIG. 5 is a top plan view thereof.



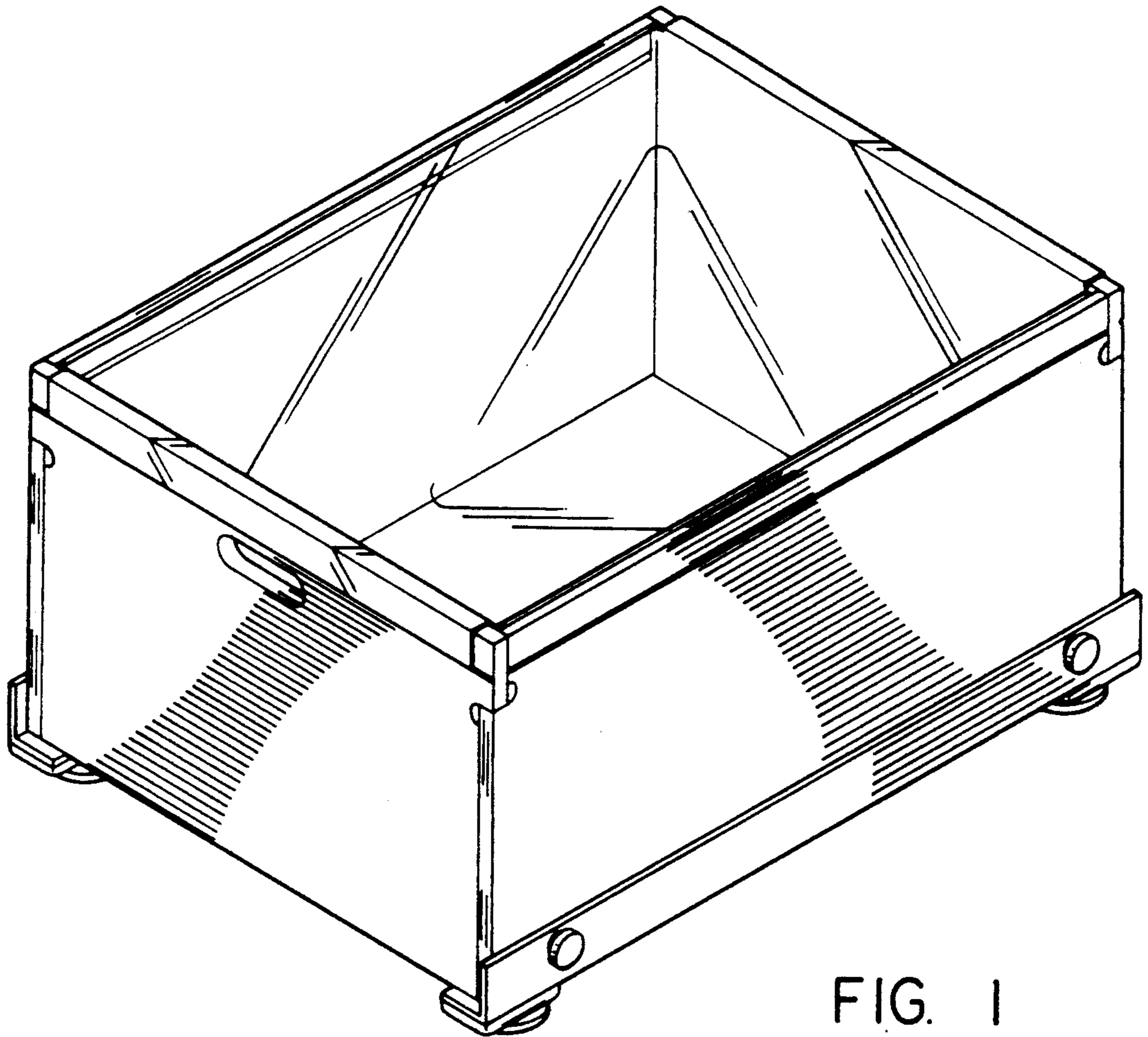
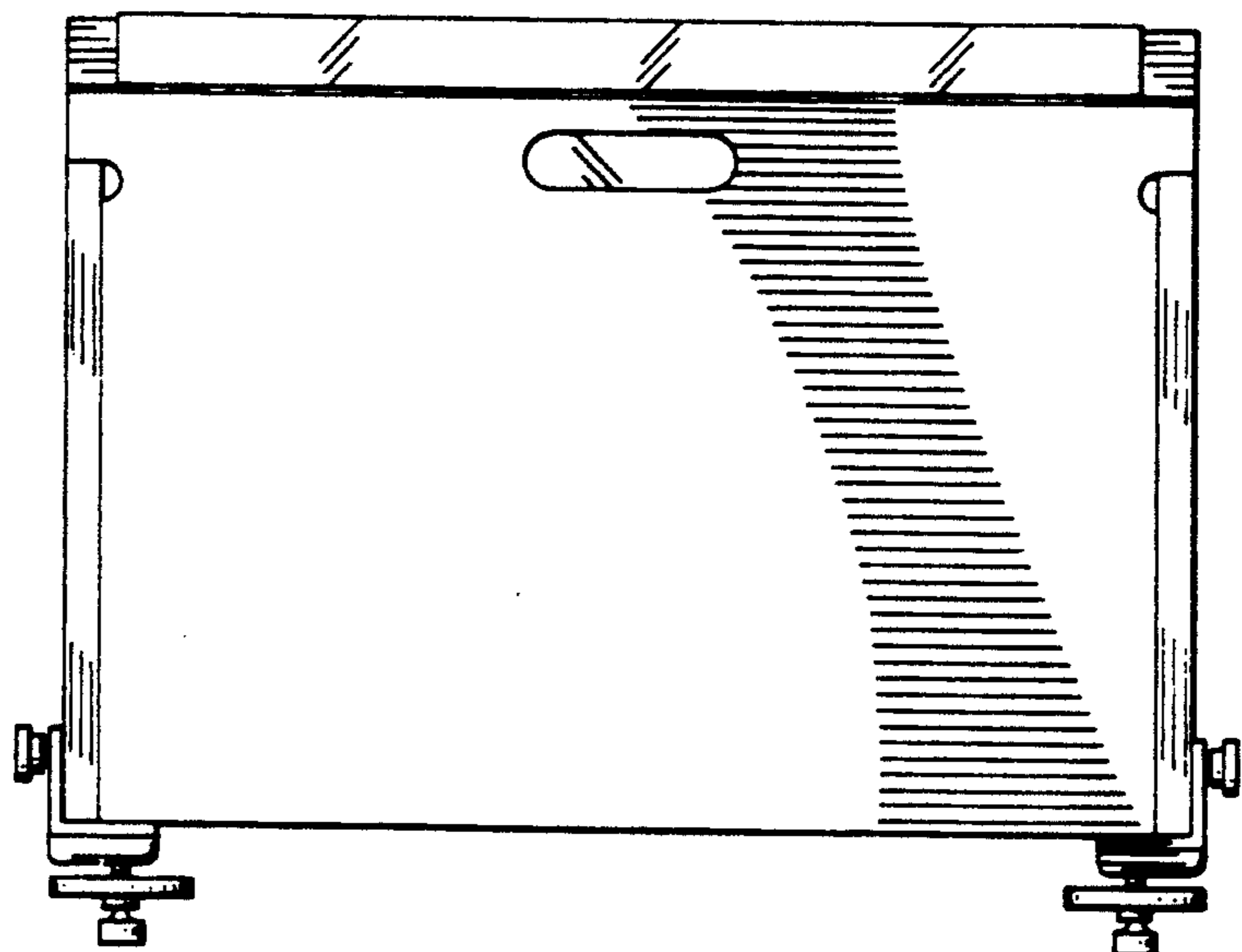


FIG. 1

FIG. 2



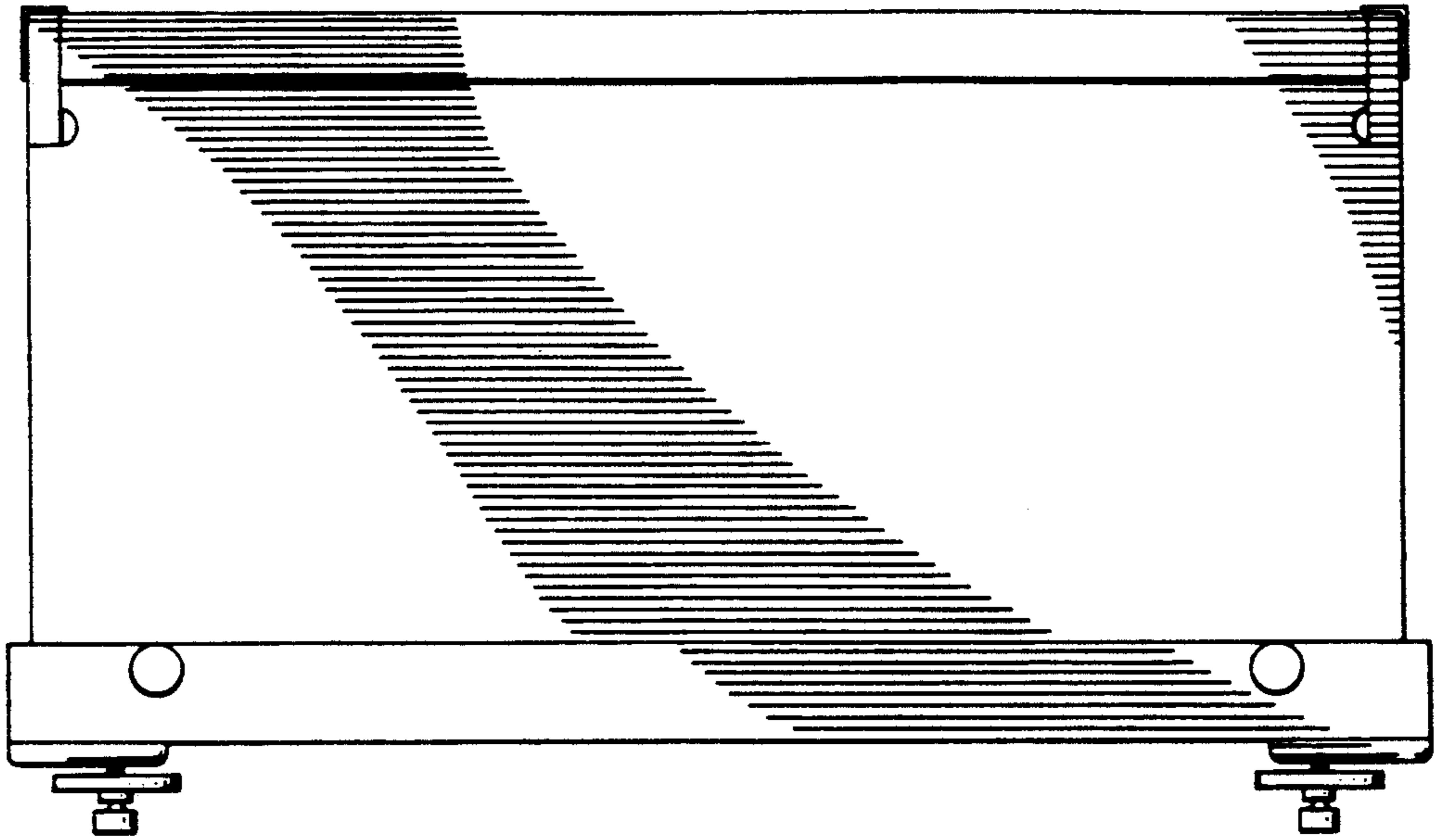


FIG. 3

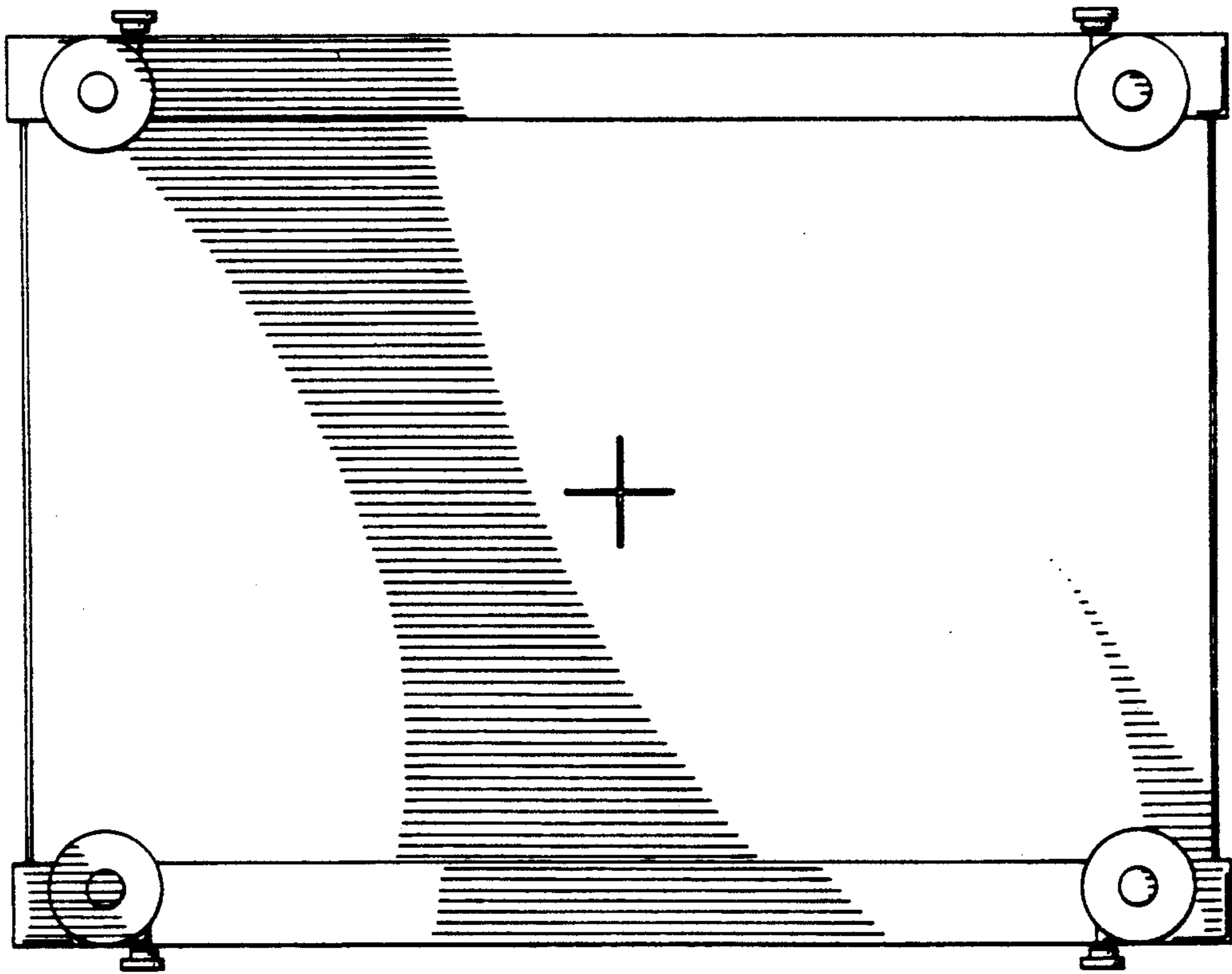


FIG. 4

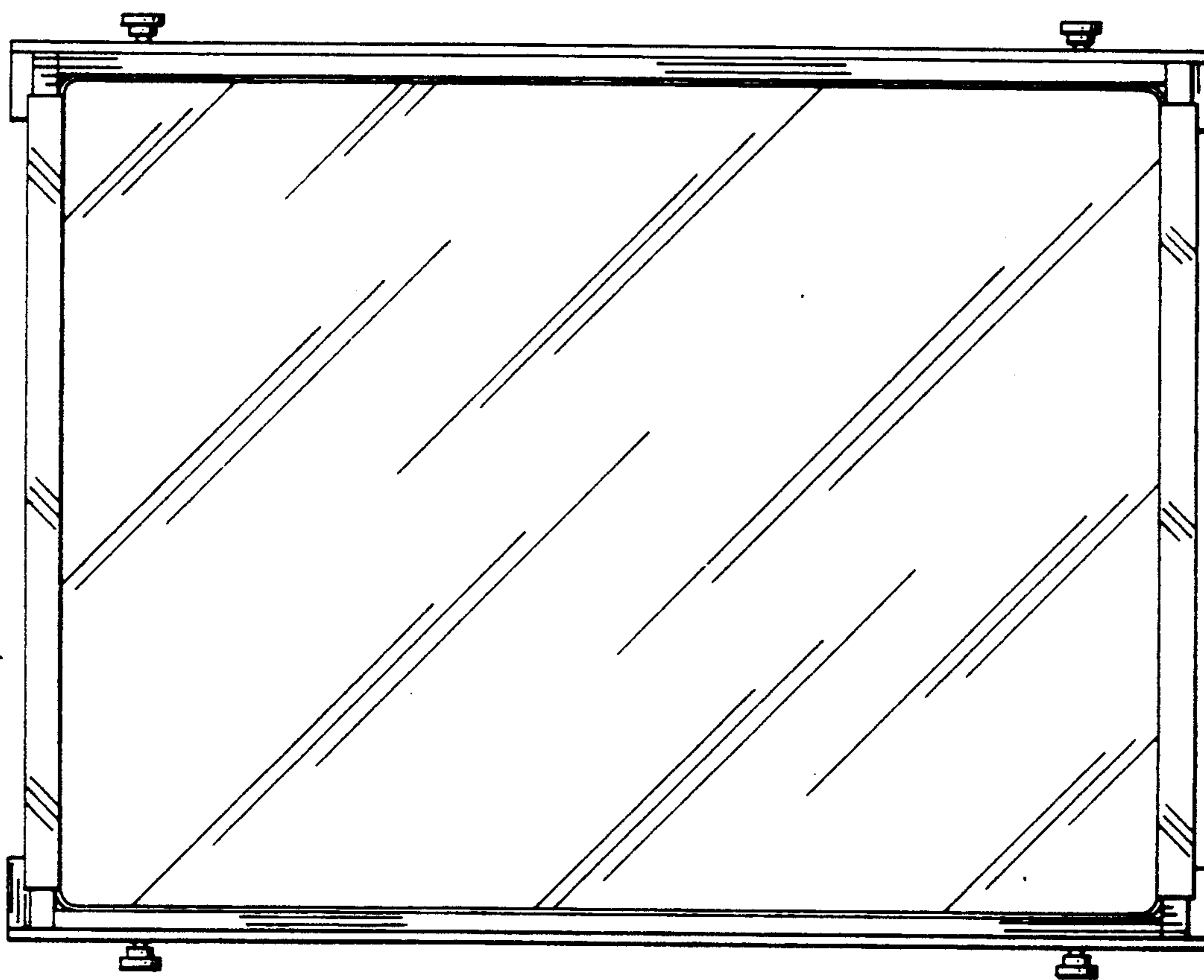


FIG. 5