



US00D332491S

# United States Patent [19]

[11] Patent Number: **Des. 332,491**

**Kraus et al.**

[45] Date of Patent: **\*\* Jan. 12, 1993**

[54] **SURGICAL CLIP APPLIER**

[75] Inventors: **Robert G. Kraus, Attleboro; Philip C. Walker, Cambridge; Joseph J. Praderio, Quincy, all of Mass.**

[73] Assignee: **Codman & Shurtleff, Inc., Randolph, Mass.**

[\*\*] Term: **14 Years**

[21] Appl. No.: **560,539**

[22] Filed: **Jul. 30, 1990**

[52] U.S. Cl. .... **D24/145**

[58] Field of Search ..... **D24/145; 227/175, 901, 227/902; 606/139, 142, 143, 144, 158**

4,450,840 5/1984 Mericle et al. .

4,478,218 10/1984 Mericle .

4,534,351 8/1985 Rothfuss et al. .

4,572,183 2/1986 Juska .

4,576,166 3/1986 Montgomery et al. .

4,662,373 5/1987 Montgomery et al. .

5,100,041 3/1992 Storace ..... 227/901 X

*Primary Examiner*—Stella Reid  
*Assistant Examiner*—I. Simmons

### [57] CLAIM

The ornamental design for a surgical clip applier, as shown and described.

### DESCRIPTION

FIG. 1 is a front side perspective view of a surgical clip applier showing our new design;

FIG. 2 is a rear, side perspective view thereof;

FIG. 3 is a side elevational view thereof;

FIG. 4 is a side elevational view from the opposite side of FIG. 3;

FIG. 5 is a top plan view thereof;

FIG. 6 is a bottom plan view thereof;

FIG. 7 is a front elevational view thereof; and,

FIG. 8 is a rear elevational view thereof.

[56] **References Cited**

**U.S. PATENT DOCUMENTS**

D. 269,459	6/1983	Butter et al. ....	D24/145
D. 271,418	11/1983	Campbell et al. ....	D24/145
D. 272,647	2/1984	Warman et al. ....	D24/145
D. 278,656	4/1985	Green et al. ....	D24/145
3,780,416	12/1973	Rider .	
4,109,844	8/1978	Becht .	
4,427,008	1/1984	Transue .	

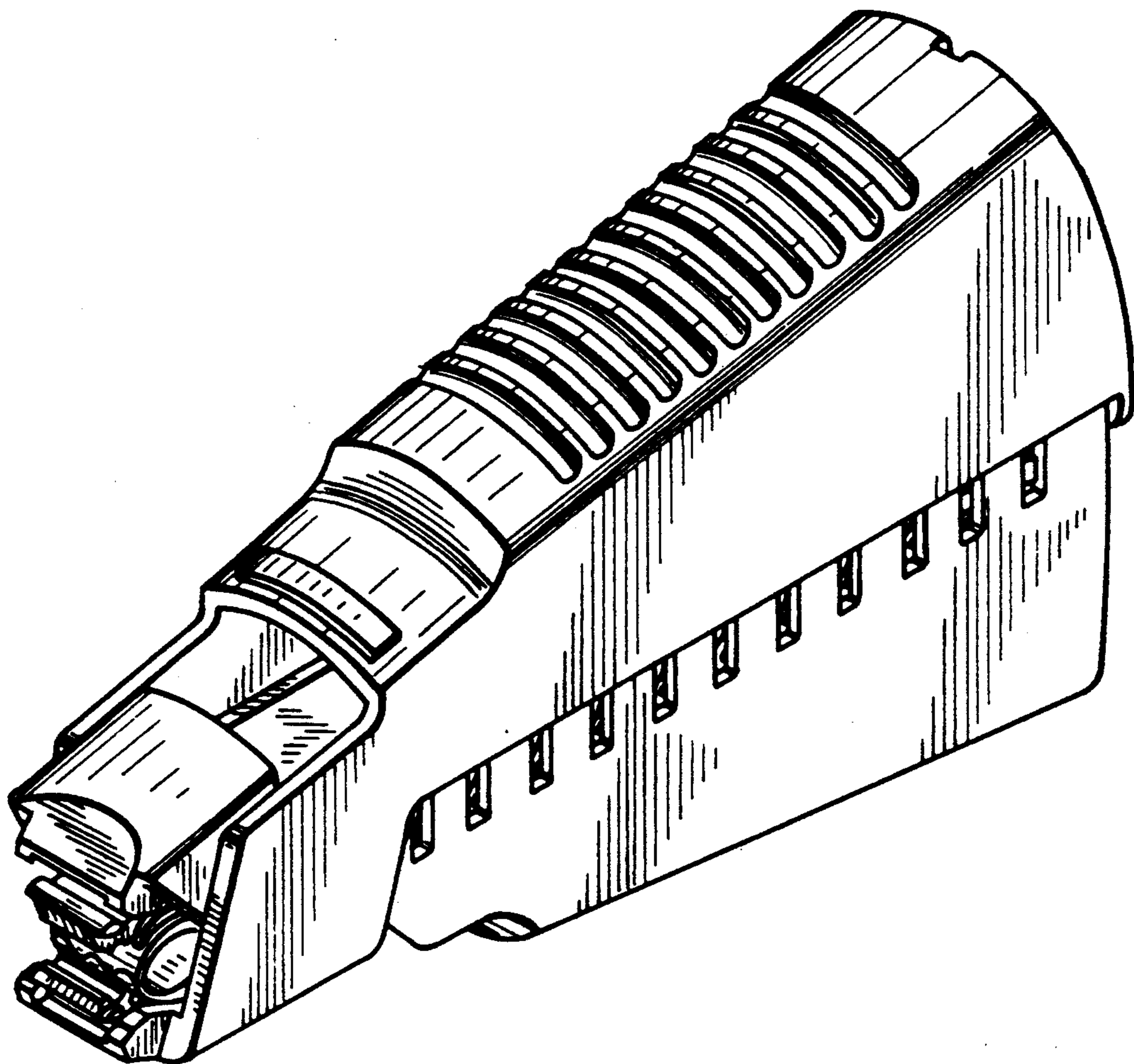


FIG. 1

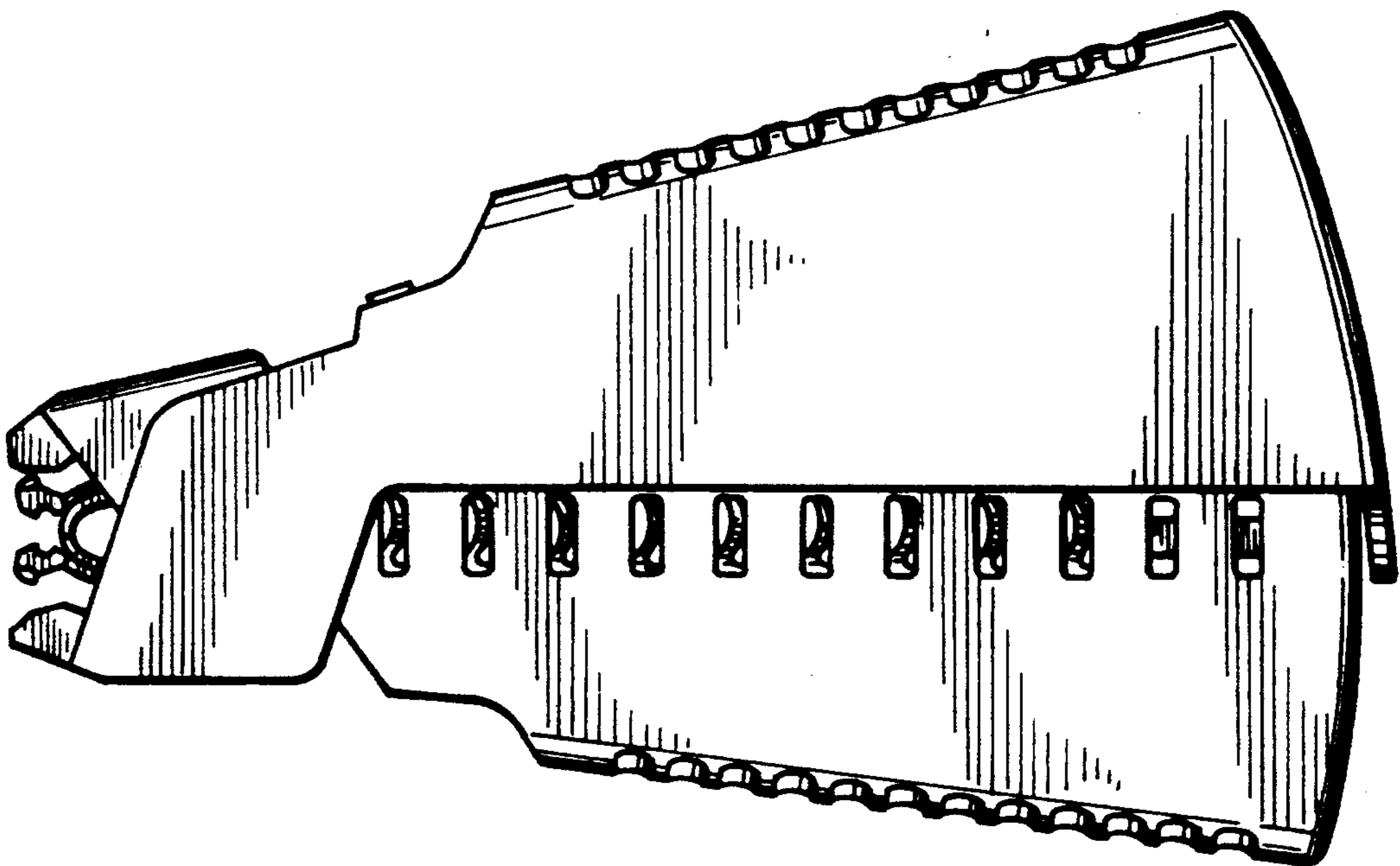
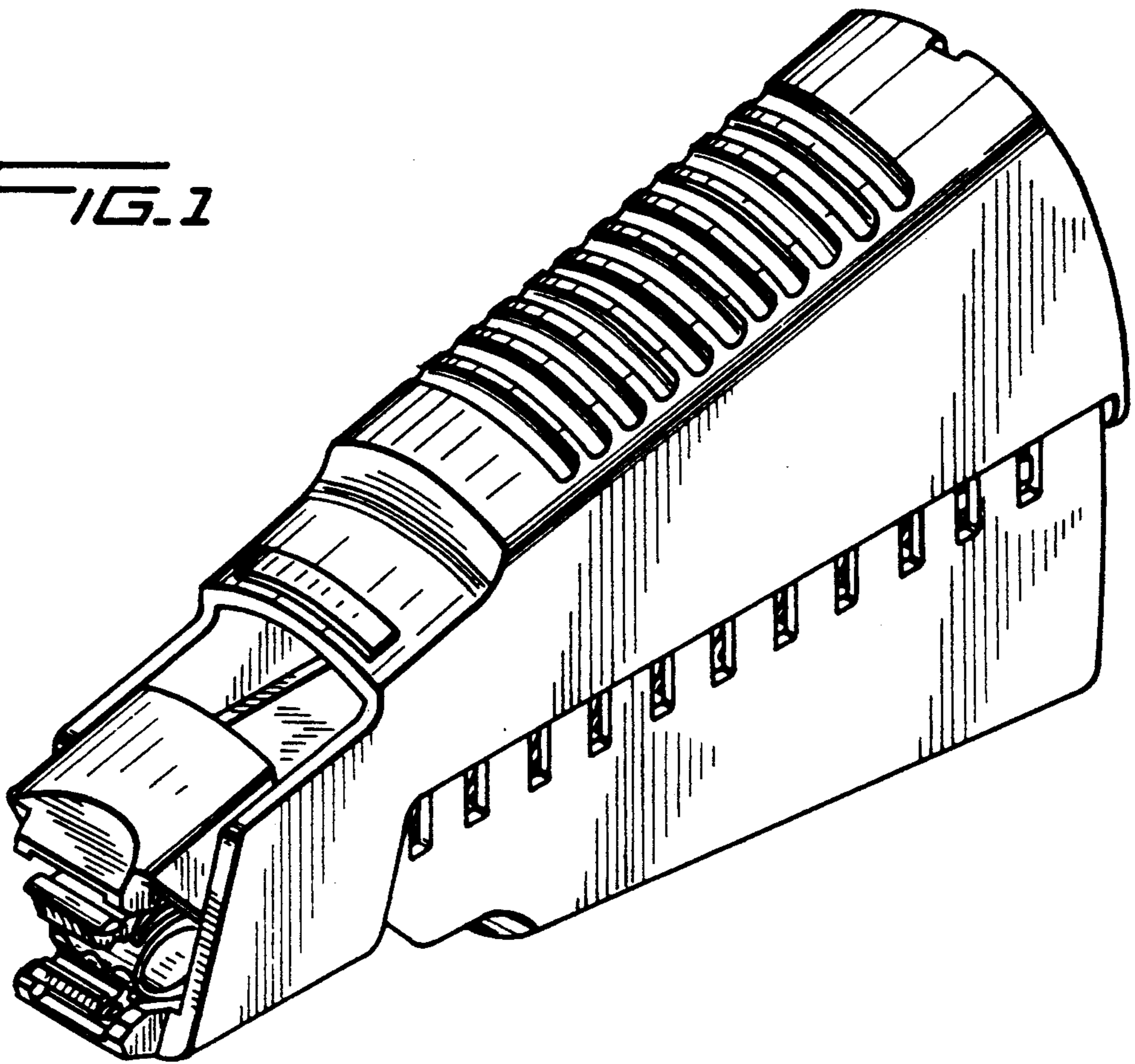


FIG. 3

FIG. 2

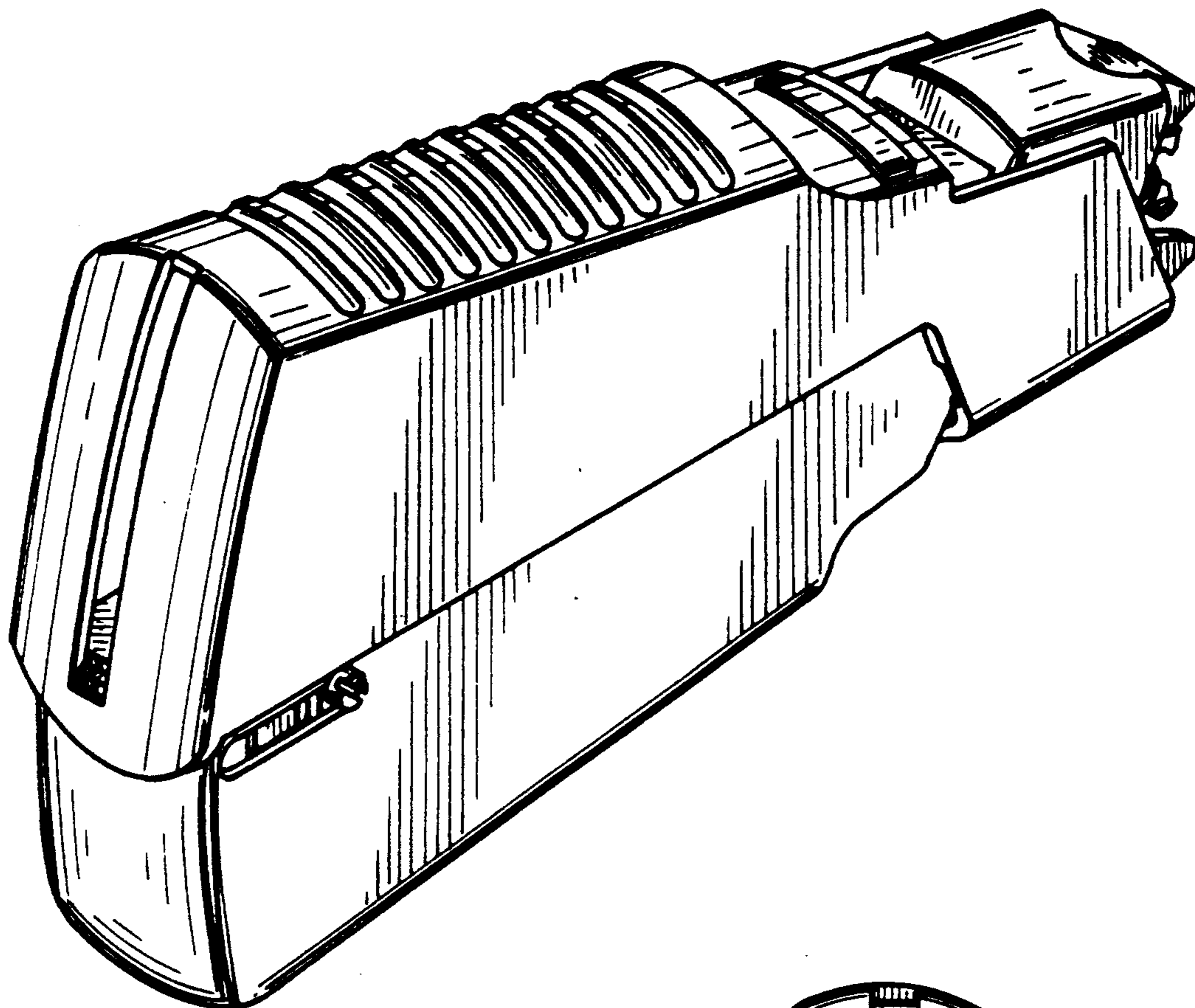
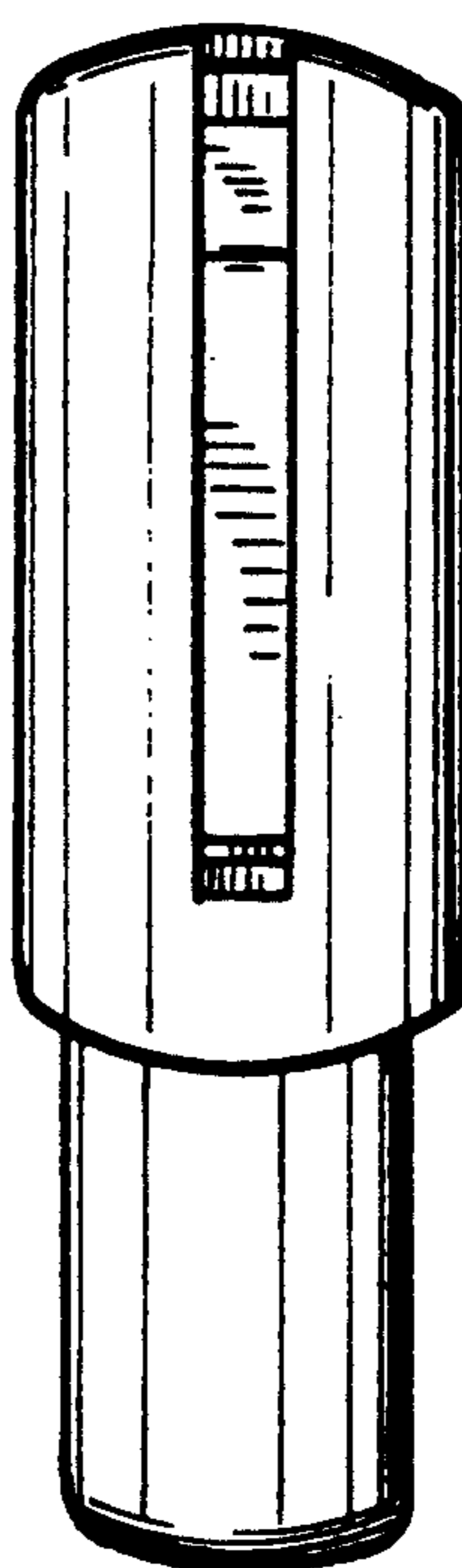


FIG. 8



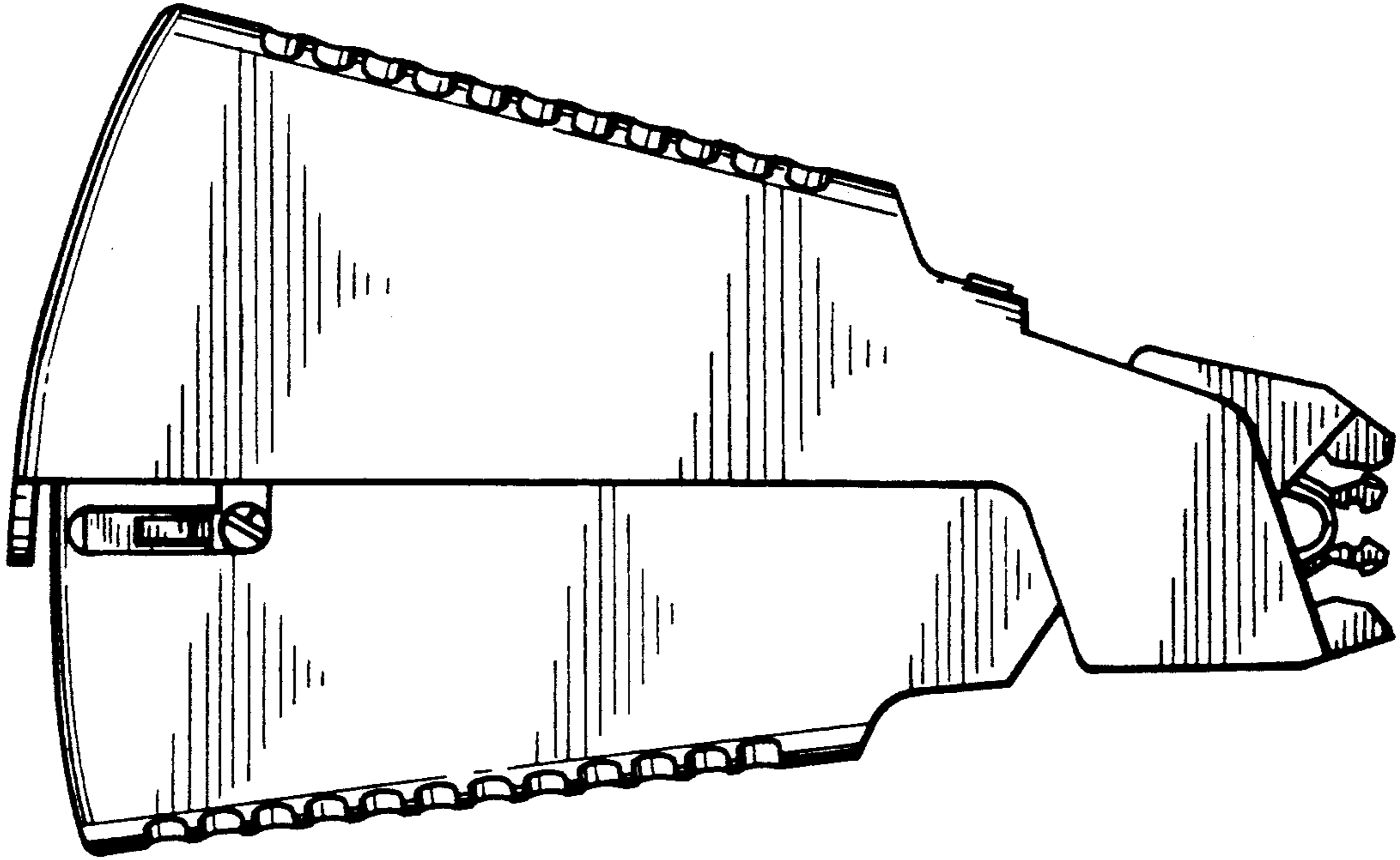


FIG. 4



FIG. 5

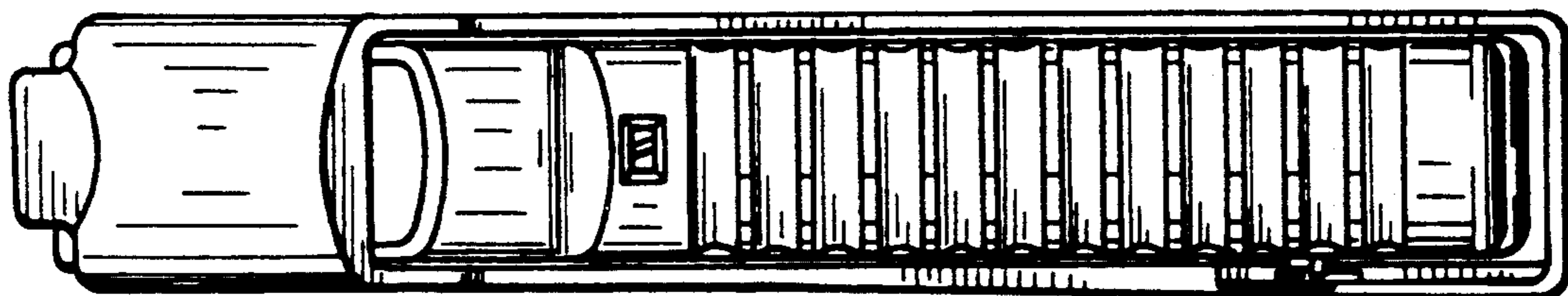


FIG. 6

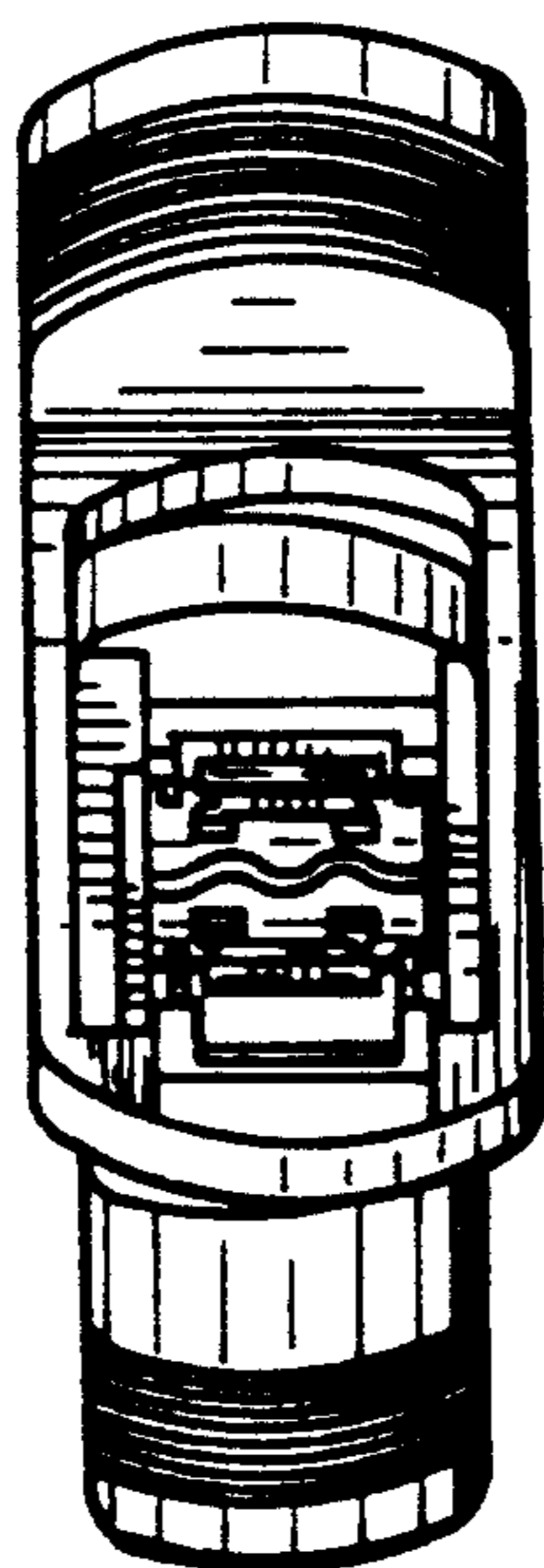


FIG. 7