

[54] TOILET ACCESSORY FOR REMOVING ODOROUS AIR

4,434,938 3/1984 Rosenkrantz 239/274

[76] Inventor: Thomas R. Bevan, R.D. #1 Valley View Rd., Pulaski, Pa. 16143

FOREIGN PATENT DOCUMENTS

394070 11/1965 Switzerland 4/213

[**] Term: 14 Years

Primary Examiner—Wallace R. Burke
Assistant Examiner—Lisa Lichtenstein
Attorney, Agent, or Firm—Terry M. Gernstein

[21] Appl. No.: 638,661

[57] CLAIM

[22] Filed: Jan. 8, 1991

The ornamental design for a toilet accessory for removing odorous air, as shown.

[52] U.S. Cl. D23/366

[58] Field of Search D23/366-369;
4/213, 214, 347-352, 216, 217; 422/123;
239/57, 58, 59; 206/0.5

DESCRIPTION

[56] References Cited

U.S. PATENT DOCUMENTS

D. 316,787	5/1991	Kelly	D6/515
1,819,521	8/1931	Root	D23/366
2,851,696	9/1958	Schotthoefer	4/216
3,681,790	8/1972	Dooley	4/216
3,763,505	10/1973	Zimmerman	4/213
4,175,293	11/1979	Stephens et al.	4/213

FIG. 1 is a top, front and left side perspective view of a toilet accessory for removing odorous air showing my new design;

FIG. 2 is a front elevation view thereof;

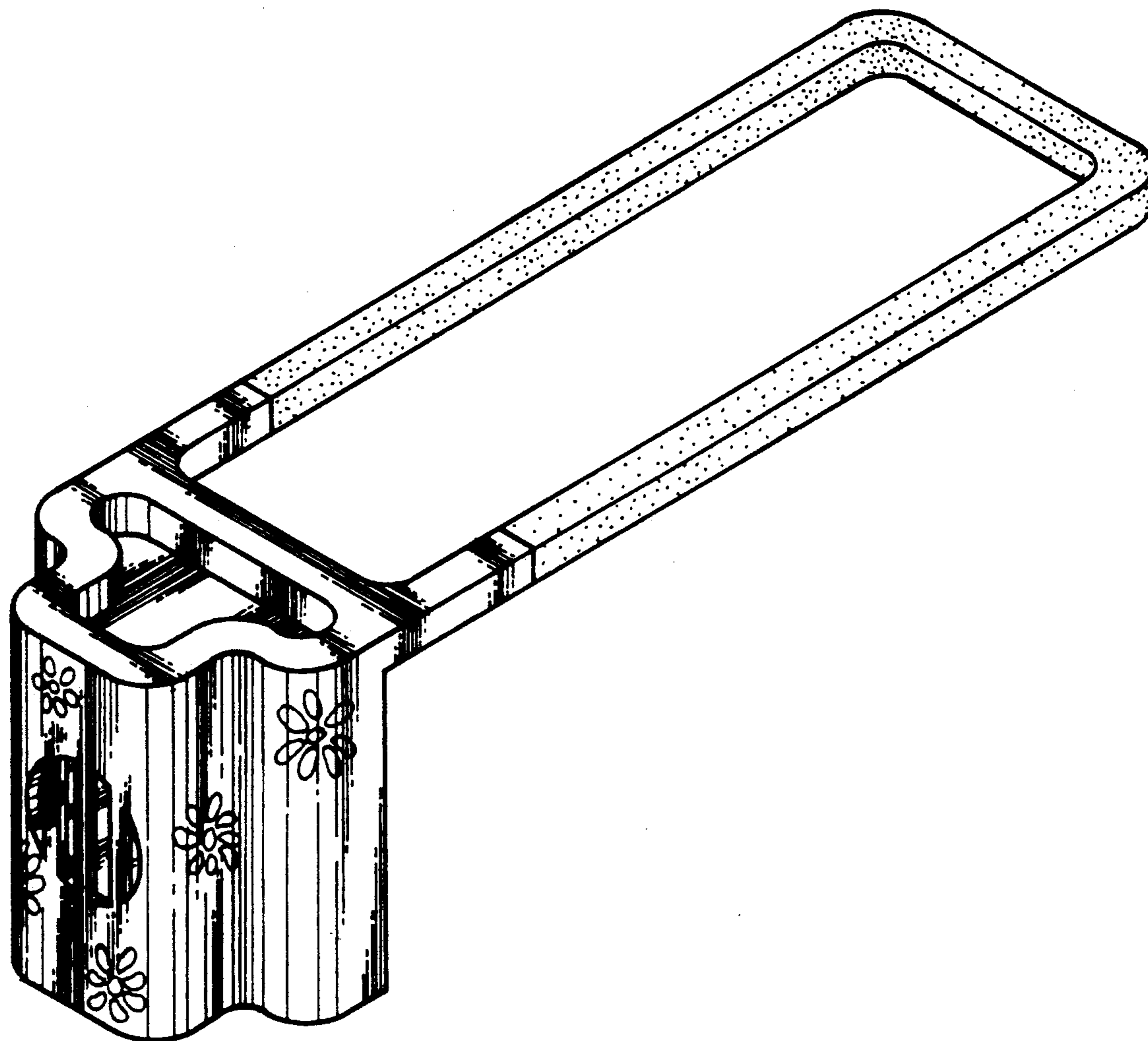
FIG. 3 is a rear elevation view thereof;

FIG. 4 is a right side elevation view thereof;

FIG. 5 is a left side elevation view thereof;

FIG. 6 is a top plan view thereof; and,

FIG. 7 is a bottom plan view thereof.



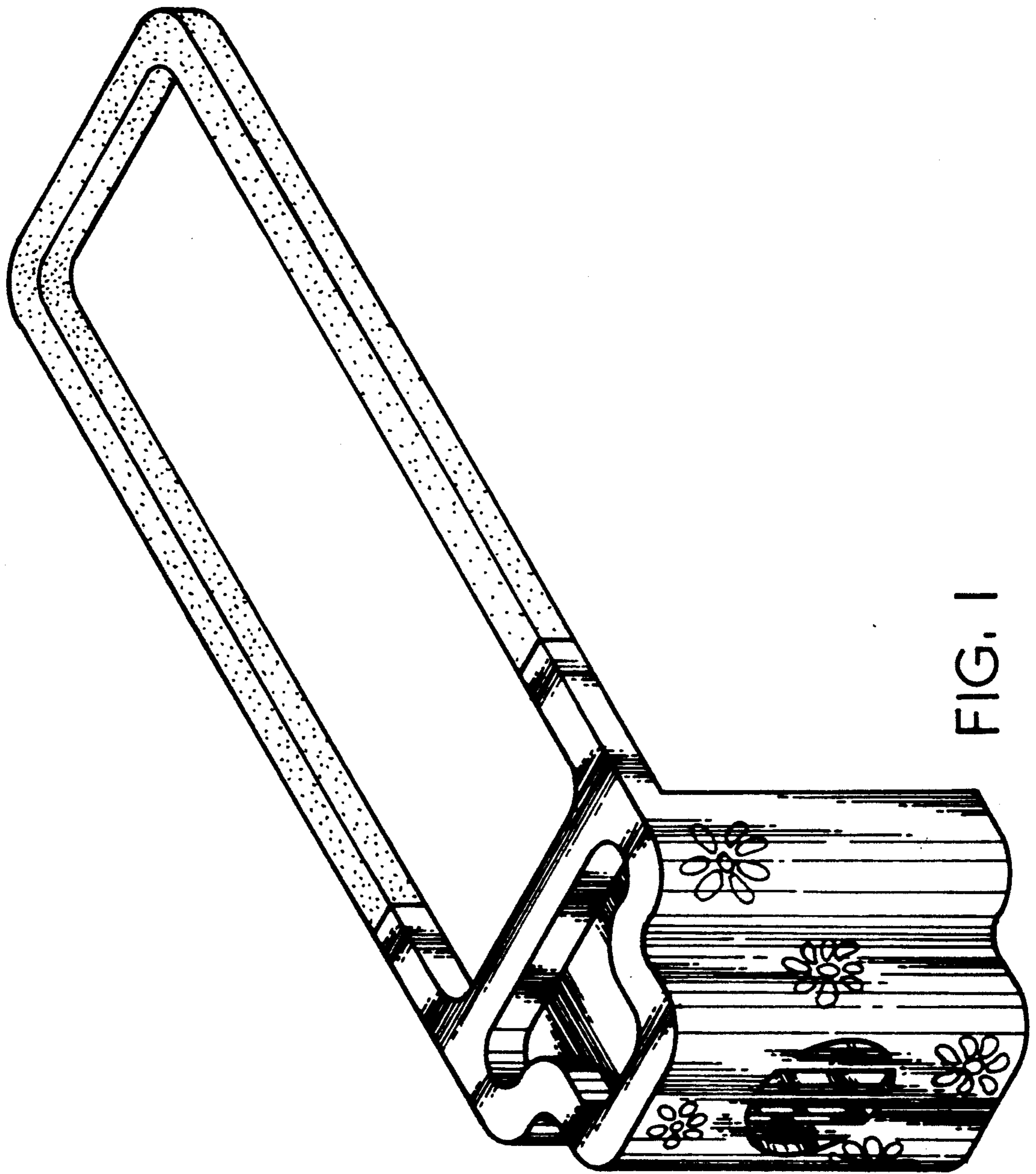


FIG. 1

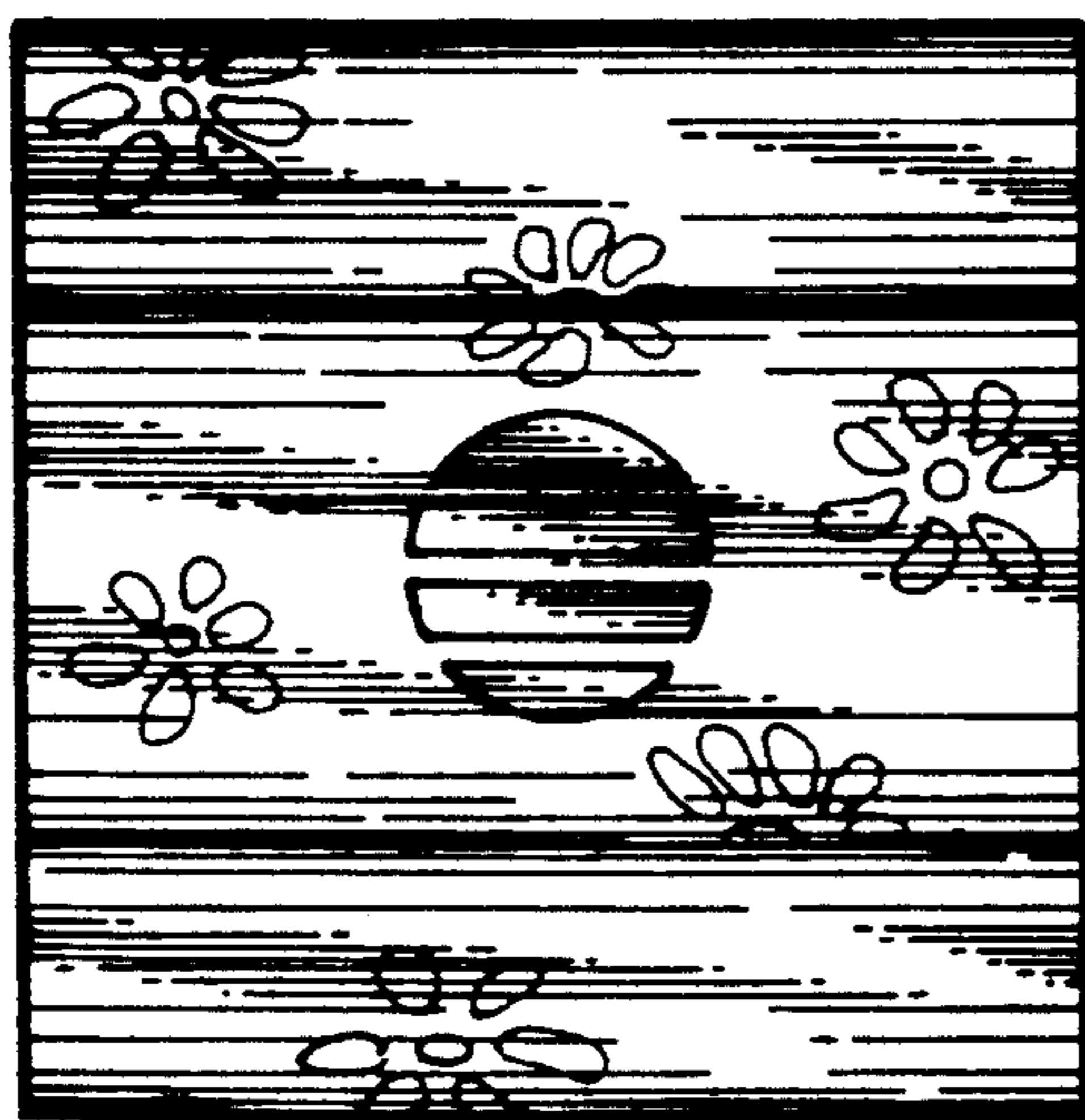


FIG. 2

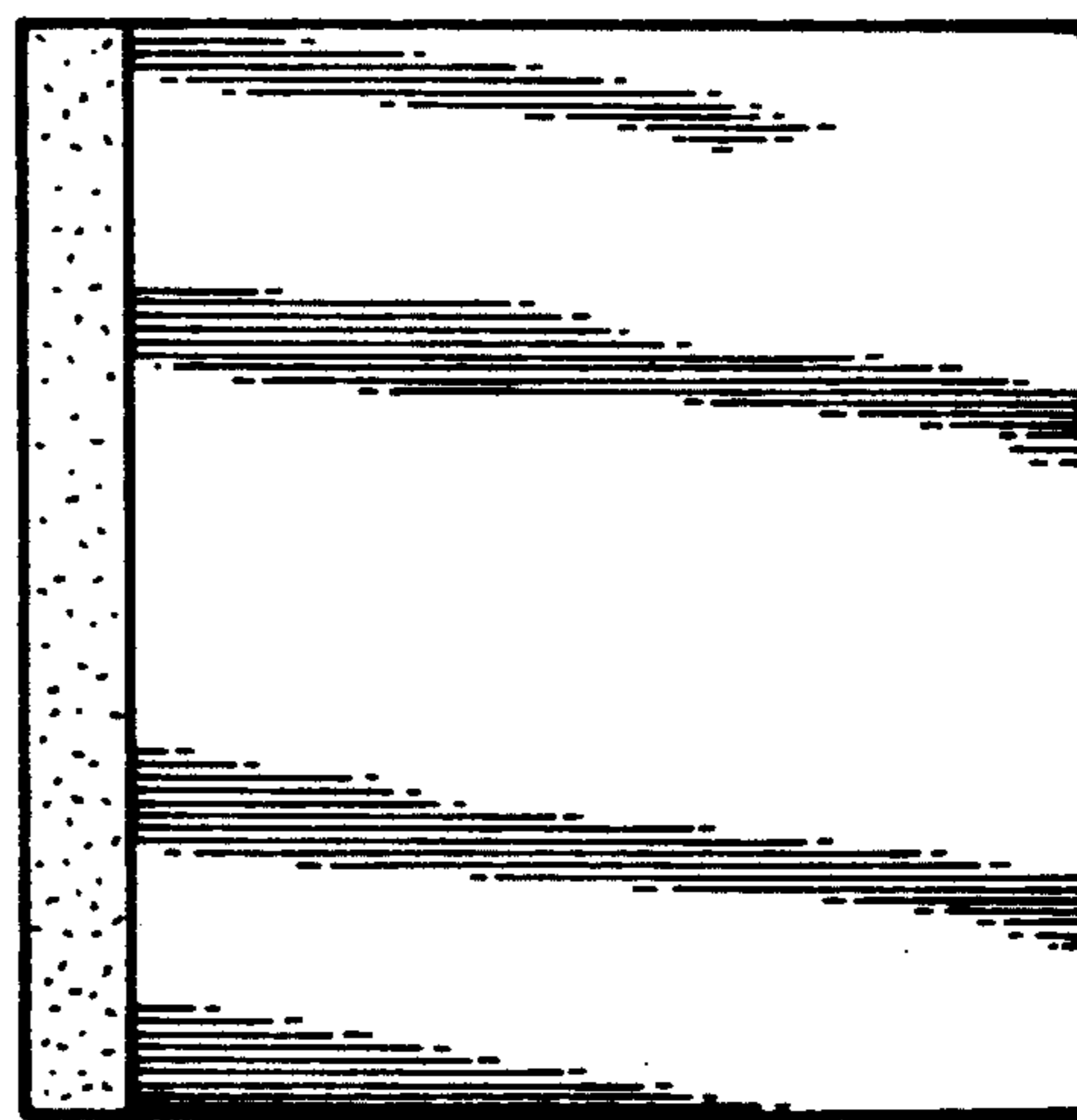


FIG. 3

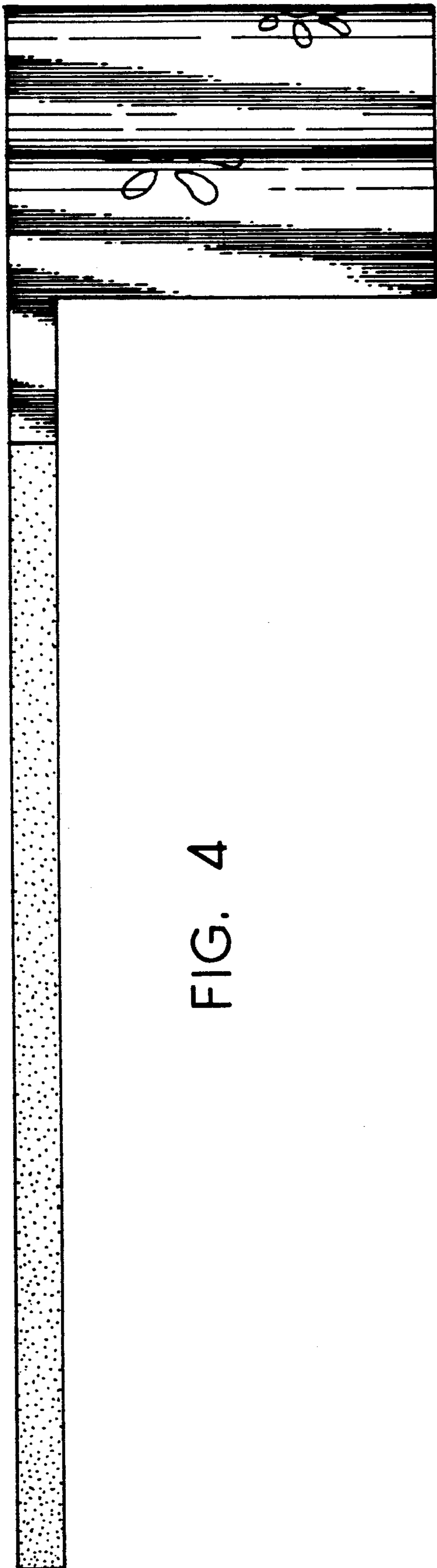


FIG. 4

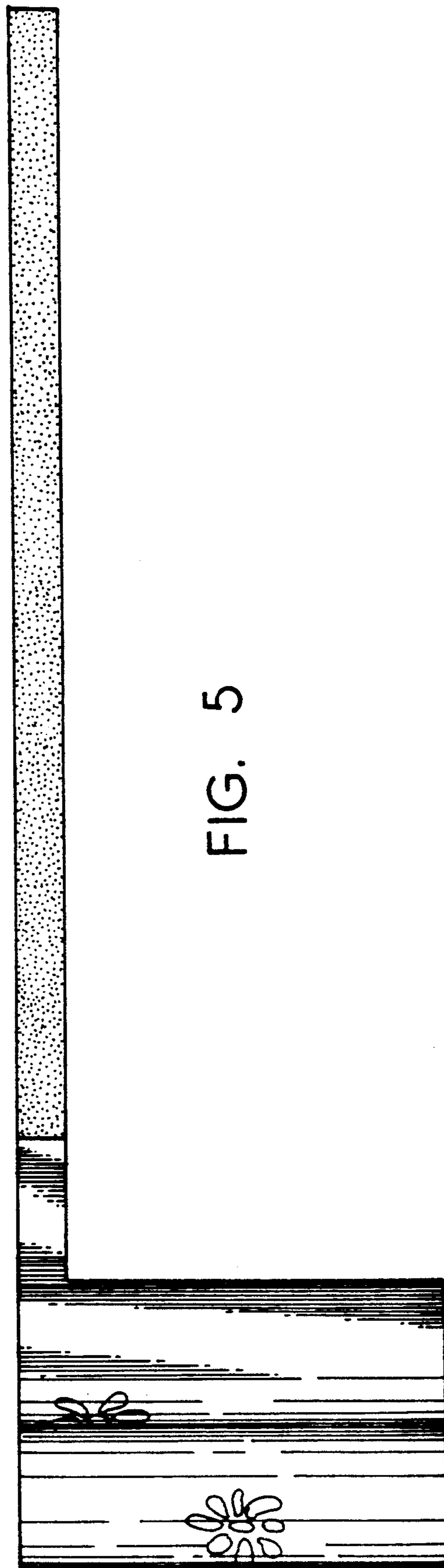


FIG. 5

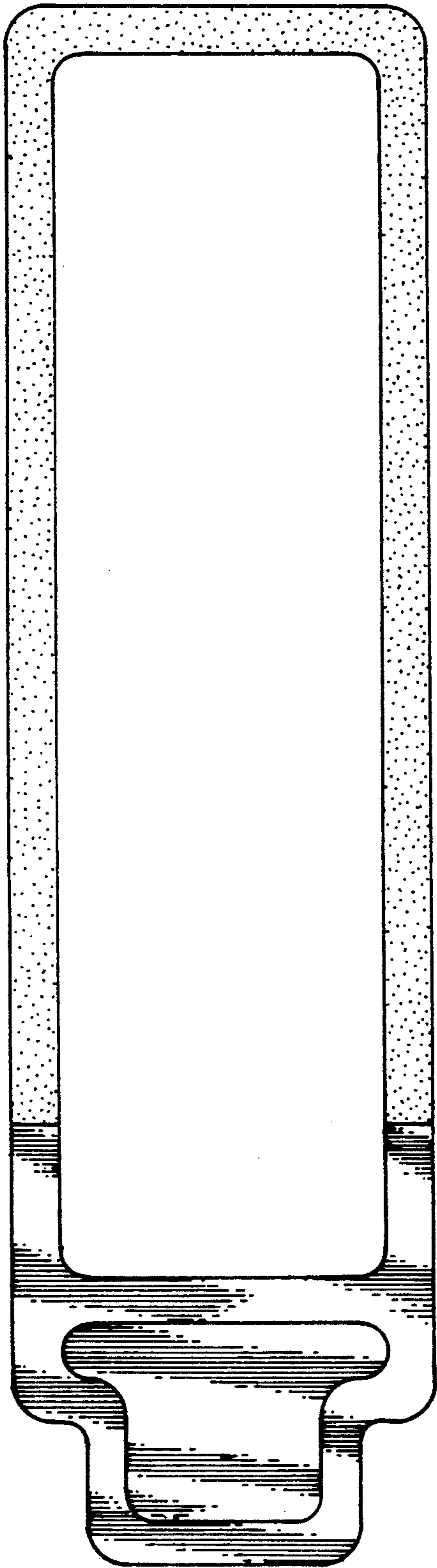


FIG. 6

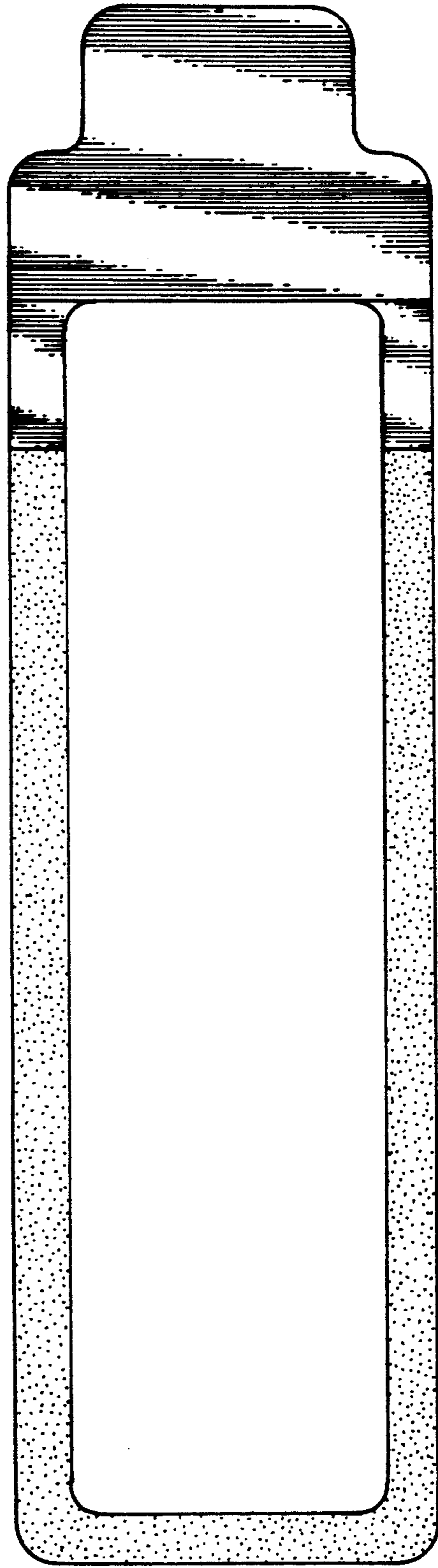


FIG. 7