



US00D332484S

United States Patent [19]

[11] Patent Number: **Des. 332,484**

Bengtson et al.

[45] Date of Patent: **** Jan. 12, 1993**

[54] SHOWER ENCLOSURE

[75] Inventors: **Alan D. Bengtson**, Sheboygan;
Thomas J. Husting, Sheboygan Falls,
both of Wis.

[73] Assignee: **Kohler Co.**, Kohler, Wis.

[**] Term: **14 Years**

[21] Appl. No.: **639,950**

[22] Filed: **Jan. 11, 1991**

[52] U.S. Cl. **D23/305; D25/15;**
D25/52

[58] Field of Search **D23/270, 271, 273, 275,**
D23/277-283, 303-307; 4/538, 541.1-541.6,
557, 559, 560.1-566.1, 571.1-578.1, 584, 589,
590, 596, 610, 611, 612, 614, 621, 622, 675;
D11/145; D24/201-205; D25/15, 52

[56] References Cited

U.S. PATENT DOCUMENTS

D. 204,126	3/1966	Brennar	D23/283
D. 237,730	11/1975	Hansen et al.	D11/145
D. 240,667	7/1976	Hall	D24/202
D. 320,438	10/1991	Poulson et al.	D23/305
1,664,491	4/1928	Siegel	4/557
3,127,697	4/1964	Romenko	D25/52 X
4,335,547	6/1982	Maxwell	D25/15 X
4,365,368	12/1982	Boggs	4/614 X
4,501,099	2/1985	Boaz	52/82
4,720,876	1/1988	Tomei et al.	4/610 X
4,914,770	4/1990	Baus	4/596 X

FOREIGN PATENT DOCUMENTS

3800446	7/1989	Fed. Rep. of Germany	4/610
---------	--------	----------------------	-------	-------

OTHER PUBLICATIONS

A page from a Sears catalog showing the "Neo Angle" enclosure, undated, admitted prior art.

A page from a Kohler catalog showing the Neo Angle Profile enclosure, undated, admitted prior art.

A Teuco advertisement showing the Art.231 enclosure, 1990, admitted prior art.

An article showing the "Teuco", undated, admitted prior art.

A 1990 ad for the Circus World Museum, undated, admitted prior art.

Primary Examiner—James R. Largen

Attorney, Agent, or Firm—Quarles & Brady

[57] CLAIM

The ornamental design for a shower enclosure, as shown and described.

DESCRIPTION

FIG. 1 is a perspective view taken from the top and front of a shower enclosure showing our new design;

FIG. 2 is a top plan view thereof;

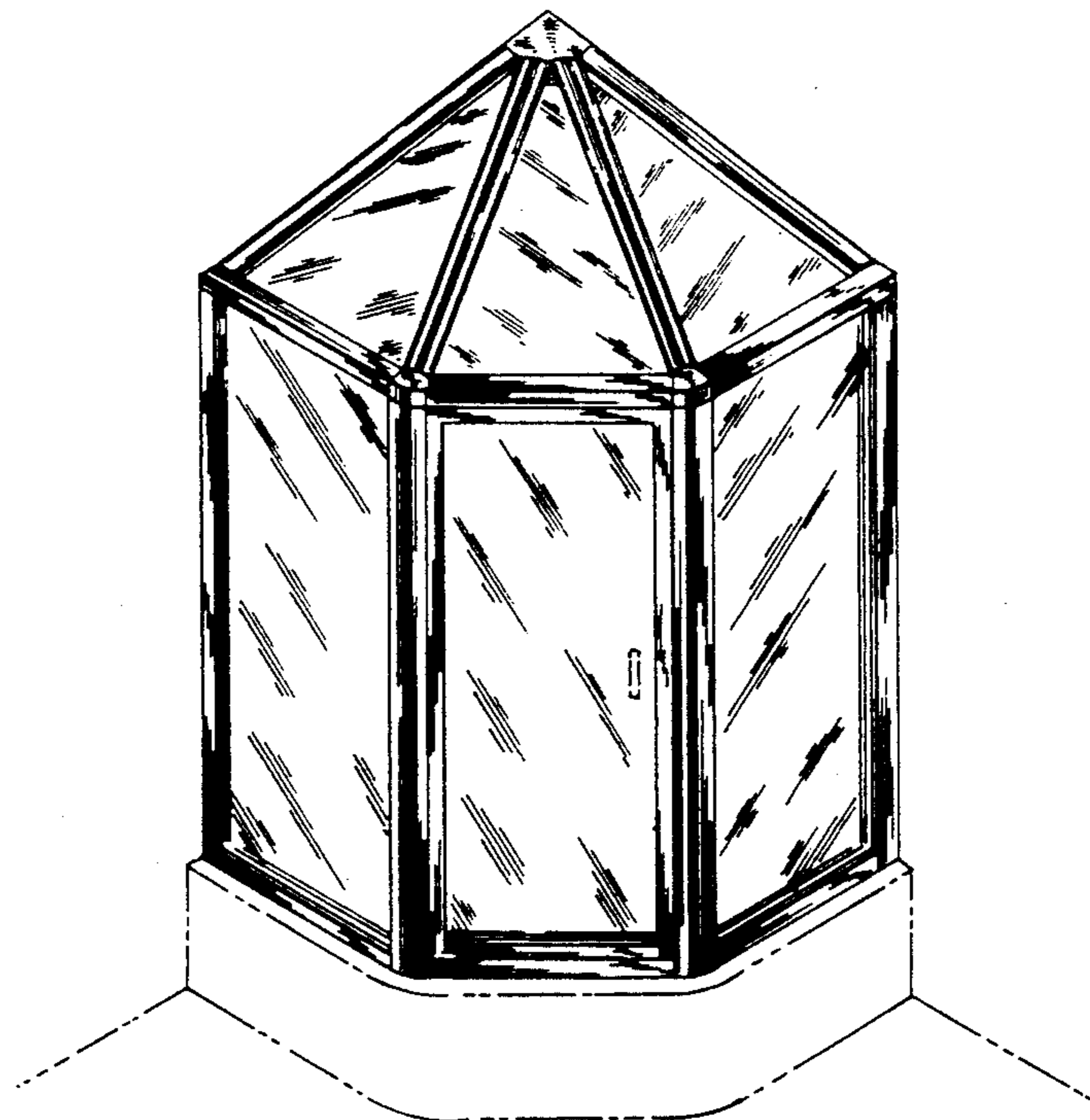
FIG. 3 is a left side elevational view thereof;

FIG. 4 is an enlarged cross-sectional view taken on line 4-4 of FIG. 3;

FIG. 5 is an enlarged cross-sectional view taken on line 5-5 of FIG. 2; and,

FIG. 6 is an enlarged cross-sectional view taken on line 6-6 of FIG. 2.

The broken line representations of a shower base and a door handle in FIG. 1 and the fragmentary broken line representation of walls in FIGS. 1, 4 and 6 are for the purposes of illustration only and form no part of the claimed design.



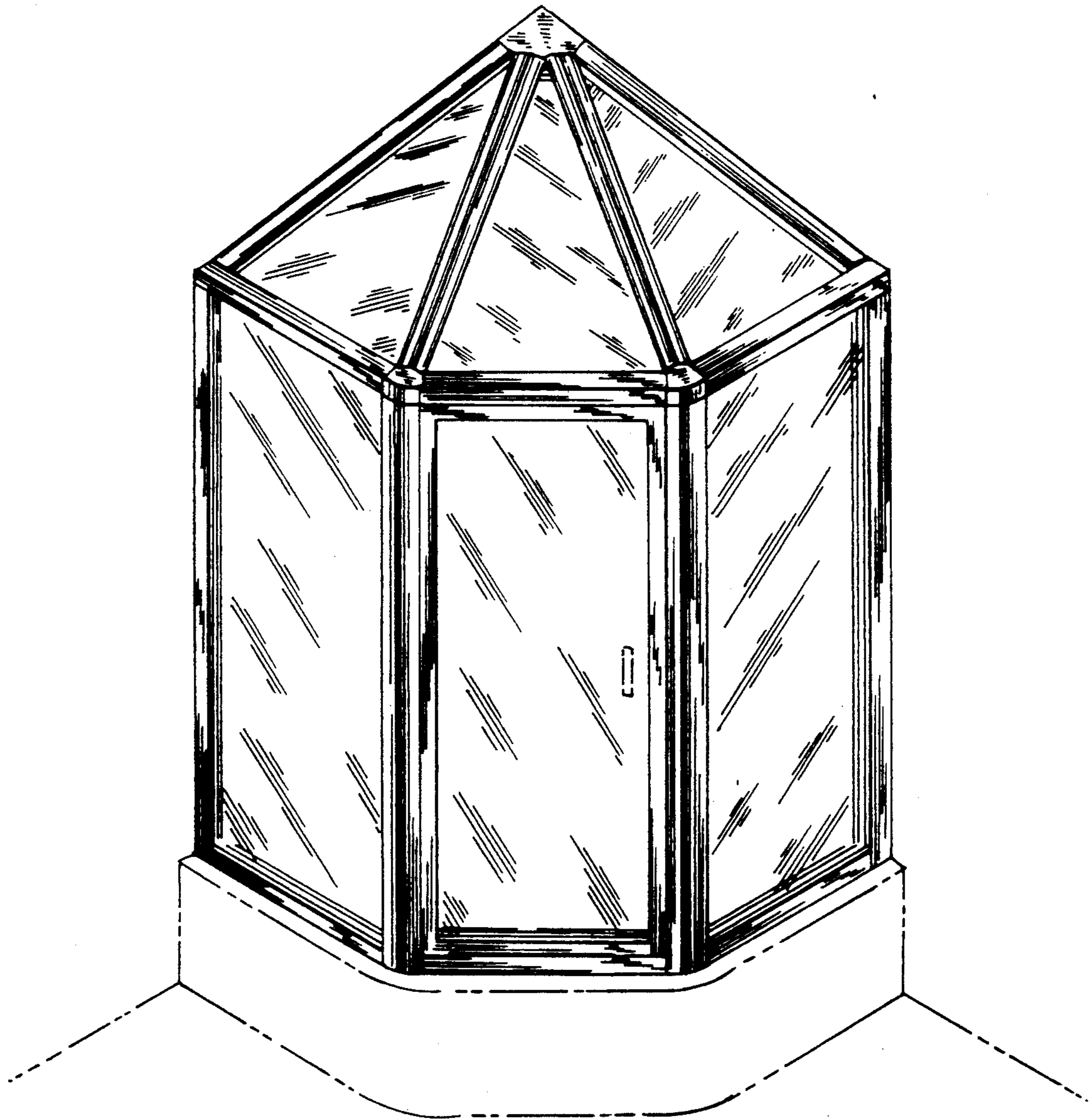


FIG. 1

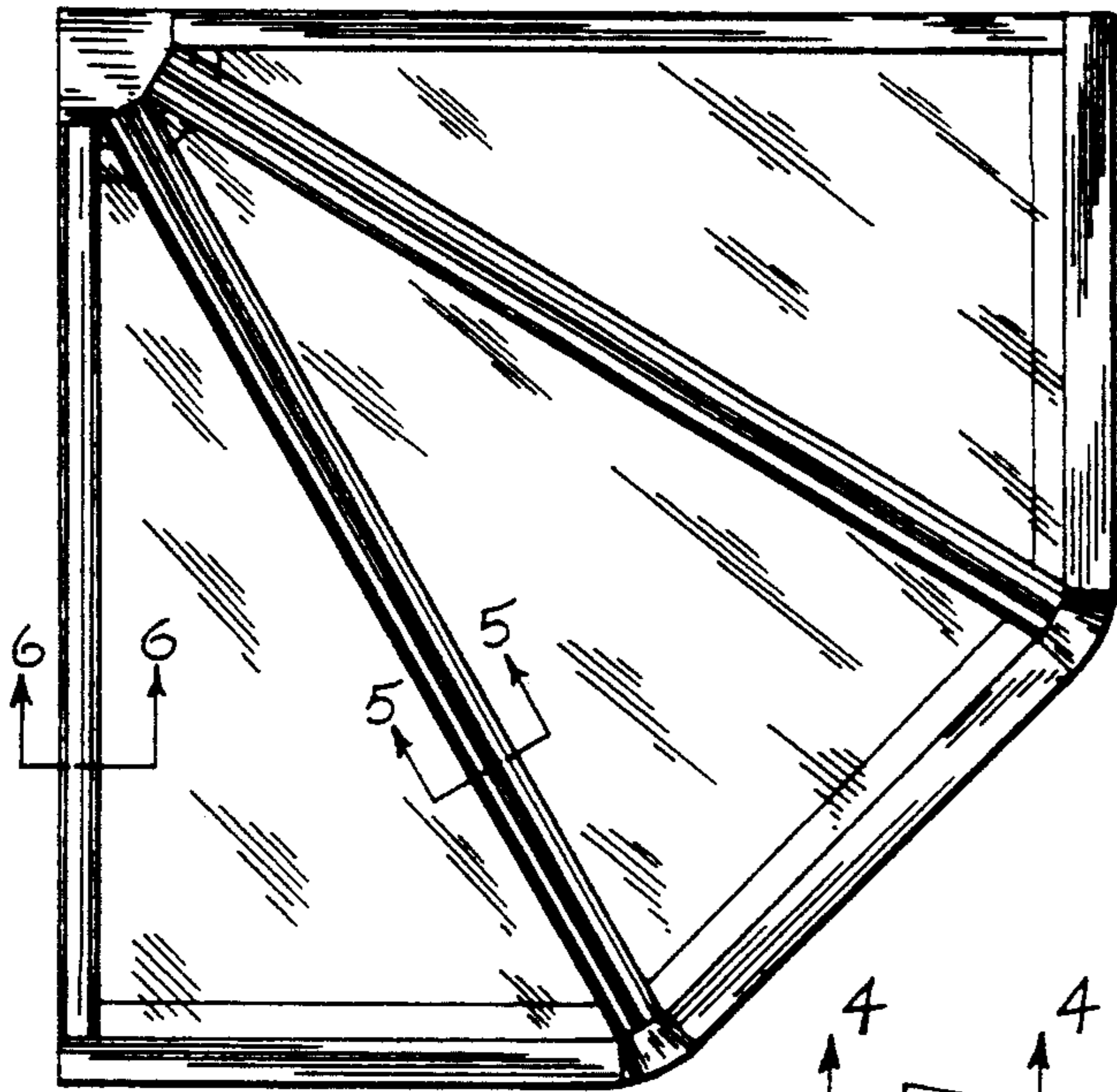


FIG. 2

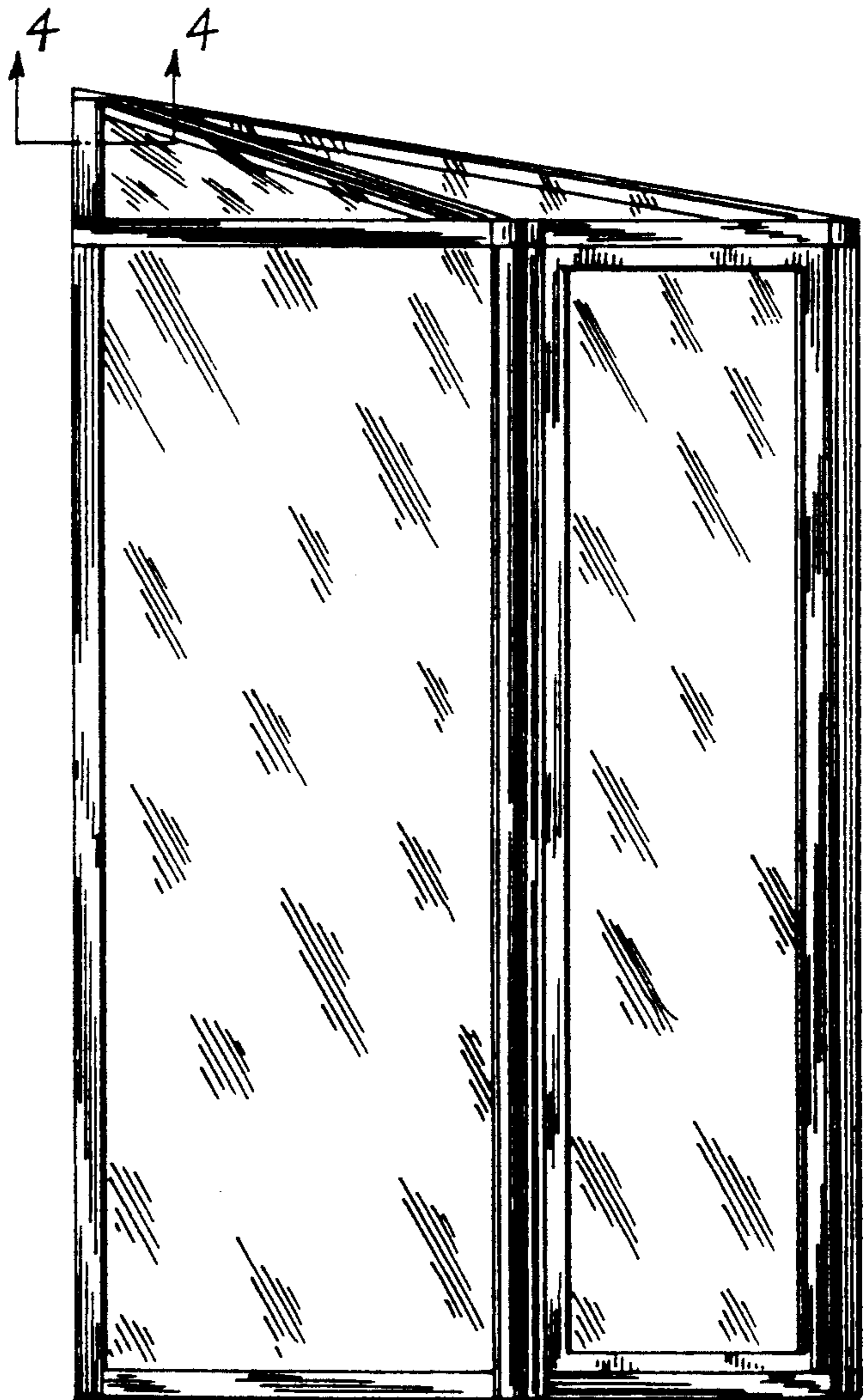


FIG. 3

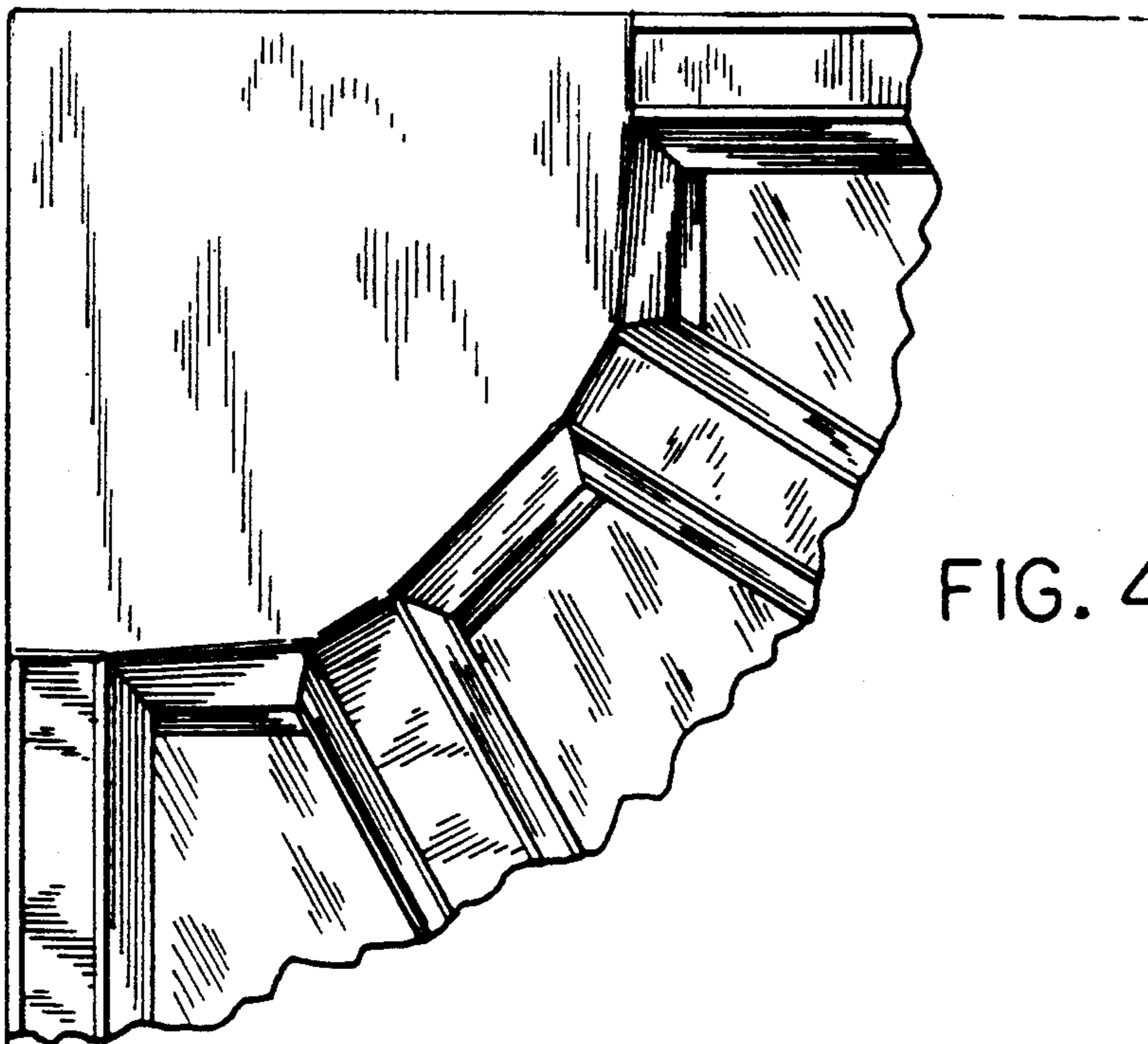


FIG. 4

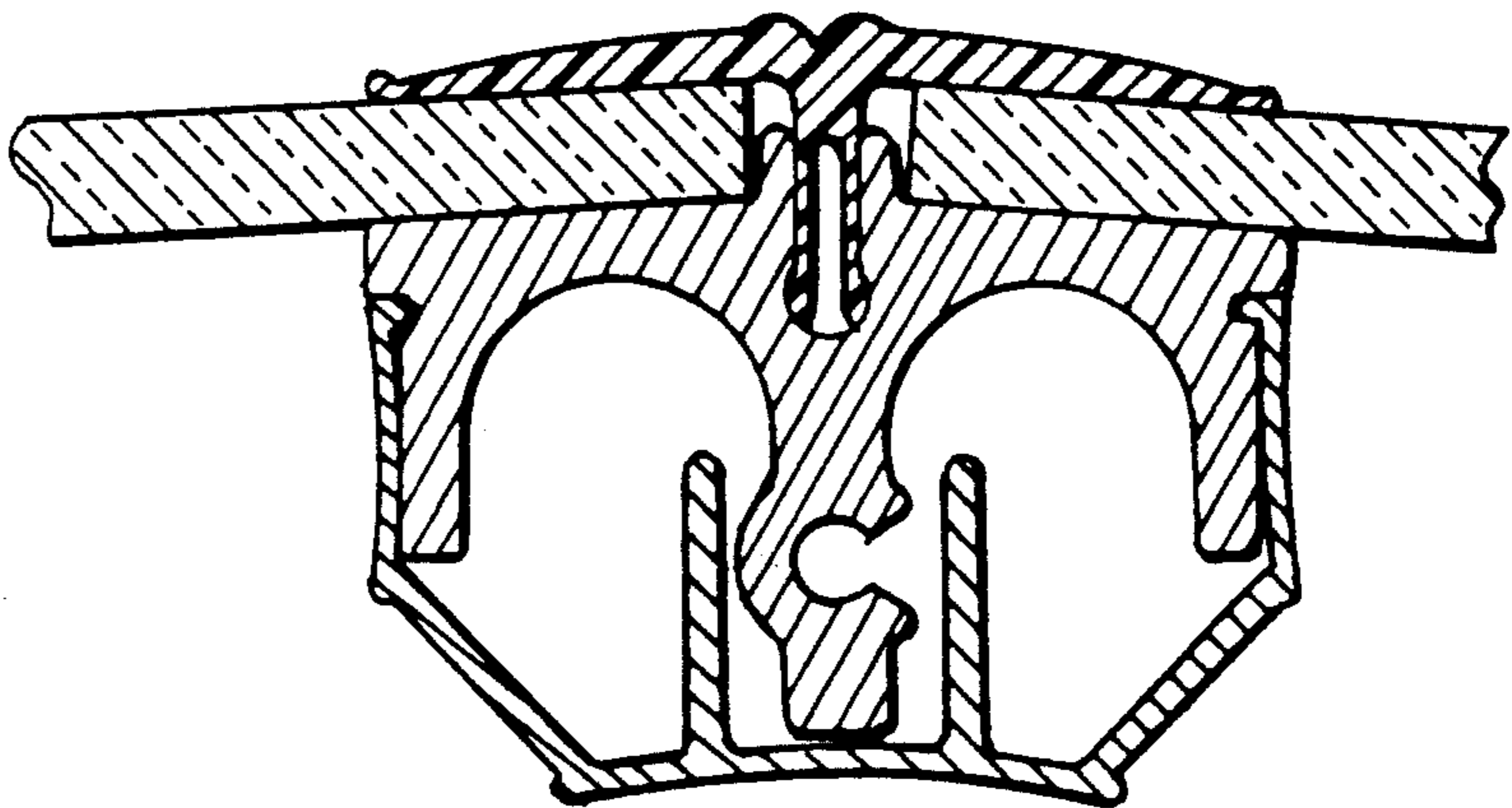


FIG. 5

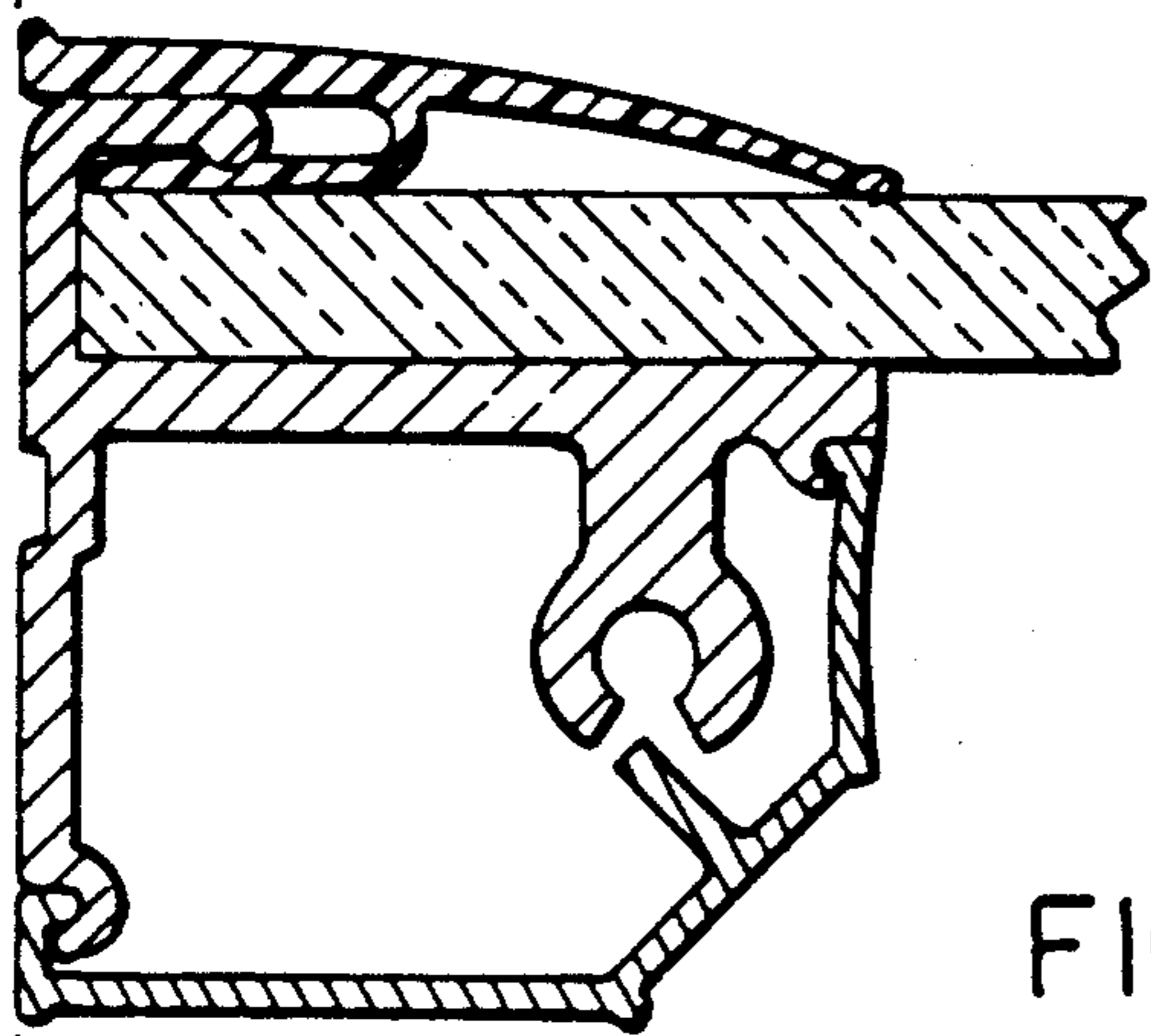


FIG. 6