



US00D332483S

United States Patent [19]

Lin

[11] Patent Number: **Des. 332,483**

[45] Date of Patent: **** Jan. 12, 1993**

[54] **SWIVEL NIPPLE**

[76] Inventor: **Chen-Yung Lin**, No. 36, Lane 215, Sec. 1, An-Ho Rd., Tainan, Taiwan

[**] Term: **14 Years**

[21] Appl. No.: **418,481**

[22] Filed: **Oct. 10, 1989**

[52] U.S. Cl. **D23/264**

[58] Field of Search **D23/259-269; 285/190, 239, 272-282**

[56] **References Cited**

U.S. PATENT DOCUMENTS

D. 270,369	8/1983	Fleckenstein	D23/264
D. 295,552	5/1988	Huber	D23/264
D. 295,553	5/1988	Huber	D23/264
2,459,643	1/1949	Hartley	285/190

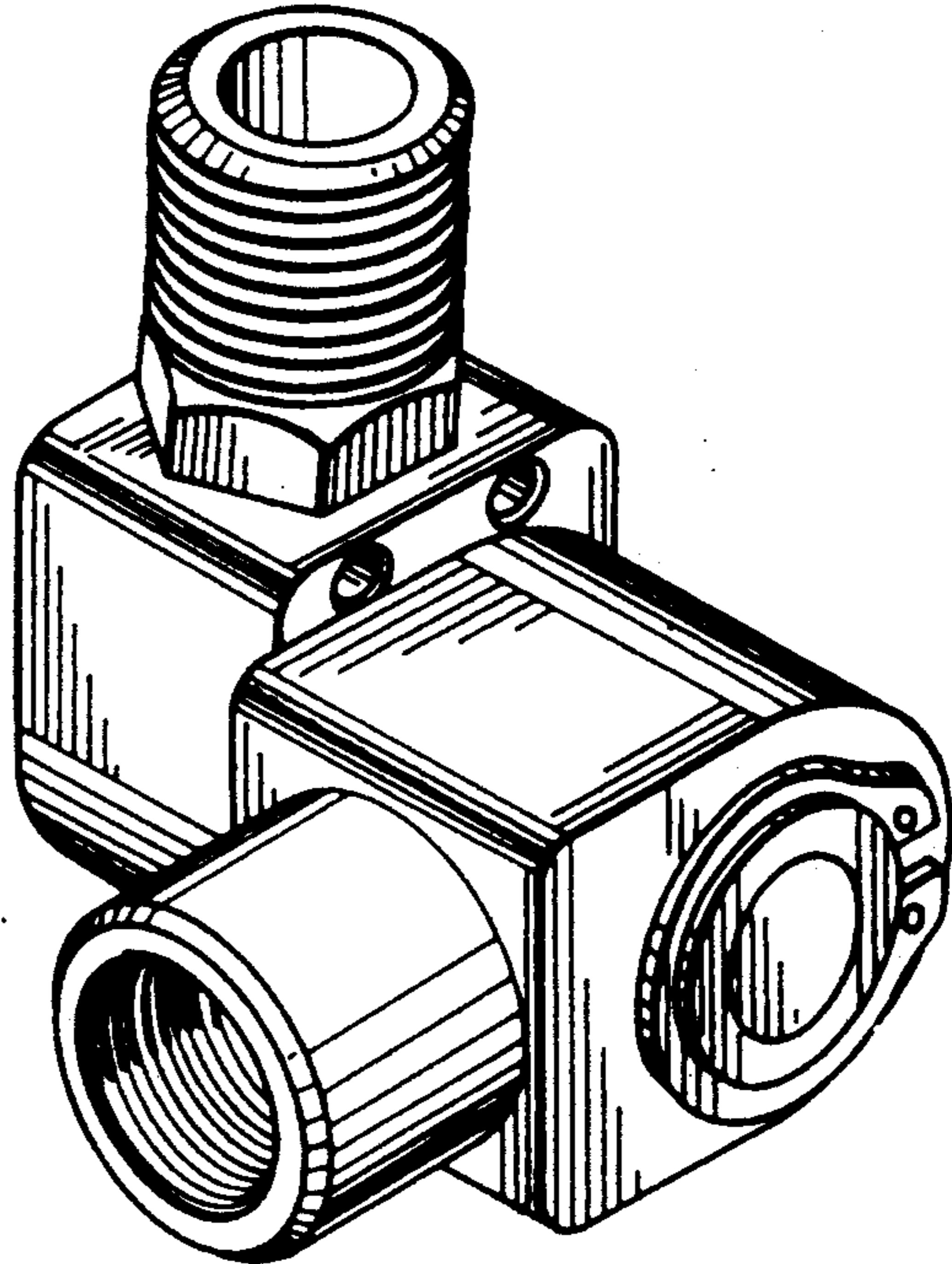
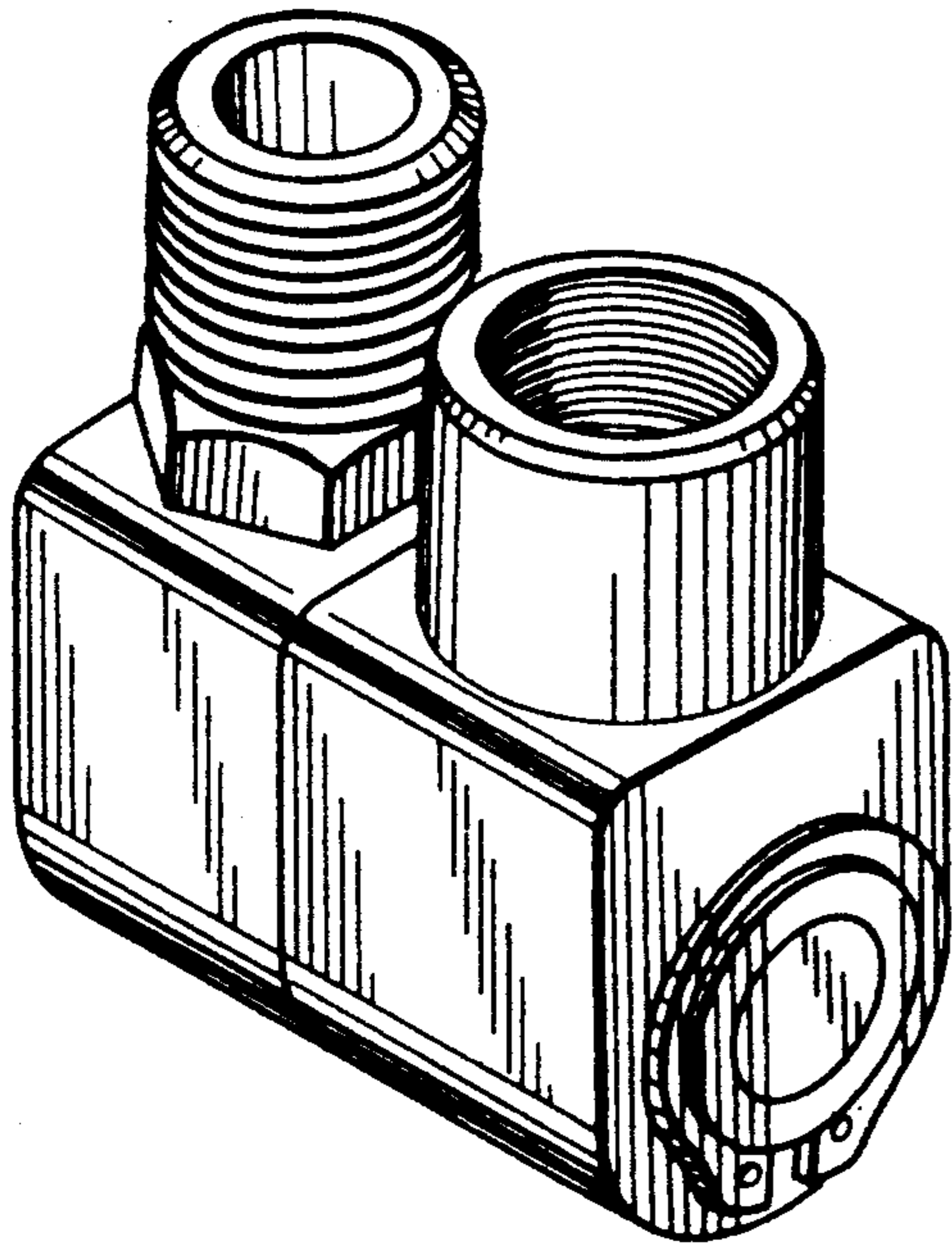
Primary Examiner—Brian N. Vinson
Attorney, Agent, or Firm—Sterne, Kessler, Goldstein & Fox

[57] **CLAIM**

The ornamental design for swivel nipple, as shown and described.

DESCRIPTION

FIG. 1 is a top, front, and right side perspective view of a swivel nipple showing my new design; FIG. 2 is a front elevational view thereof; FIG. 3 is a rear elevational view thereof; FIG. 4 is a left side view thereof; FIG. 5 is a right side view thereof; FIG. 6 is a top plan view thereof; FIG. 7 is a bottom plan view thereof; and, FIG. 8 is a top, front, and right side perspective view thereof, showing a portion of the nipple rotated.



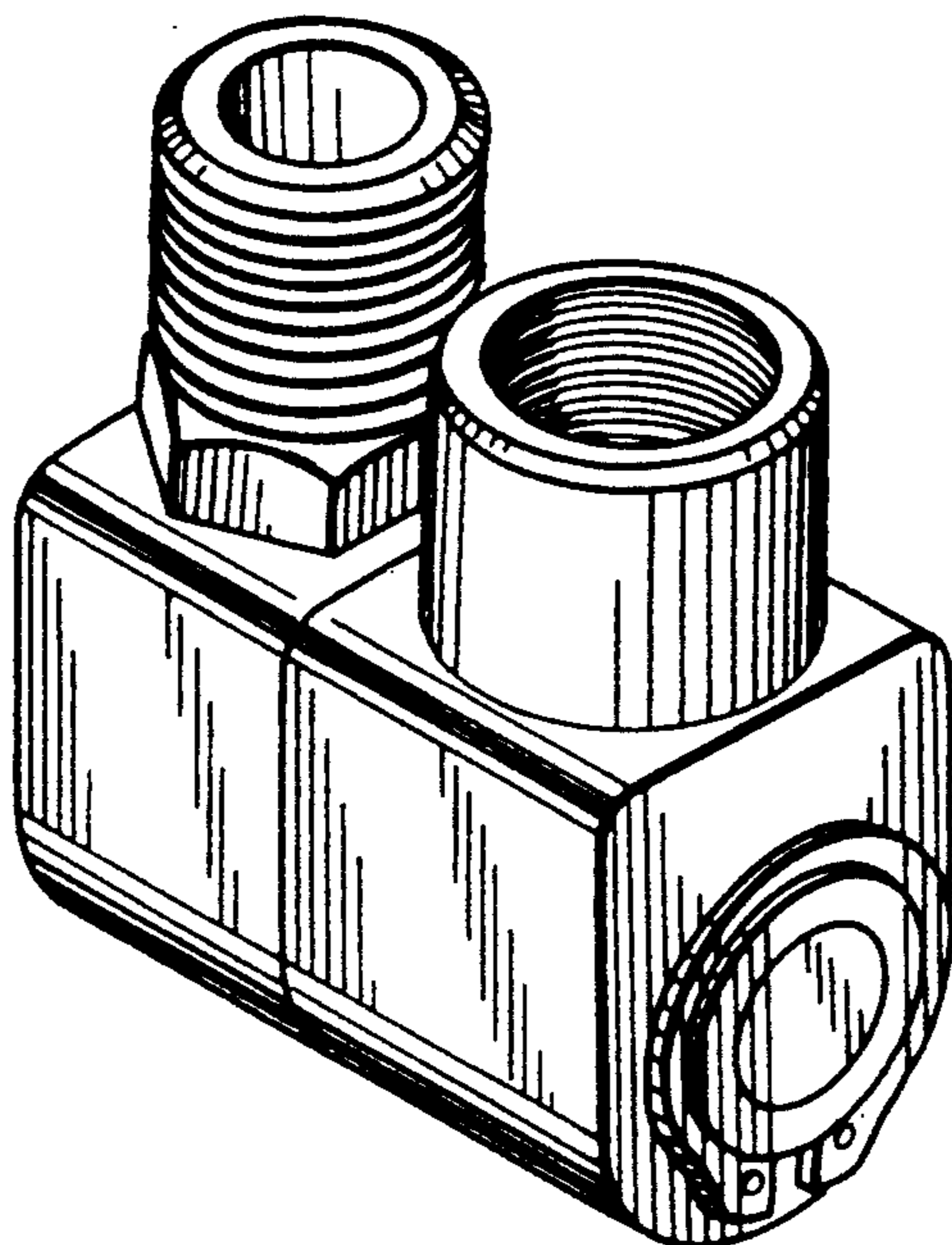


FIG. 1

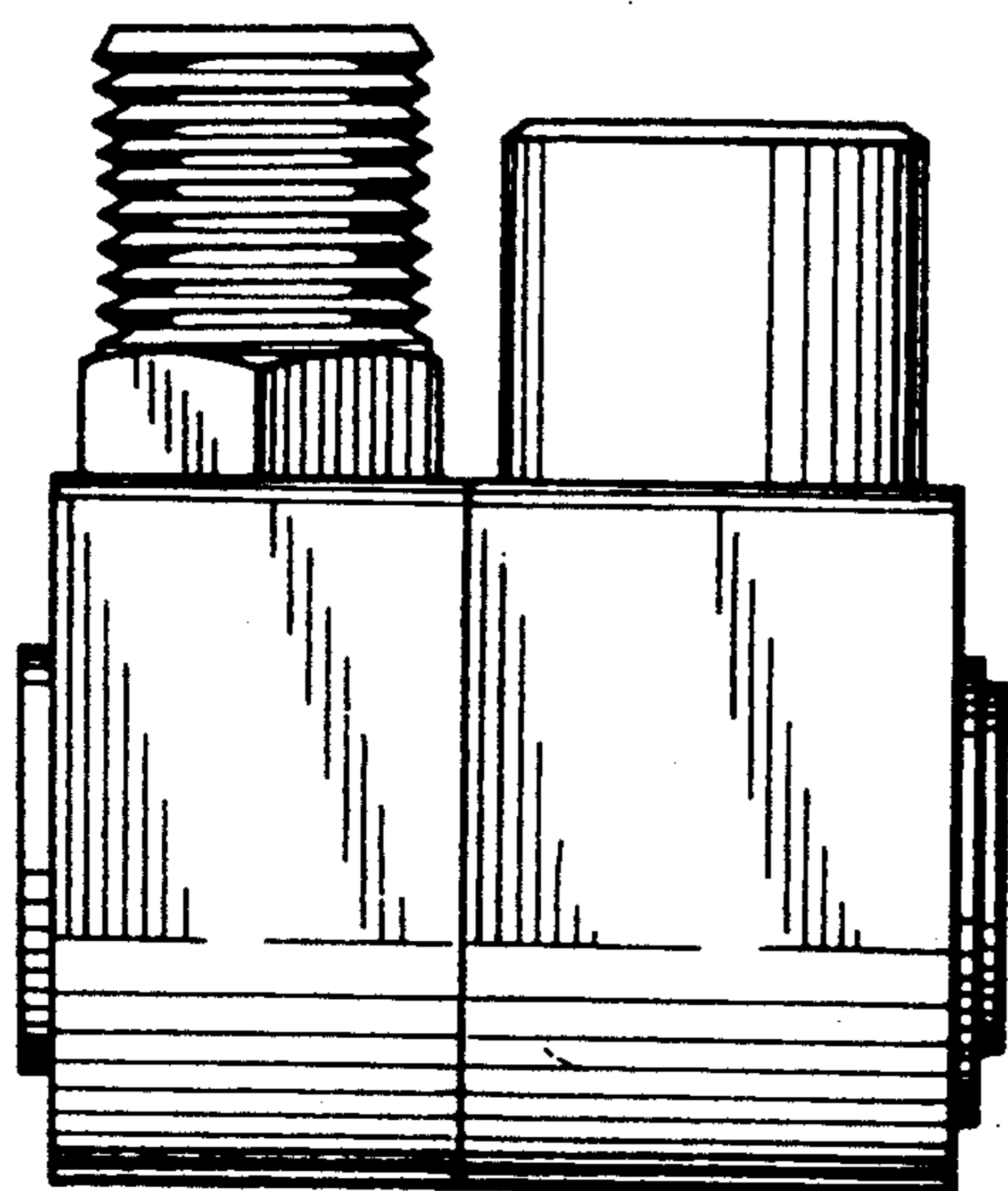


FIG. 2

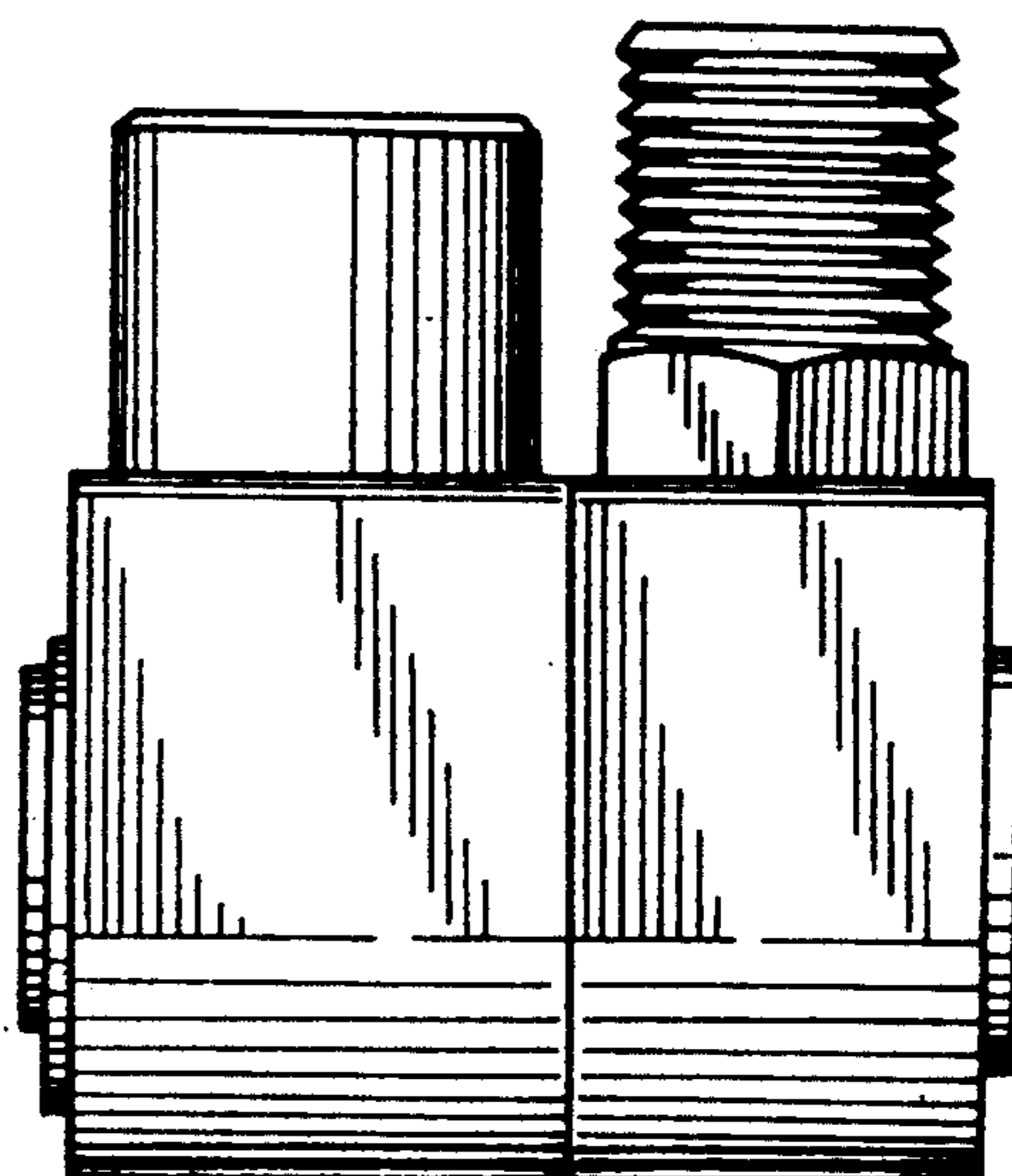


FIG. 3

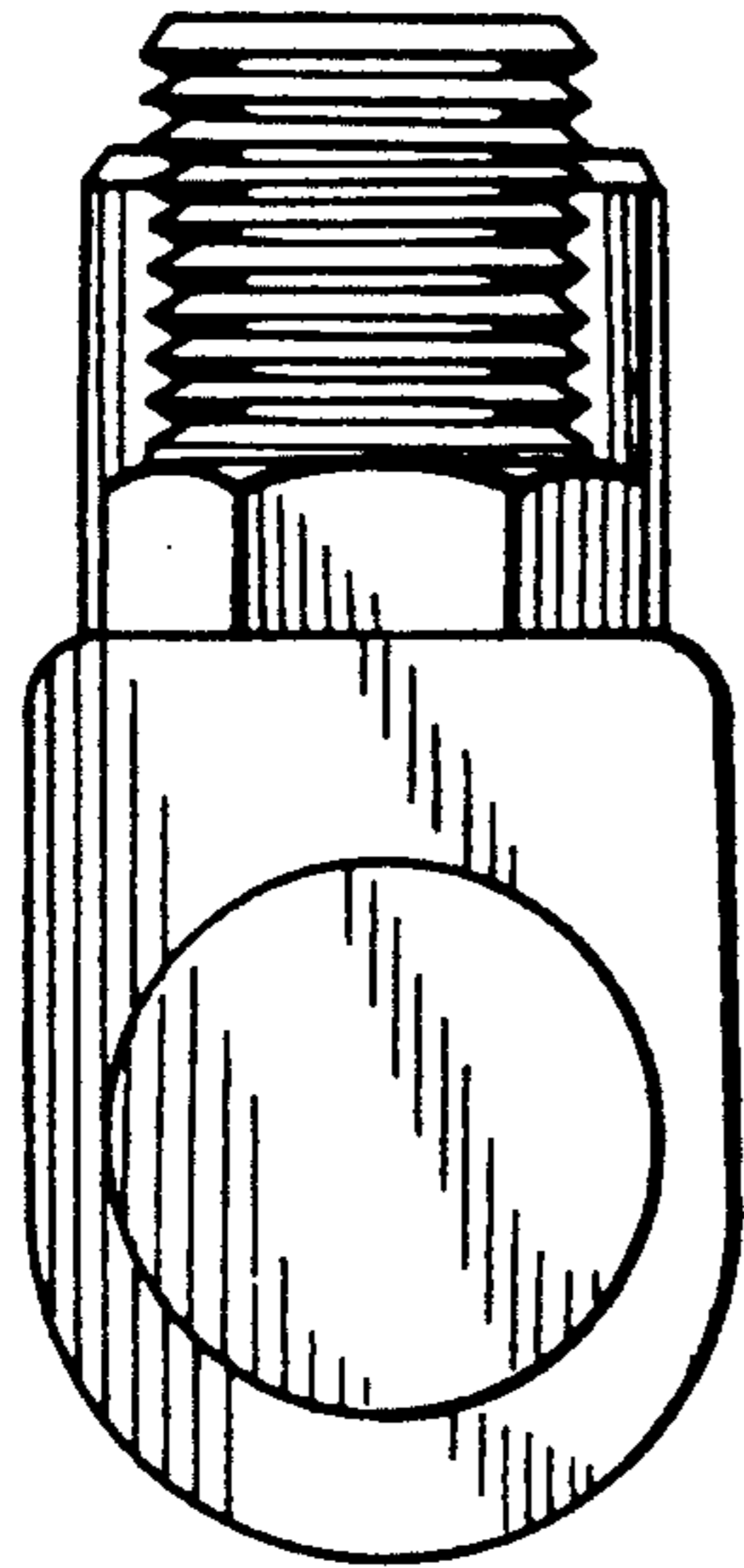


FIG. 4

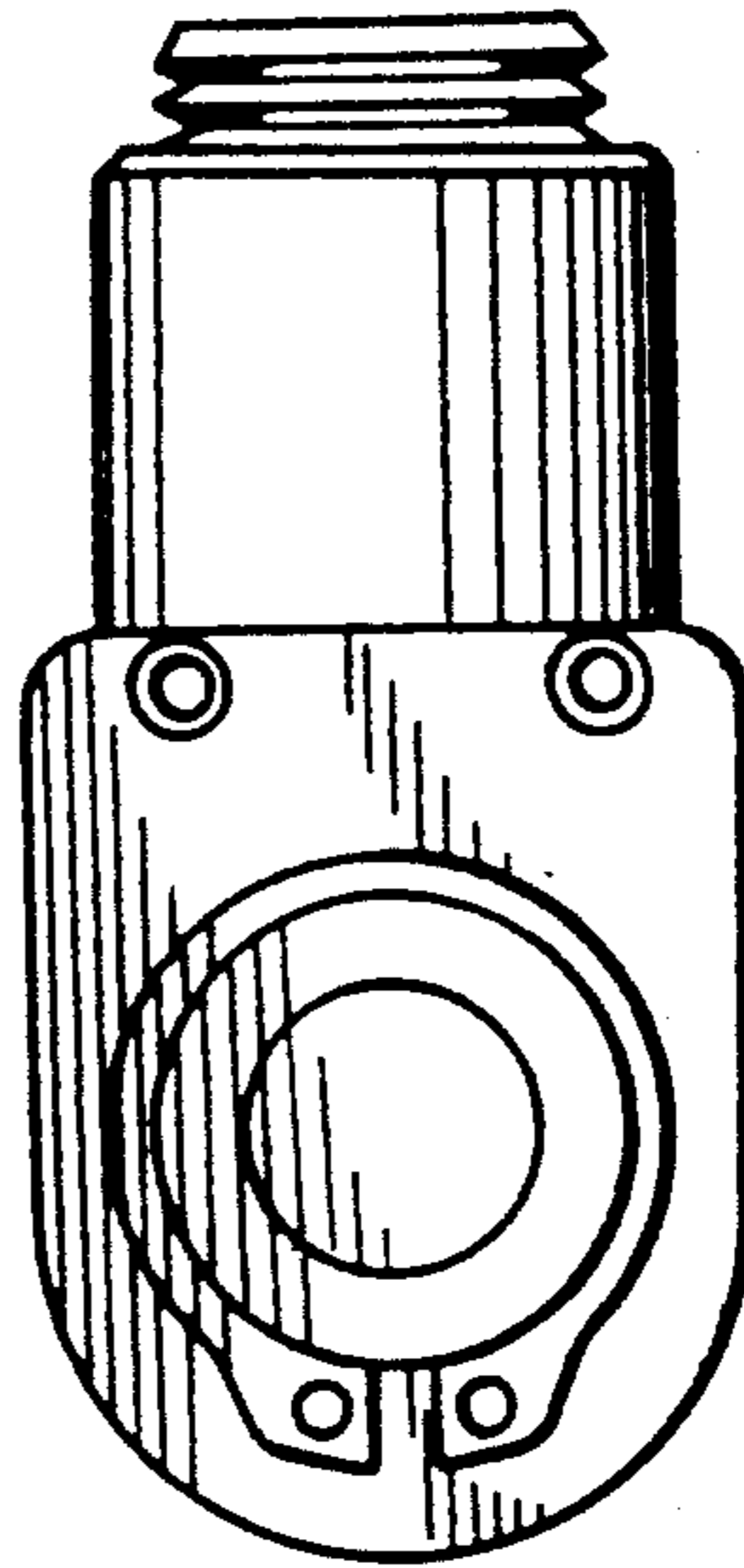


FIG. 5

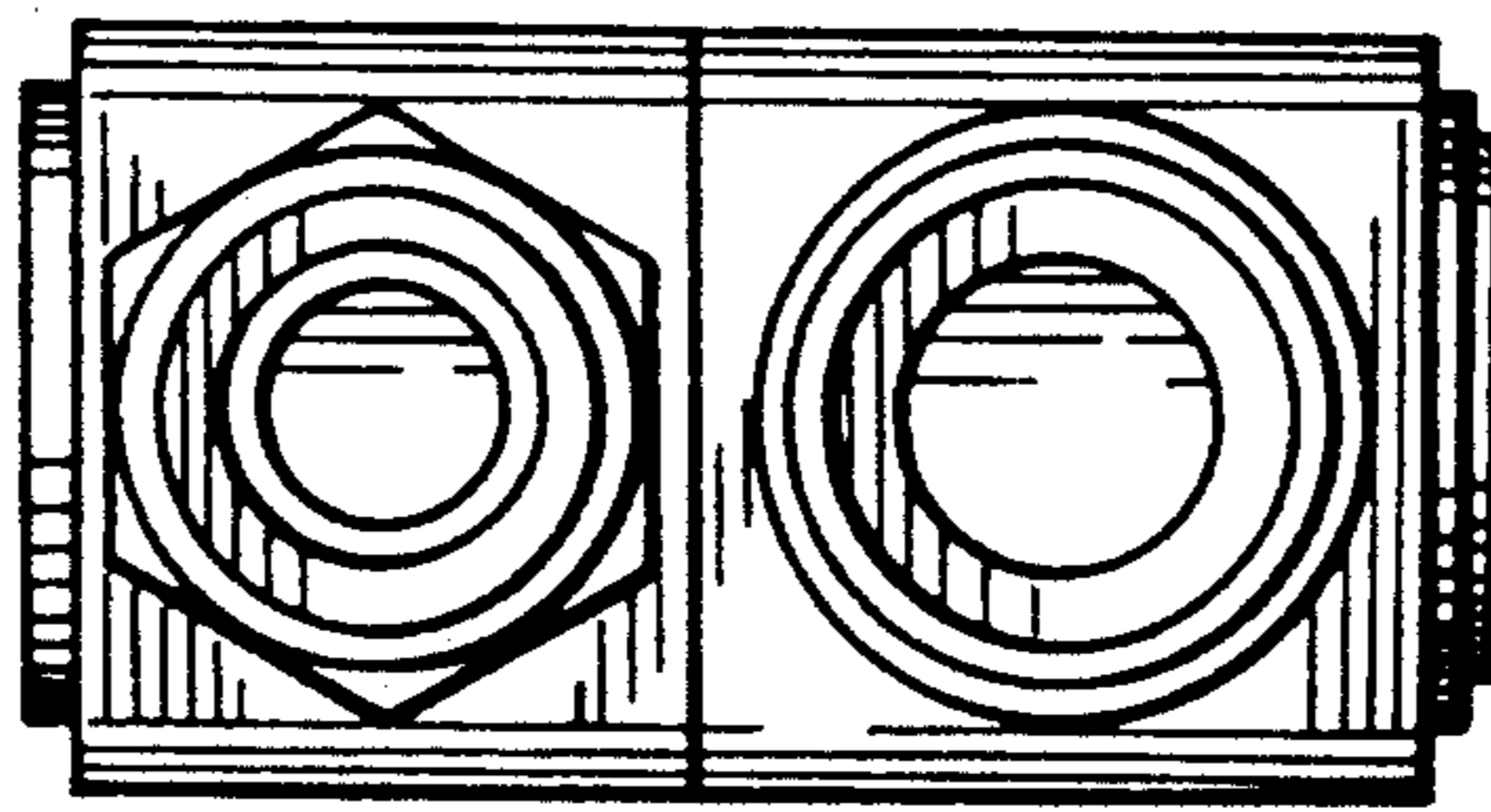


FIG. 6

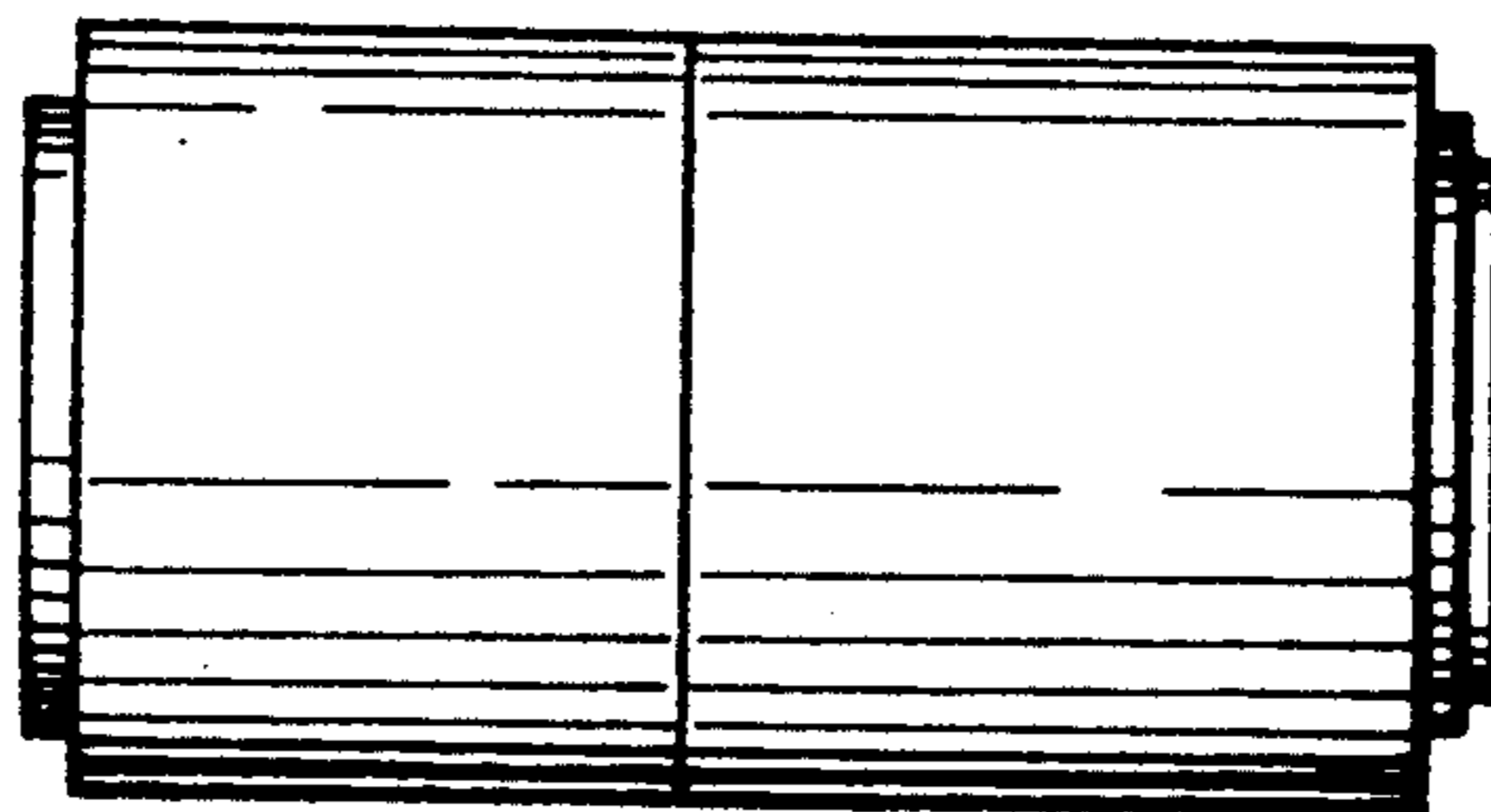


FIG. 7

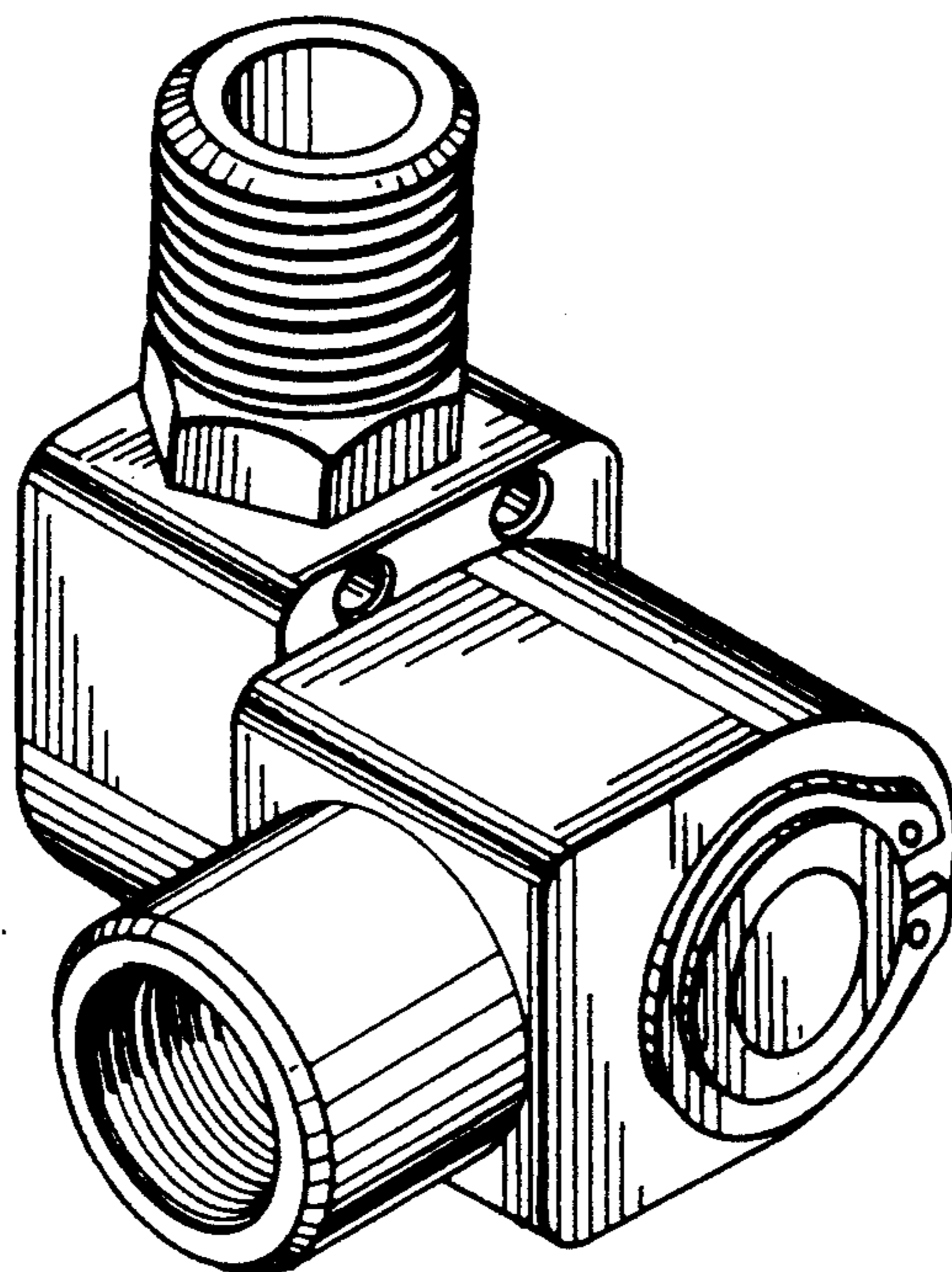


FIG. 8