



US00D332478S

United States Patent [19]

[11] Patent Number: **Des. 332,478**

Antonious

[45] Date of Patent: **** Jan. 12, 1993**

[54] IRON TYPE GOLF CLUB HEAD

[76] Inventor: **Anthony J. Antonious**, 205 E. Joppa Rd., Towson, Md. 21204

[*] Notice: The portion of the term of this patent subsequent to Nov. 24, 2006 has been disclaimed.

[**] Term: **14 Years**

[21] Appl. No.: **490,259**

[22] Filed: **Mar. 8, 1990**

[52] U.S. Cl. **D21/220**

[58] Field of Search **D21/214-220;**
273/167-175

[56] References Cited

U.S. PATENT DOCUMENTS

D. 315,588 3/1991 Antonious D21/220
4,826,172 5/1989 Antonious 273/164

OTHER PUBLICATIONS

Golf Digest, May 1986, p. 9, Slotline Inertial Iron.
Golf Digest, Dec. 1989, p. 124, top left, Slazenger Crown Sterling Iron.

Primary Examiner—Melvin B. Feifer
Attorney, Agent, or Firm—Nicholas J. Aquilino

[57] CLAIM

The ornamental design for an iron type golf club head, as shown and described.

DESCRIPTION

FIG. 1 is a front elevational view of an iron type golf club head showing my new design;
FIG. 2 is a top rear perspective view thereof;
FIG. 3 is a rear elevational view thereof;
FIG. 4 is a bottom view thereof;
FIG. 5 is an end elevational view thereof;
FIG. 6 is an end elevational view taken from the opposite side of FIG. 5; and,
FIG. 7 is a top plan view thereof.

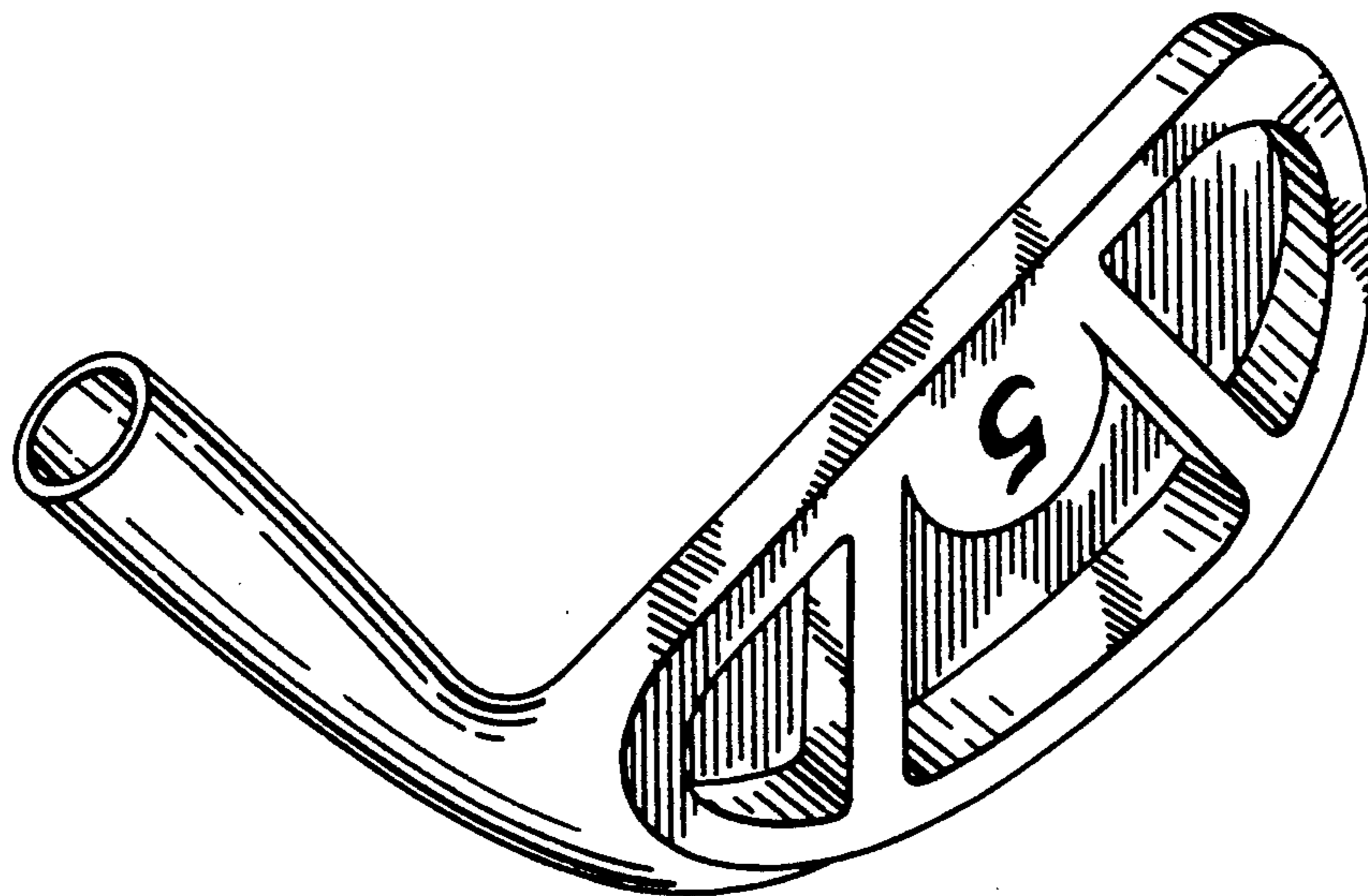


FIG. 1

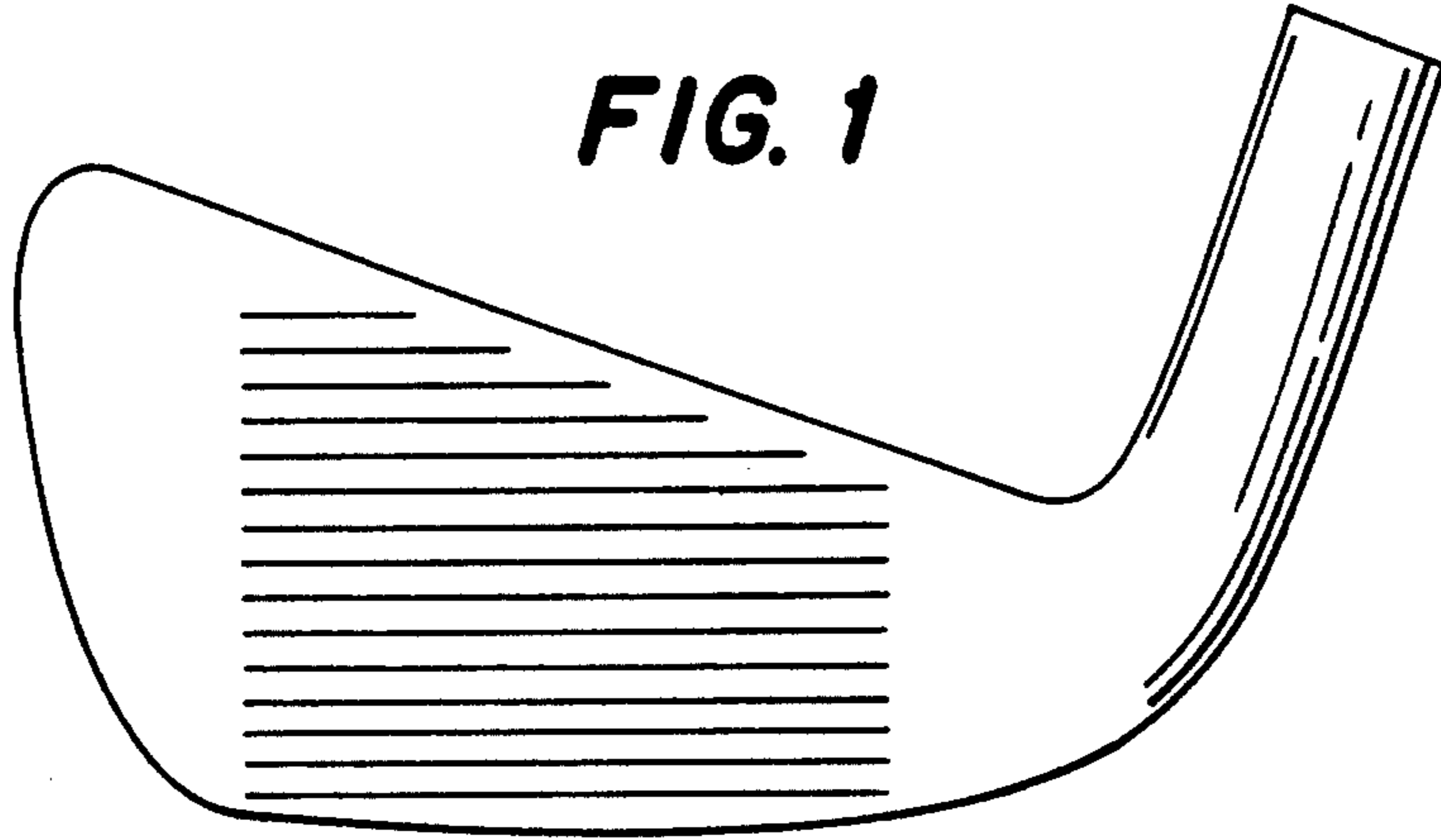


FIG. 2

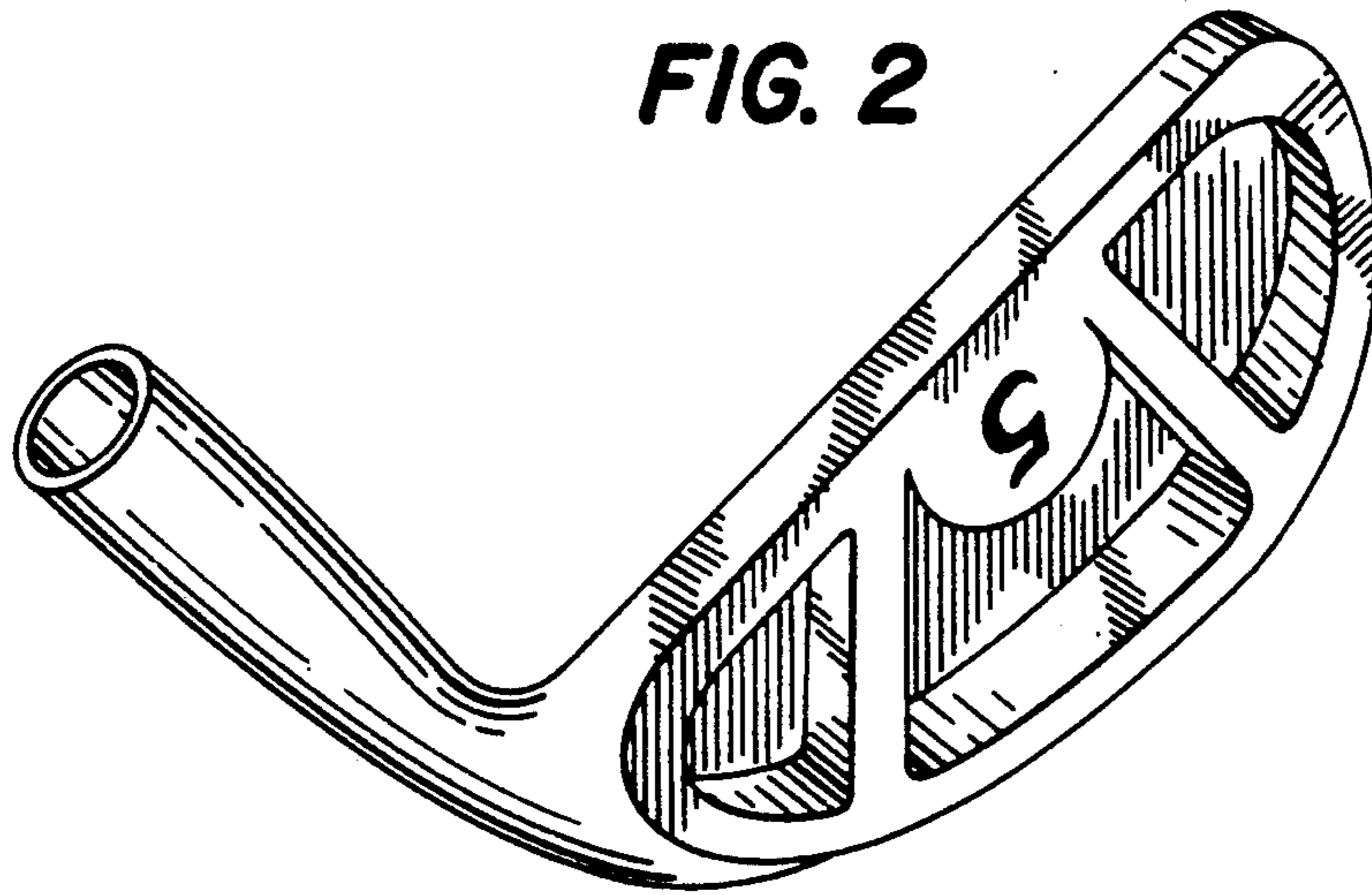


FIG. 3

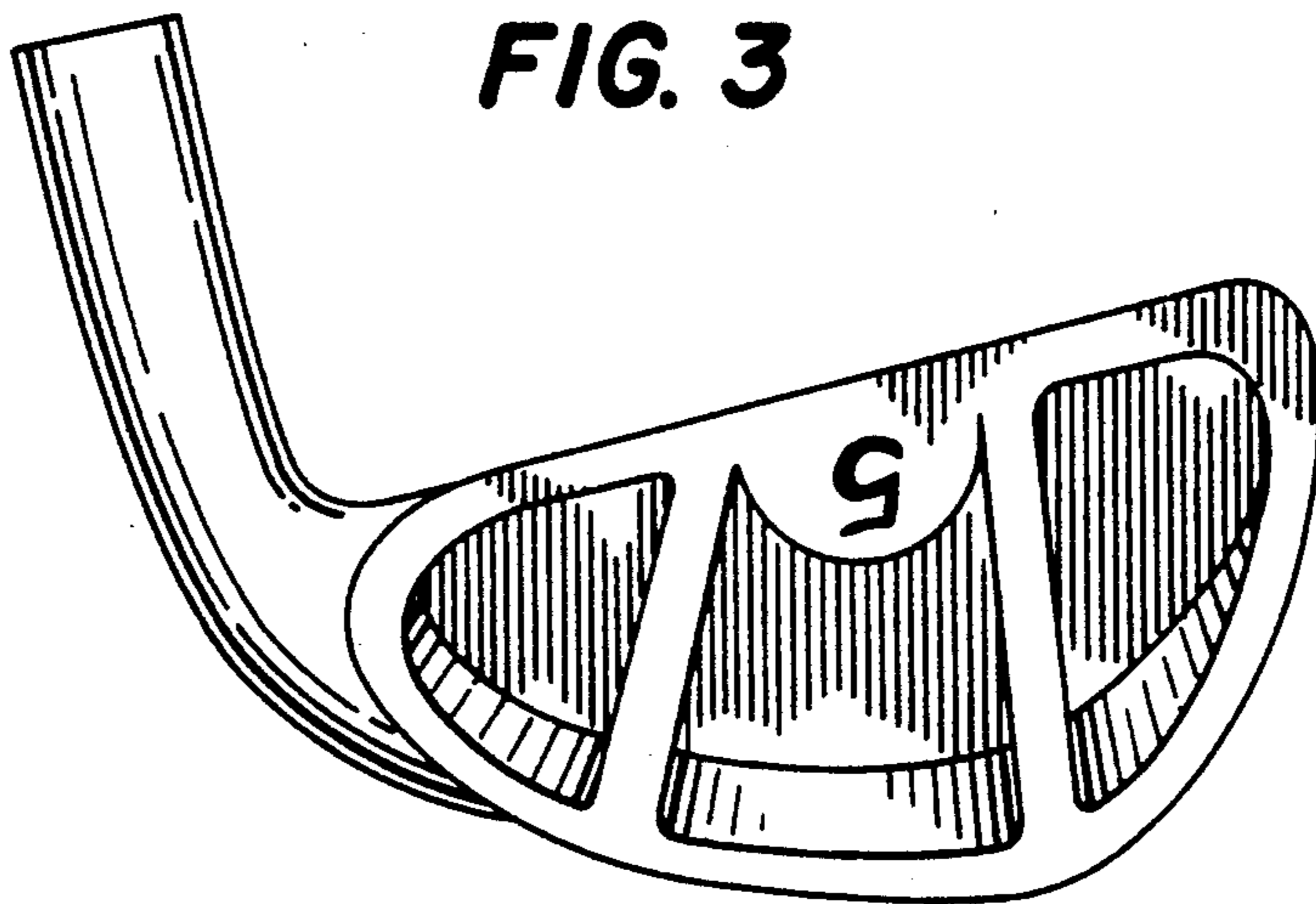


FIG. 4

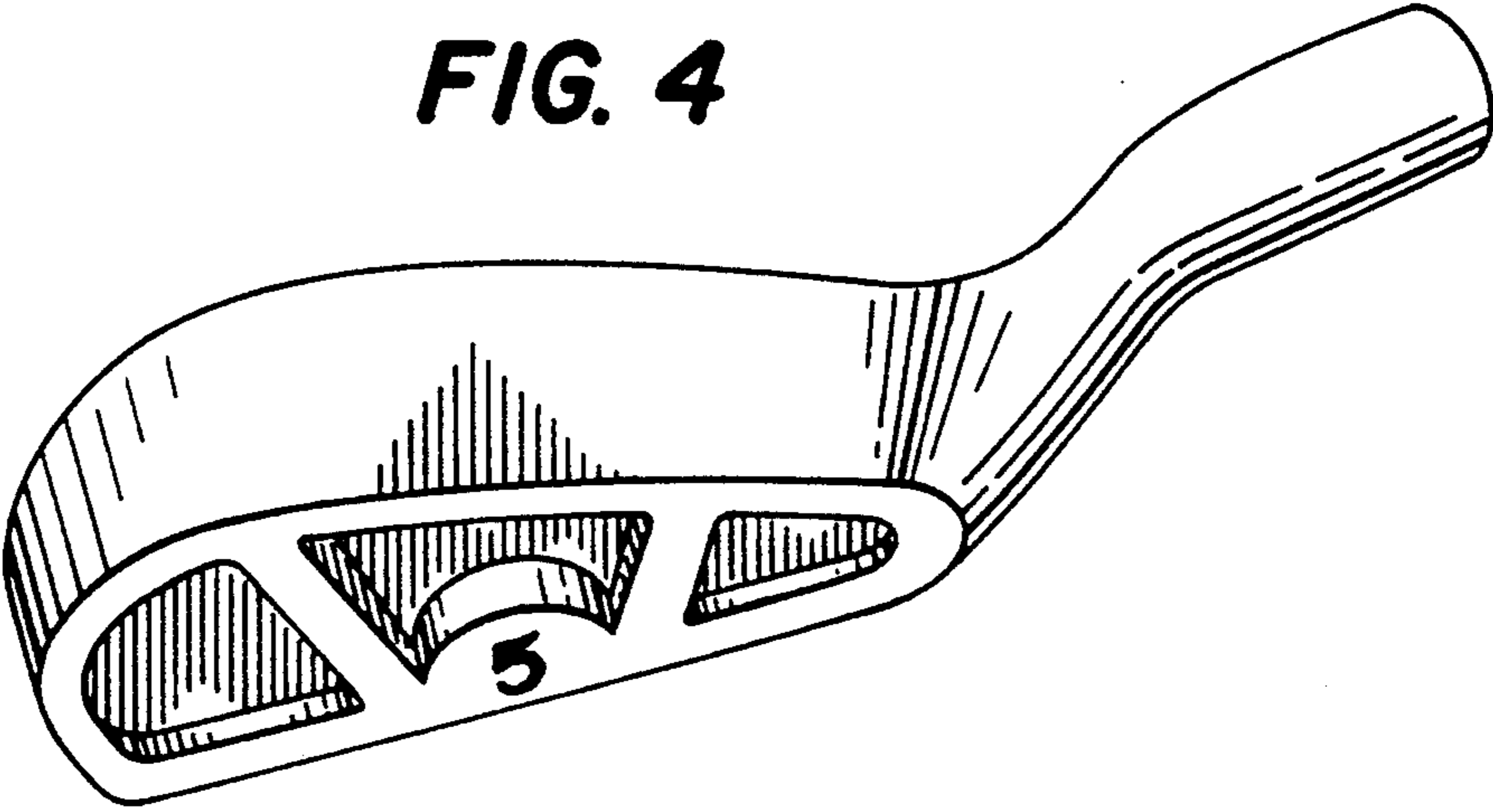


FIG. 5

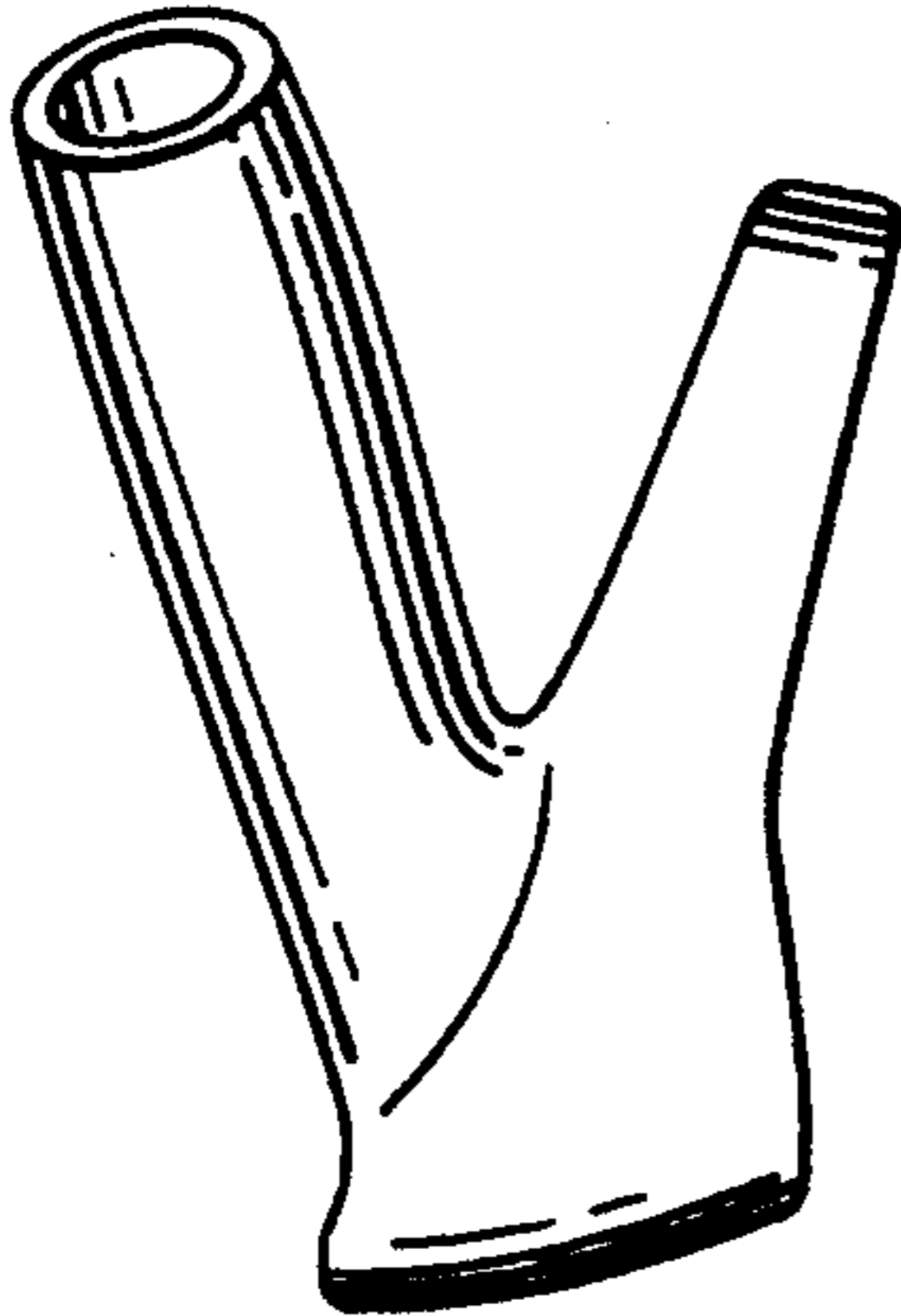


FIG. 6

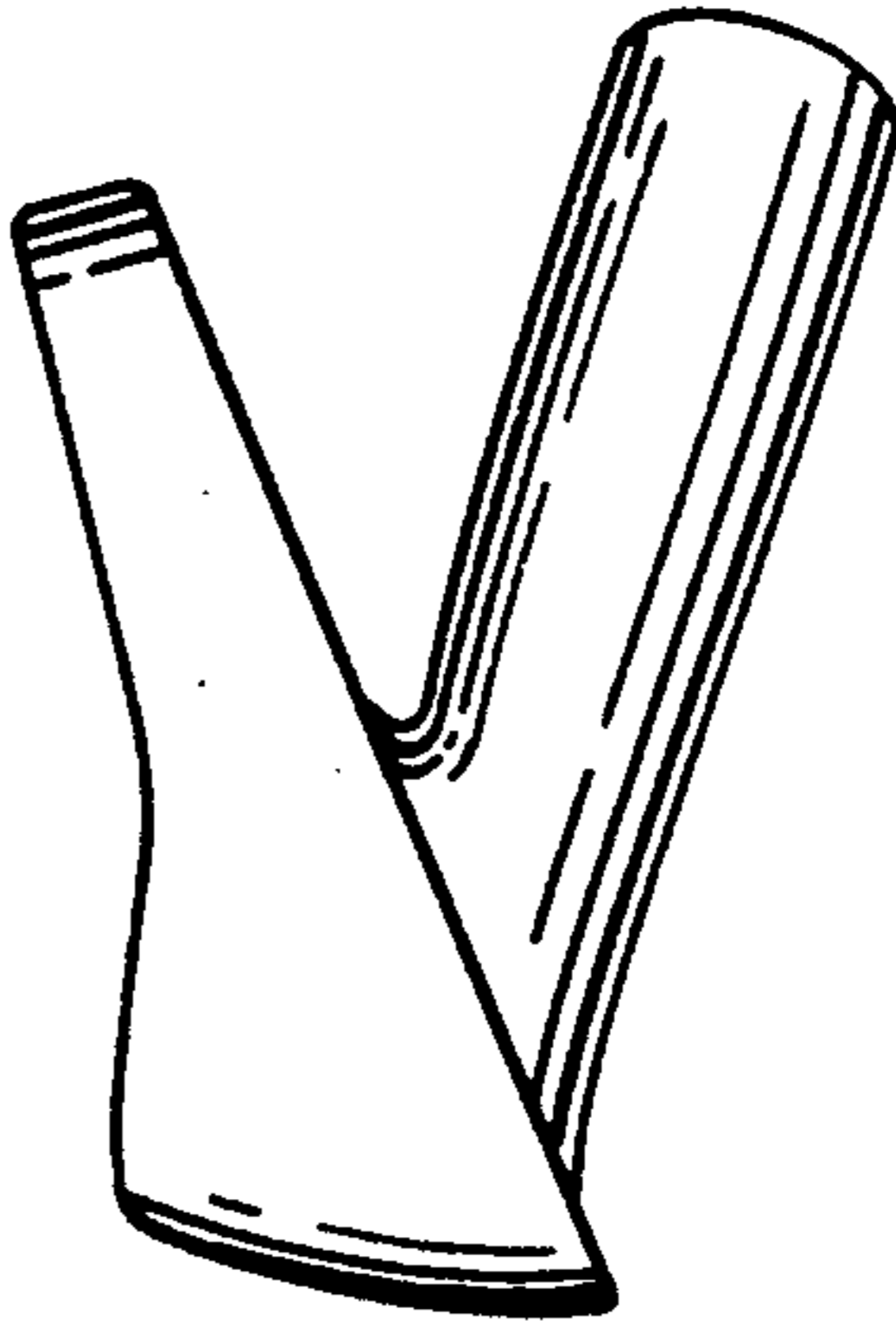


FIG. 7

