



US00D332477S

United States Patent [19]

[11] Patent Number: **Des. 332,477**

Tusquets Blanca

[45] Date of Patent: **** Jan. 12, 1993**

[54] **GOLF PUTTER HEAD**

[56] **References Cited**

[75] Inventor: **Oscar Tusquets Blanca**, Barcelona, Spain

U.S. PATENT DOCUMENTS

- D. 275,215 8/1984 Bernhardt D21/219
- D. 281,092 10/1985 Mills D21/217
- D. 285,232 8/1986 Collins D21/219

[73] Assignee: **Makser, S.A.**, Las Arenas, Spain

Primary Examiner—Melvin B. Feifer
Attorney, Agent, or Firm—Browdy and Neimark

[**] Term: **14 Years**

[57] **CLAIM**

The ornamental design for a golf putter head, as shown and described.

[21] Appl. No.: **552,266**

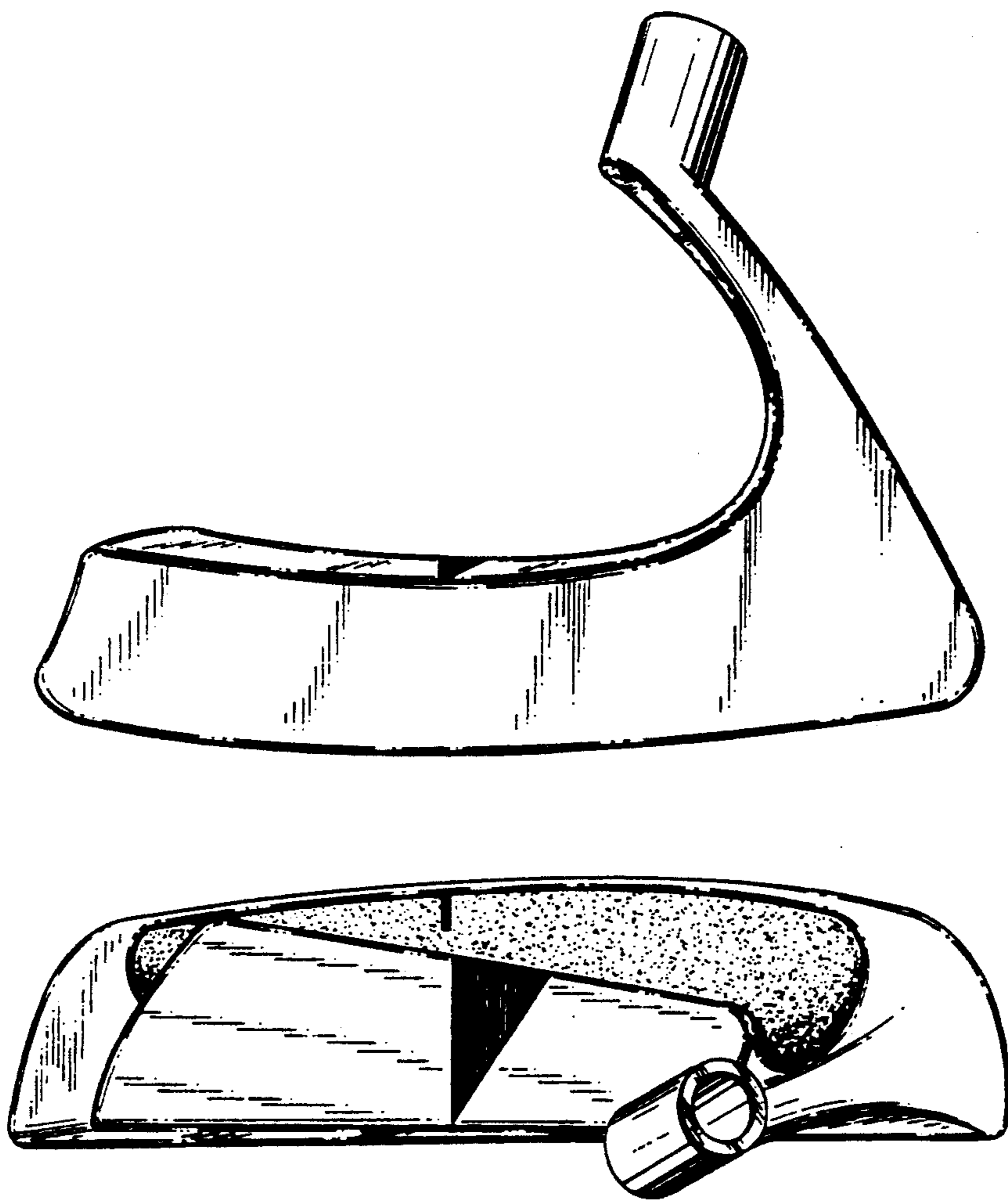
DESCRIPTION

[22] Filed: **Jul. 13, 1990**

FIG. 1 is a front elevational view of a golf putter head showing my new design;
 FIG. 2 is a side elevational view taken from the right of FIG. 1;
 FIG. 3 is a side elevational view taken from the left of FIG. 1;
 FIG. 4 is a top plan view thereof;
 FIG. 5 is a rear elevational view thereof; and,
 FIG. 6 is a section taken along line I—I of FIG. 5.

[30] Foreign Application Priority Data

- Jan. 25, 1990 [ES] Spain 121086
- [52] U.S. Cl. **D21/219**
- [58] Field of Search D21/214-220;
273/164, 167-175



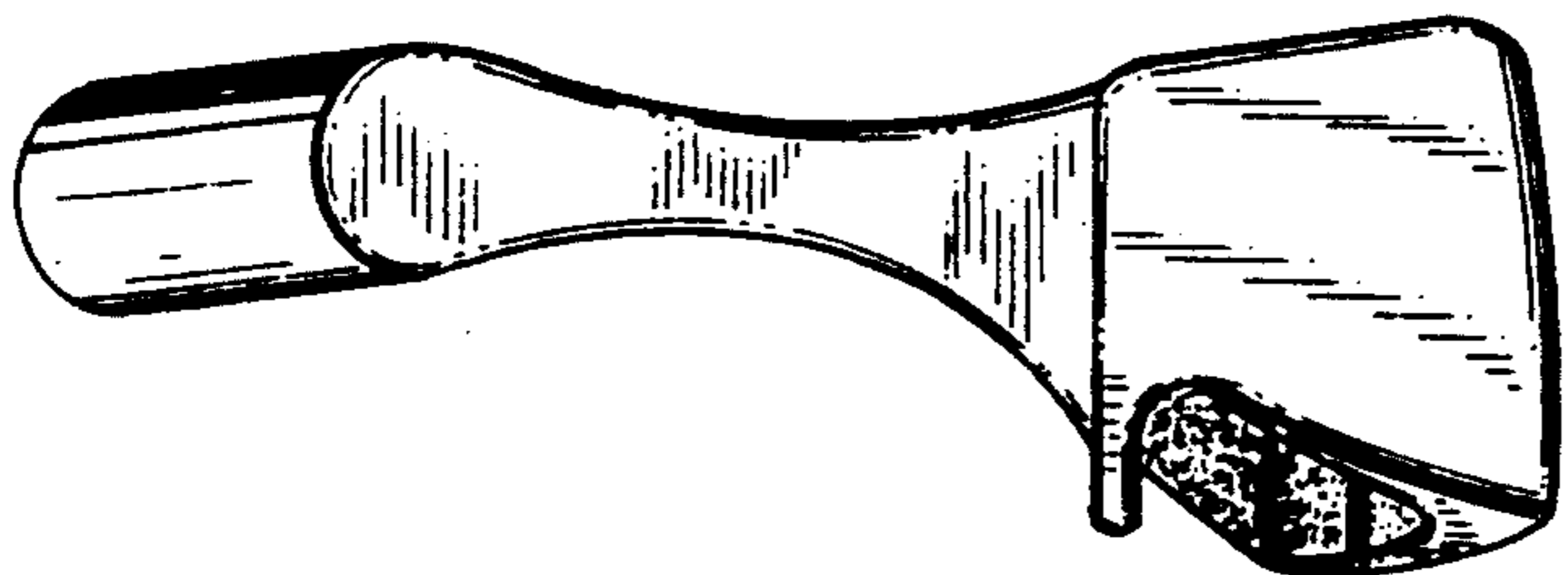


FIG. 2

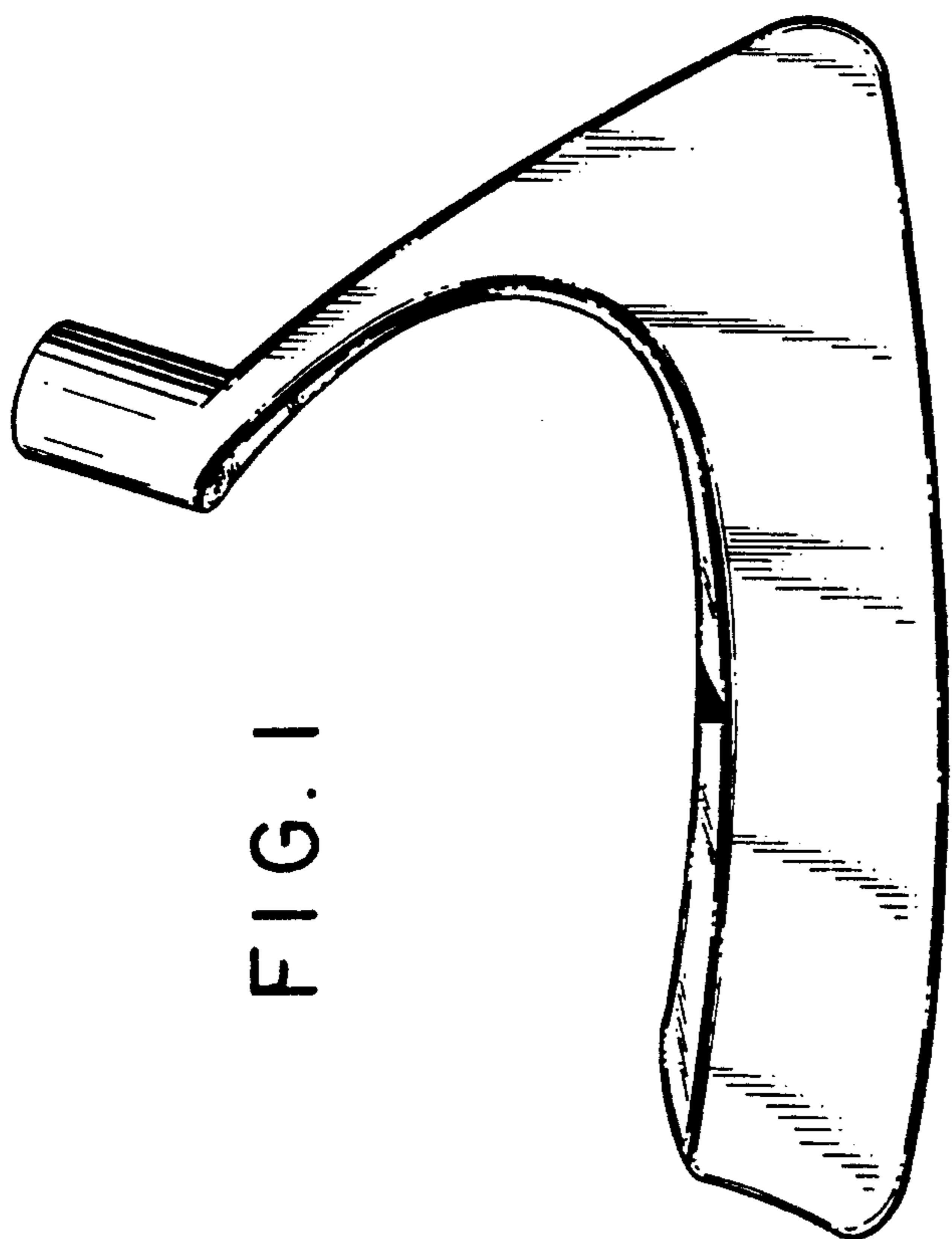


FIG. 1

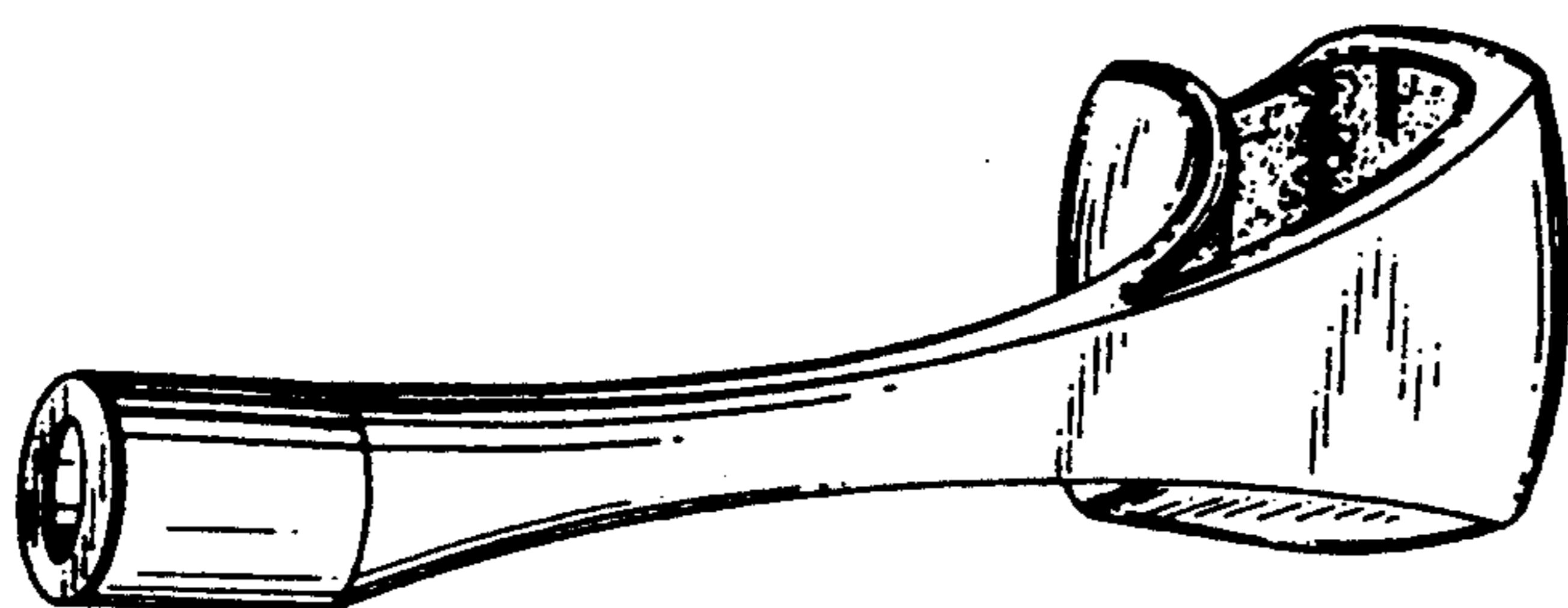


FIG. 3

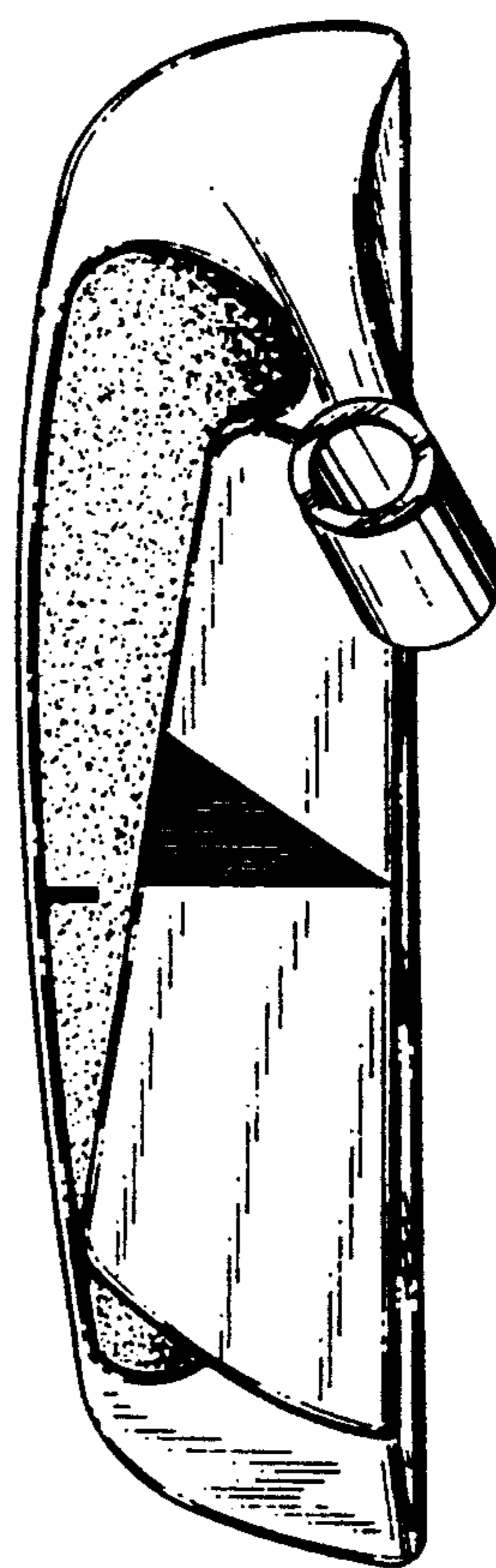


FIG. 4

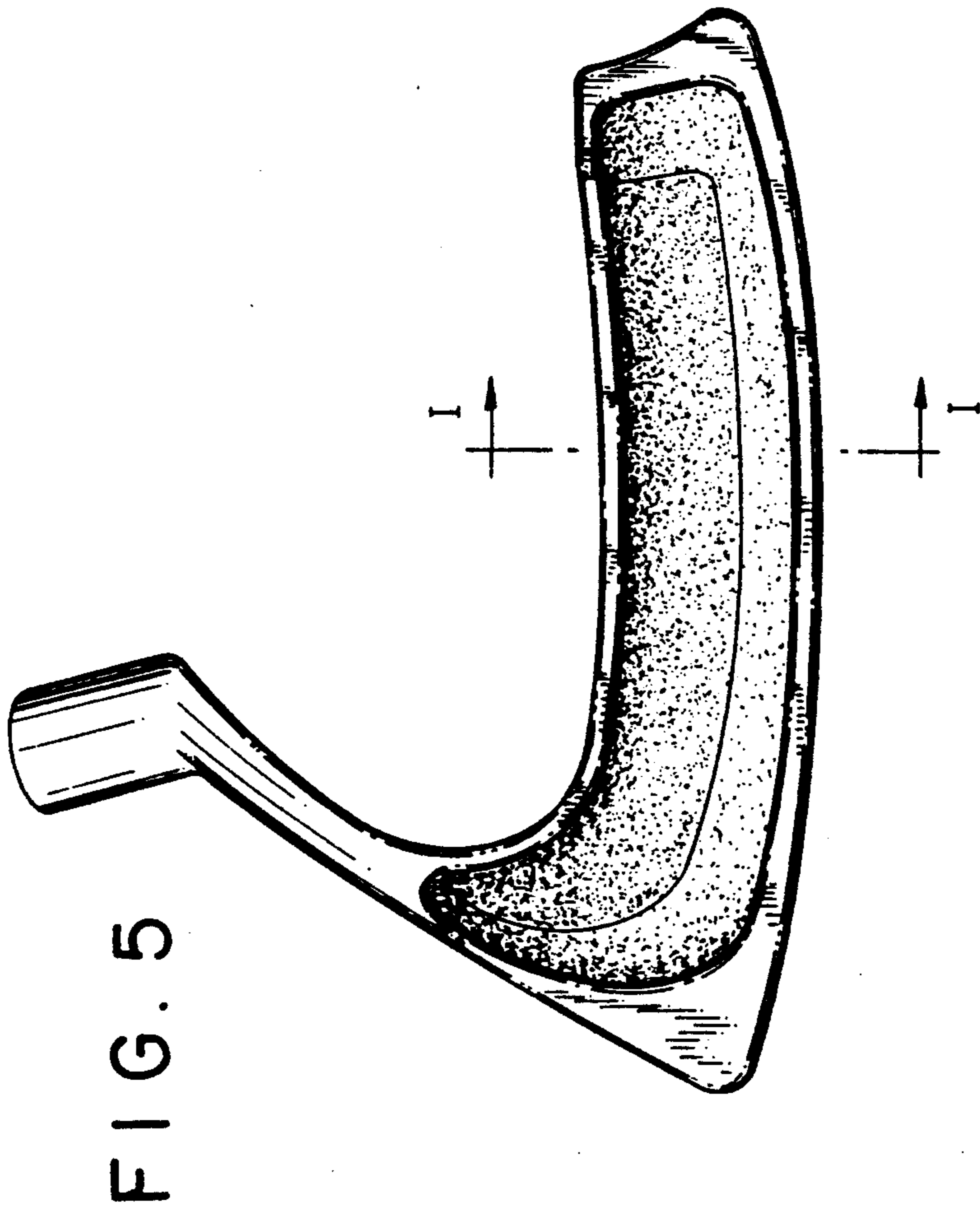


FIG. 6

