



US00D332473S

# United States Patent [19] Chan

[11] Patent Number: **Des. 332,473**

[45] Date of Patent: **\*\* Jan. 12, 1993**

[54] **TOY FILM VIEWER**

[75] Inventor: **Alan Chan**, Federal Way, Wash.

[73] Assignee: **Fascinations Toys & Gifts, Inc.**,  
Seattle, Wash.

[\*\*] Term: **14 Years**

[21] Appl. No.: **693,413**

[22] Filed: **Apr. 30, 1991**

[52] U.S. Cl. .... **D21/110; D16/202**

[58] Field of Search ..... **D21/109, 110, 111, 112,  
D21/113; D14/163, 165, 164, 168, 142, 143,  
149, 118, 125, 126, 225, 228; D10/8, 19, 28;  
D16/202; D20/3, 4, 5, 7; 446/8, 141, 142, 144,  
404, 408; 368/45, 316, 317**

[56] **References Cited**

**U.S. PATENT DOCUMENTS**

D. 207,912	6/1967	Ryan	.....	D21/109
D. 211,803	7/1968	Genin	.....	D21/110
D. 214,702	7/1969	Kiven	.....	D16/202
D. 215,892	11/1969	Olsen	.....	D21/110

D. 303,978	10/1989	Phinney	.....	D21/110
D. 304,201	10/1989	Nitsu	.....	D16/202

**OTHER PUBLICATIONS**

Hong Kong Toys '89 p. 162 left side of page.

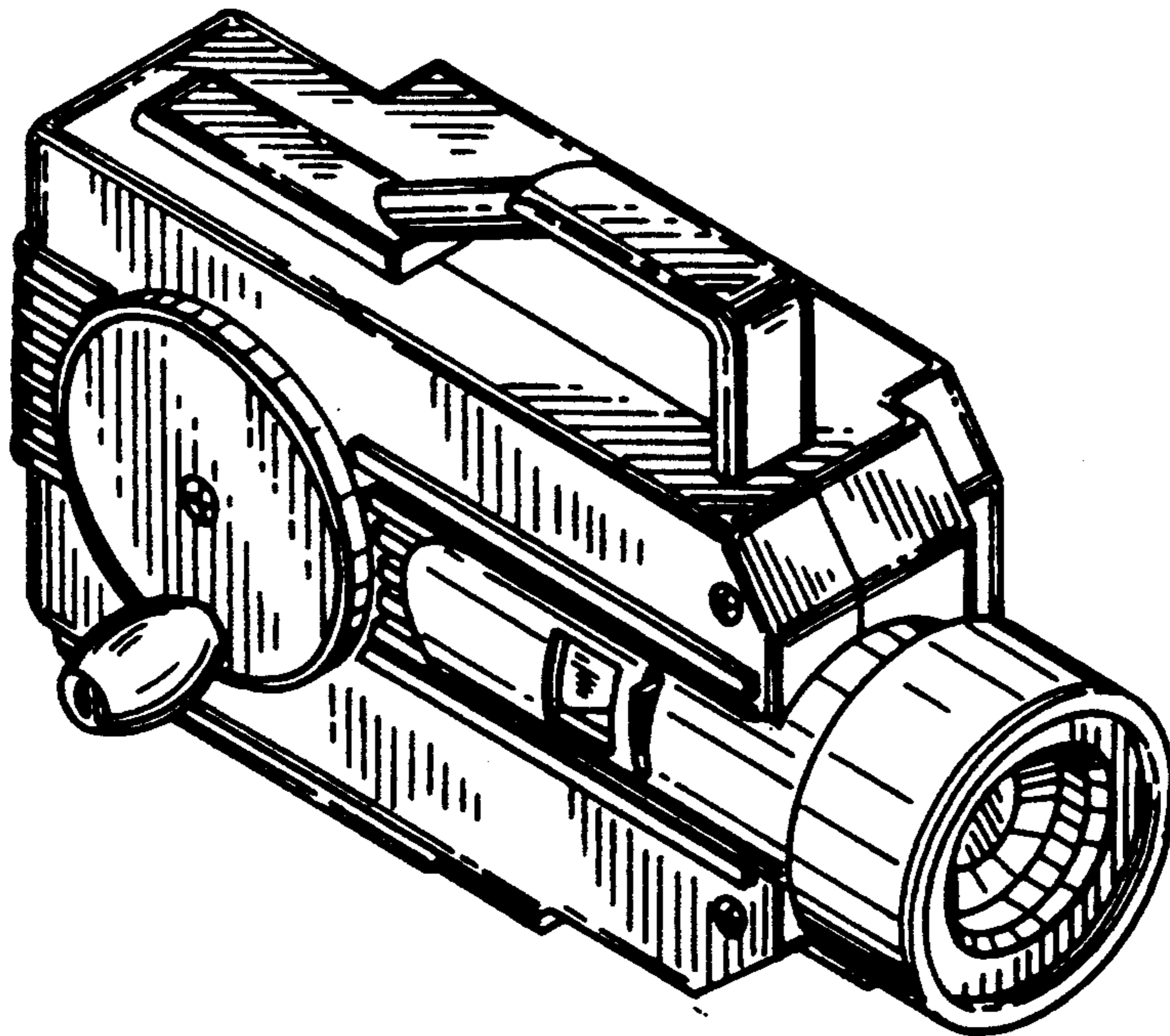
*Primary Examiner*—Bernard Ansher  
*Assistant Examiner*—R. Barkai  
*Attorney, Agent, or Firm*—Leitner, Greene &  
Christensen

[57] **CLAIM**

The ornamental design for a toy film viewer, as shown and described.

**DESCRIPTION**

FIG. 1 is a left, top, front perspective view of a toy film viewer showing my new design;  
FIG. 2 is a top plan view thereof;  
FIG. 3 is a bottom plan view thereof;  
FIG. 4 is a left side elevational view thereof;  
FIG. 5 is a right side elevational view thereof;  
FIG. 6 is a front elevational view thereof; and,  
FIG. 7 is a rear elevational view thereof.



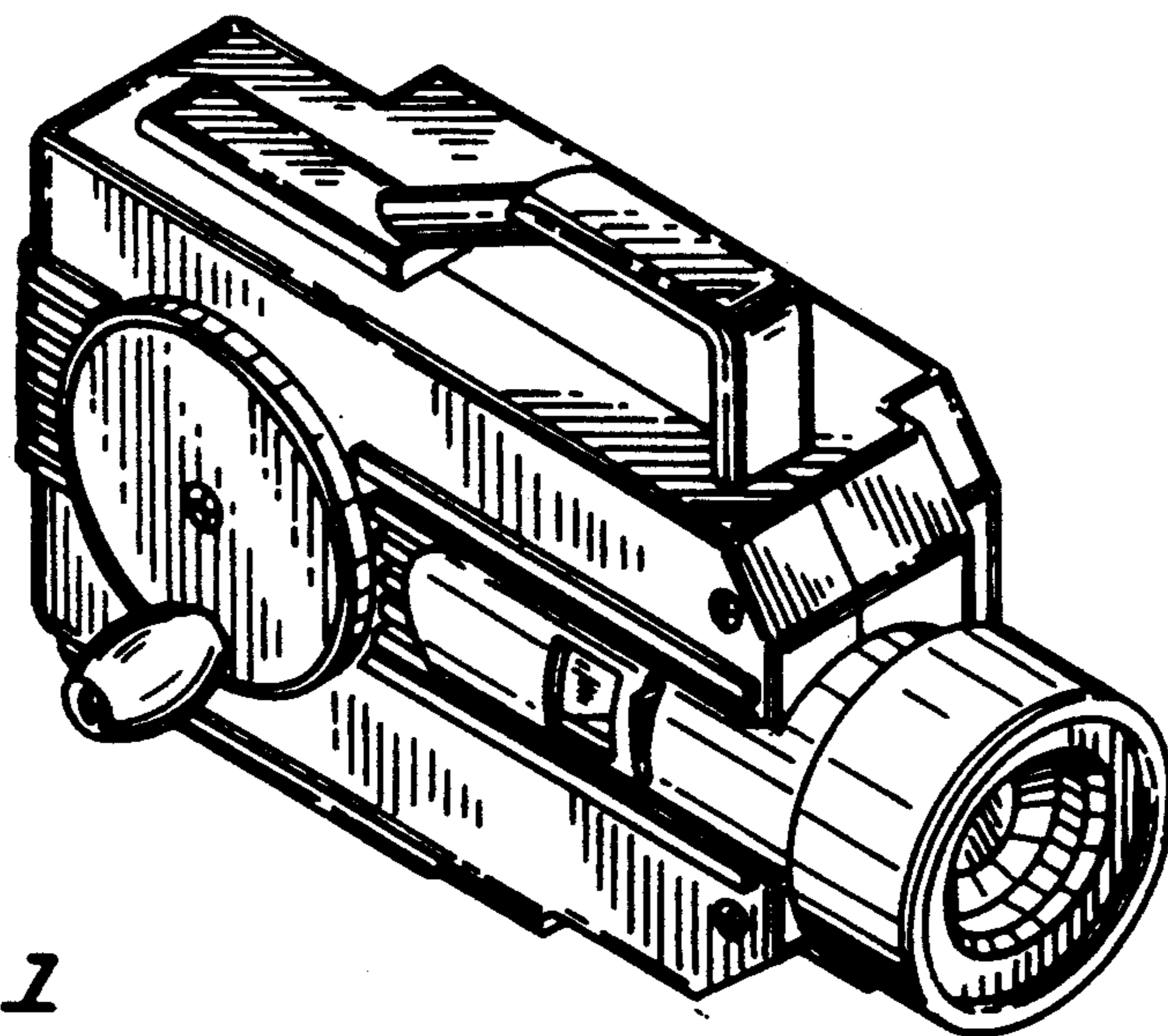


FIG. 1

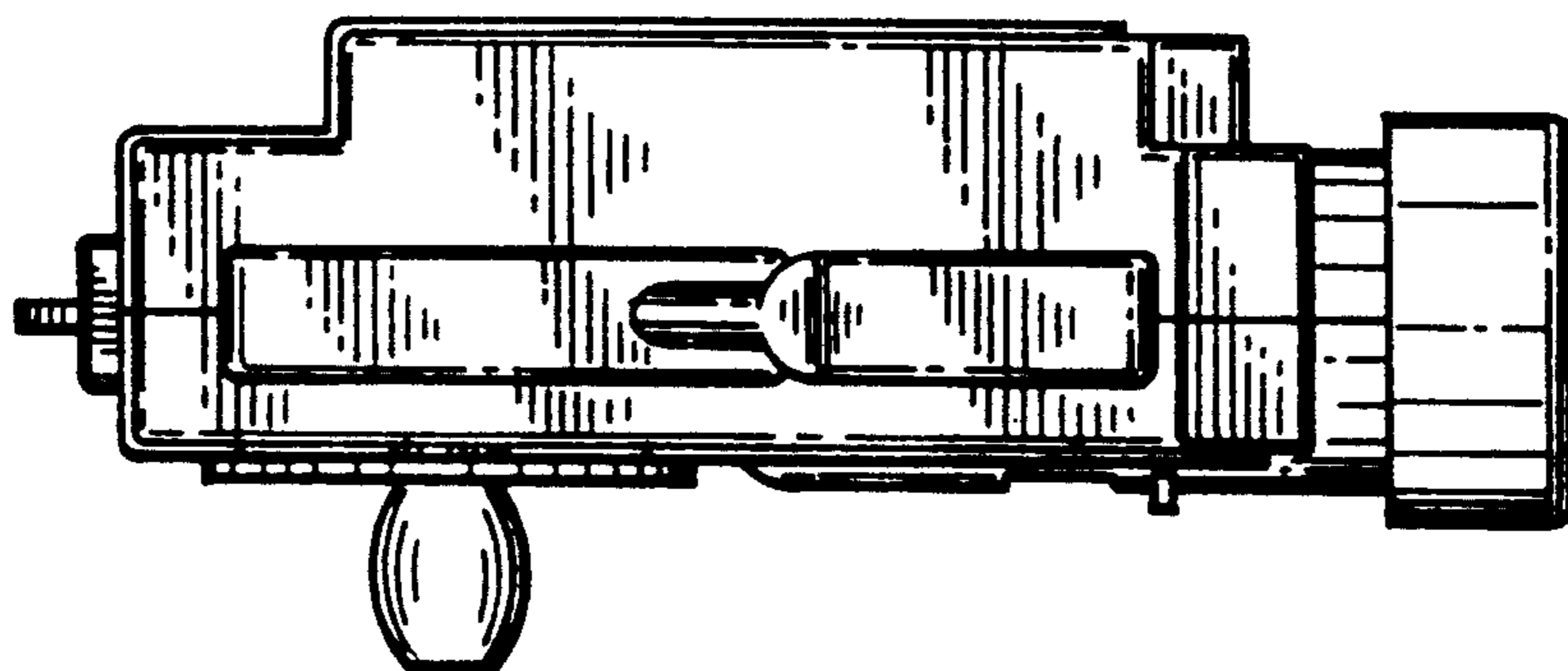


FIG. 2

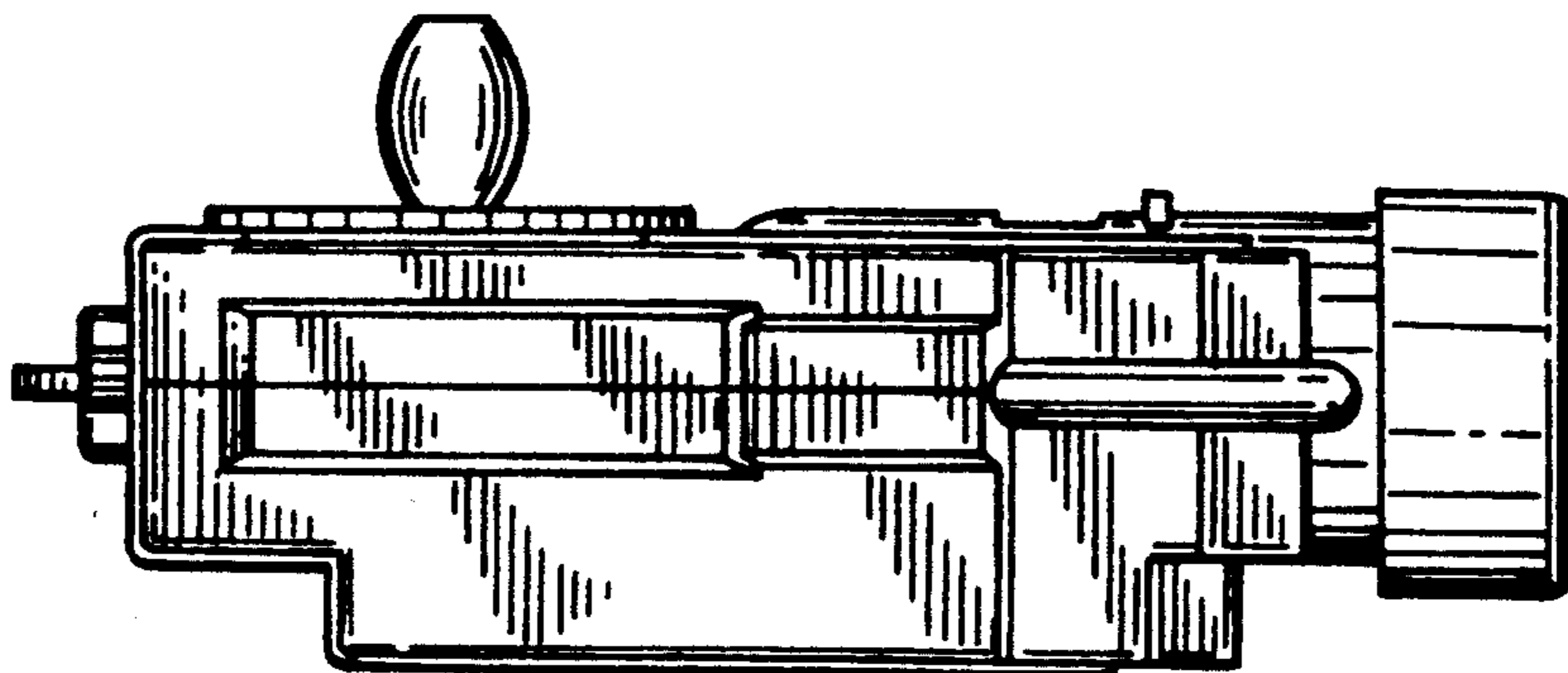


FIG. 3

FIG. 4

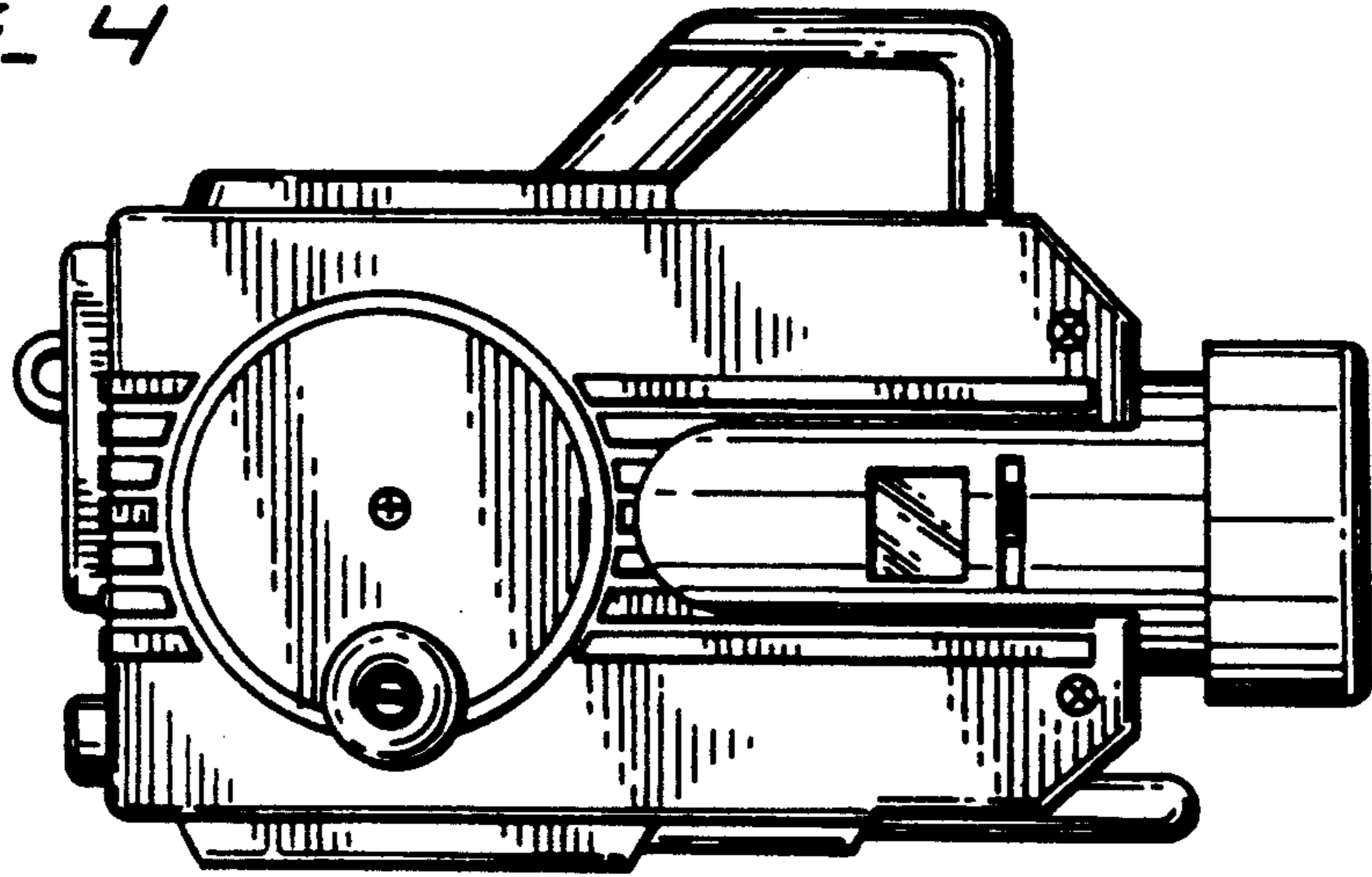


FIG. 5

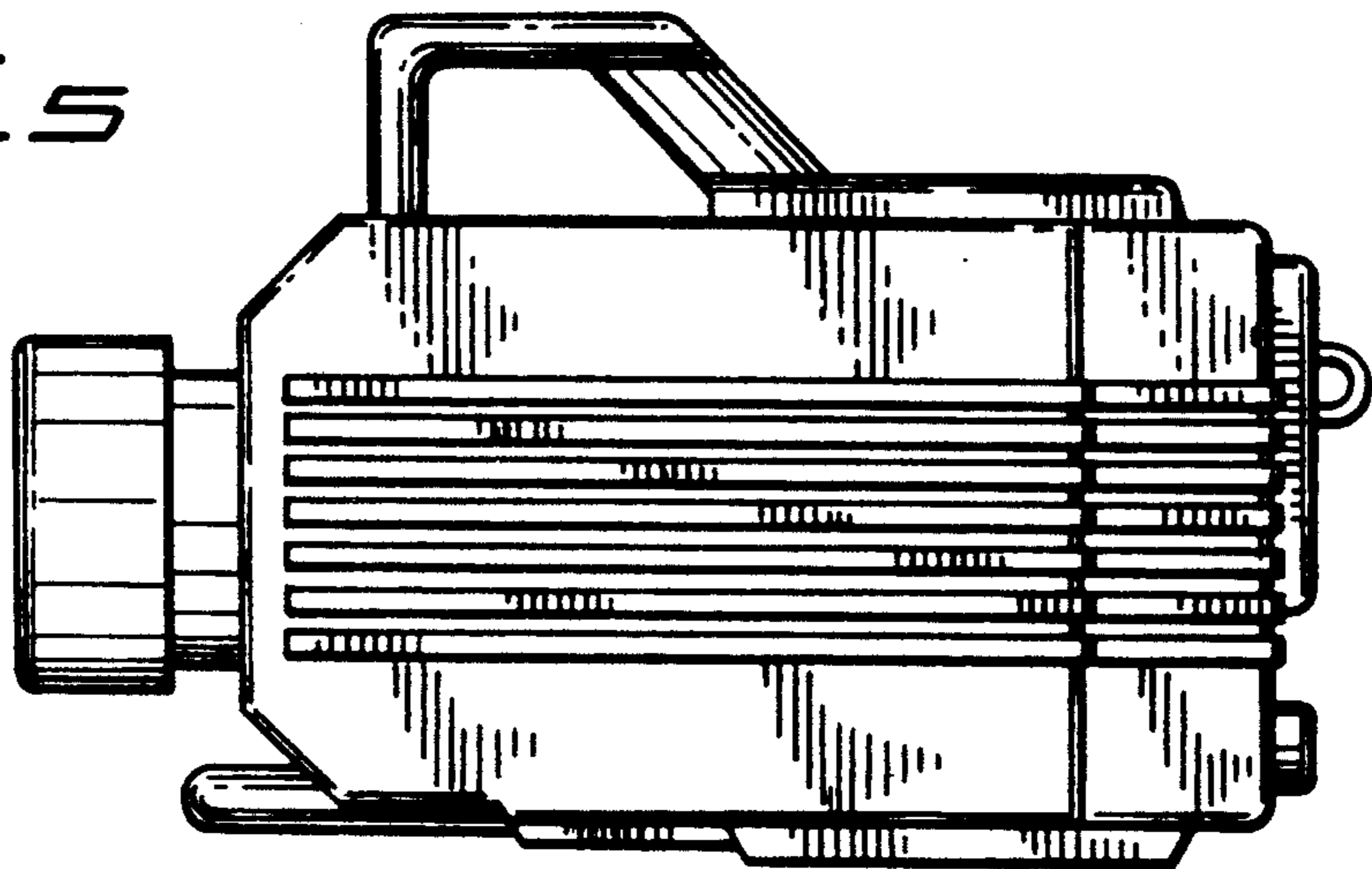


FIG. 6

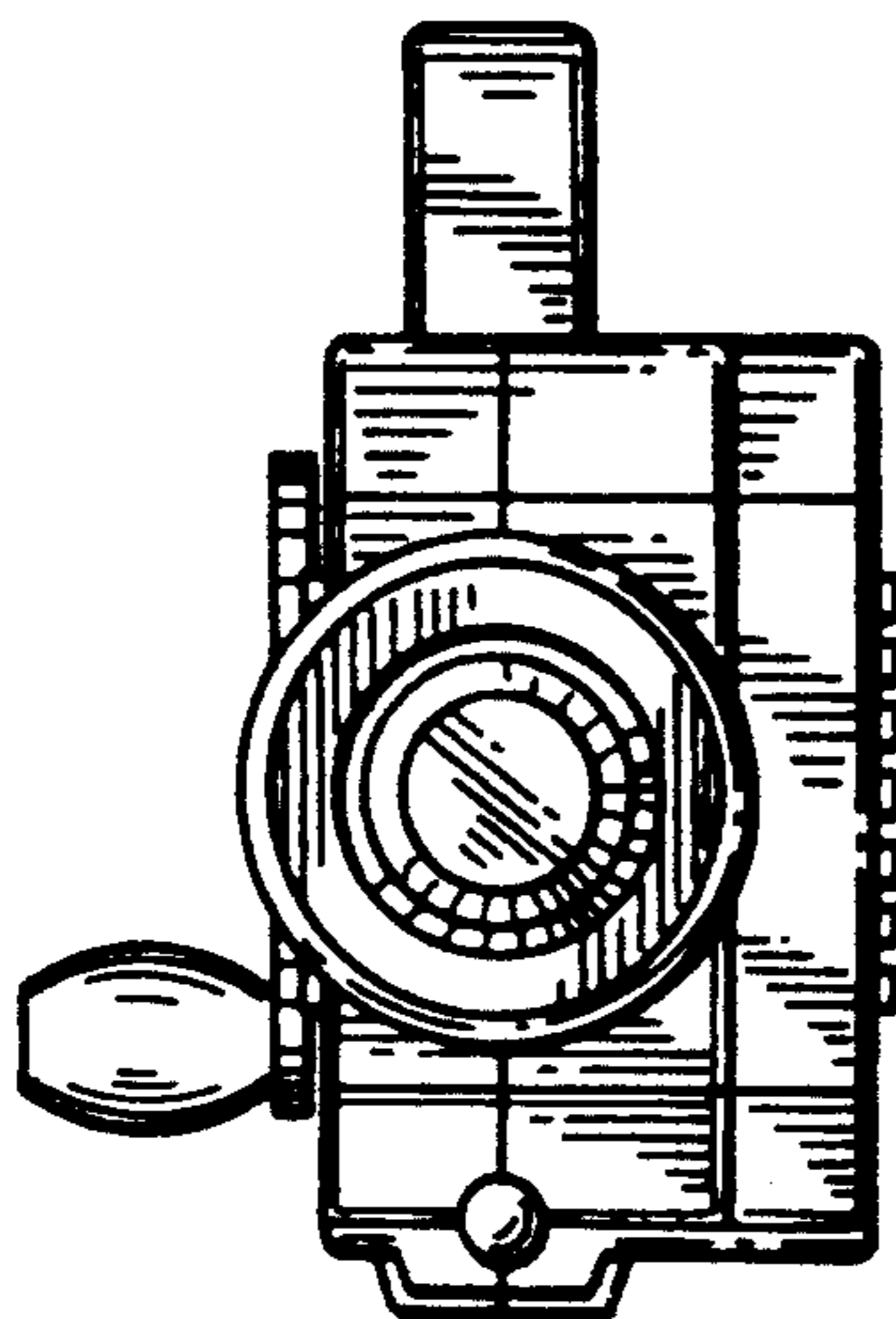


FIG. 7

