



US00D332464S

# United States Patent [19]

[11] Patent Number: Des. 332,464

Doi et al.

[45] Date of Patent: \*\* Jan. 12, 1993

## [54] OFFSET PRINTING MACHINE

[75] Inventors: Tetsuyuki Doi; Hideo Aoyama; Katsushi Hirokawa, all of Hiroshima, Japan

[73] Assignee: Ryobi Ltd., Hiroshima, Japan

[\*\*] Term: 14 Years

[21] Appl. No.: 804,209

[22] Filed: Dec. 9, 1991

### [30] Foreign Application Priority Data

Jun. 10, 1991 [JP]	Japan	3-17226
[52] U.S. Cl.		D18/53
[58] Field of Search		D18/50-51, D18/53, 54-56; 101/136-140, 142, 177-181, 183-184, DIG. 47

### [56] References Cited

#### U.S. PATENT DOCUMENTS

D. 290,966	7/1987	Saito et al.	D18/53
D. 323,844	2/1992	Kitamura et al.	D18/53
4,777,876	10/1988	Ishii	101/177
4,976,197	12/1990	Yamanari et al.	101/137

## FOREIGN PATENT DOCUMENTS

745116 6/1988 Japan .

## OTHER PUBLICATIONS

Komori Printing Machinery Co., Ltd. brochure; Sprint 26; 1986; cover photo.  
Lithoweek; Oct. 28, 1987; p. 2; Ryobi 3302M advertisement.  
Ryobi; 522 brochure; Jan. 1991; cover photograph.

Primary Examiner—A. Hugo Word  
Assistant Examiner—Cathy Anne MacCormac  
Attorney, Agent, or Firm—Sughrue, Mion, Zinn, Macpeak & Seas

## [57] CLAIM

The ornamental design for an offset printing machine, as shown.

## DESCRIPTION

FIG. 1 is a front, top and right side perspective view of an offset printing machine showing our new design; FIG. 2 is a front elevational view thereof; FIG. 3 is a rear elevational view thereof; FIG. 4 is a left side elevational view thereof; FIG. 5 is a right side elevational view thereof; and, FIG. 6 is a top plan view thereof.

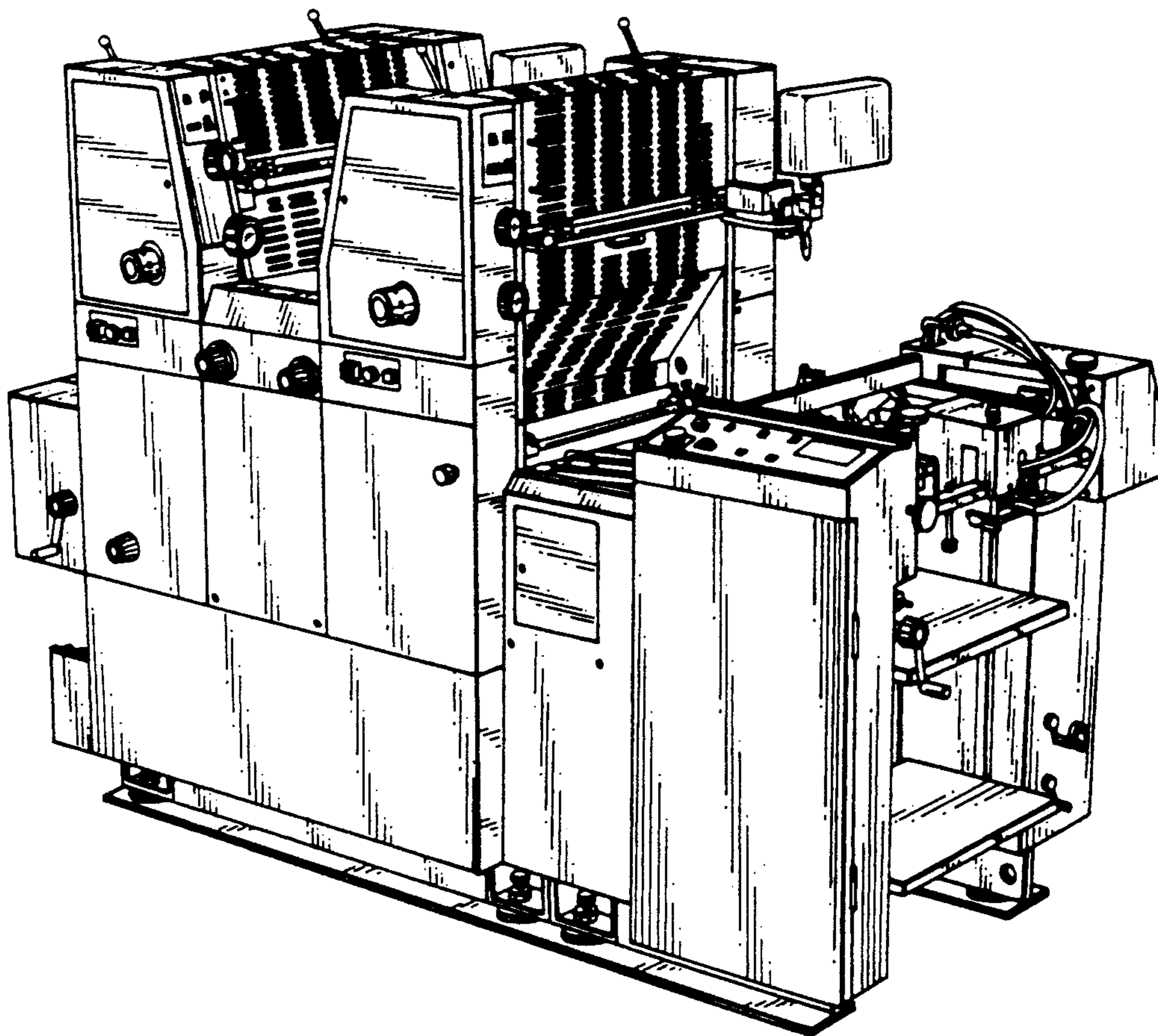


Fig. 1

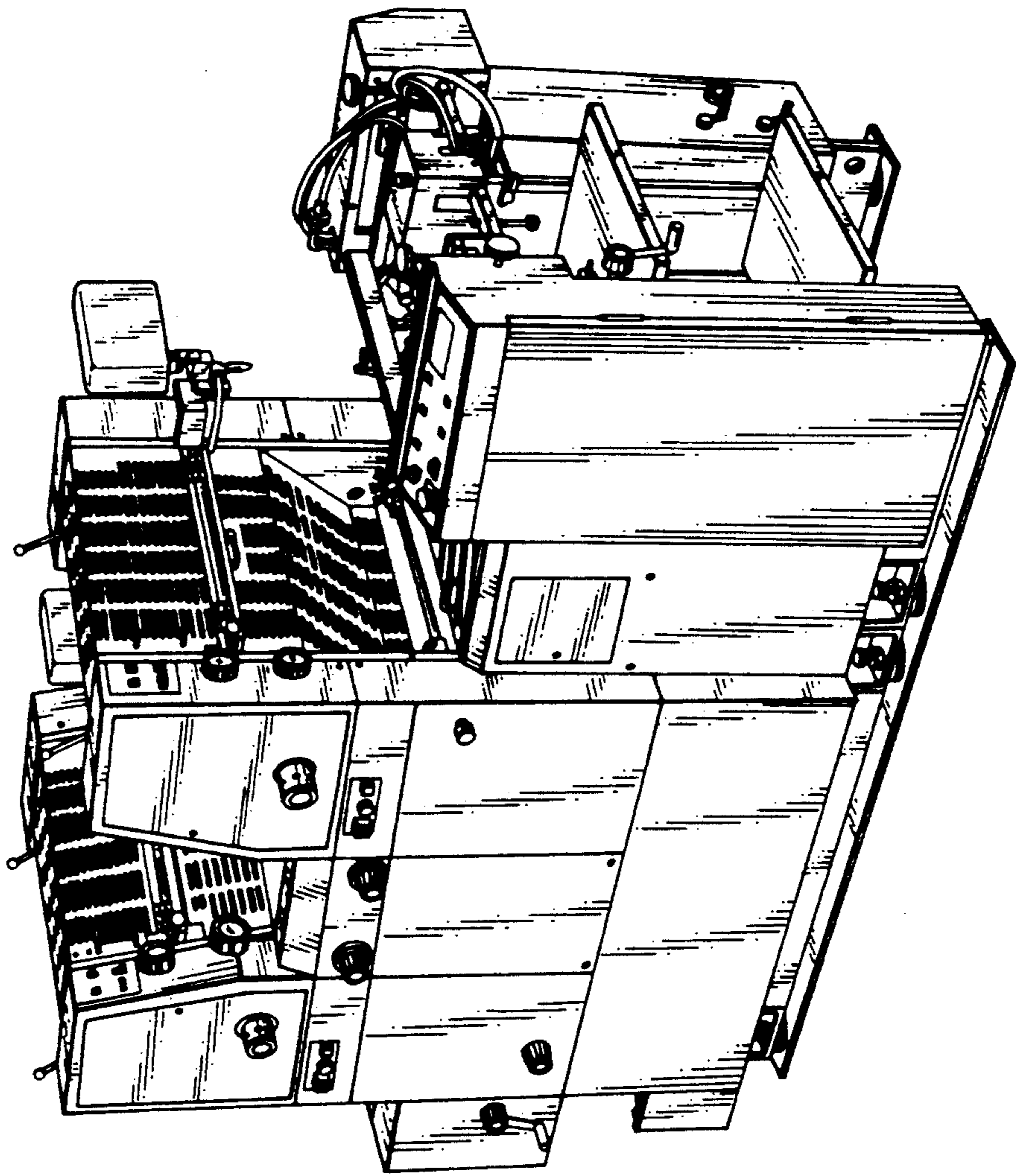


Fig. 2

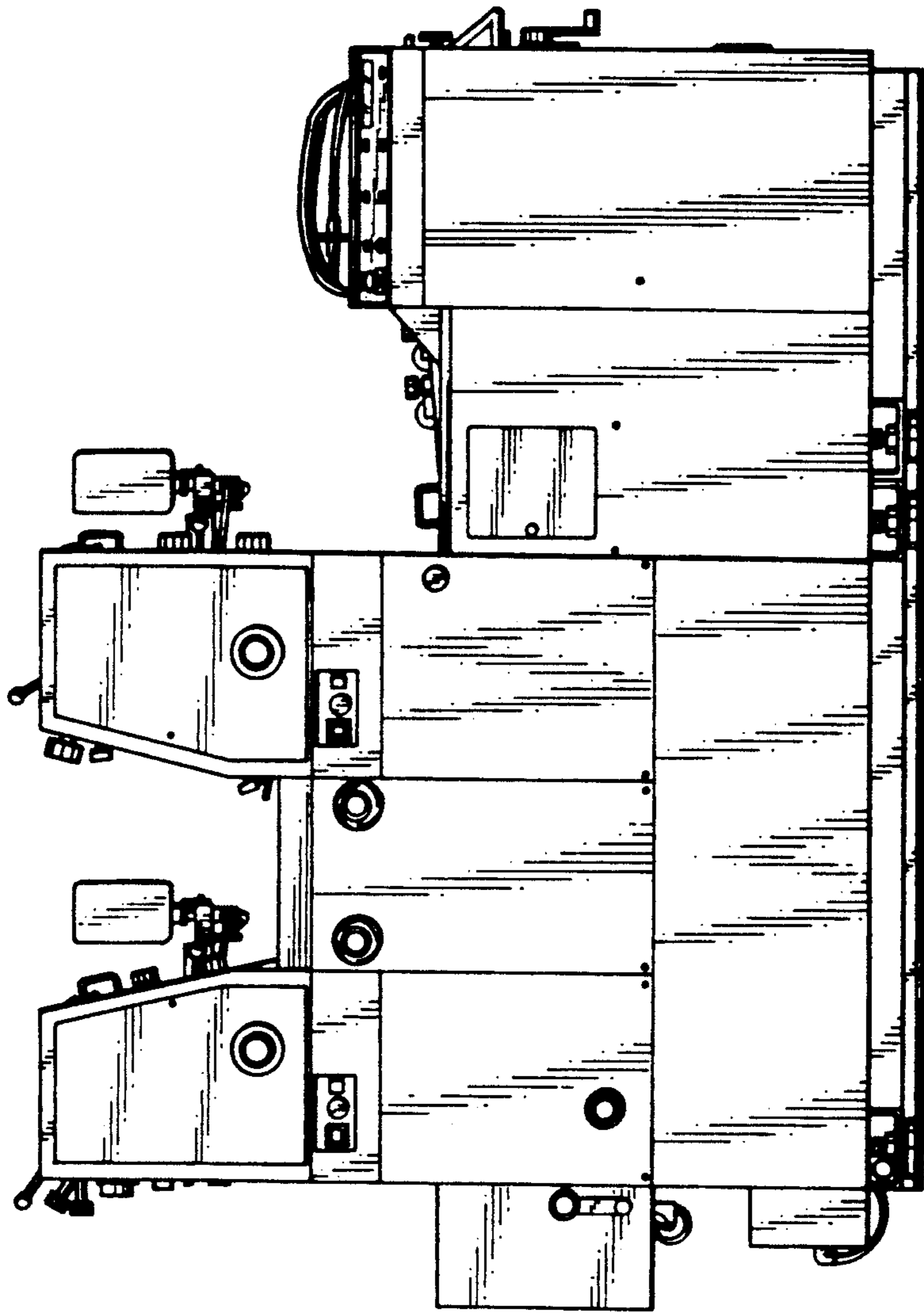


Fig. 3

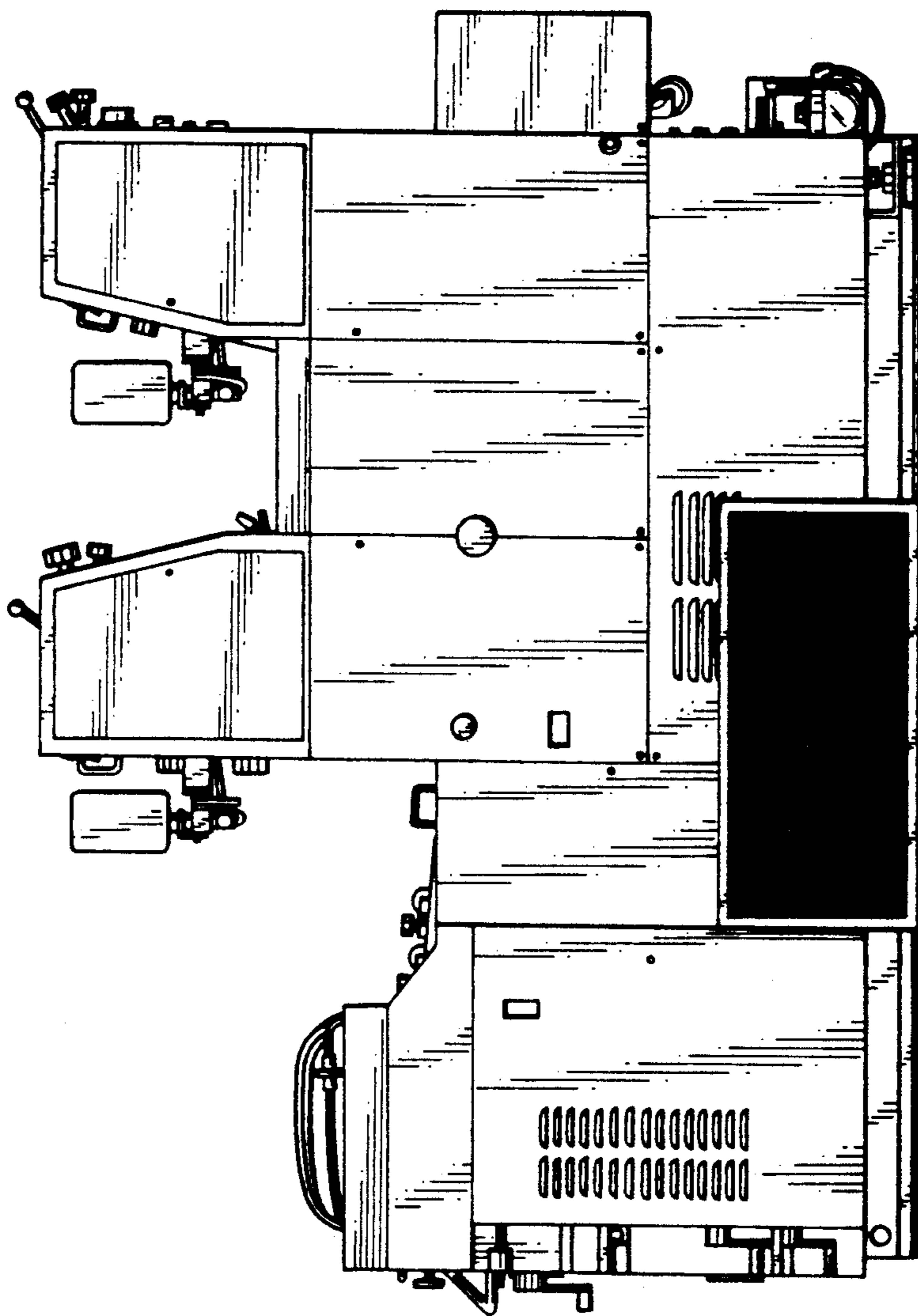


Fig. 5

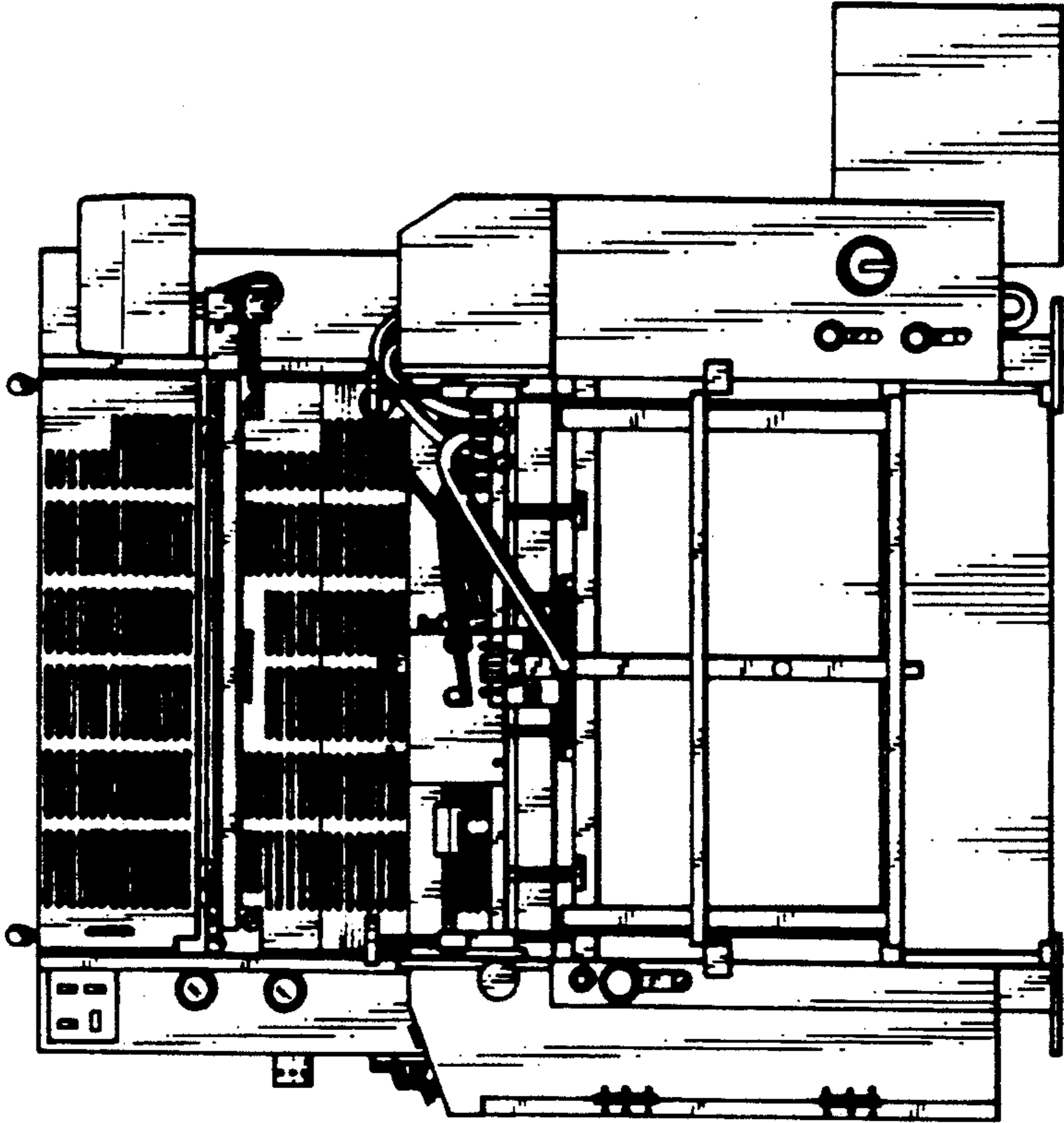
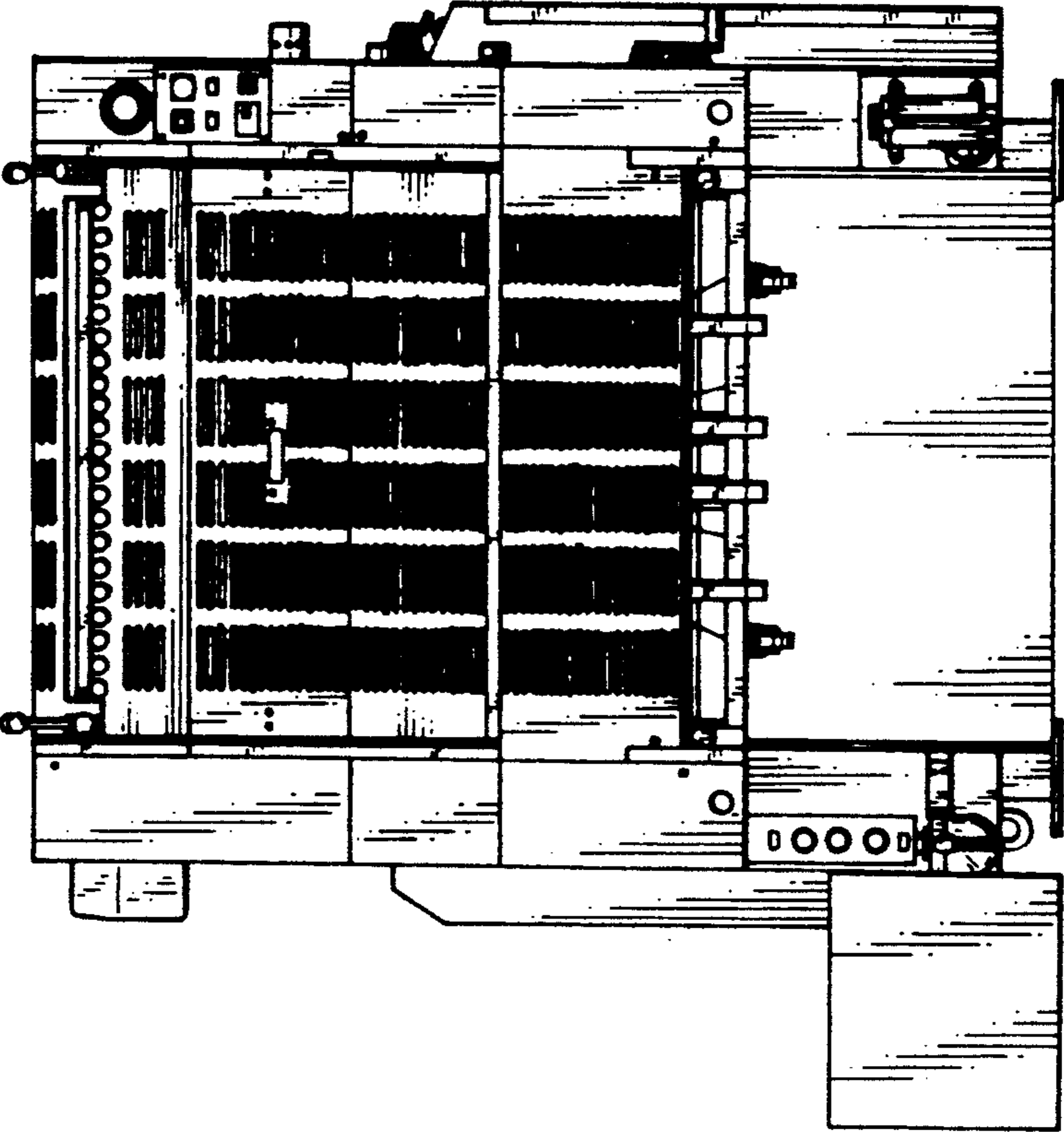


Fig. 4



*Fig. 6*

