



US00D332456S

United States Patent [19]
Humphrey

[11] **Patent Number: Des. 332,456**

[45] **Date of Patent: ** Jan. 12, 1993**

[54] **WHEELED HOPPER FOR SANDBLASTING MACHINE**

4,067,150 1/1978 Merrigan 51/439 X
4,233,785 11/1980 Abell 51/436 X
4,646,482 3/1987 Chitjian 51/429 X

[75] **Inventor: William C. Humphrey, Raleigh, N.C.**

Primary Examiner—Alan P. Douglas
Assistant Examiner—Antoine D. Davis
Attorney, Agent, or Firm—Bell, Seltzer, Park & Gibson

[73] **Assignee: Southern Case, Inc., Raleigh, N.C.**

[**] **Term: 14 Years**

[57] **CLAIM**

[21] **Appl. No.: 709,143**

The ornamental design for a wheeled hopper for a sandblasting machine, as shown.

[22] **Filed: May 31, 1991**

[52] **U.S. Cl. D15/123**

DESCRIPTION

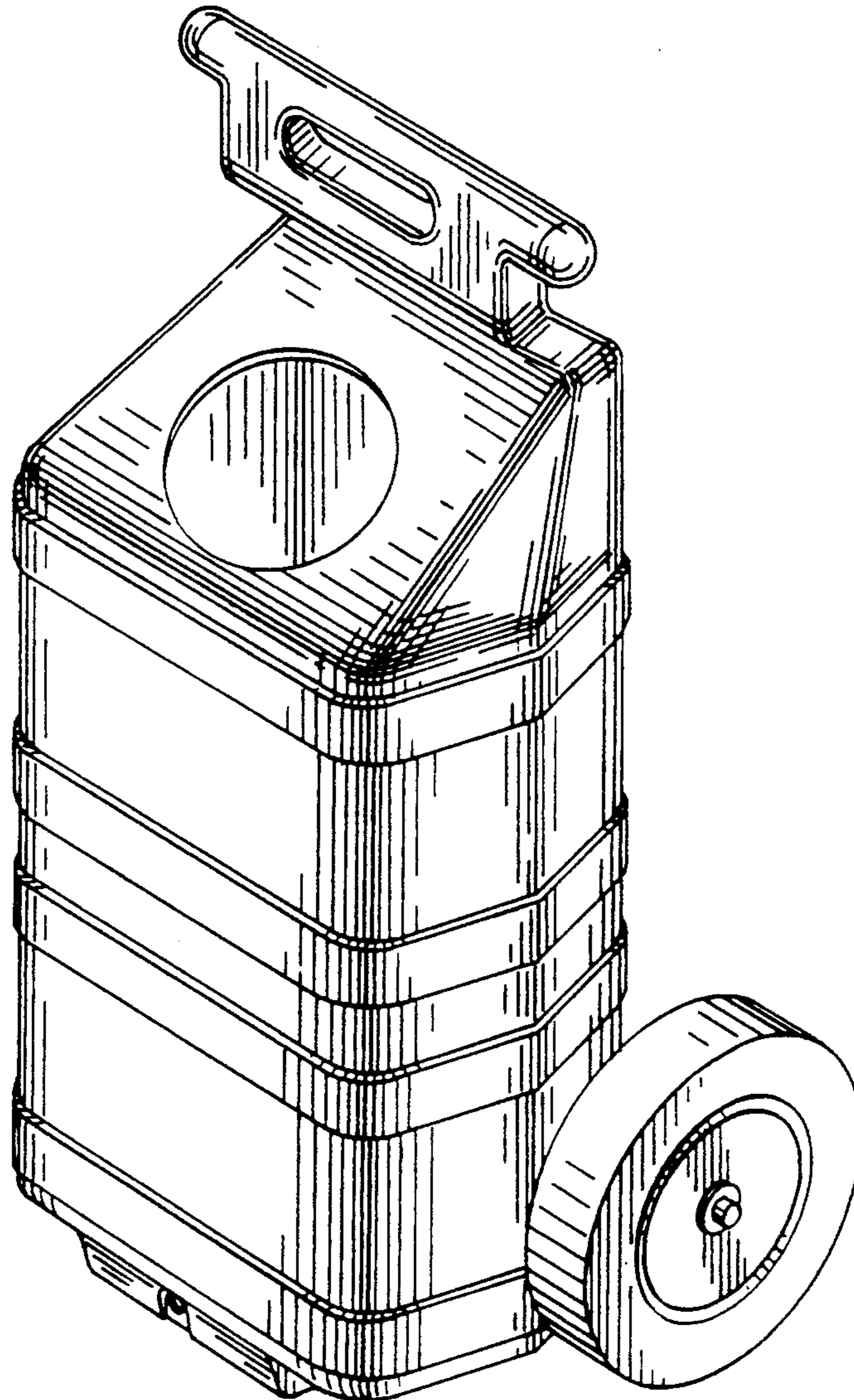
[58] **Field of Search D15/123, 199; D3/30.1, D3/73; 51/319, 410, 426, 427, 429, 436, 439**

FIG. 1 is a front right perspective view of a wheeled hopper showing my new design;
FIG. 2 is a front elevational view;
FIG. 3 is a left side elevational view thereof;
FIG. 4 is a rear elevational view;
FIG. 5 is a top plan view; and,
FIG. 6 is a bottom plan view.

[56] **References Cited**

U.S. PATENT DOCUMENTS

D. 118,054 12/1939 Prahl, Jr. et al. D15/199
D. 273,196 3/1984 Radtke D15/199 X



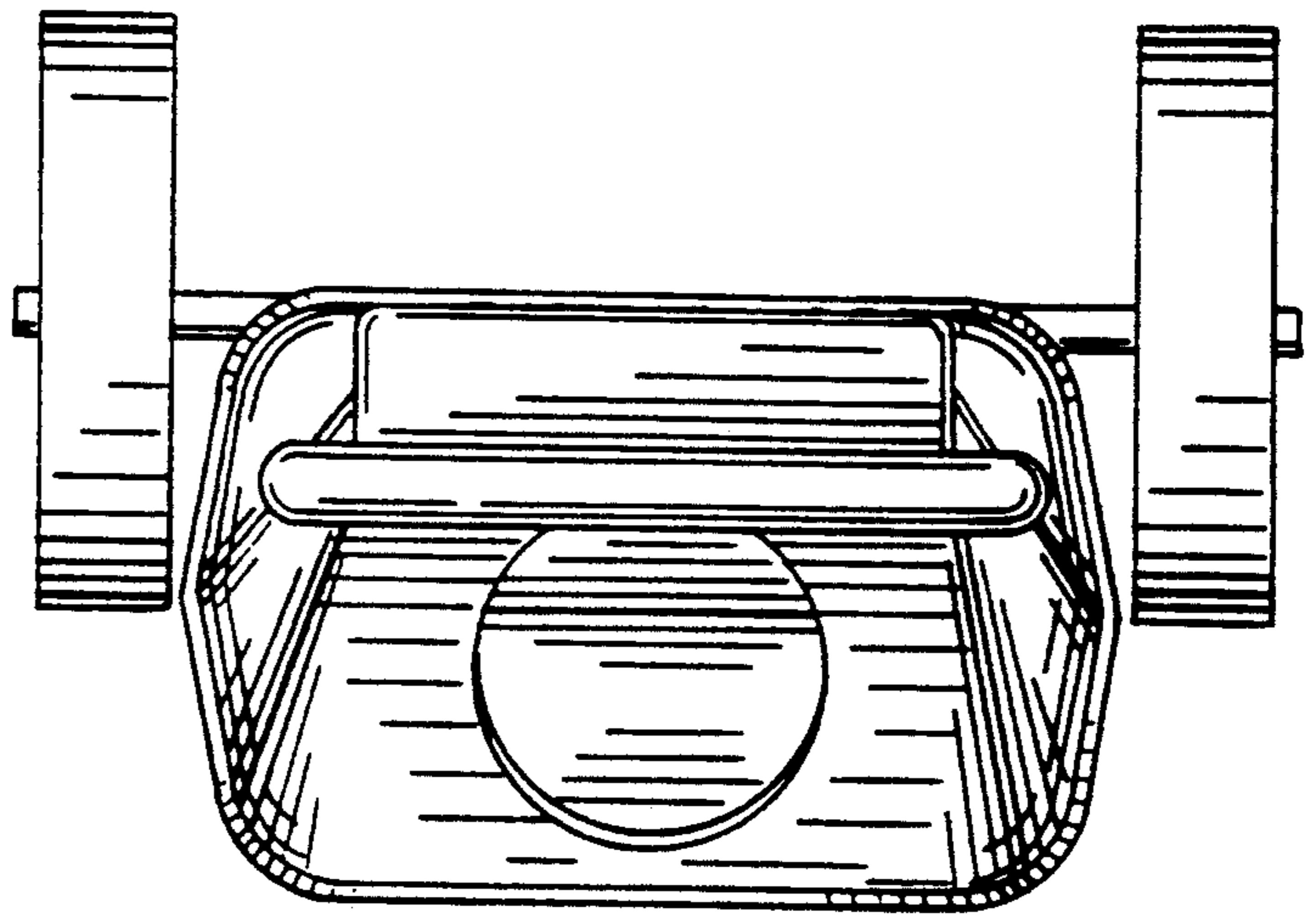


FIG. 5.

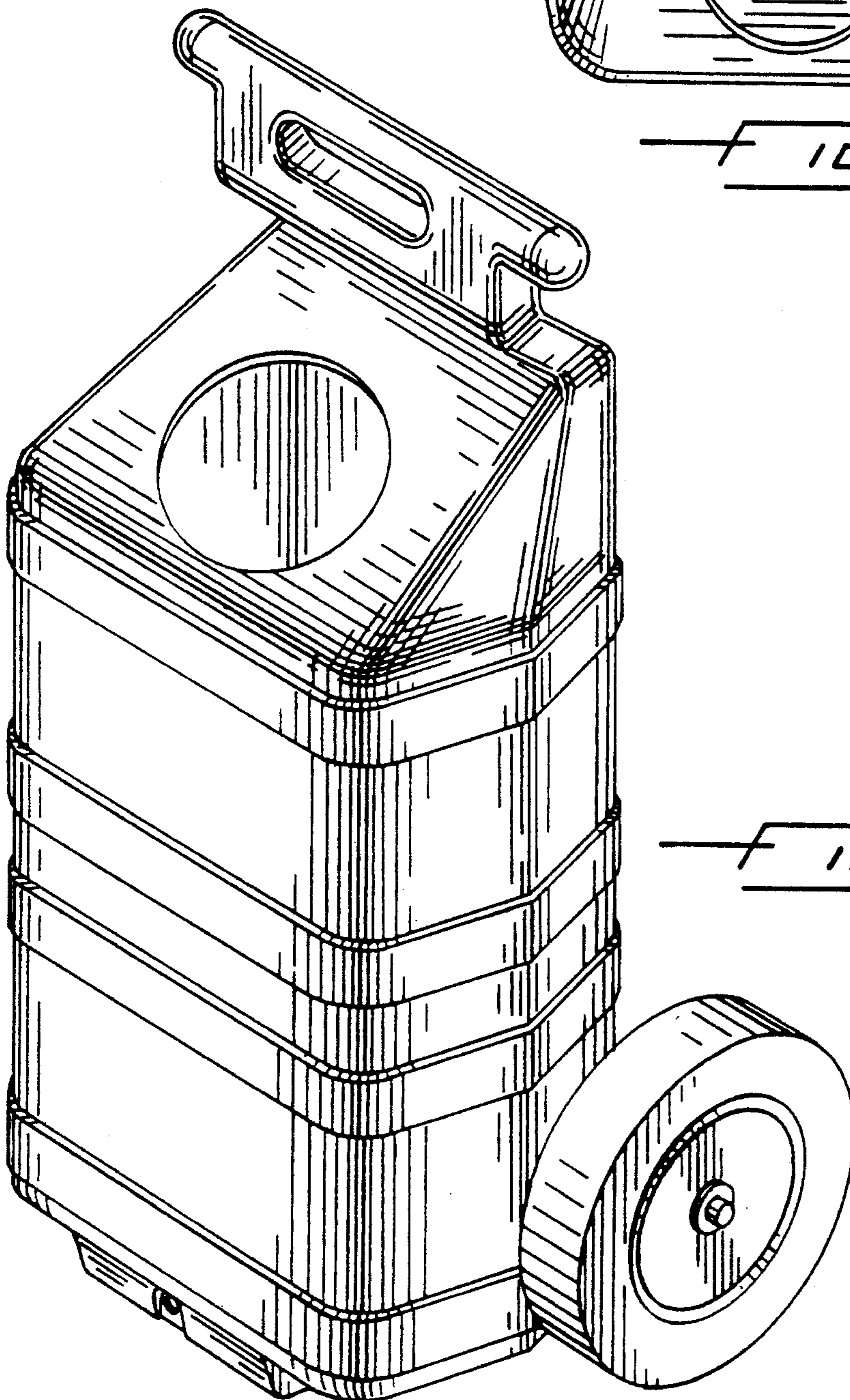


FIG. 1.

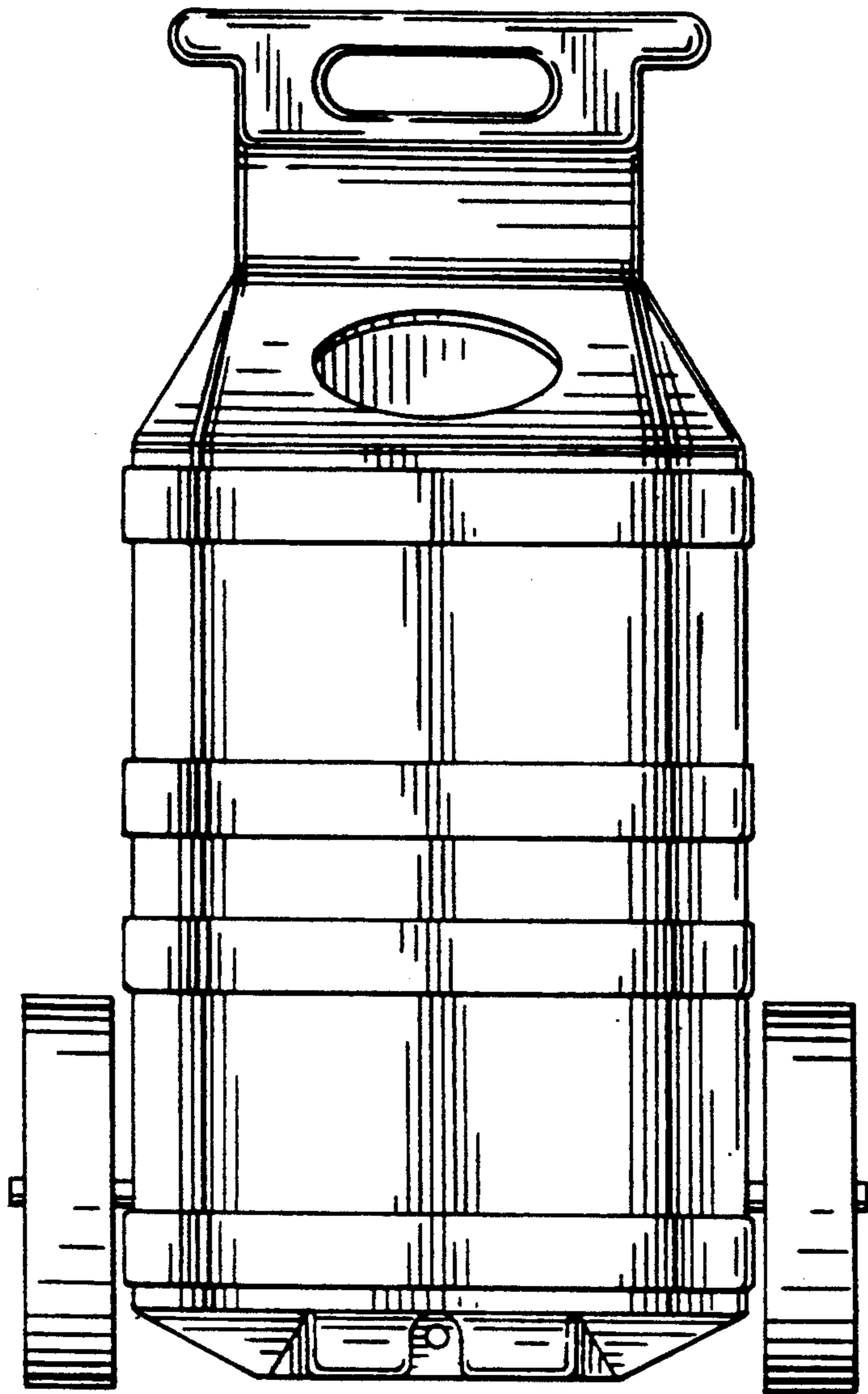


Fig. 2.

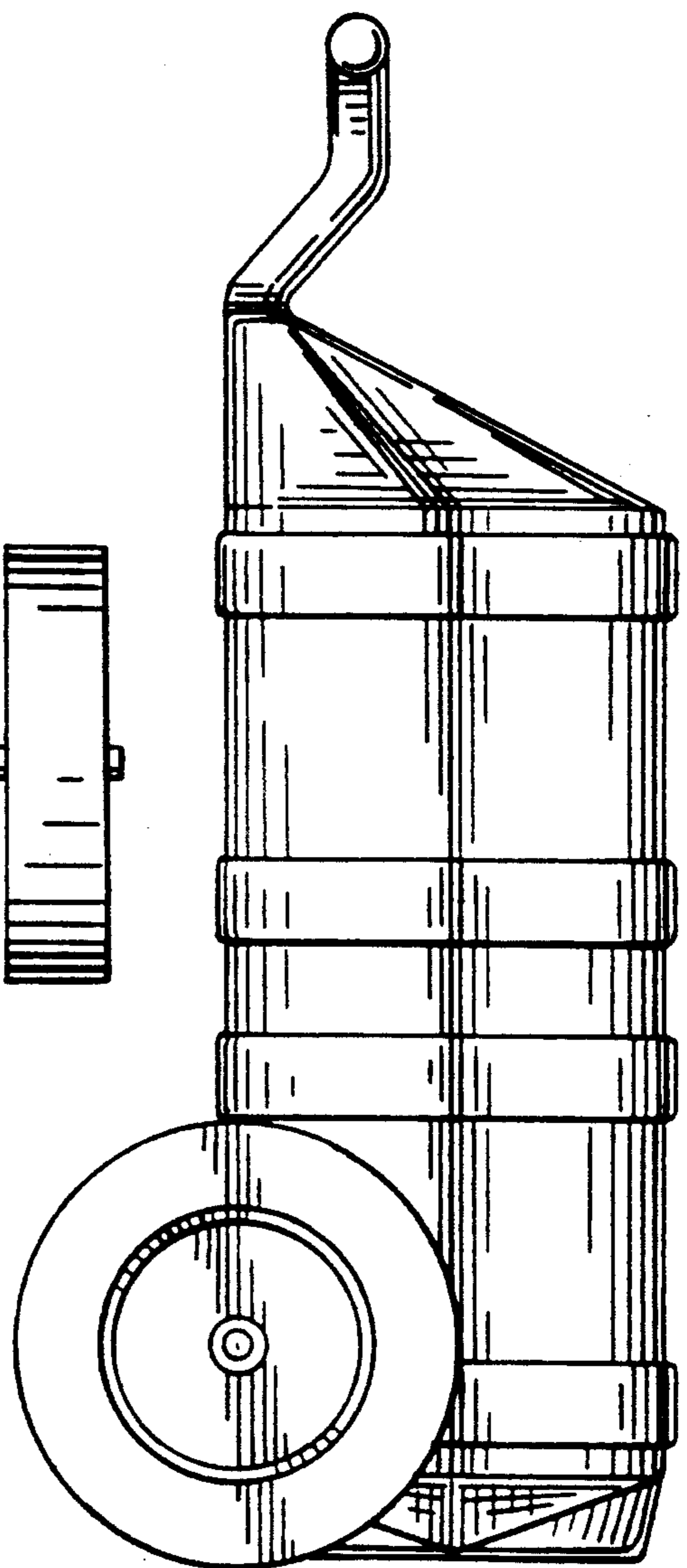


Fig. 3.

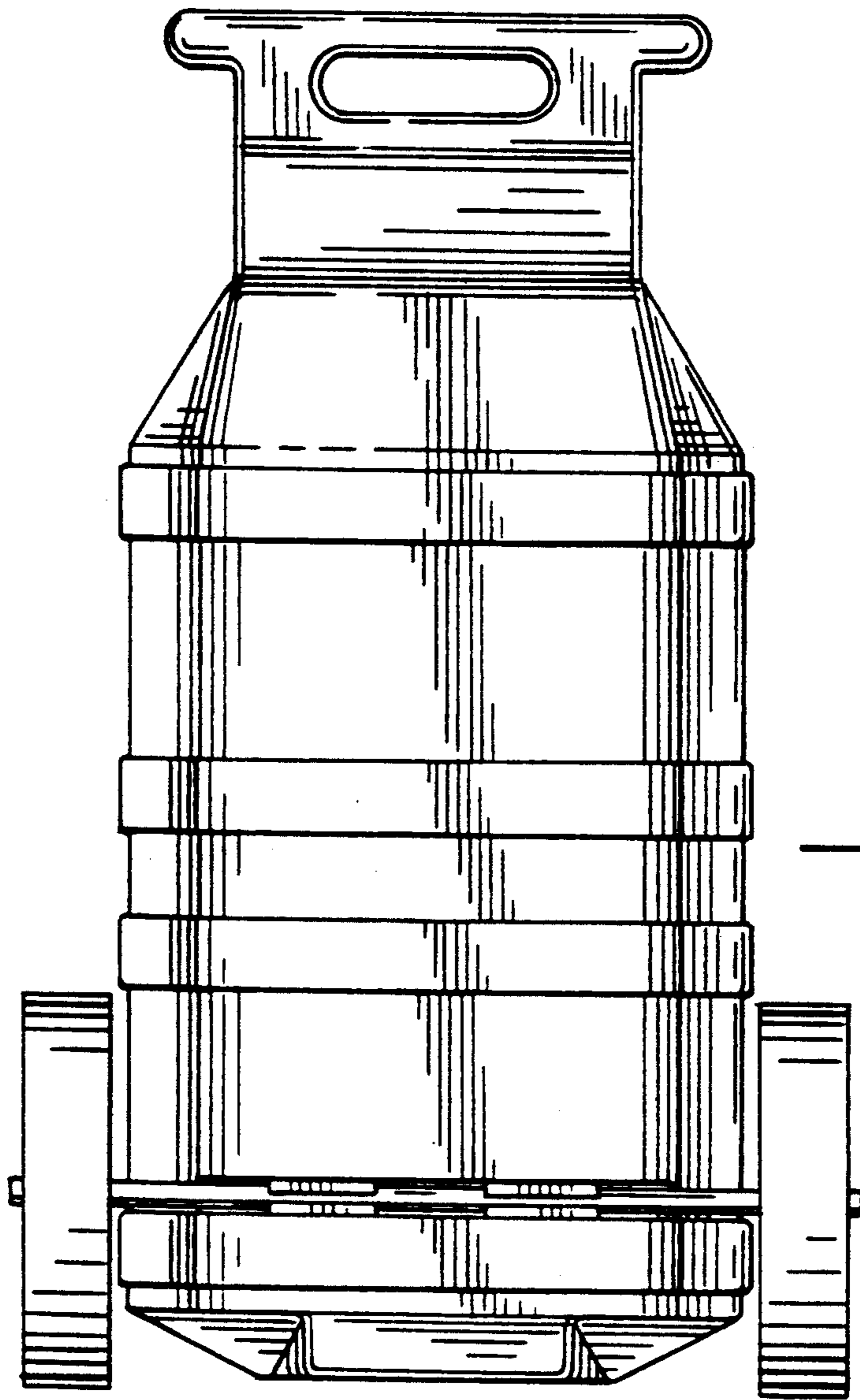


FIG. 4.

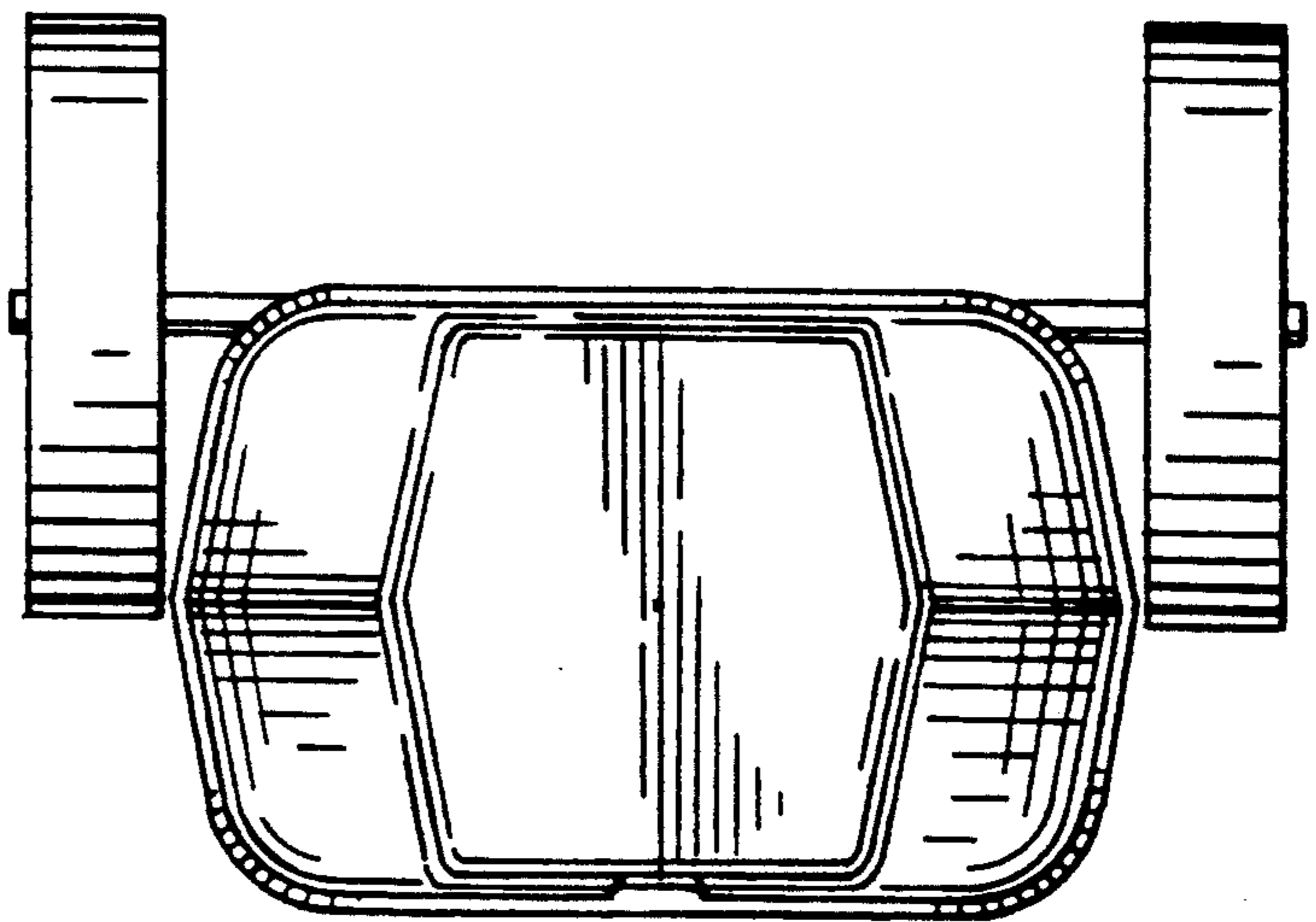


FIG. 6.