



US00D332448S

United States Patent [19]

[11] Patent Number: **Des. 332,448**

Garmon et al.

[45] Date of Patent: **** Jan. 12, 1993**

[54] **FRONT PANEL FOR OPTICAL DISK DRIVE**

[75] Inventors: **Vincent S. Garmon**, Boynton Beach;
Graham M. White, Boca Raton, both
of Fla.

[73] Assignee: **International Business Machines
Corp.**, Armonk, N.Y.

[**] Term: **14 Years**

[21] Appl. No.: **525,437**

[22] Filed: **May 18, 1990**

[52] U.S. Cl. **D14/115**

[58] Field of Search **D14/100, 101, 102, 106,
D14/107, 109, 115; 360/97.01, 98.12;
361/390-395; D13/199; D6/494**

[56] **References Cited**

U.S. PATENT DOCUMENTS

- D. 297,893 10/1988 Garmon D6/494
- D. 298,252 10/1988 Sapper D14/115
- D. 300,930 5/1989 Kerezman et al. D14/115

- D. 304,333 10/1989 Kerezman et al. D14/114
- D. 306,438 3/1990 Garmon et al. D14/115
- D. 314,195 1/1991 Cooke et al. D14/115
- D. 321,684 11/1991 Kline et al. D14/115

Primary Examiner—Wallace R. Burke

Assistant Examiner—Freda S. Nunn

[57] **CLAIM**

The ornamental design for a front panel for optical disk drive, as shown.

DESCRIPTION

FIG. 1 is a top front and right side perspective view of a front panel for optical disk drive showing our new design;

FIG. 2 is a front elevational view thereof;

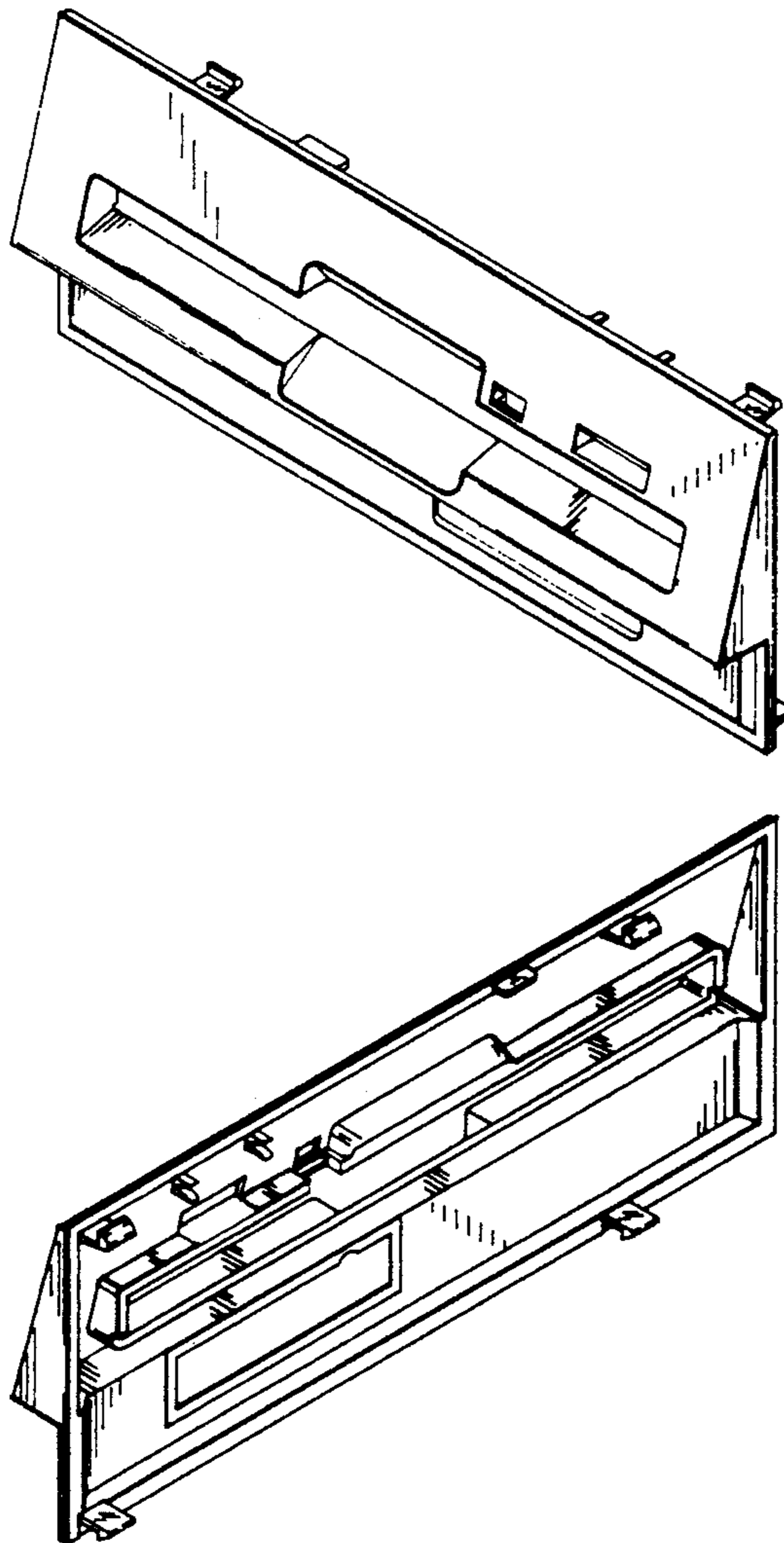
FIG. 3 is a top rear and left side elevational view thereof;

FIG. 4 is a right side elevational view thereof;

FIG. 5 is a left side elevational view thereof;

FIG. 6 is a top plan view thereof; and,

FIG. 7 is a bottom plan view thereof.



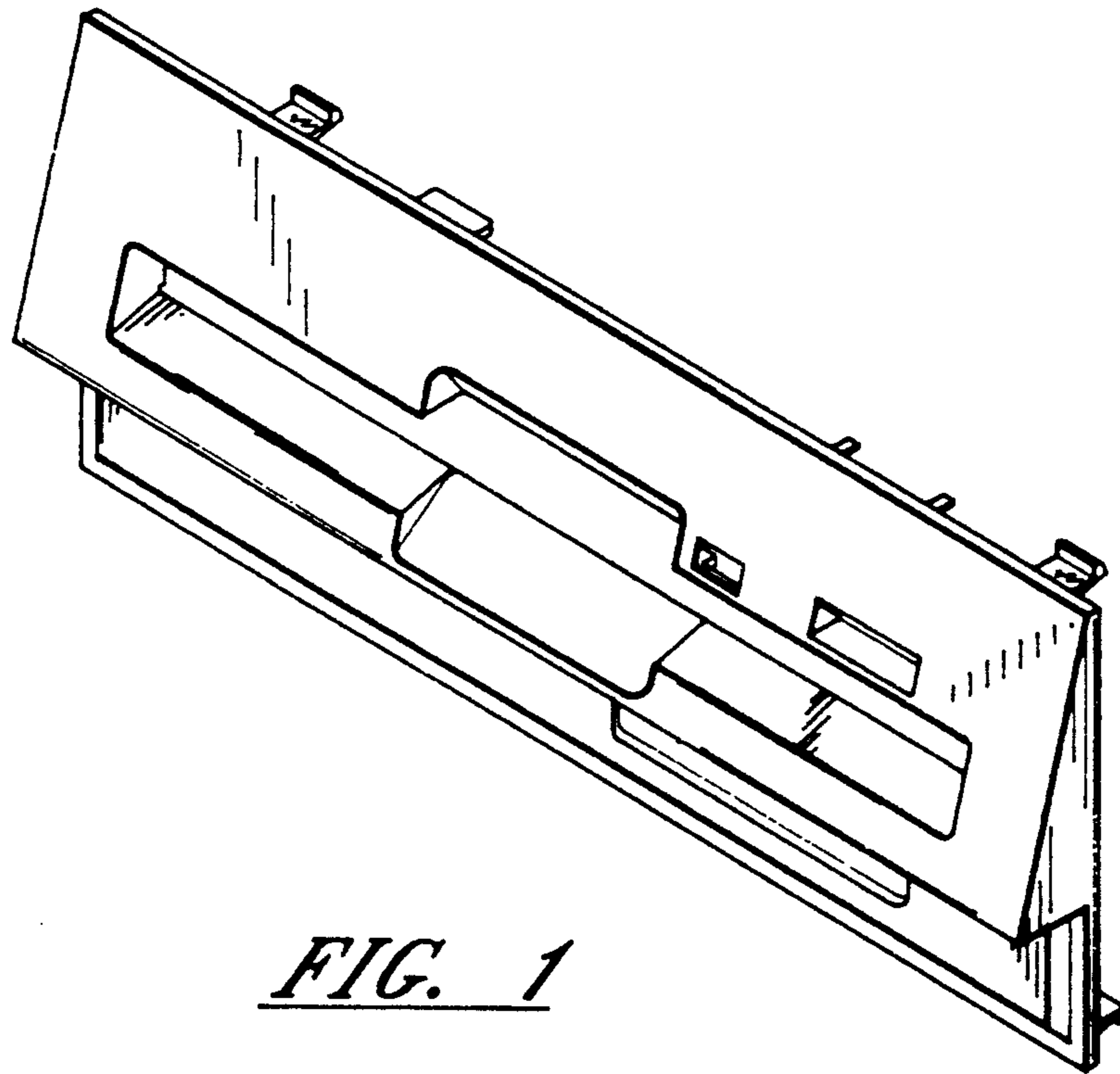


FIG. 1

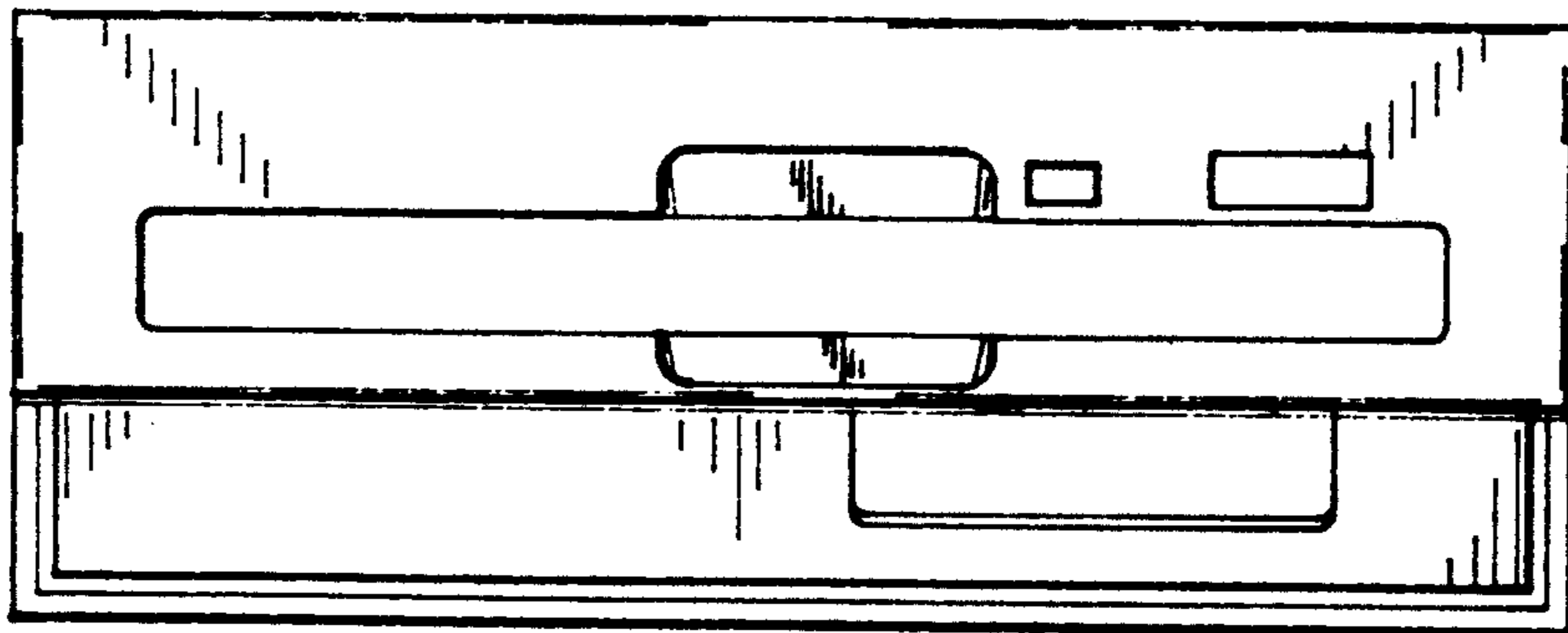


FIG. 2

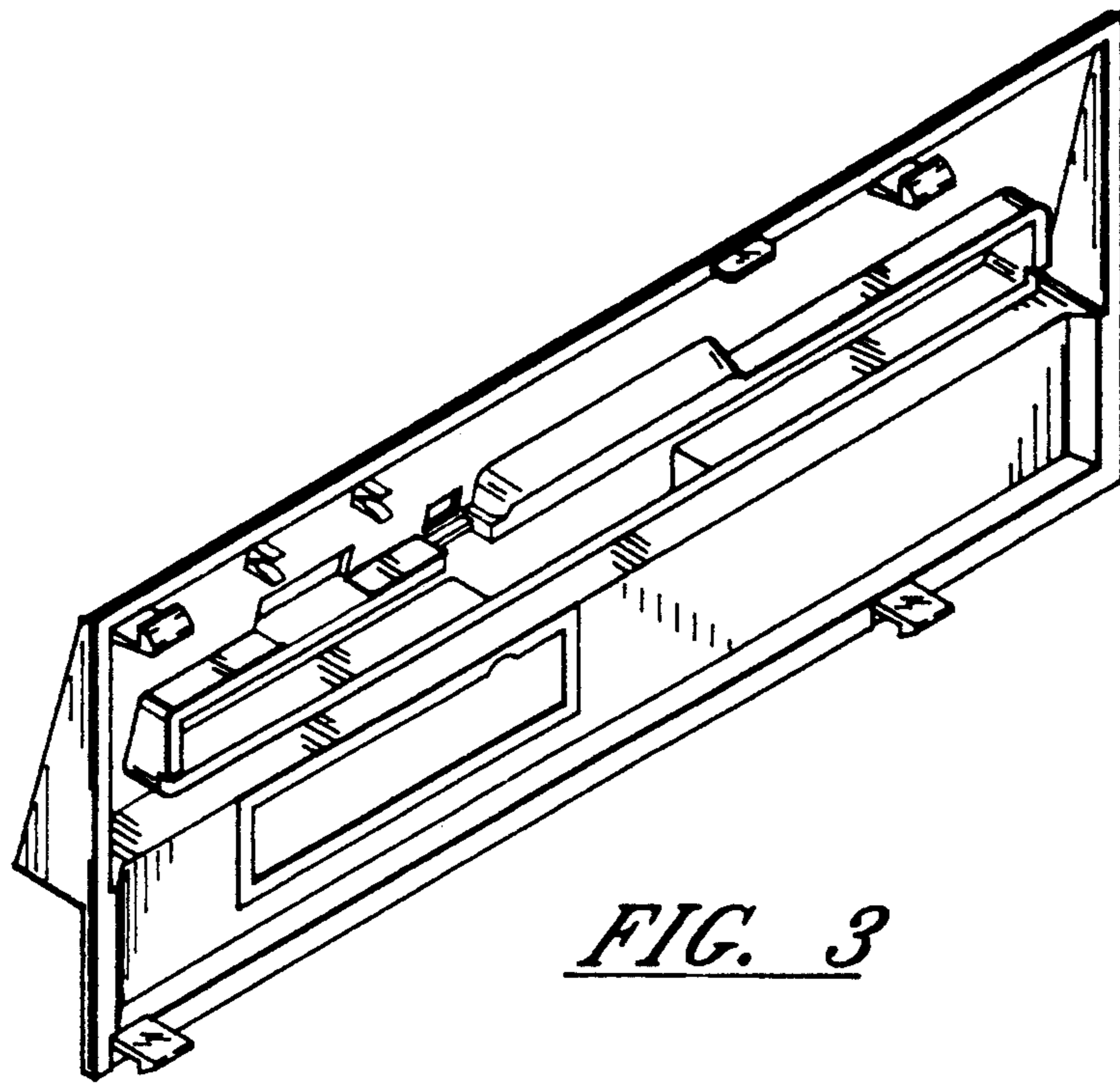


FIG. 3



FIG. 4



FIG. 5

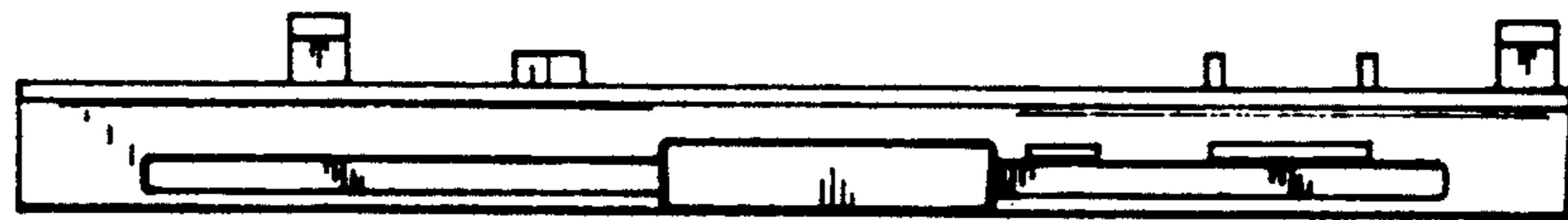


FIG. 6

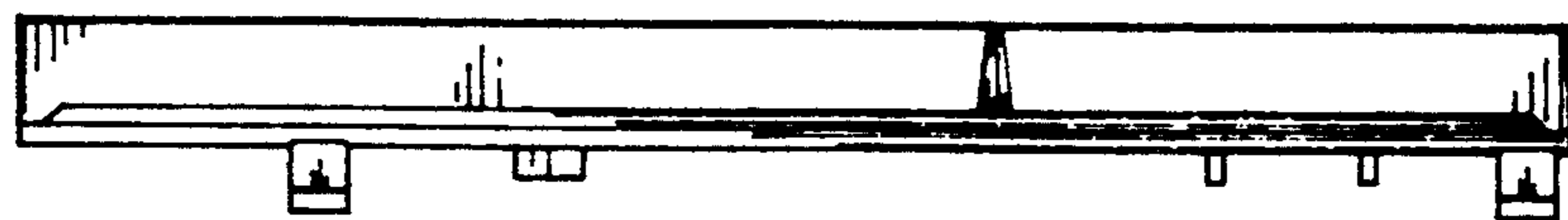


FIG. 7

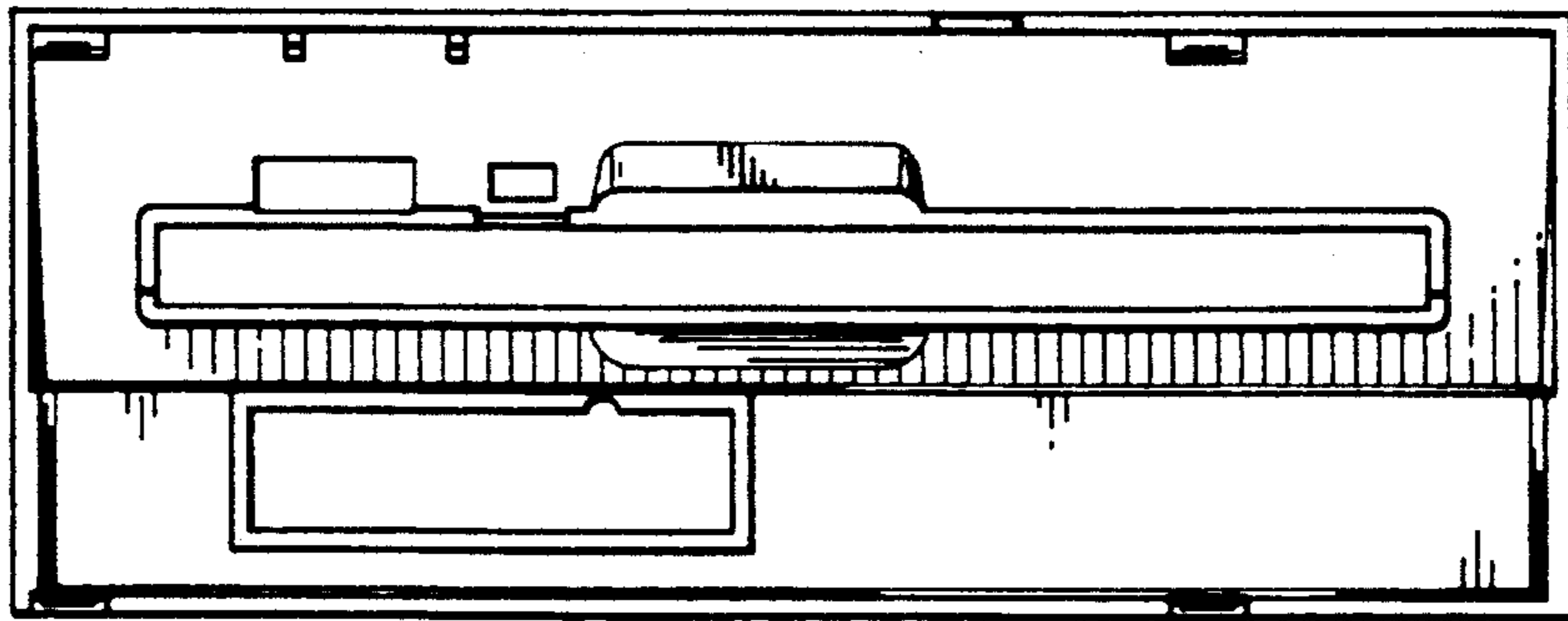


FIG. 8