



US00D332442S

United States Patent [19]

Simpson, Sr.

[11] Patent Number: **Des. 332,442**

[45] Date of Patent: **** Jan. 12, 1993**

- [54] **BATTERY STORAGE PANEL**
- [76] Inventor: **John A. Simpson, Sr.**, 2530 S. Marlan, Springfield, Mo. 65804
- [**] Term: **14 Years**
- [21] Appl. No.: **691,095**
- [22] Filed: **Apr. 25, 1991**
- [52] U.S. Cl. **D13/119; D6/468; D7/553; D24/229**
- [58] Field of Search **D13/119; D7/550, 553, D7/554; D24/227, 229, 230; D6/449, 396, 466-469, 475, 476, 571; D9/341, 347, 456; 211/60.1, 13, 74, 72; 429/241, 159; 224/902**

- D. 323,756 2/1992 Simpson D6/571
- 2,960,235 11/1960 Farber et al. .
- 3,666,113 5/1972 Burrell et al. .
- 4,026,416 5/1977 Cain .
- 4,754,883 7/1988 Grzywa 211/74 X

FOREIGN PATENT DOCUMENTS

- 683132 3/1964 Canada .

Primary Examiner—Alan P. Douglas
Assistant Examiner—Jeffrey Asch
Attorney, Agent, or Firm—Shook, Hardy & Bacon

[57] CLAIM

The ornamental design for a battery storage panel, as shown and described.

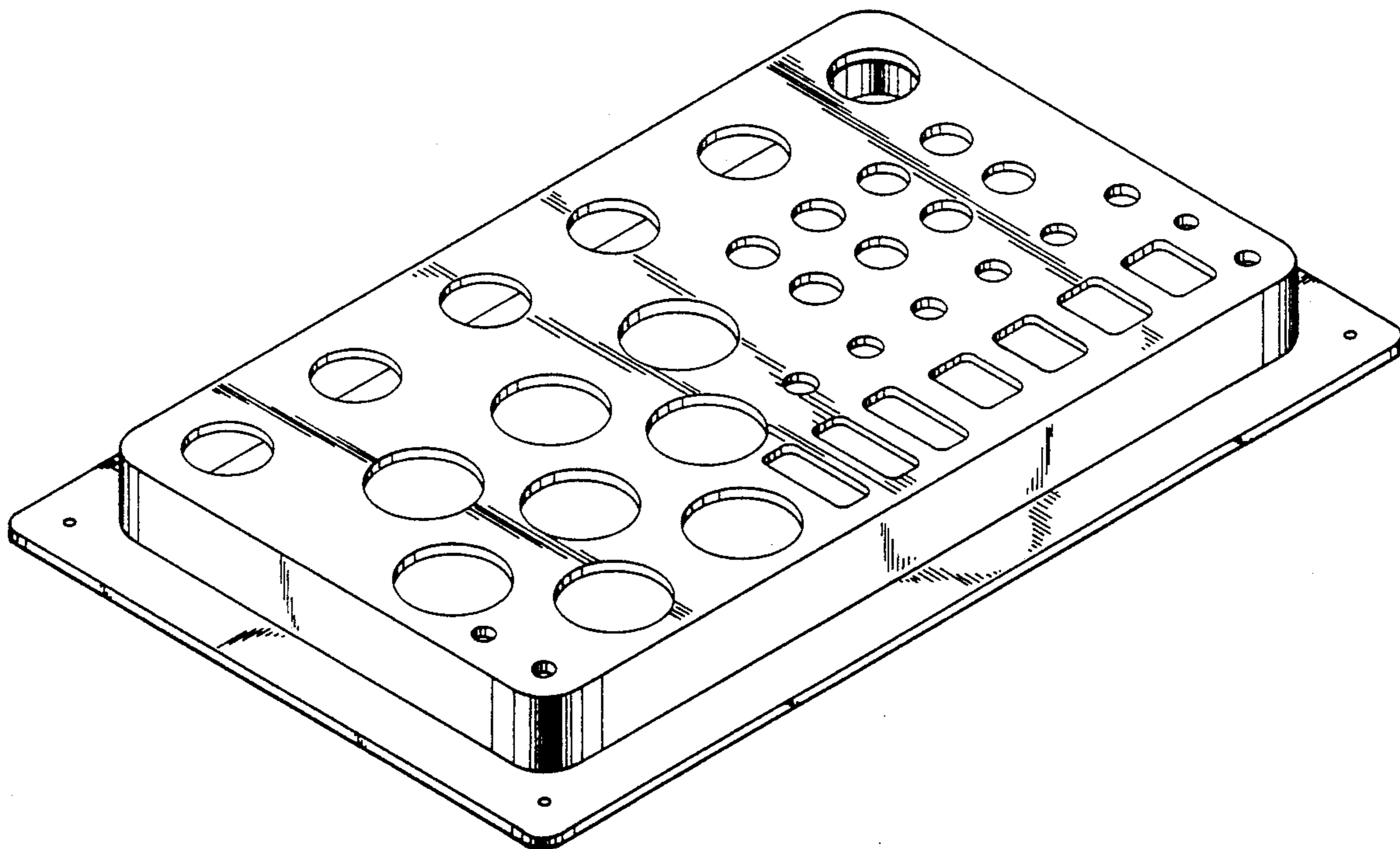
DESCRIPTION

FIG. 1 is a top plan view of a battery storage panel showing my new design;
FIG. 2 is a bottom plan view thereof;
FIG. 3 is a front elevational view, the rear being a mirror image thereof;
FIG. 4 is a right side elevational view, the left side being a mirror image thereof; and,
FIG. 5 is a perspective view thereof.

[56] References Cited

U.S. PATENT DOCUMENTS

- D. 101,139 9/1936 Radley D6/468 X
- D. 206,652 12/1966 Lebedeff D6/468
- D. 209,642 12/1967 Goldberg D6/476 X
- D. 251,644 4/1979 Raun D6/571
- D. 294,209 2/1988 Havelka D6/467
- D. 297,914 10/1988 Goodman D9/341
- D. 301,575 6/1989 Cranford, Jr. D24/229 X
- D. 323,245 1/1992 Hobson D6/467 X



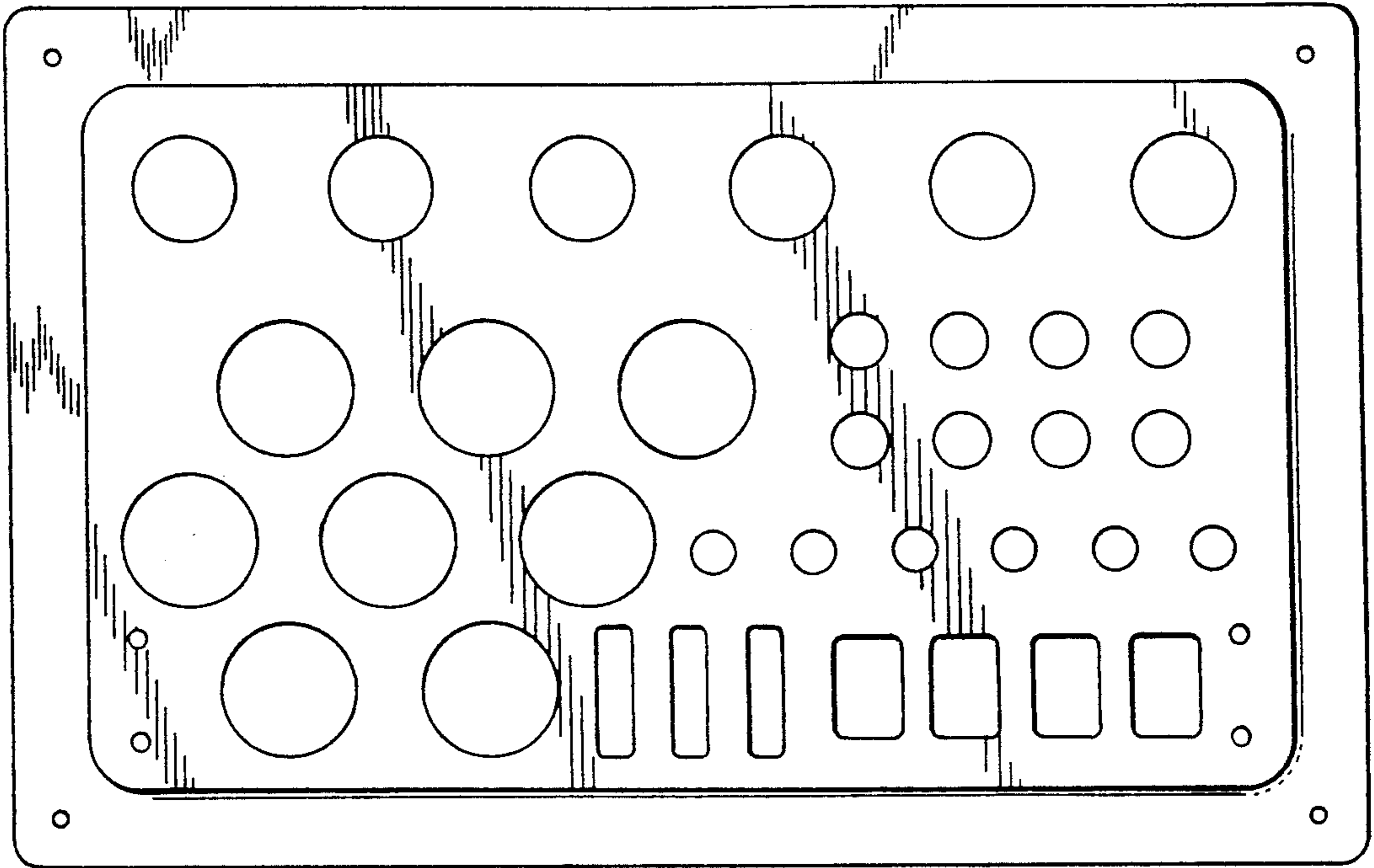


Fig. 1

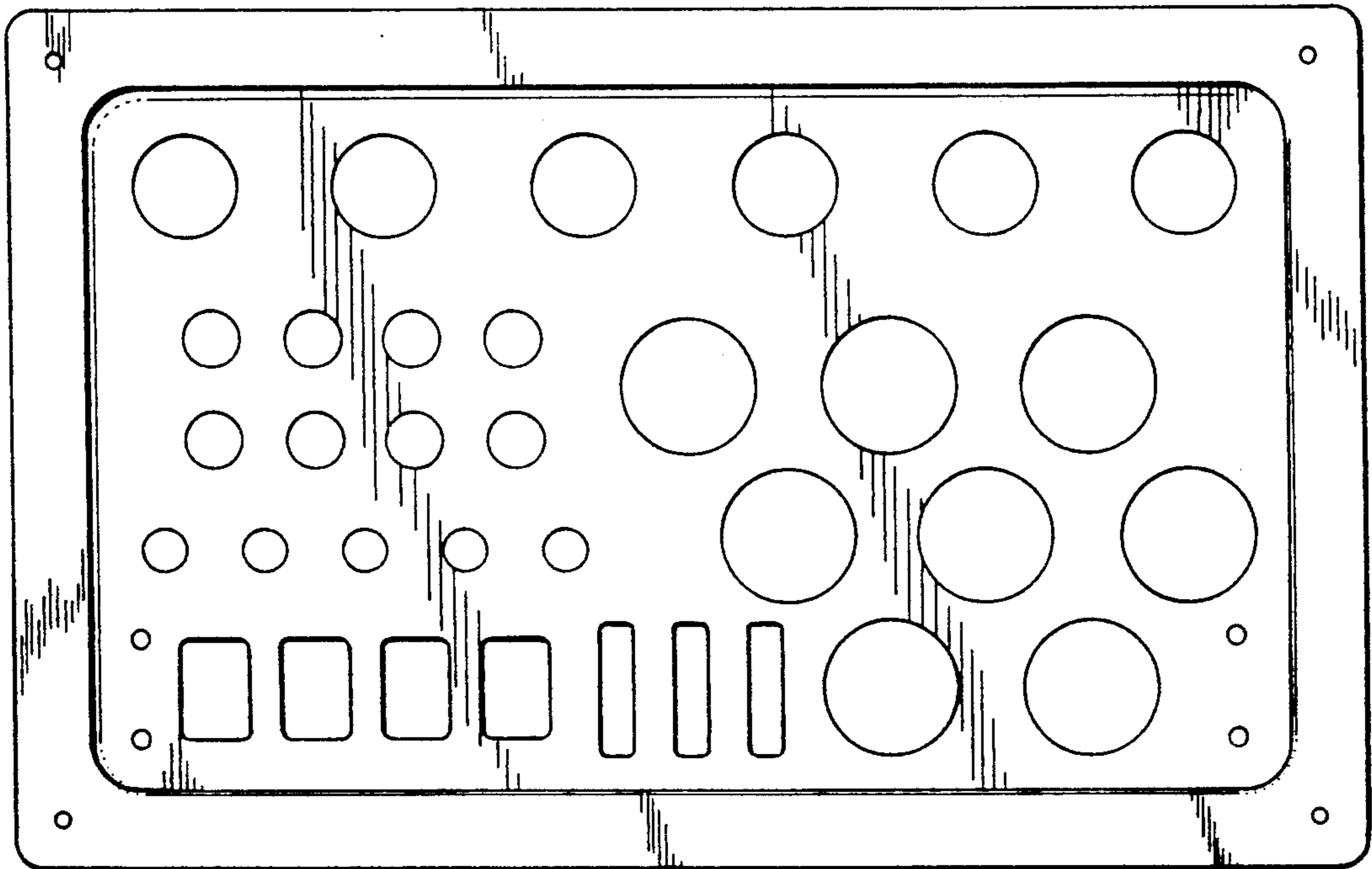


Fig. 2



Fig. 3

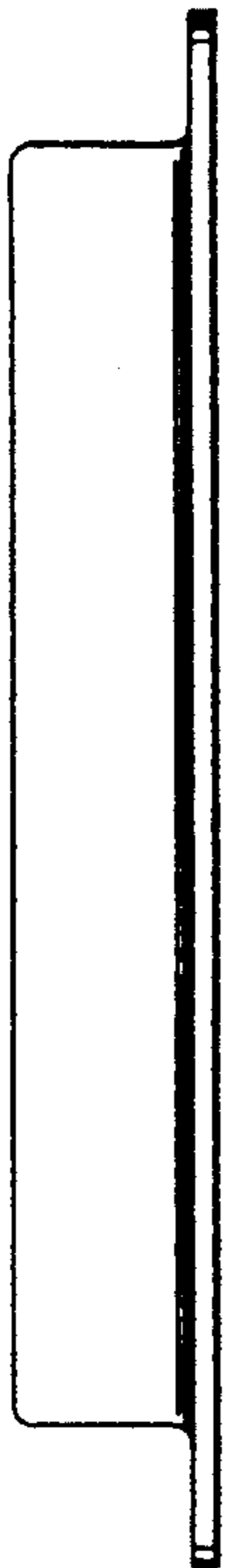


Fig. 4

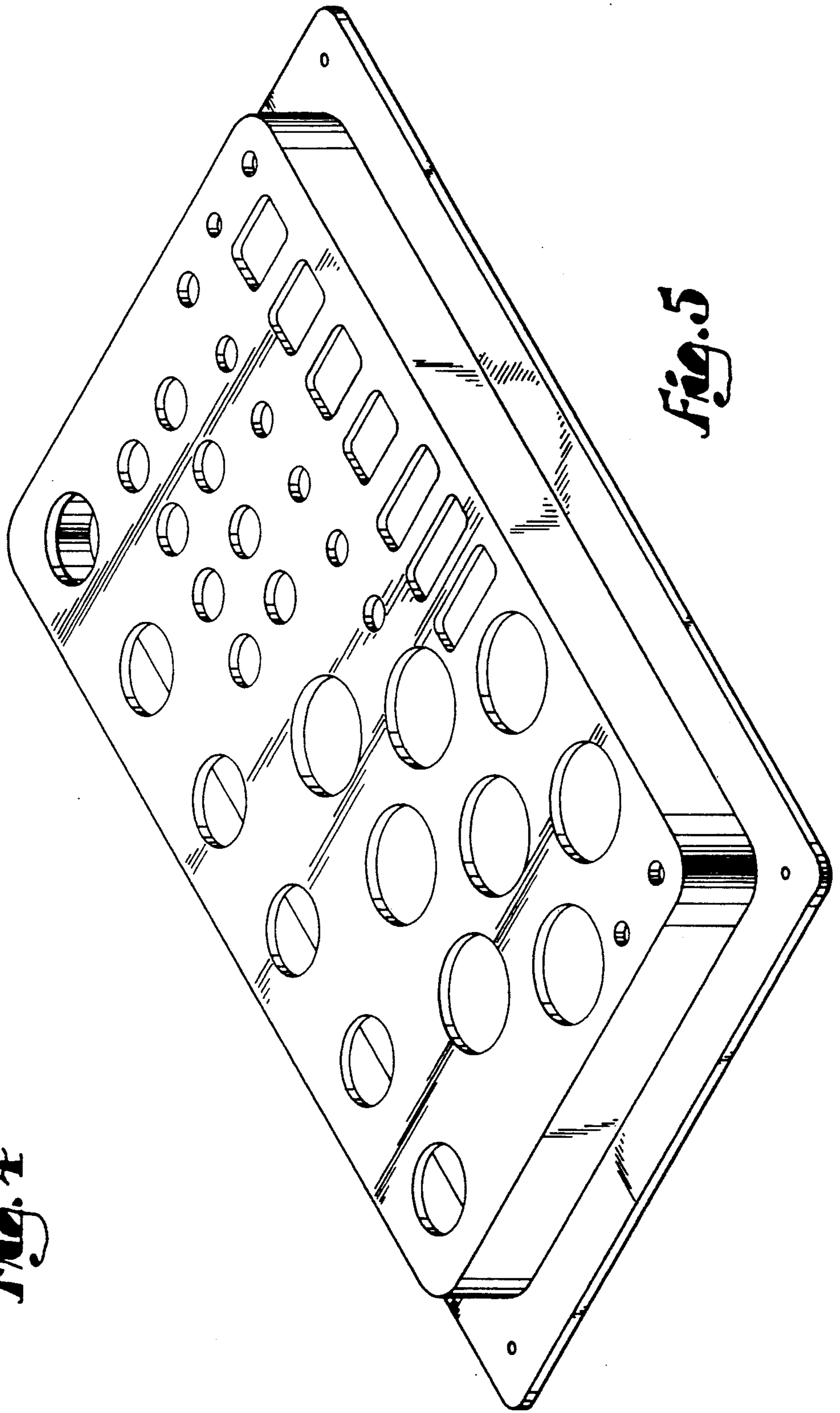


Fig. 5