



US00D332436S

United States Patent [19]

[11] Patent Number: **Des. 332,436**

Liao

[45] Date of Patent: **** Jan. 12, 1993**

[54] **BICYCLE SEAT POST**

[75] Inventor: **Jim Liao, Taipei, Hsien, Taiwan**

[73] Assignee: **Hsin hung Accessories Co., Ltd.,
China**

[**] Term: **14 Years**

[21] Appl. No.: **717,260**

[22] Filed: **Jun. 18, 1991**

[52] U.S. Cl. **D12/119**

[58] Field of Search **D12/119; 297/209, 210,
297/211; 403/82, 84, 87, 390, 391**

[56] **References Cited**

U.S. PATENT DOCUMENTS

D. 288,420	2/1987	Juy	D12/119
4,275,922	6/1981	Juy	297/195
4,311,407	1/1982	Doyle	403/390
4,693,627	9/1987	Borromeo	403/390
4,987,764	1/1991	Chen	297/195
4,995,753	2/1991	Shook	297/195

OTHER PUBLICATIONS

American Bicyclist & Motorcyclist, Sep./Oct. 1990, p. 83, the Kalloy SP-8000C light weight seat post.

Performance Bicycle Shop, Fall 1987, p. 67, the Campagnolo seat post A & B.

Primary Examiner—Wallace R. Burke

Assistant Examiner—Melody Brown

Attorney, Agent, or Firm—Andrus, Scales, Starke & Sawall

[57] **CLAIM**

The ornamental design for a bicycle seat post, as shown and described.

DESCRIPTION

FIG. 1 is a perspective view of a bicycle seat post showing my new design; it being understood that the broken lines are for illustrative purposes only and form no part of the claimed design;

FIG. 2 is a front elevational view thereof;

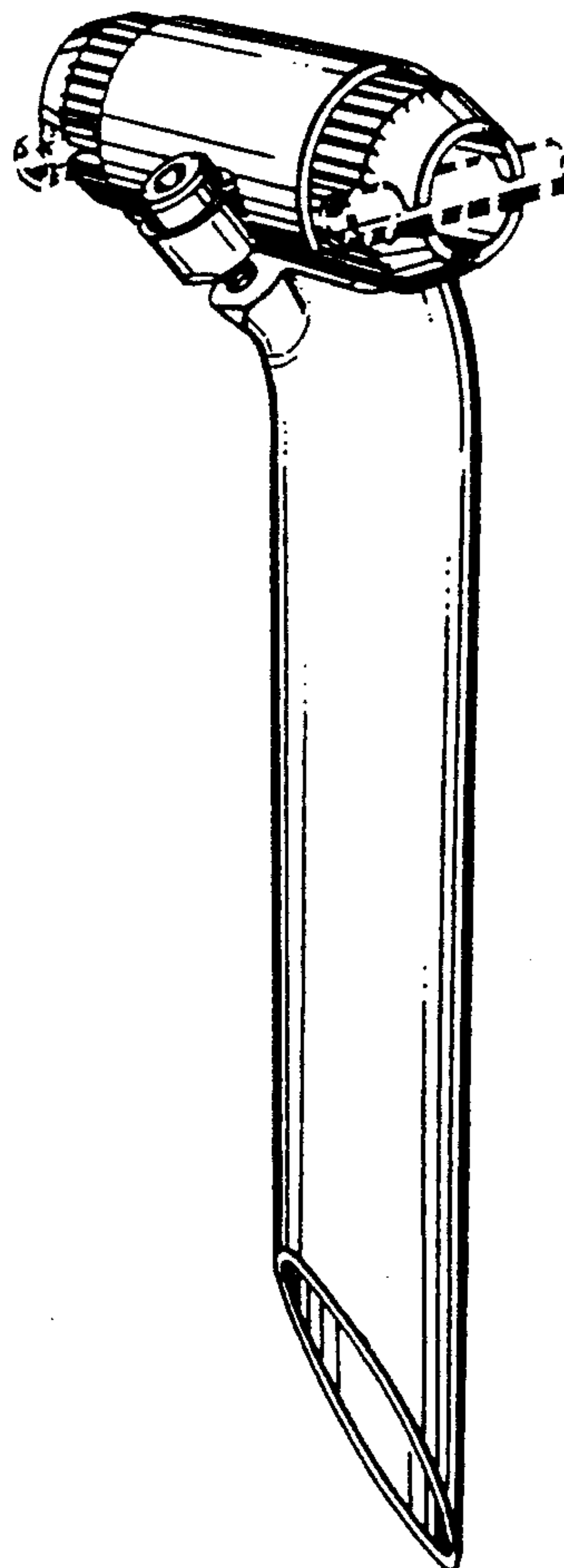
FIG. 3 is a rear elevational view thereof;

FIG. 4 is a left side elevational view thereof;

FIG. 5 is a right side elevational view thereof;

FIG. 6 is a top plan view thereof; and,

FIG. 7 is a bottom plan view thereof.



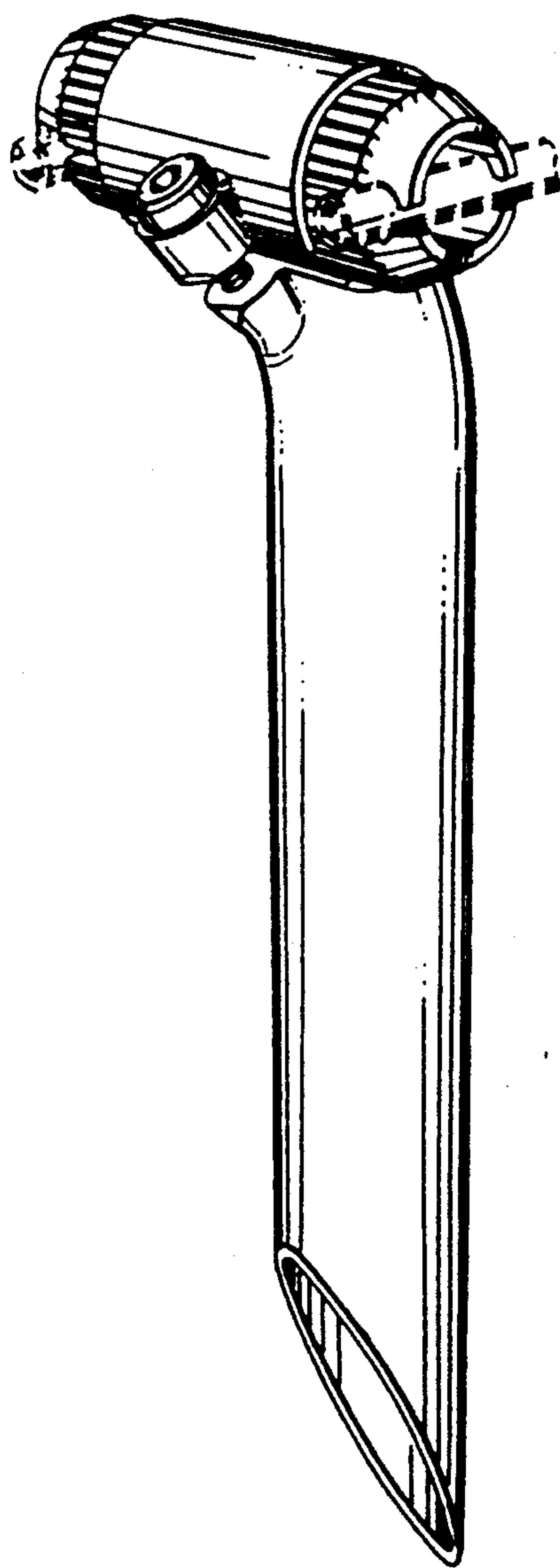


FIG. 1

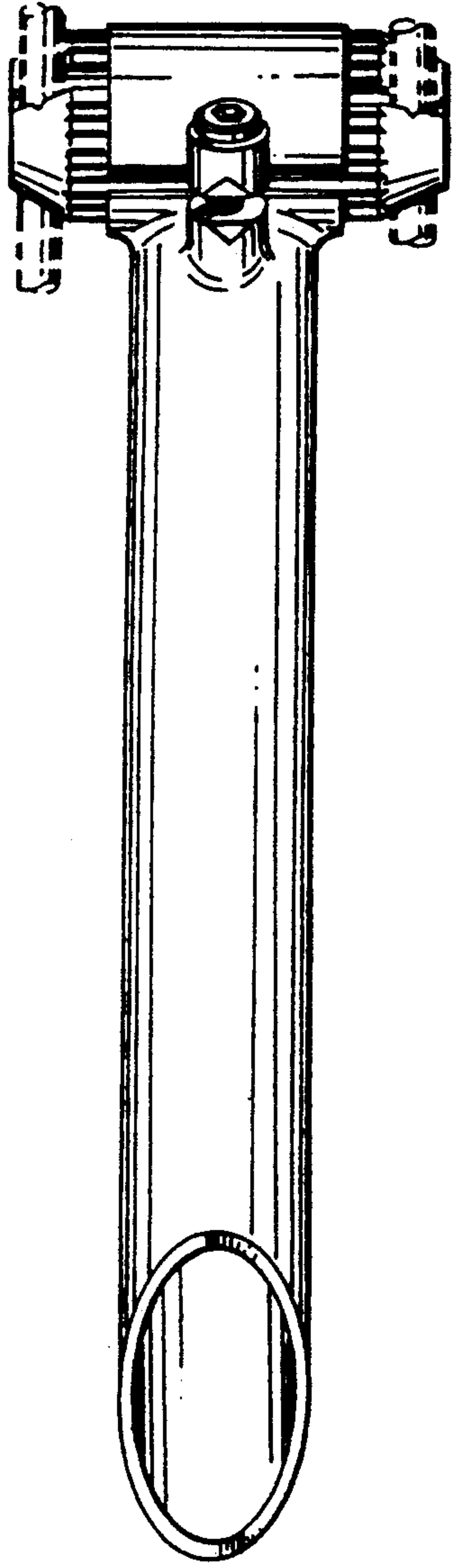


FIG. 2

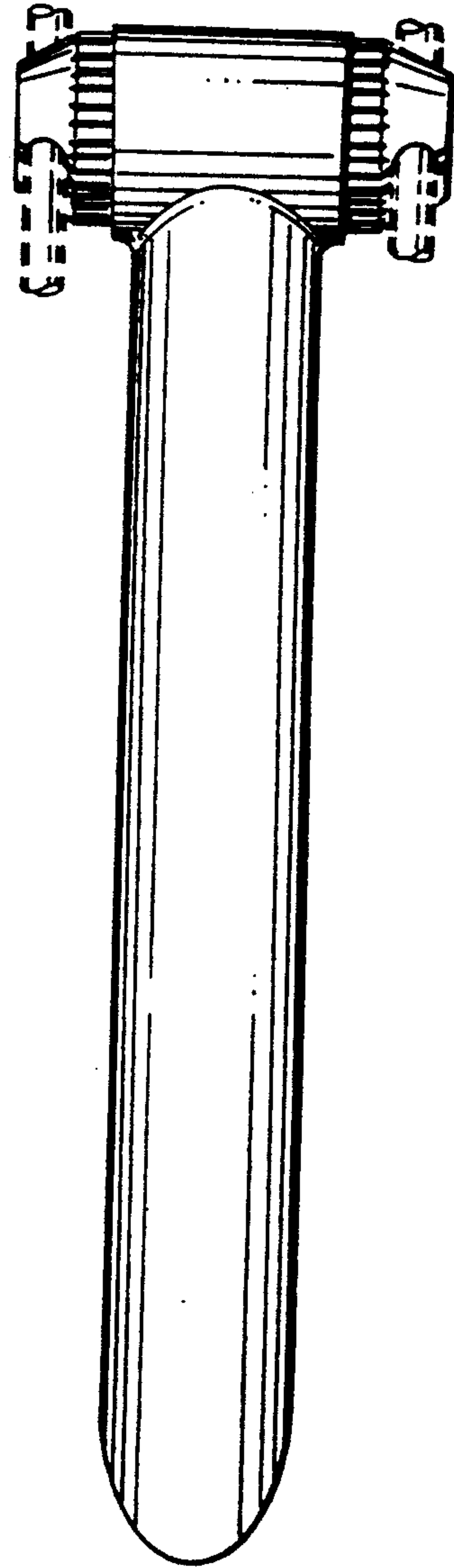


FIG. 3

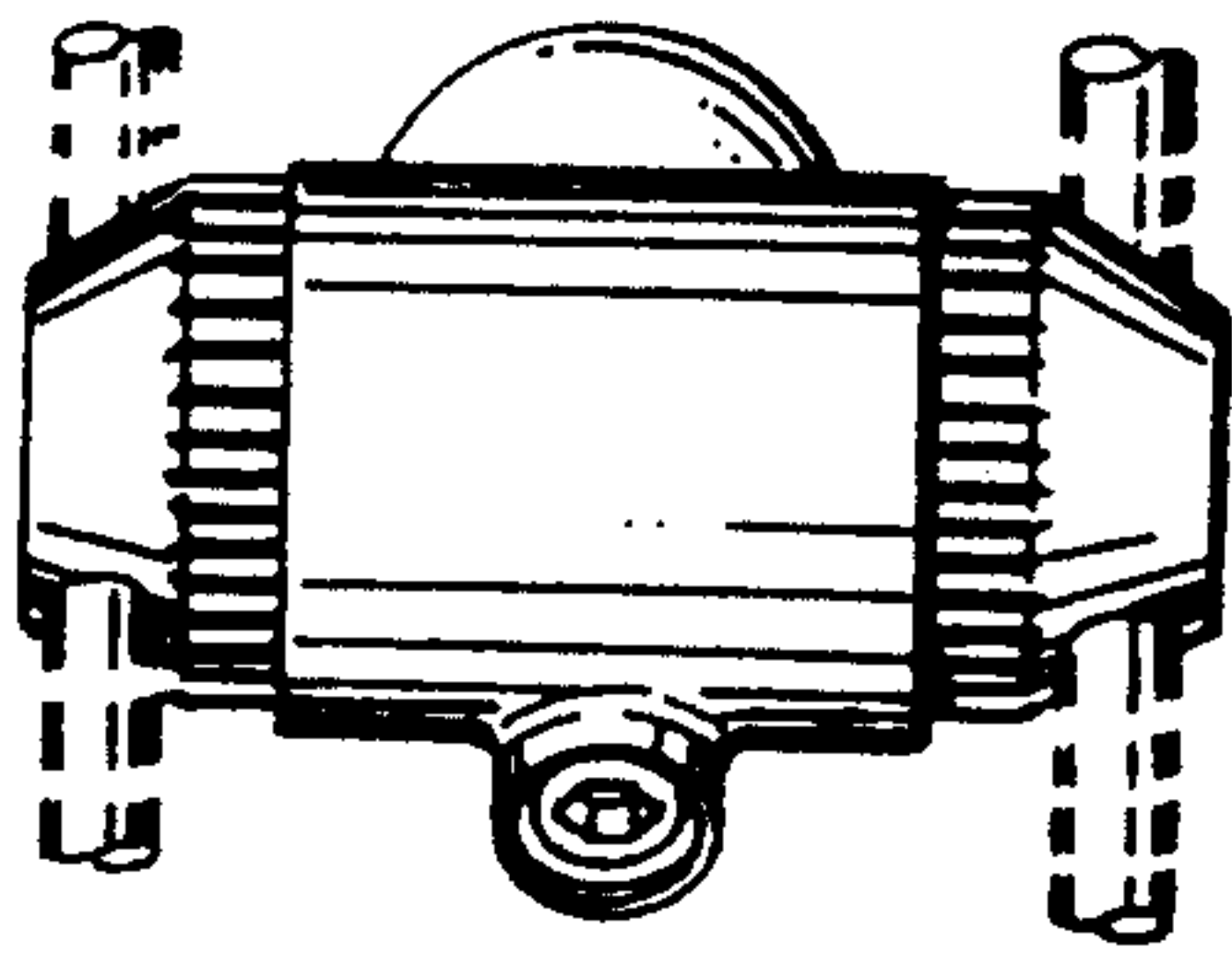


FIG. 6

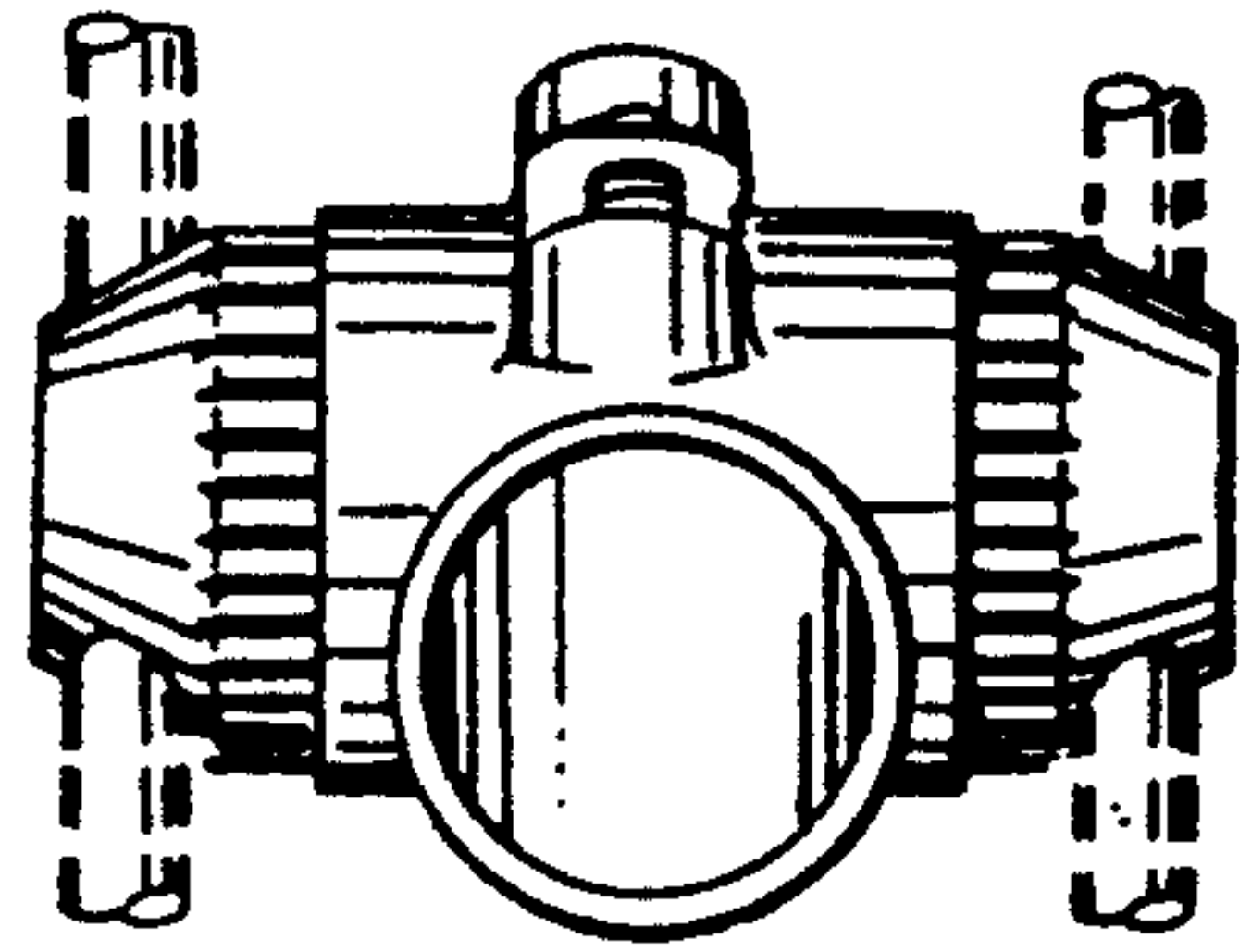


FIG. 7

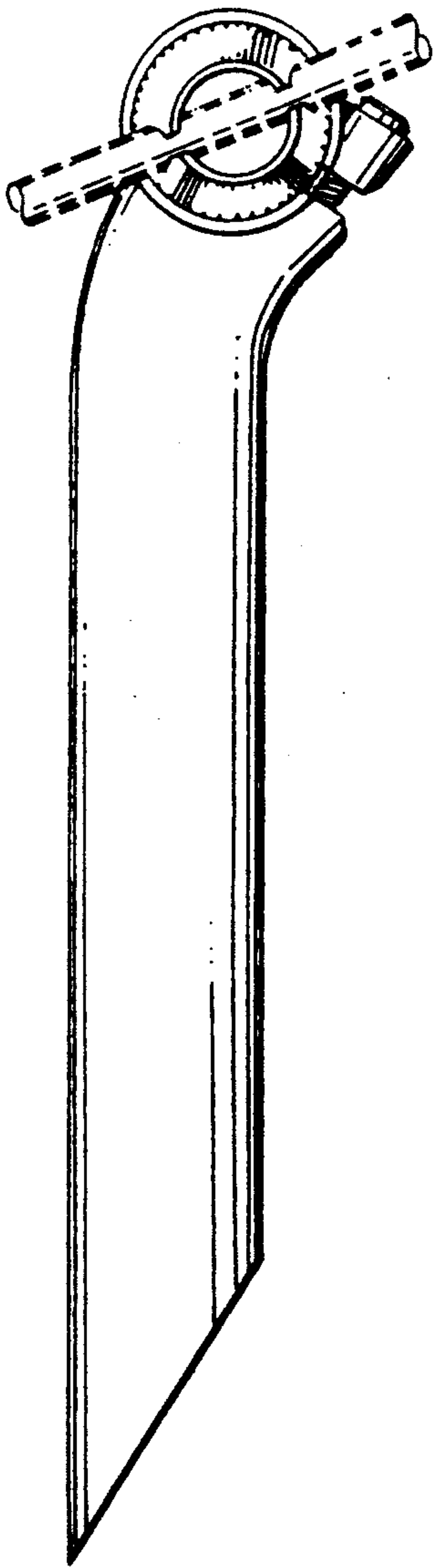


FIG. 4

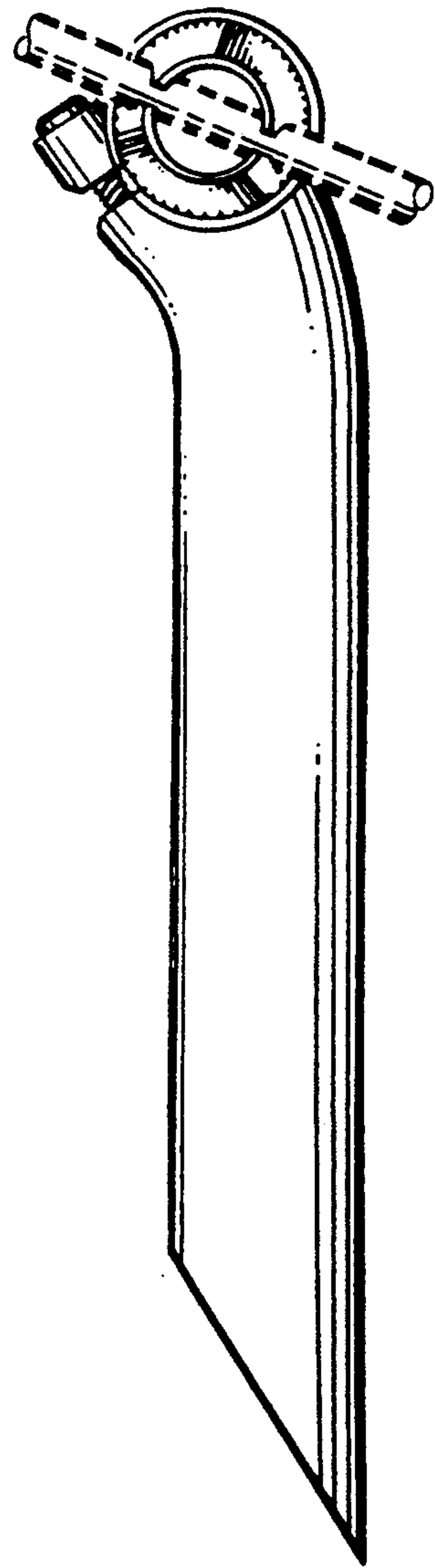


FIG. 5

UNITED STATES PATENT AND TRADEMARK OFFICE
CERTIFICATE OF CORRECTION

PATENT NO. : Des .332,436
DATED : January 12, 1993
INVENTOR(S) : Liao

It is certified that error appears in the above-identified patent and that said Letters Patent is hereby corrected as shown below:

ON THE TITLE PAGE:

IN THE [73] ASSIGNEE:

Delete "Hsin hung Accessories Co., Ltd., China" and substitute therefor ---Hsin Lung Accessories Co., Ltd., China---

Signed and Sealed this
Fourth Day of January, 1994

Attest:



BRUCE LEHMAN

Attesting Officer

Commissioner of Patents and Trademarks