



US00D332411S

# United States Patent [19]

[11] Patent Number: **Des. 332,411**

Masters et al.

[45] Date of Patent: **\*\* Jan. 12, 1993**

[54] LEVEL TOOL

5,020,232 6/1991 Whiteford ..... 33/379 X

[76] Inventors: **James C. Masters**, 795 Highview Ave., Glen Ellyn, Ill. 60137; **Thomas K. Stevens**, 14 Valley Dr., Orinda, Calif. 94563

### FOREIGN PATENT DOCUMENTS

454471 3/1928 Fed. Rep. of Germany ..... 33/370

[\*\*] Term: **14 Years**

*Primary Examiner*—Alan P. Douglas  
*Assistant Examiner*—Antoine D. Davis  
*Attorney, Agent, or Firm*—Harris Zimmerman

[21] Appl. No.: **583,680**

### [57] CLAIM

[22] Filed: **Sep. 17, 1990**

The ornamental design for a level tool, as shown and described.

[52] U.S. Cl. .... **D10/69**

[58] Field of Search ..... D10/60, 62, 69; 33/347, 33/365-390

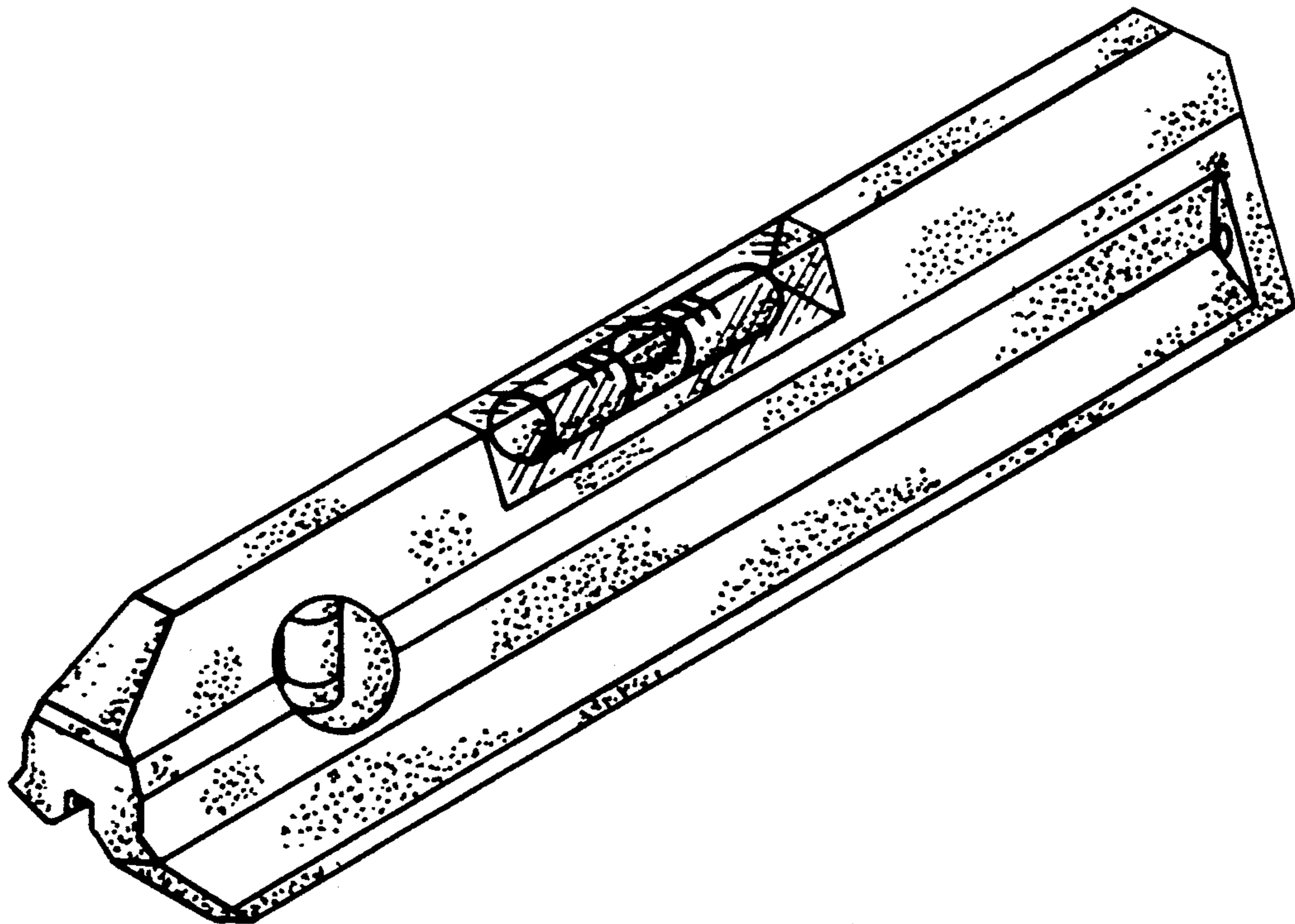
### DESCRIPTION

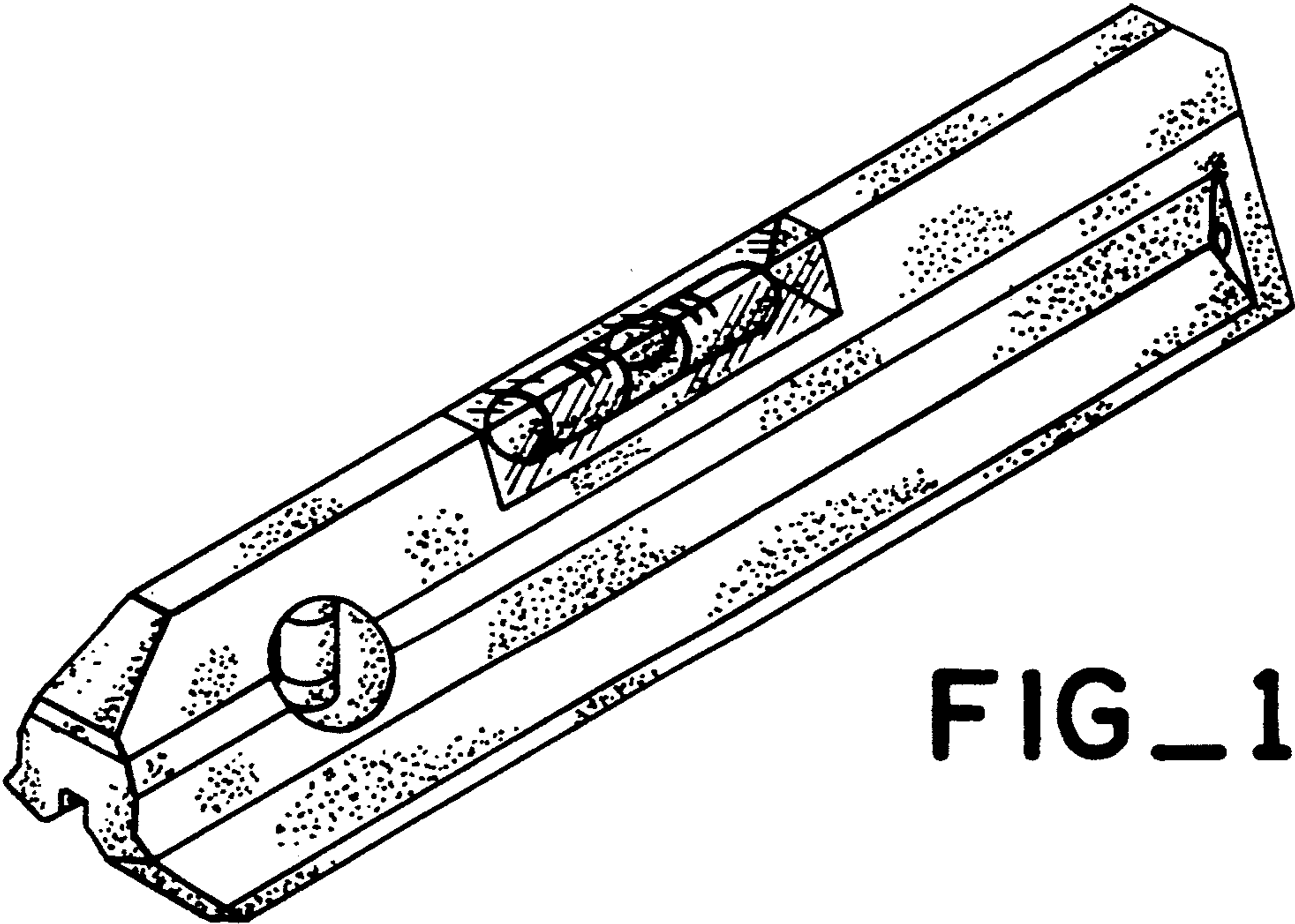
### [56] References Cited

#### U.S. PATENT DOCUMENTS

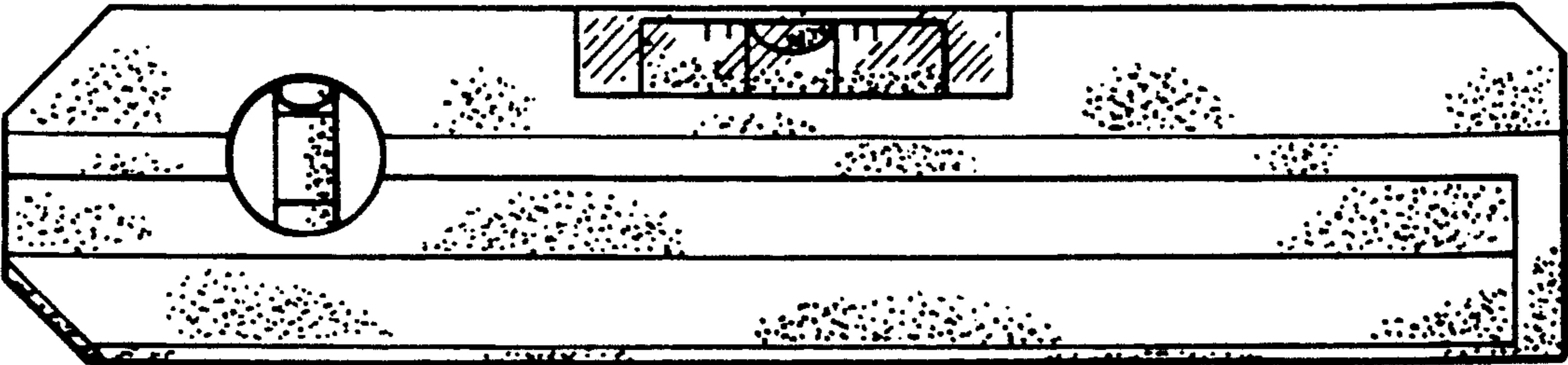
D. 238,153	12/1975	Johnson et al. ....	D10/69
D. 268,909	5/1983	Doan .....	D10/69
D. 287,474	12/1986	Odegard .....	D10/69
D. 308,644	6/1990	Bulter et al. ....	D10/69
582,517	5/1897	Bellows .....	D10/69 X
1,500,710	7/1924	Kelly .....	33/379 X
2,386,833	10/1945	Baldwin .....	33/369
3,832,782	9/1974	Johnson et al. ....	33/390 X

FIG. 1 is a top, front and right side perspective view of a level tool showing our new design;  
FIG. 2 is a right side elevational view, the left side elevational view being a mirror image;  
FIG. 3 is a top plan view;  
FIG. 4 is a front elevational view;  
FIG. 5 is a rear elevational view;  
FIG. 6 is a bottom plan view; and,  
FIG. 7 is a top, front and right side elevational view of a second embodiment of our new design of FIGS. 1-6 thereof.

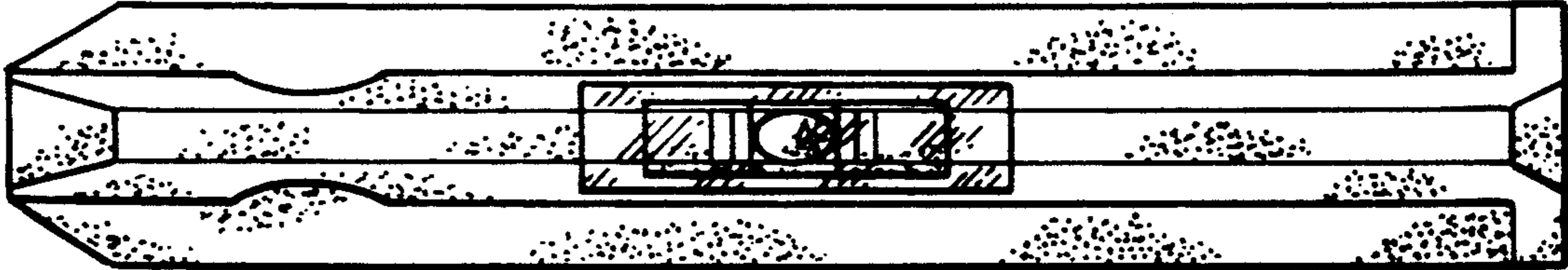




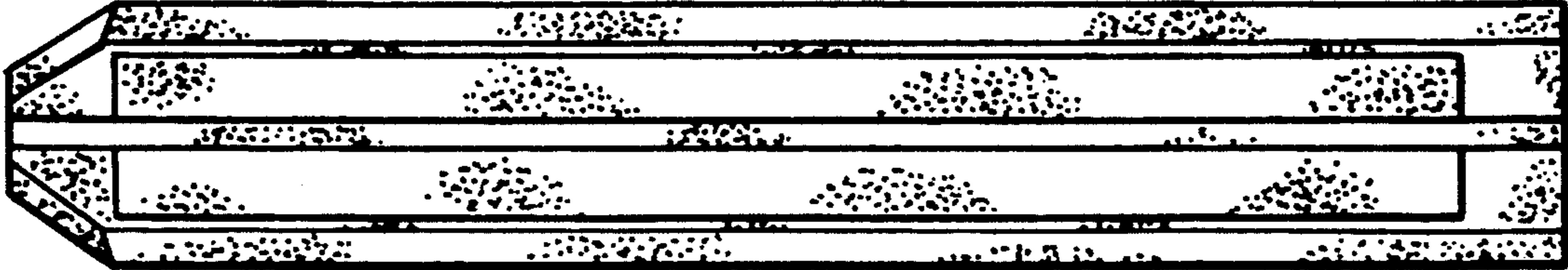
FIG\_1



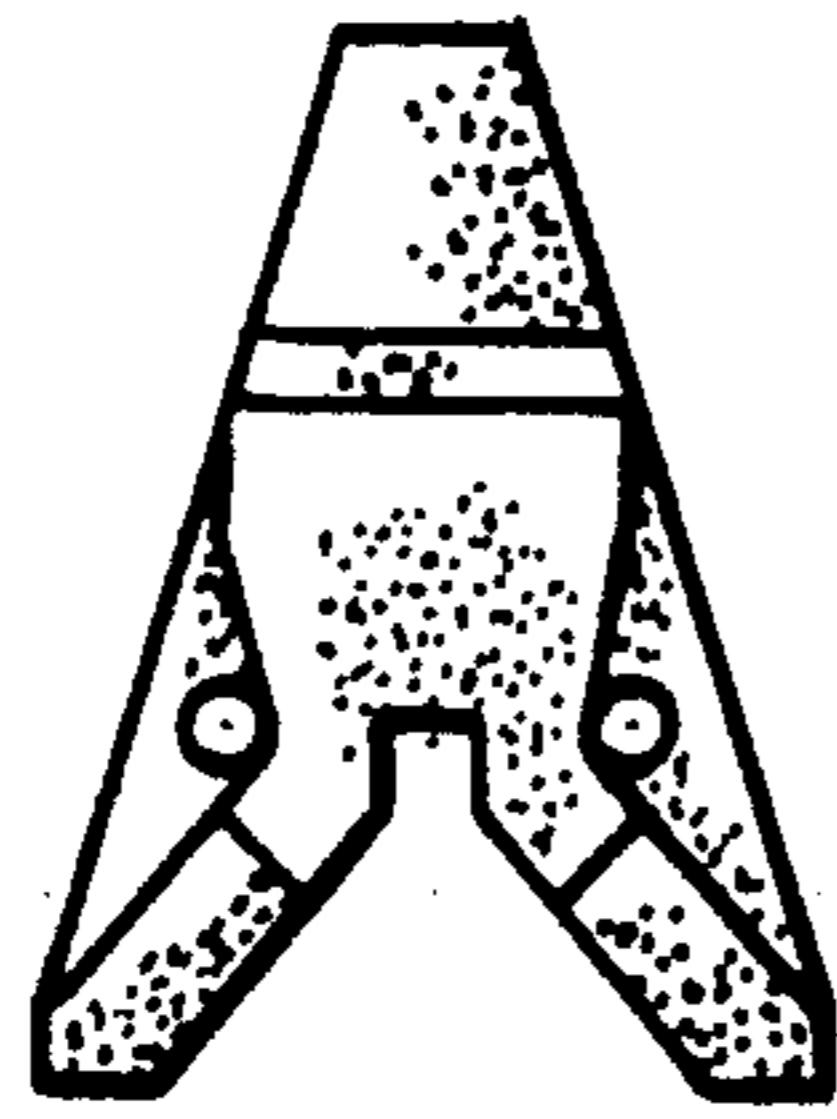
FIG\_2



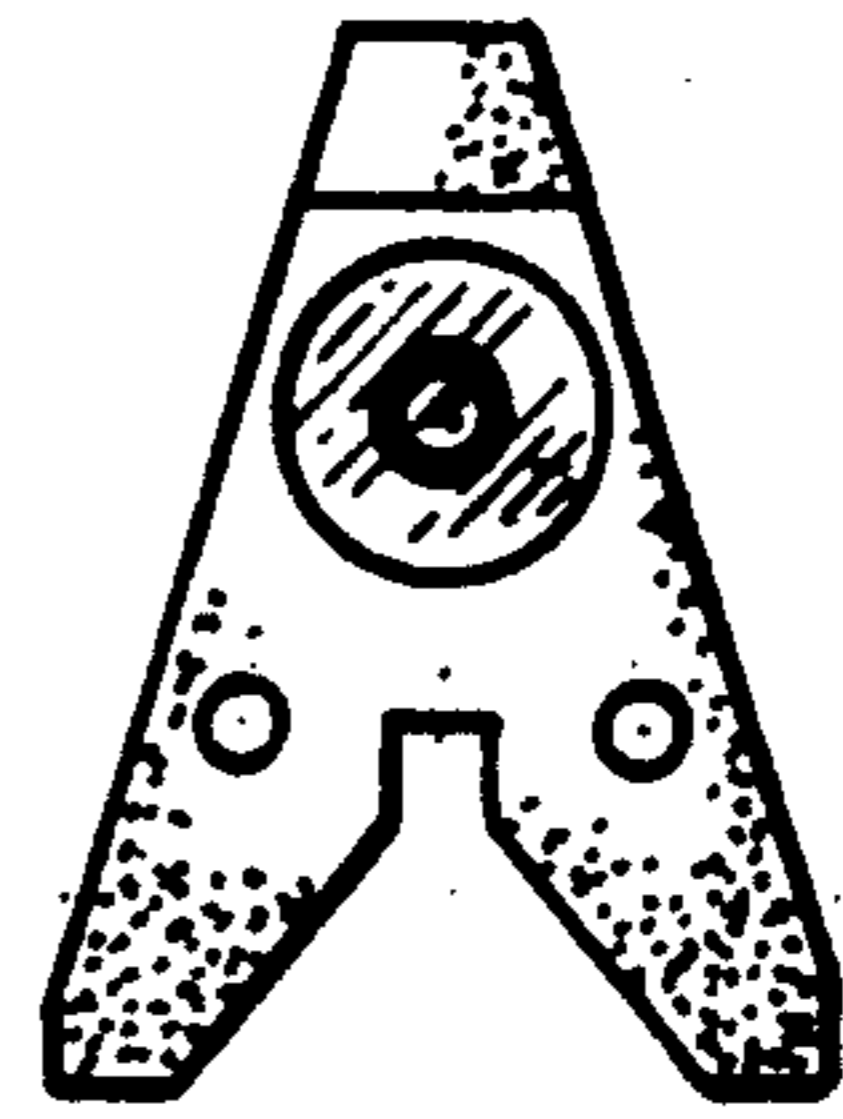
FIG\_3



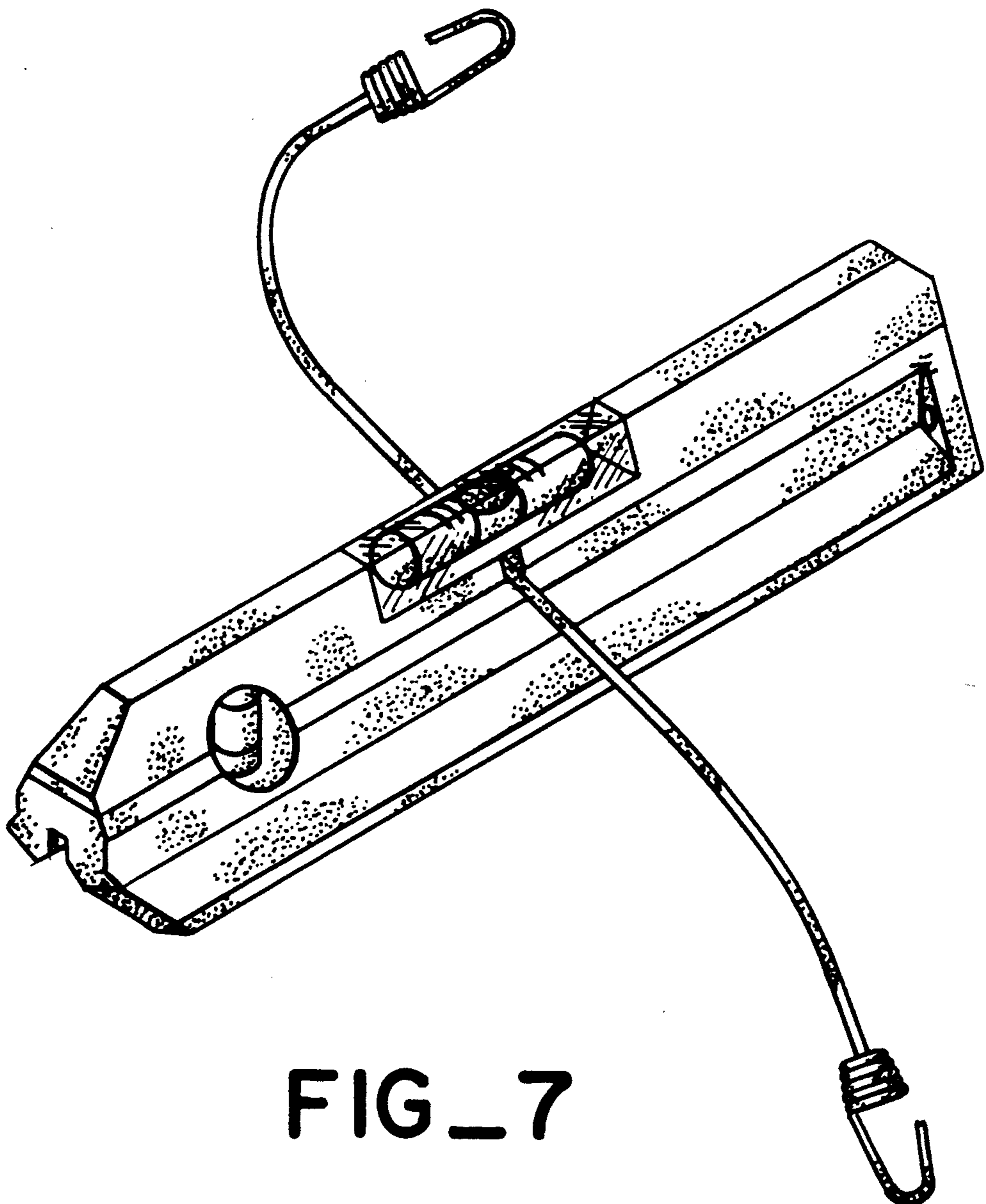
FIG\_6



FIG\_4



FIG\_5



FIG\_7