



US00D332410S

United States Patent [19] Rowell

[11] Patent Number: **Des. 332,410**

[45] Date of Patent: **** Jan. 12, 1993**

[54] ANGLE MEASUREMENT INSTRUMENT

[76] Inventor: **Steve G. Rowell**, 7420 Nut Bank Rd.,
Pascagoula, Miss. 39567

[**] Term: **14 Years**

[21] Appl. No.: **489,659**

[22] Filed: **Mar. 7, 1990**

[52] U.S. Cl. **D10/65; D10/71;**
D10/70; D10/62

[58] Field of Search **D10/62, 68, 65, 70,**
D10/71, 74; 33/257, 343, 418, 424, 425, 457,
465, 471, 534

[56] **References Cited**

U.S. PATENT DOCUMENTS

14,973	4/1884	Thompson	D10/65 X
80,252	7/1868	Ward	33/451
D. 136,535	10/1943	Bley	D10/65 X
154,976	9/1874	York	D10/65 X
655,004	7/1900	Penfield	D10/65 X
729,347	5/1903	Hummel	33/343
1,125,388	1/1915	Parrett	33/424
3,229,372	1/1966	Quashnook et al.	33/471
4,506,451	3/1985	Hiltz .	

4,669,195 6/1987 Griffin .

4,731,933 3/1988 Cope .

4,736,524 4/1988 King 33/418 X

FOREIGN PATENT DOCUMENTS

470745 2/1953 Italy 33/761

Primary Examiner—Carmen H. Vales-Lado

Assistant Examiner—Antoine D. Davis

Attorney, Agent, or Firm—Terry M. Gernstein

[57] CLAIM

The ornamental design for an angle measurement instrument, as shown and described.

DESCRIPTION

FIG. 1 is a top, front and right side perspective view of a angle measurement instrument showing my new design;

FIG. 2 is a front elevational view;

FIG. 3 is a rear elevational view;

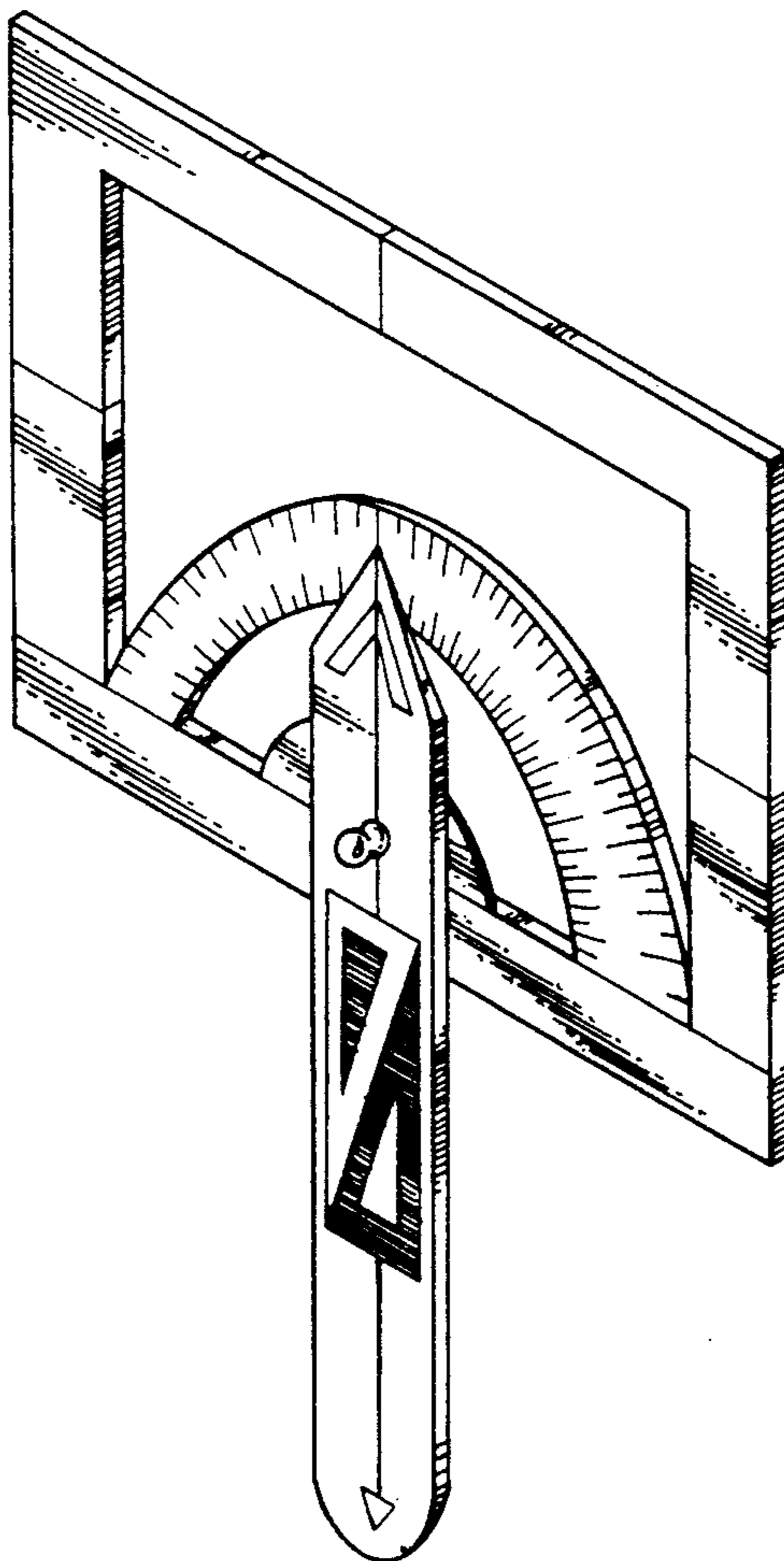
FIG. 4 is a left side elevational view;

FIG. 5 is a right side elevational view;

FIG. 6 is a top plan view; and,

FIG. 7 is bottom plan view thereof.

FIG. 1 has been drawn on an enlarged scale with respect to FIGS. 2-7.



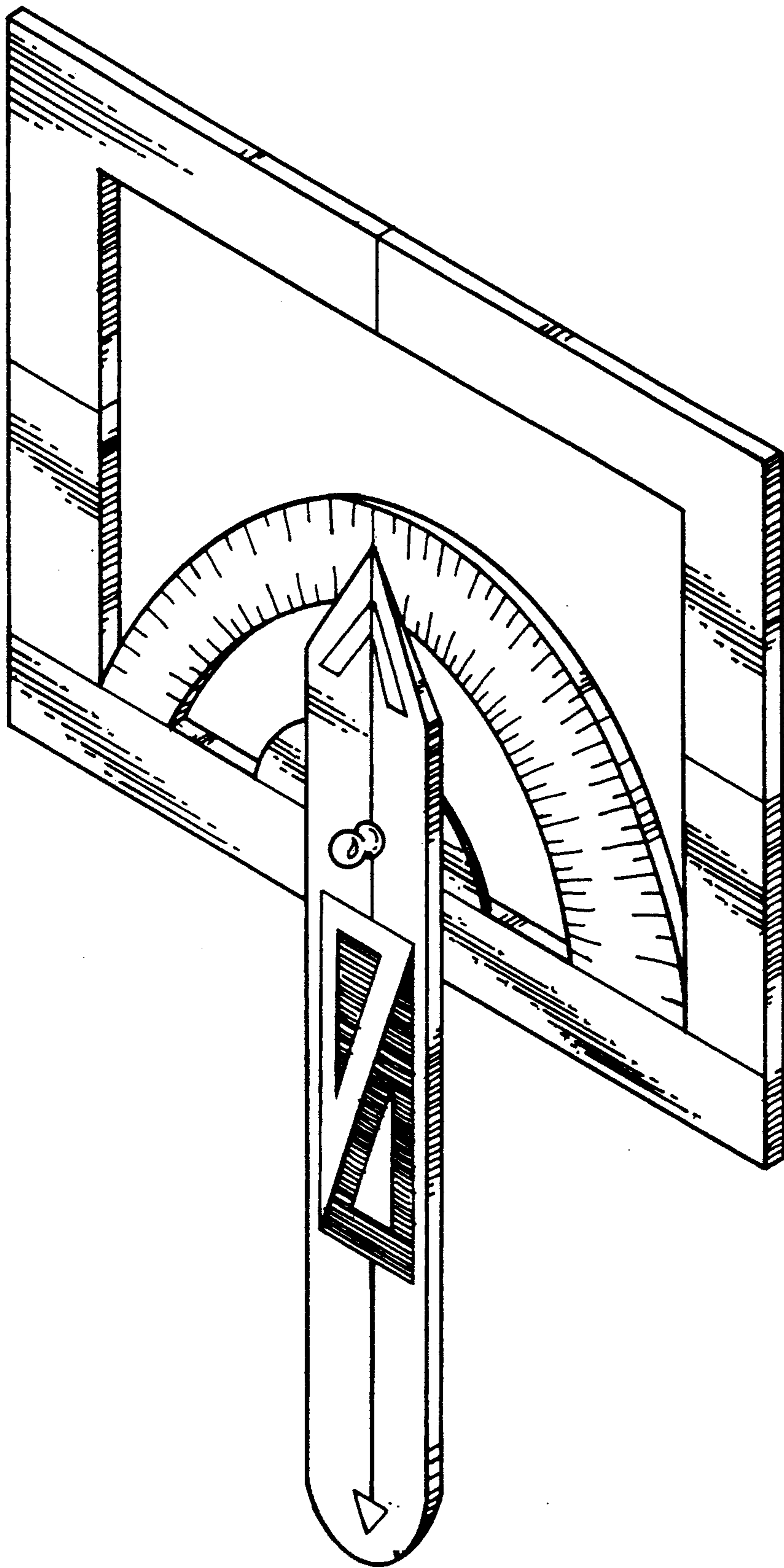


FIG. 1

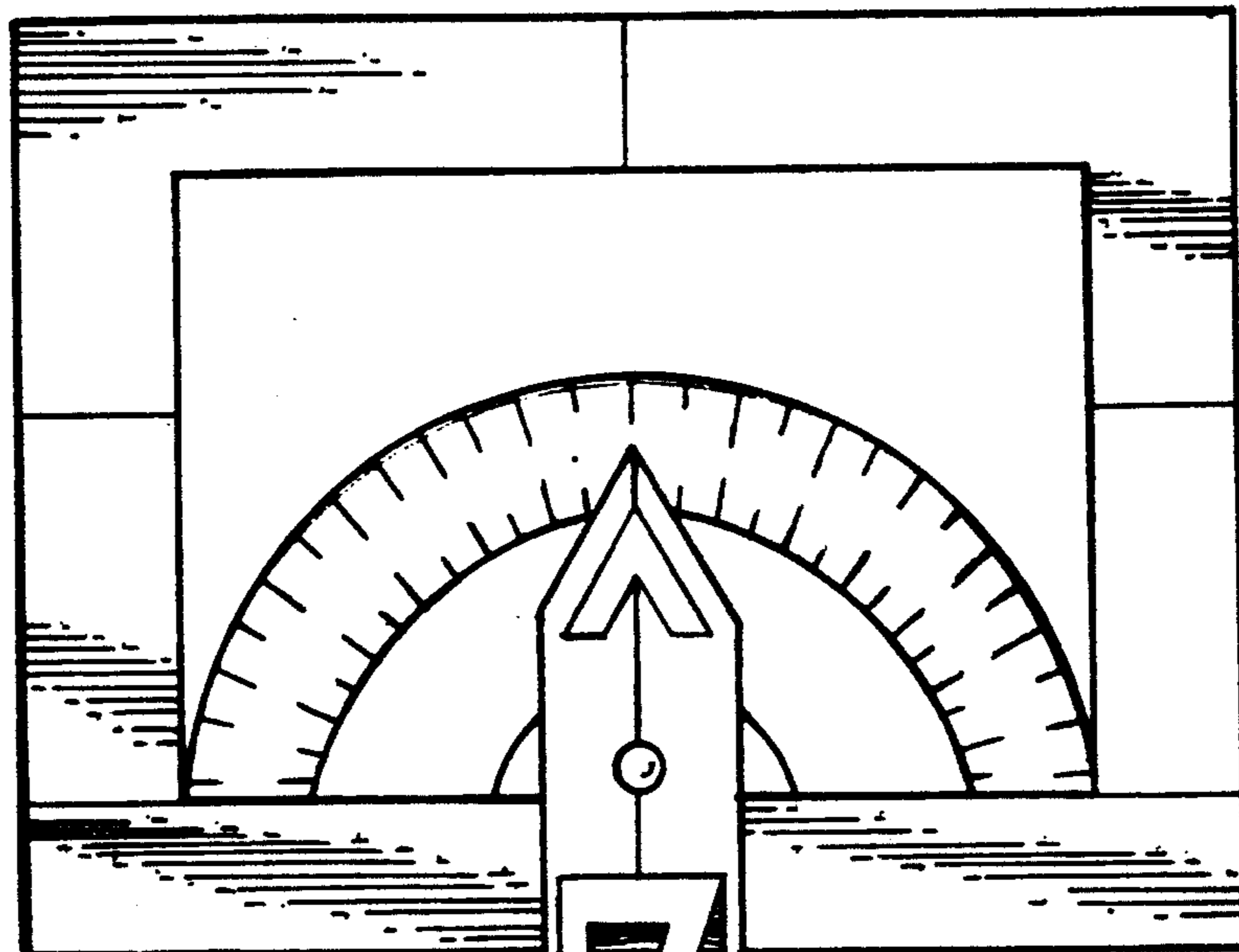


FIG. 2

FIG. 6



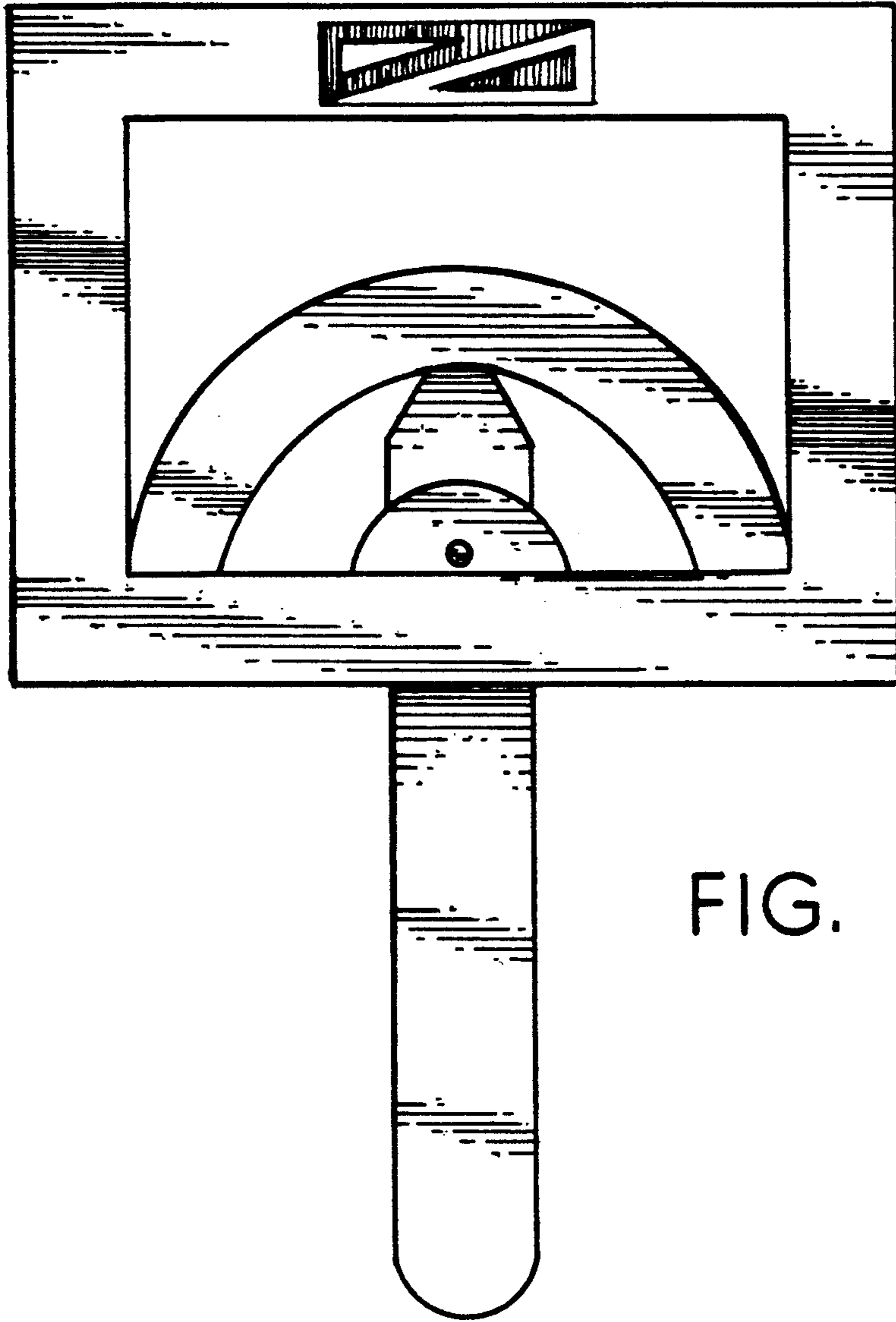


FIG. 3



FIG. 7

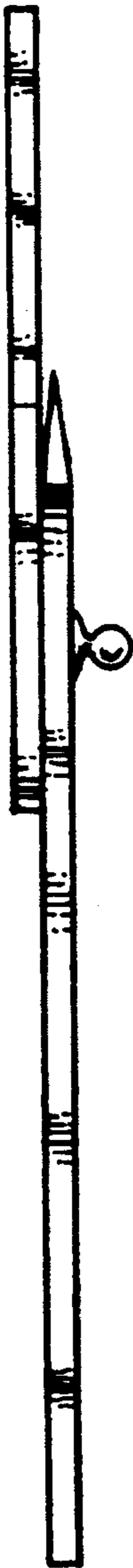


FIG. 4



FIG. 5