



US00D332407S

# United States Patent [19]

[11] Patent Number: **Des. 332,407**

Giordano et al.

[45] Date of Patent: **\*\* Jan. 12, 1993**

[54] **CLOCK**

[76] Inventors: **Theo Giordano; Simon R. Williamson,**  
both of 12 Hazard Ave., Providence,  
R.I. 02906

[\*\*] Term: **14 Years**

[21] Appl. No.: **511,540**

[22] Filed: **Apr. 20, 1990**

[52] U.S. Cl. .... **D10/23; D10/126;**  
**D10/27**

[58] Field of Search ..... **D10/1-40,**  
**D10/122-132; 368/316-317, 276-277, 280-285**

[56] **References Cited**

**U.S. PATENT DOCUMENTS**

D. 55,019 5/1920 Bennet ..... D10/23  
D. 184,092 12/1958 Kremel ..... D10/23 X

D. 193,198 7/1962 Cumbus ..... D10/22 X  
D. 193,871 10/1962 Bosland ..... D10/22 X  
D. 259,105 5/1981 Hocq ..... D10/23  
D. 316,042 4/1991 Takashima ..... D10/23

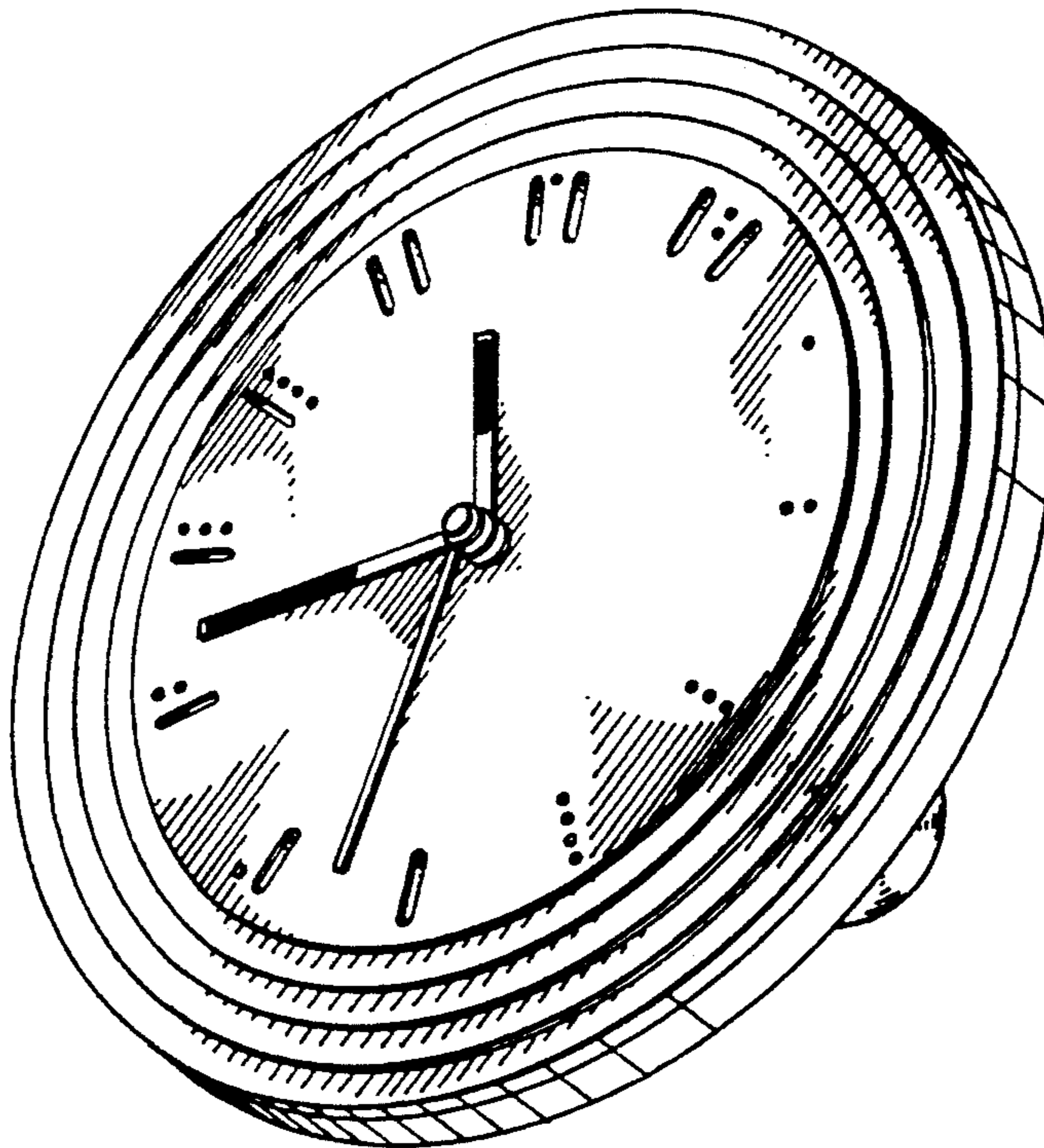
*Primary Examiner*—Nelson C. Holtje  
*Attorney, Agent, or Firm*—Salter, Michaelson & Benson

[57] **CLAIM**

The ornamental design for a clock, as shown and described.

**DESCRIPTION**

FIG. 1 is a right-front perspective view of a clock showing our new design on its base;  
FIG. 2 is a front face elevational view thereof;  
FIG. 3 is a rear elevational view of FIG. 2;  
FIG. 4 is a right side elevational view of FIG. 1, the left side being a mirror image; and,  
The FIG. 1 view is on a reduced scale from FIGS. 2-4.



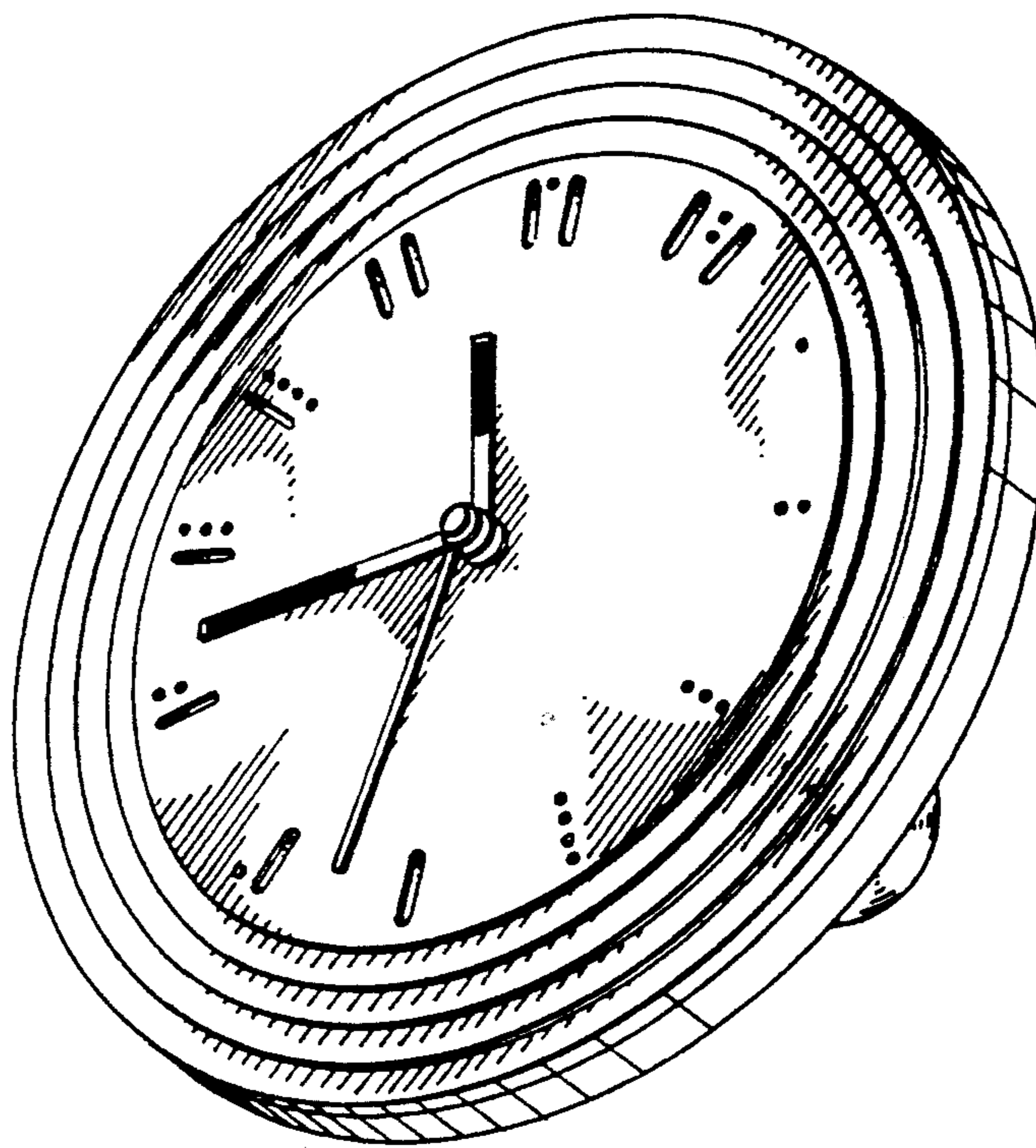


FIG. 1

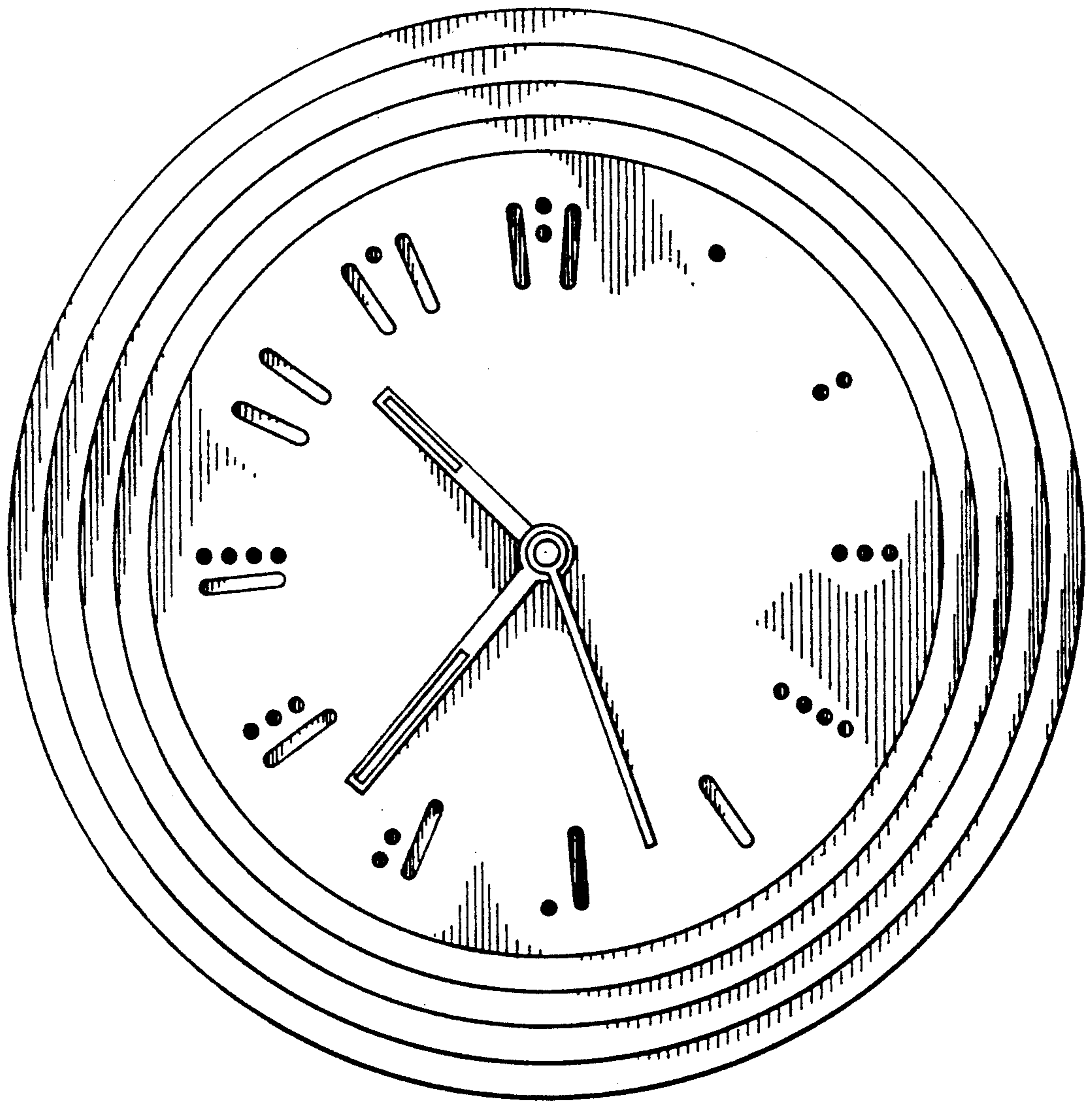


FIG. 2

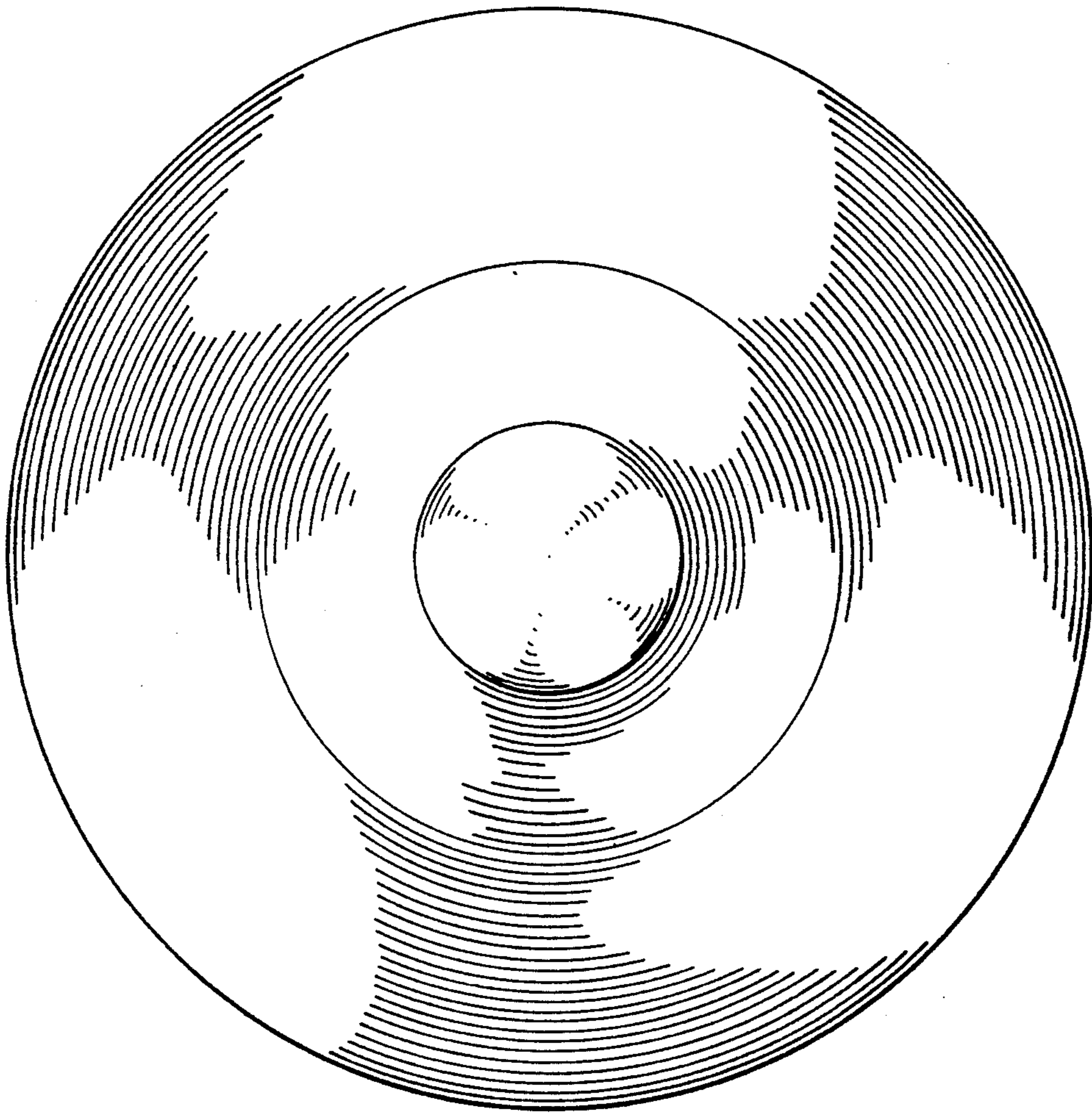


FIG. 3

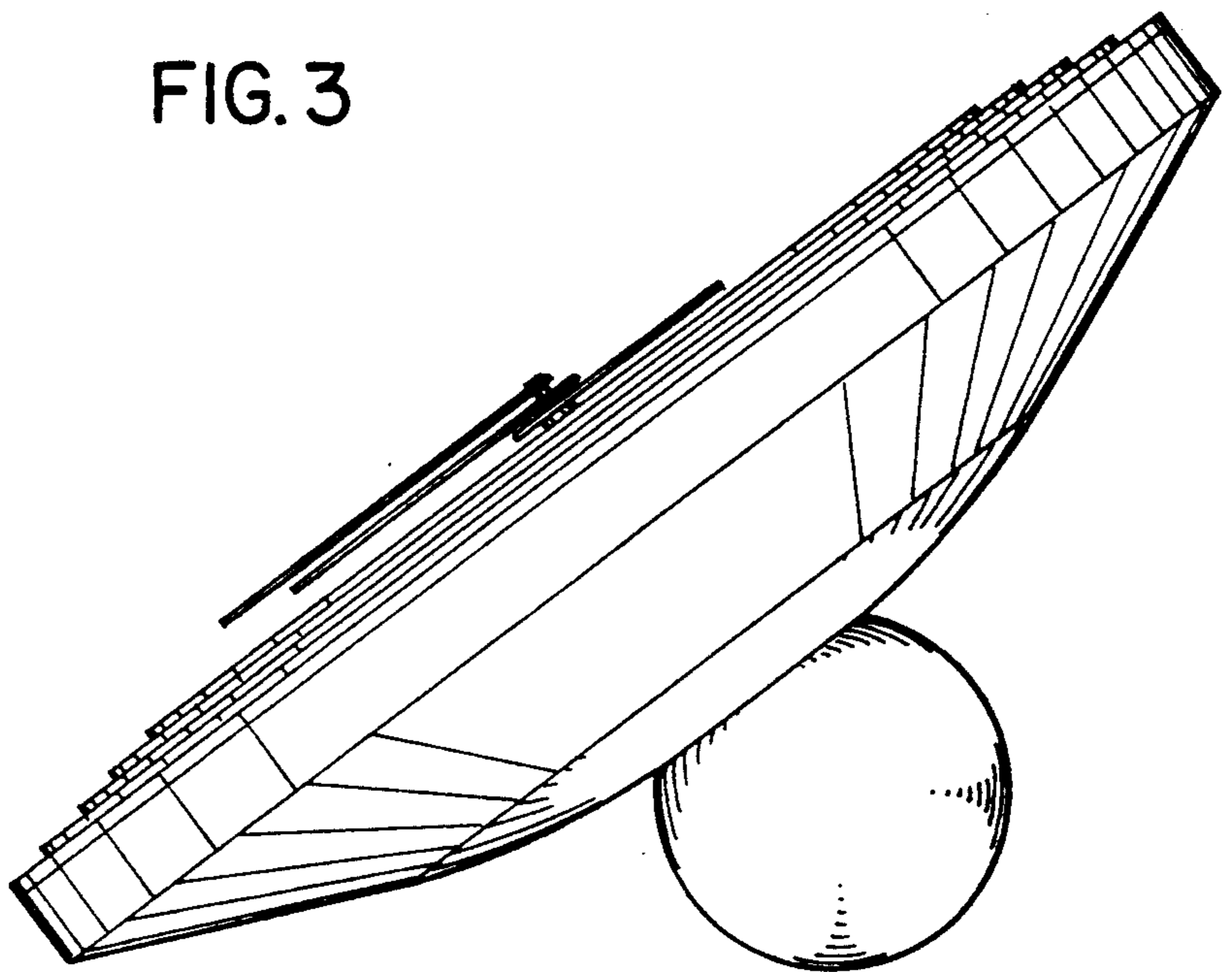


FIG. 4