



US00D332404S

# United States Patent [19]

[11] Patent Number: **Des. 332,404**

Monighetti et al.

[45] Date of Patent: **\*\* Jan. 12, 1993**

[54] **PLASTIC BAG HOLDER**

4,805,857 2/1989 Travis ..... 248/99 X  
4,930,734 6/1990 Schmidt ..... D34/6 X

[76] Inventors: **Randy M. Monighetti**, 7407 Langley Canyon Rd., Salinas, Calif. 93907;  
**Ricky E. Monighetti**, P.O. Box 3452, Salinas, Calif. 93912

### OTHER PUBLICATIONS

Webster's Dictionary; p. 830; Fluer de Lis.

[\*\*] Term: **14 Years**

*Primary Examiner*—Bernard Ansher  
*Assistant Examiner*—Dominic Simone  
*Attorney, Agent, or Firm*—Leon Gilden

[21] Appl. No.: **564,956**

### [57] CLAIM

[22] Filed: **Aug. 9, 1990**

The ornamental design for a plastic bag holder, as shown and described.

[52] U.S. Cl. .... **D9/455; D9/434**

[58] Field of Search ..... **D9/434, 455; D34/6; 248/95-99; 220/404; 211/12; 383/33-34.1**

### DESCRIPTION

### [56] References Cited

#### U.S. PATENT DOCUMENTS

D. 233,402	10/1974	Kane	.....	D34/6
D. 285,016	8/1986	Claydon	.....	D34/6
D. 290,538	6/1987	Basore	.....	D34/6 X
D. 687,408	8/1972	Lake	.....	D34/6 X
3,905,406	9/1975	Cruse	.....	248/95 X

FIG. 1 is a front elevational view of the plastic bag holder showing our new design;  
FIG. 2 is a rear elevational view thereof;  
FIG. 3 is a left side elevational view thereof;  
FIG. 4 is a right side elevational view thereof;  
FIG. 5 is a top plan view thereof;  
FIG. 6 is a bottom plan view thereof; and,  
FIG. 7 is a perspective view thereof.

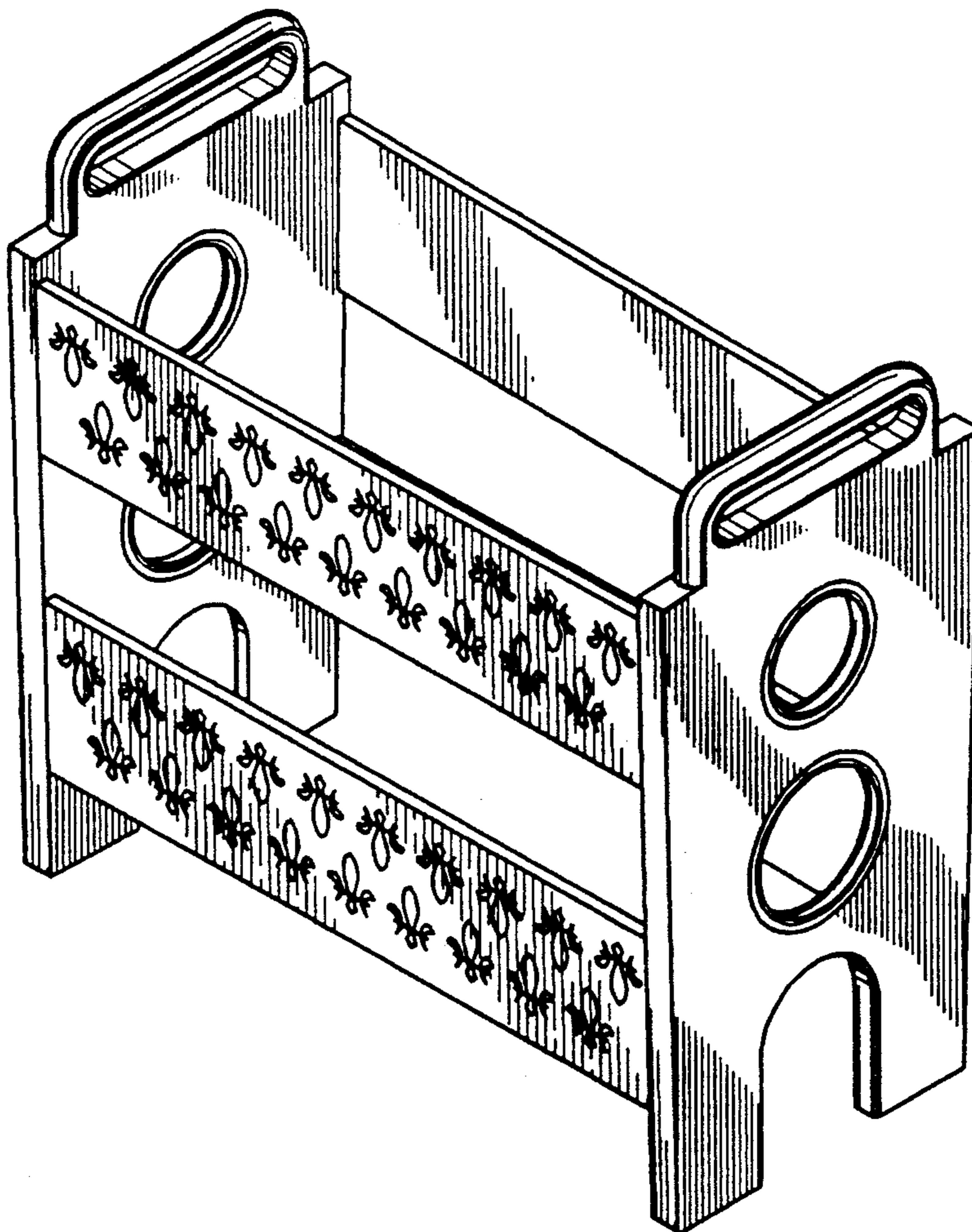


FIG. 1

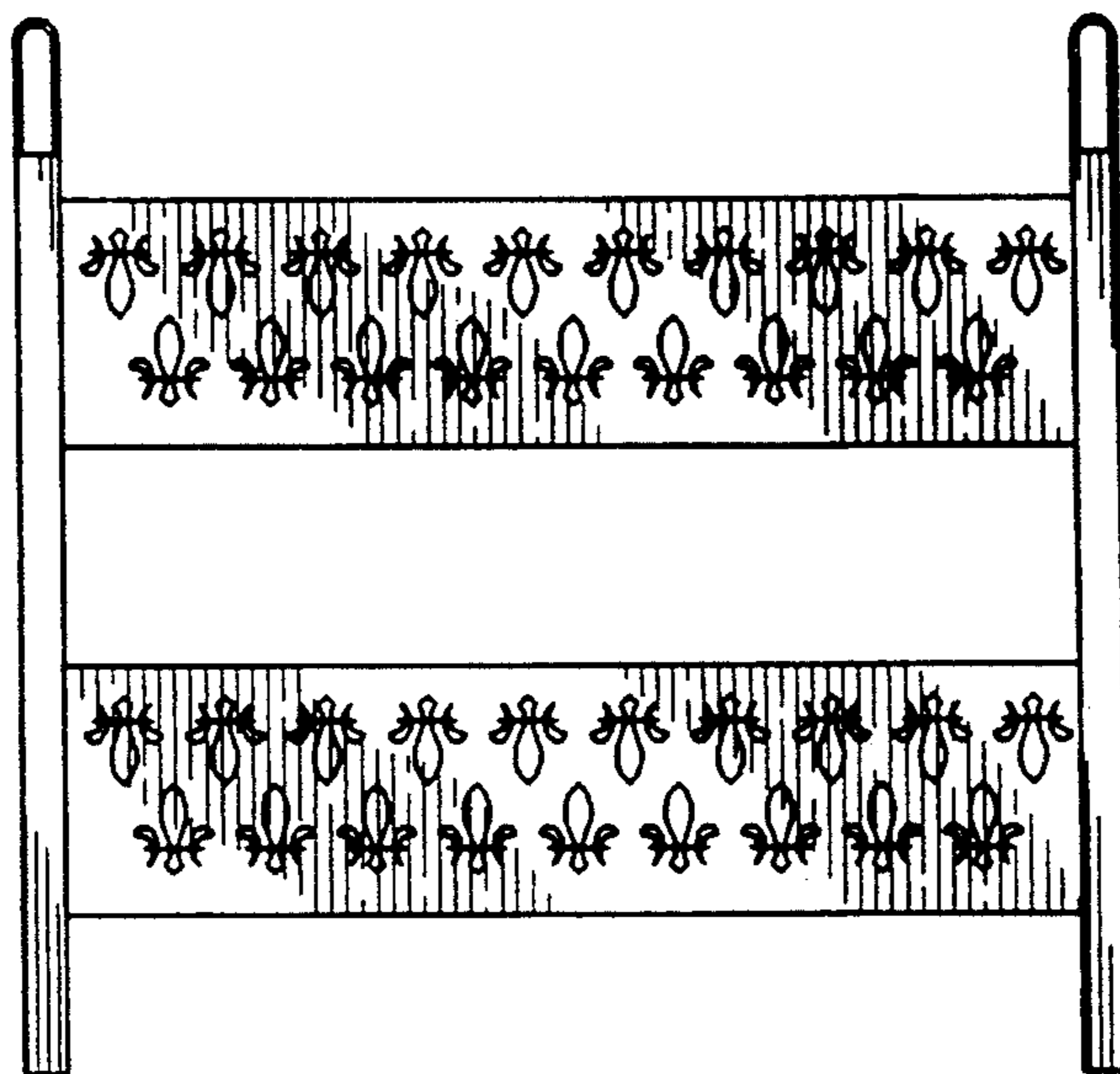
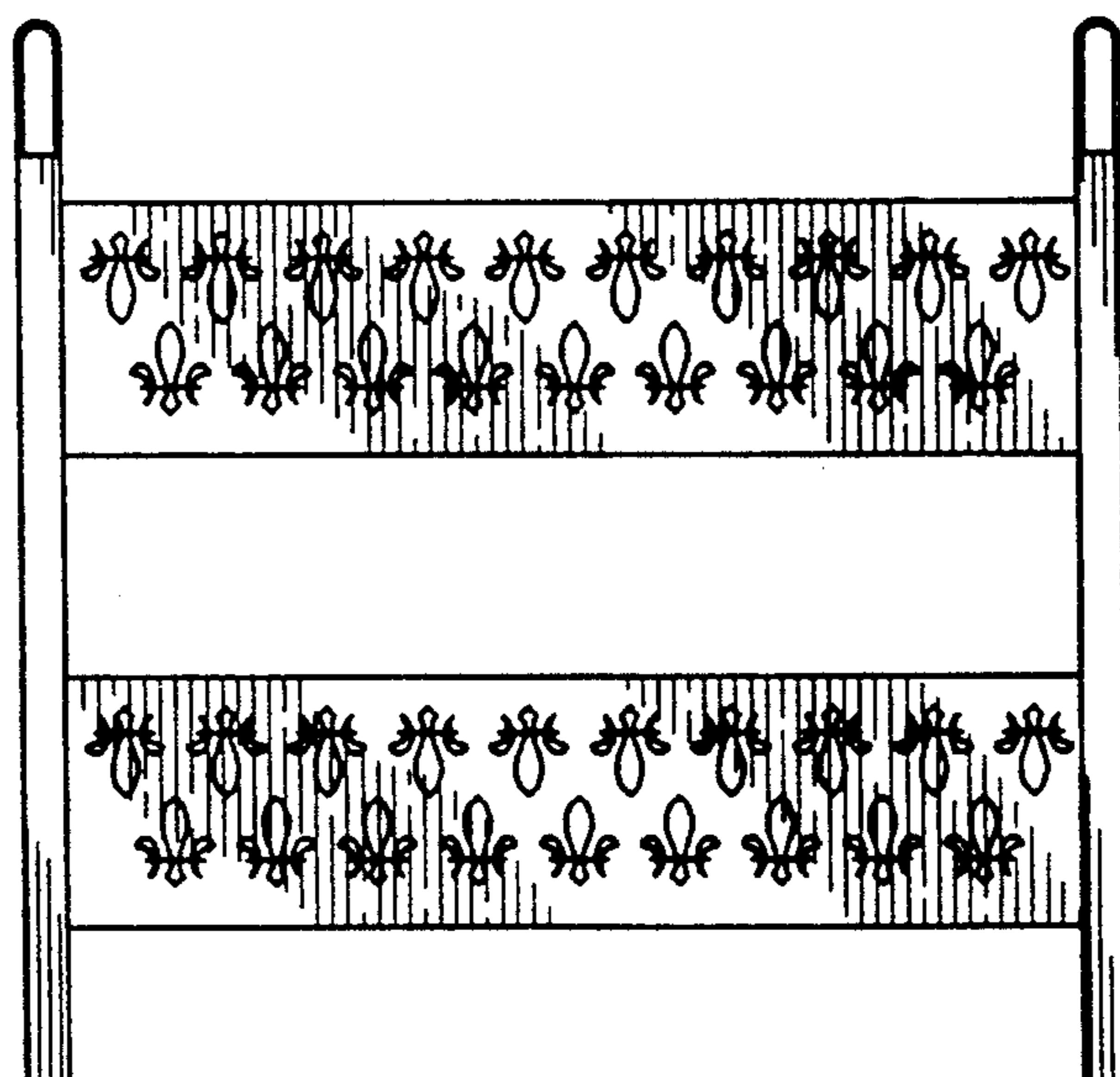
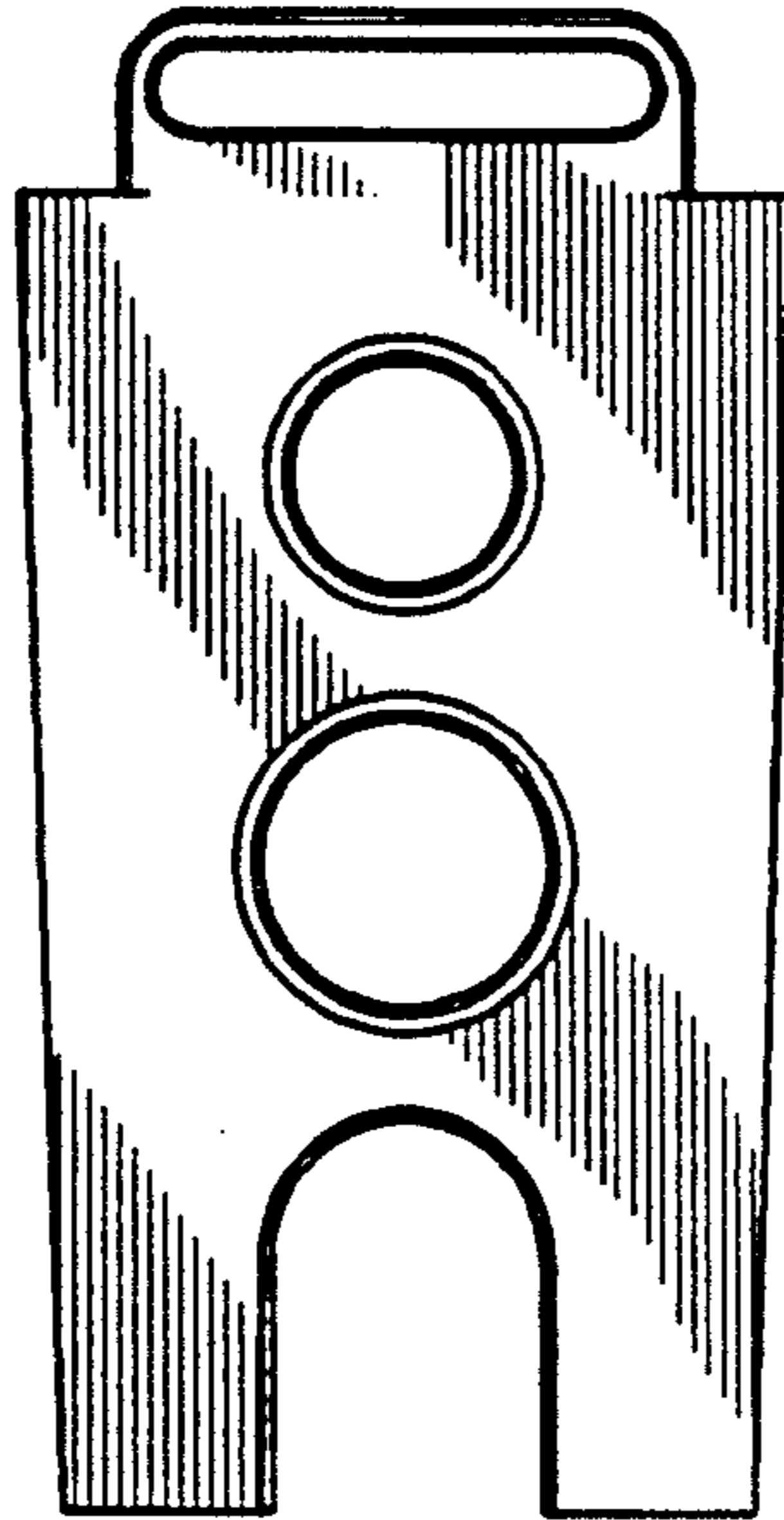


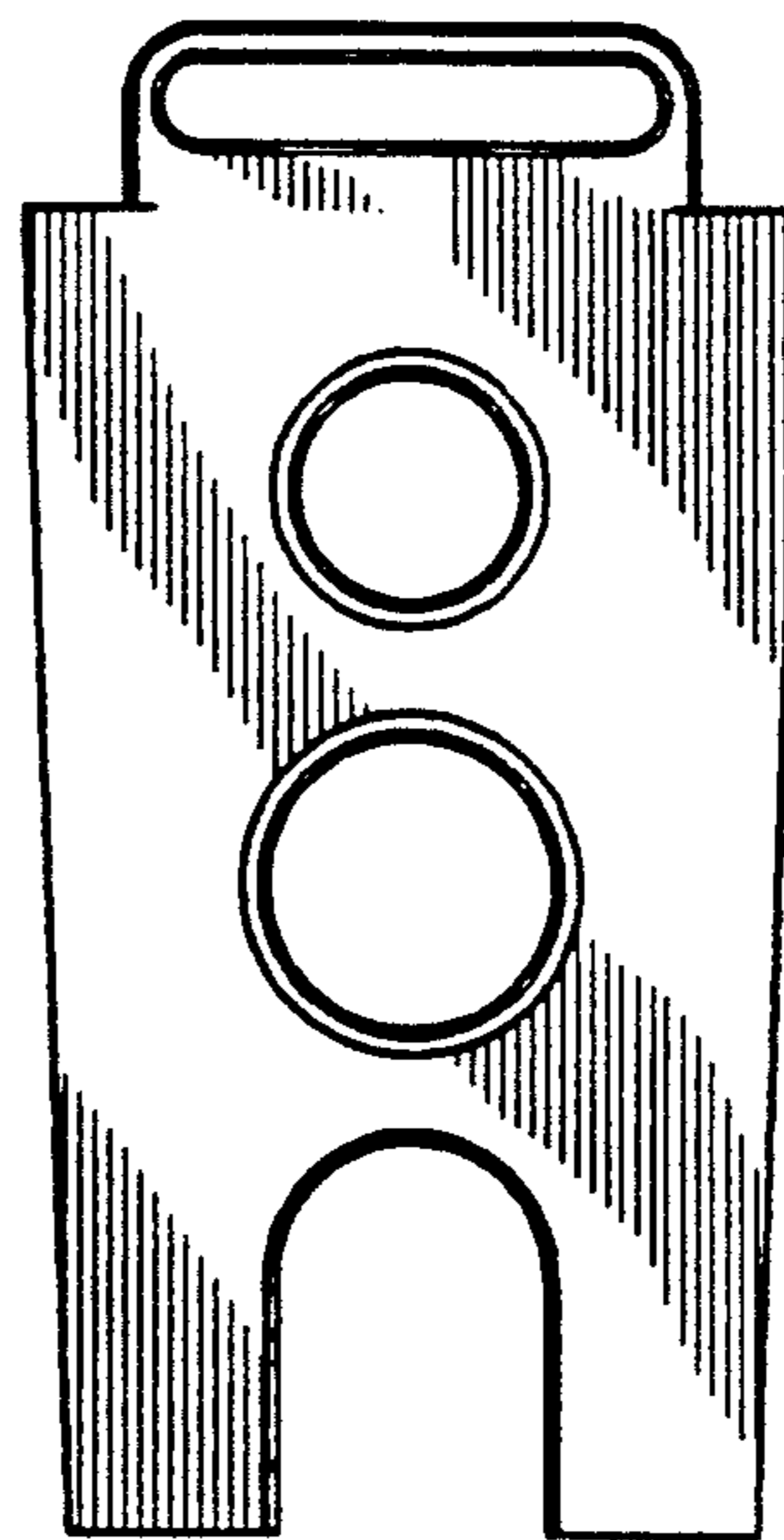
FIG. 2



*FIG. 3*



*FIG. 4*



*FIG. 5*



*FIG. 6*

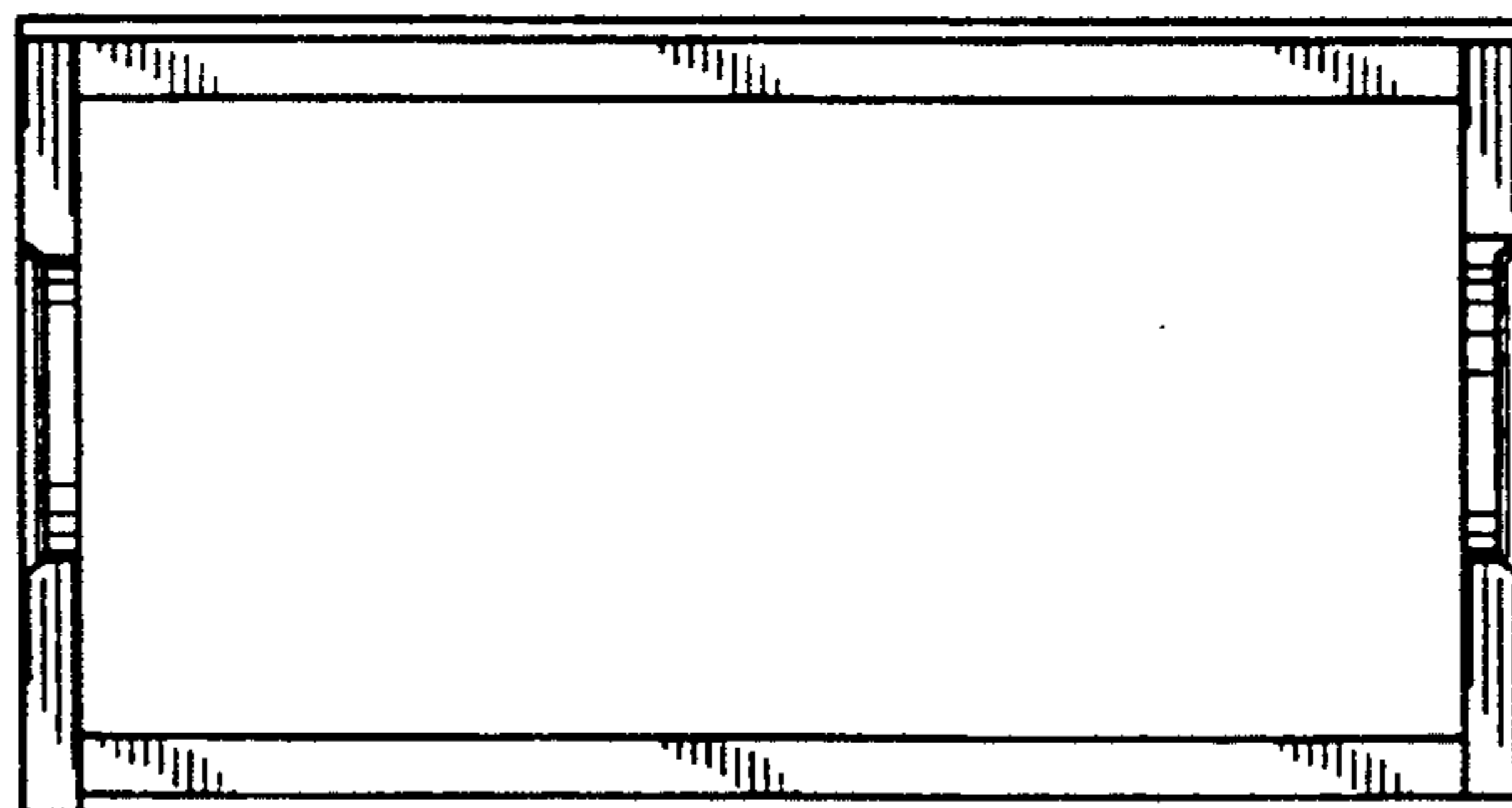


FIG. 7

