



US00D332403S

United States Patent [19]
Johnson, III

[11] **Patent Number: Des. 332,403**

[45] **Date of Patent: ** Jan. 12, 1993**

[54] **CAN CAP**

[76] **Inventor: John H. Johnson, III, 5519 Hickam Dr., Dayton, Ohio 45431**

[**] **Term: 14 Years**

[21] **Appl. No.: 572,371**

[22] **Filed: Aug. 27, 1990**

[52] **U.S. Cl. D9/451; D9/435; D9/454**

[58] **Field of Search D9/435, 451, 454; 211/89, 60.1; 220/90.2-90.6, 363, 352; 215/316; 248/200**

[56] **References Cited**

U.S. PATENT DOCUMENTS

- D. 291,971 9/1987 Smith D9/454 X
- D. 292,676 11/1987 Mileto D9/454 X
- 3,490,177 1/1970 Perrion 220/352 X

4,679,702 7/1987 Maccarone .

4,749,100 6/1988 Eberhart .

4,796,774 1/1989 Nabinger .

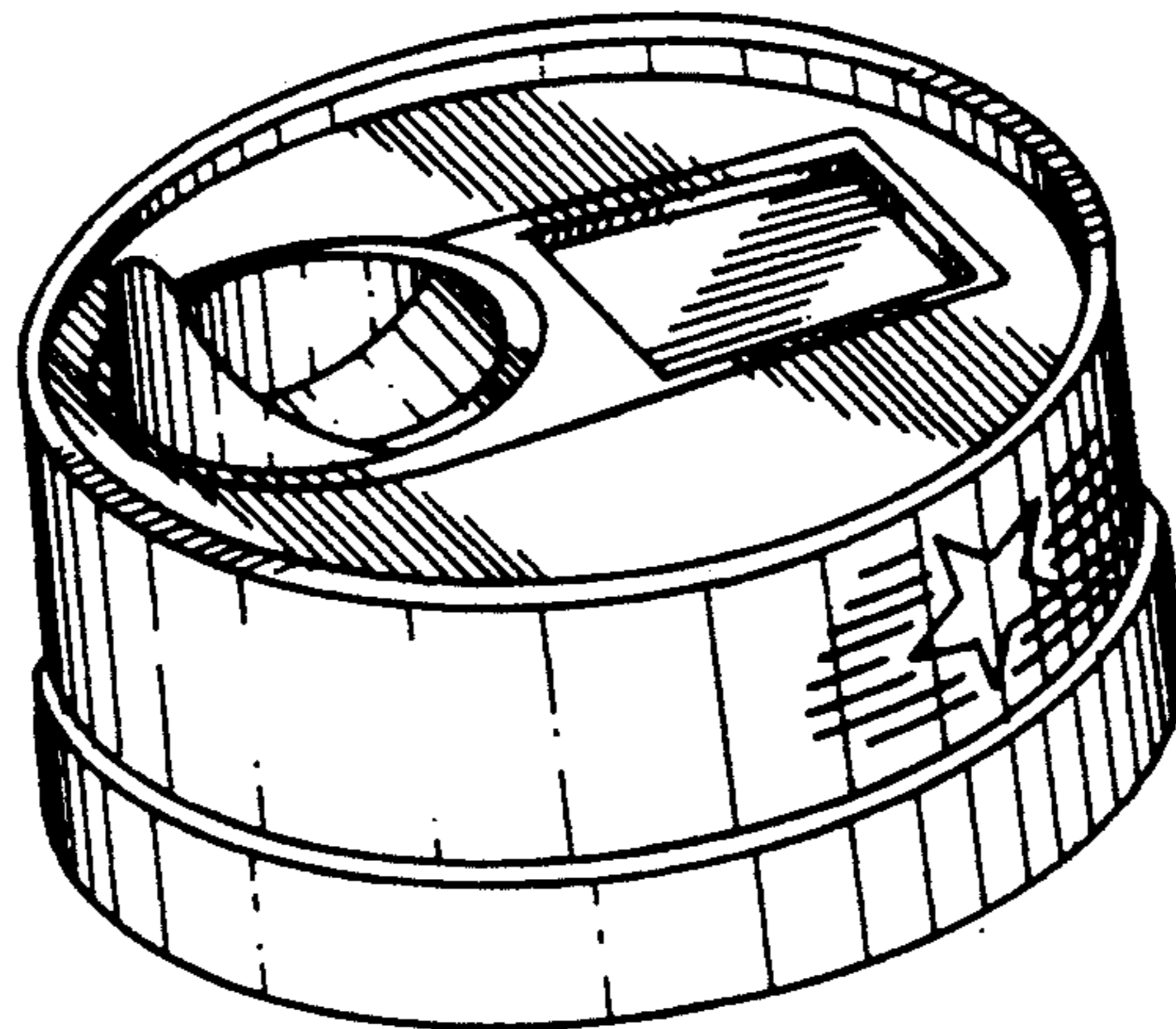
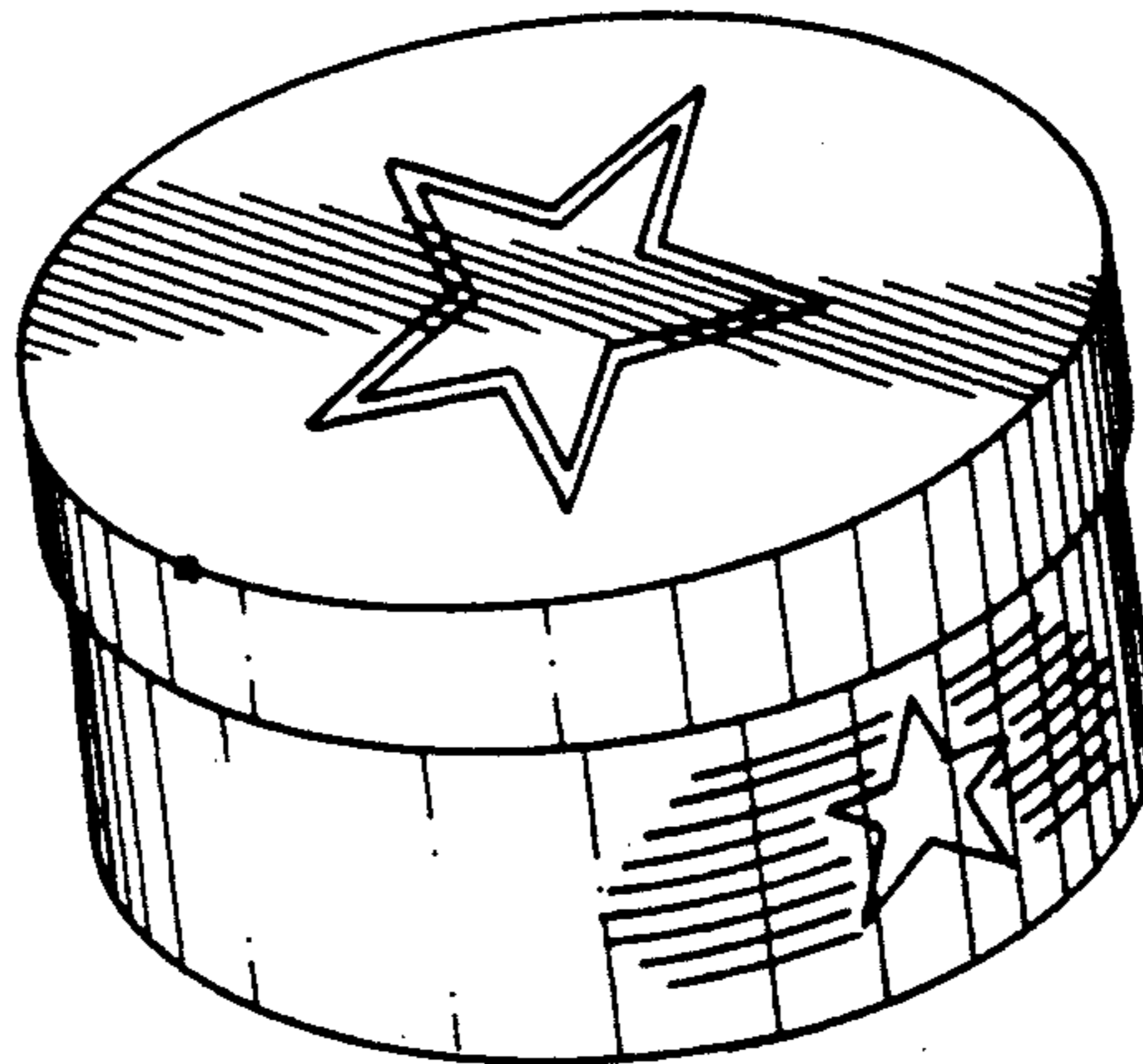
Primary Examiner—Bernard Ansher
Assistant Examiner—Dominic Simone
Attorney, Agent, or Firm—Terry M. Gernstein

[57] **CLAIM**

The ornamental design for a can cap, as shown and described.

DESCRIPTION

FIG. 1 is a top front perspective view of a can cap showing my new design;
FIG. 2 is an inverted bottom perspective view thereof;
FIG. 3 is a side elevational view thereof, the opposite side being a mirror image;
FIG. 4 is a rear elevational view thereof;
FIG. 5 is a top plan view thereof; and,
FIG. 6 is a bottom view thereof.



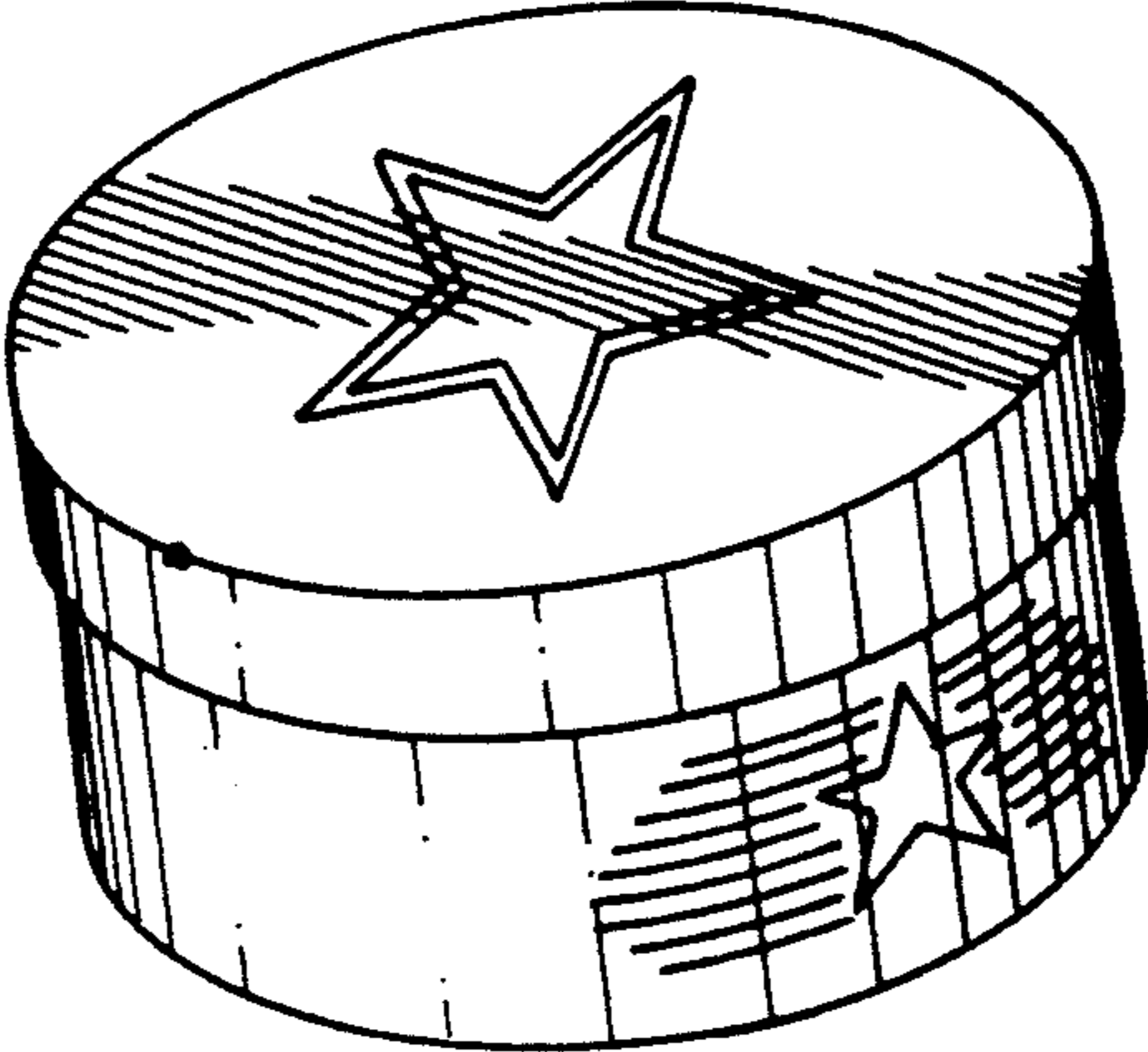
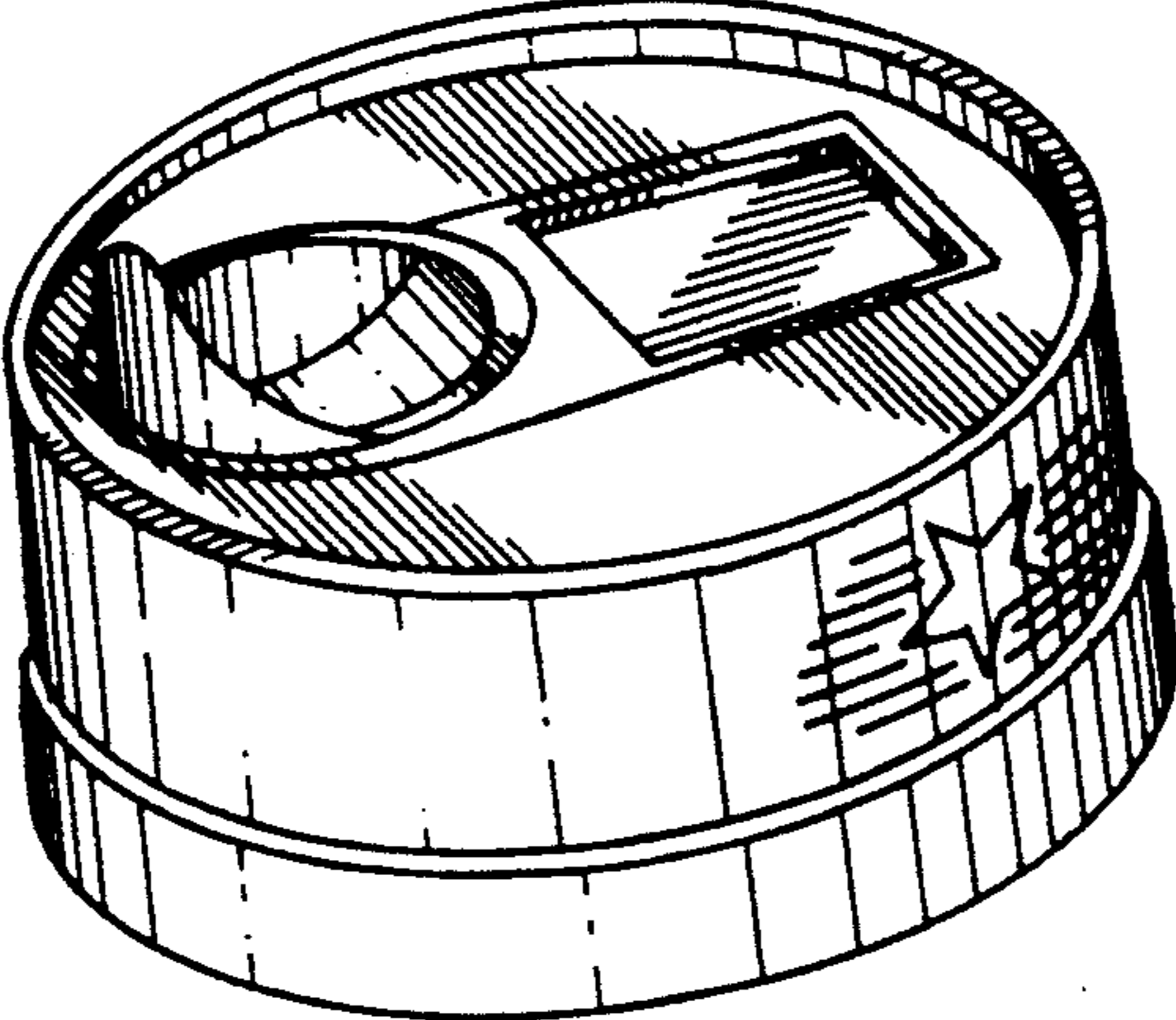


FIG. 1.

FIG. 2.



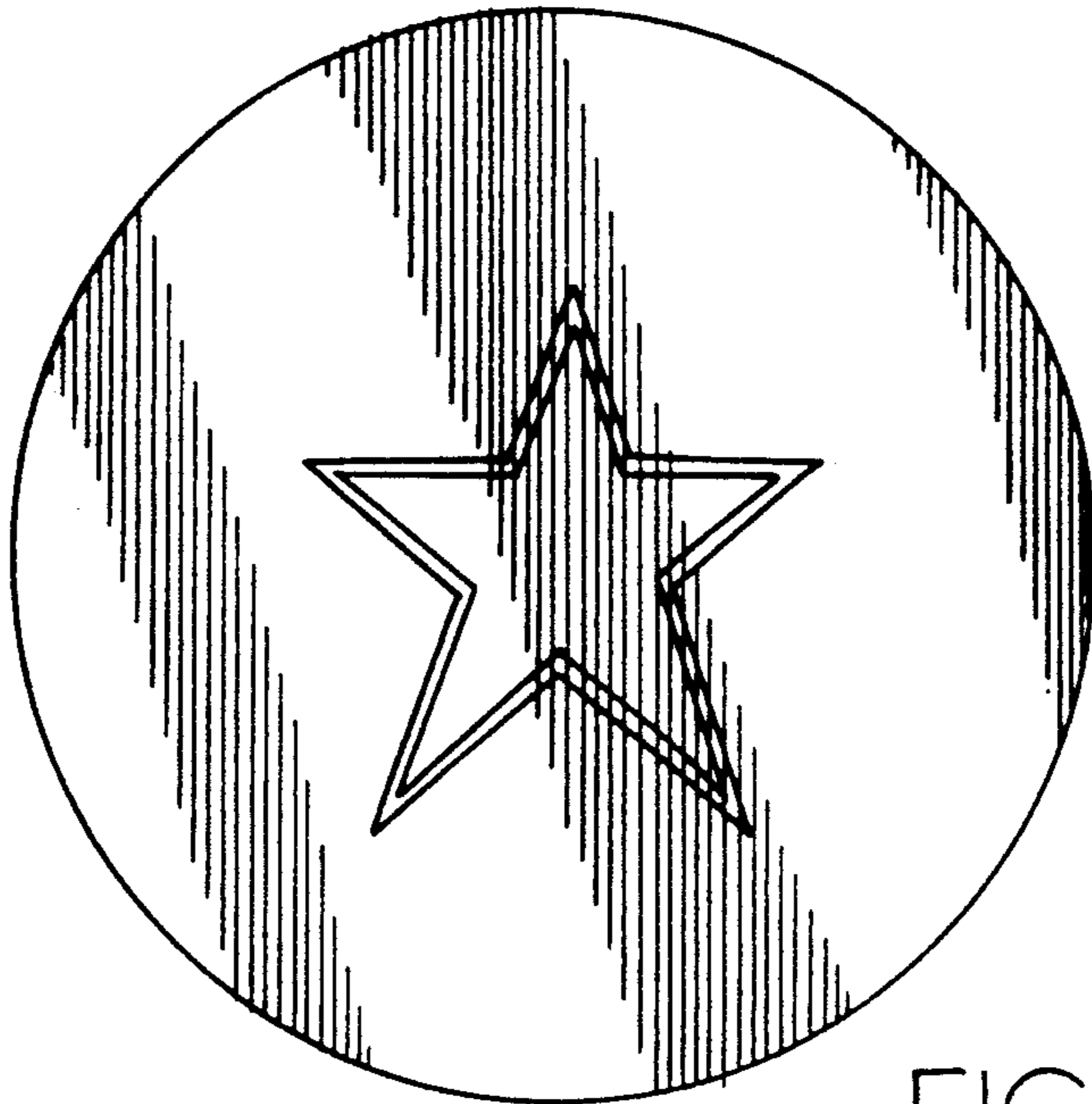


FIG. 5.

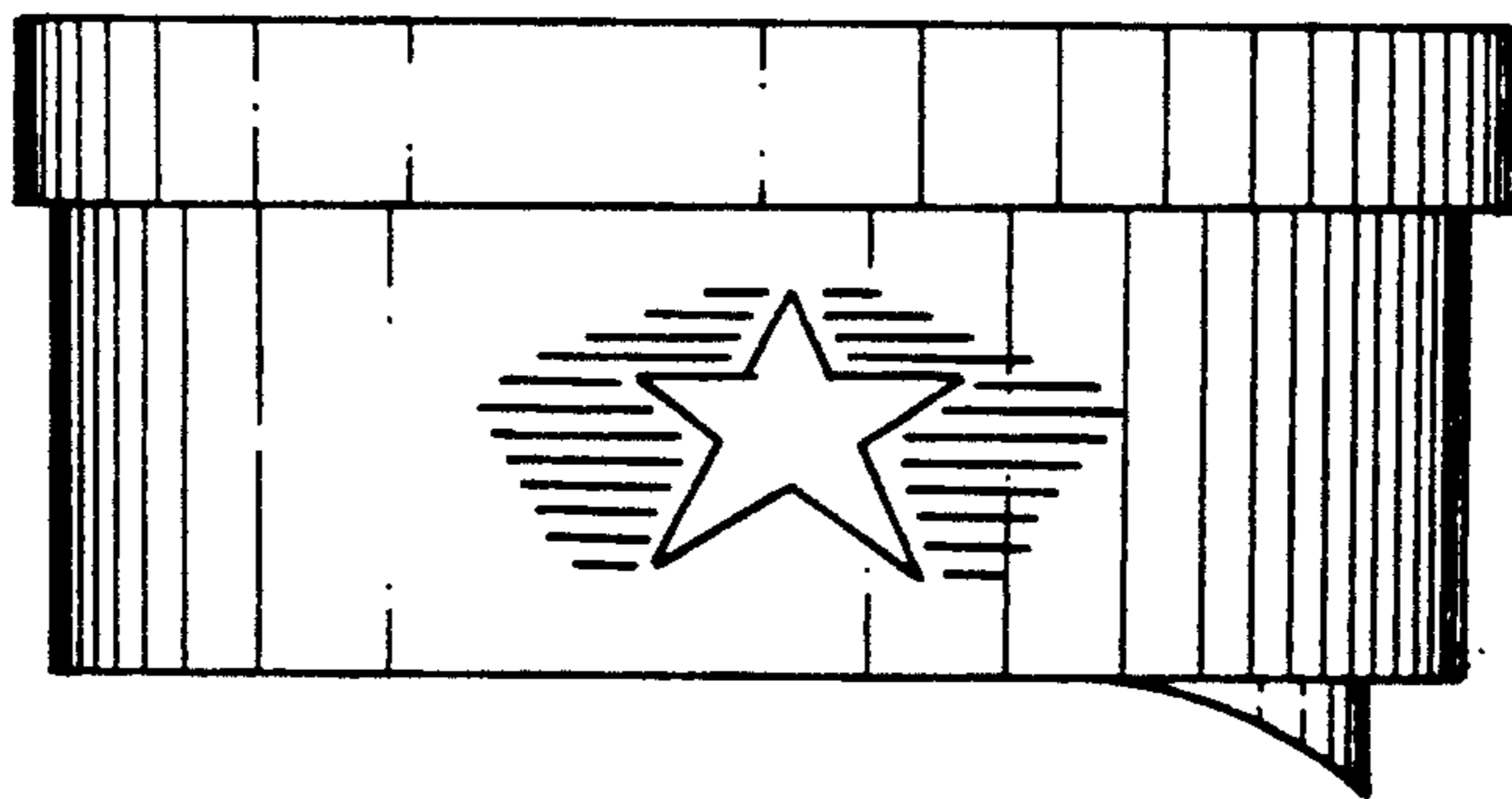


FIG. 3.

FIG. 6.

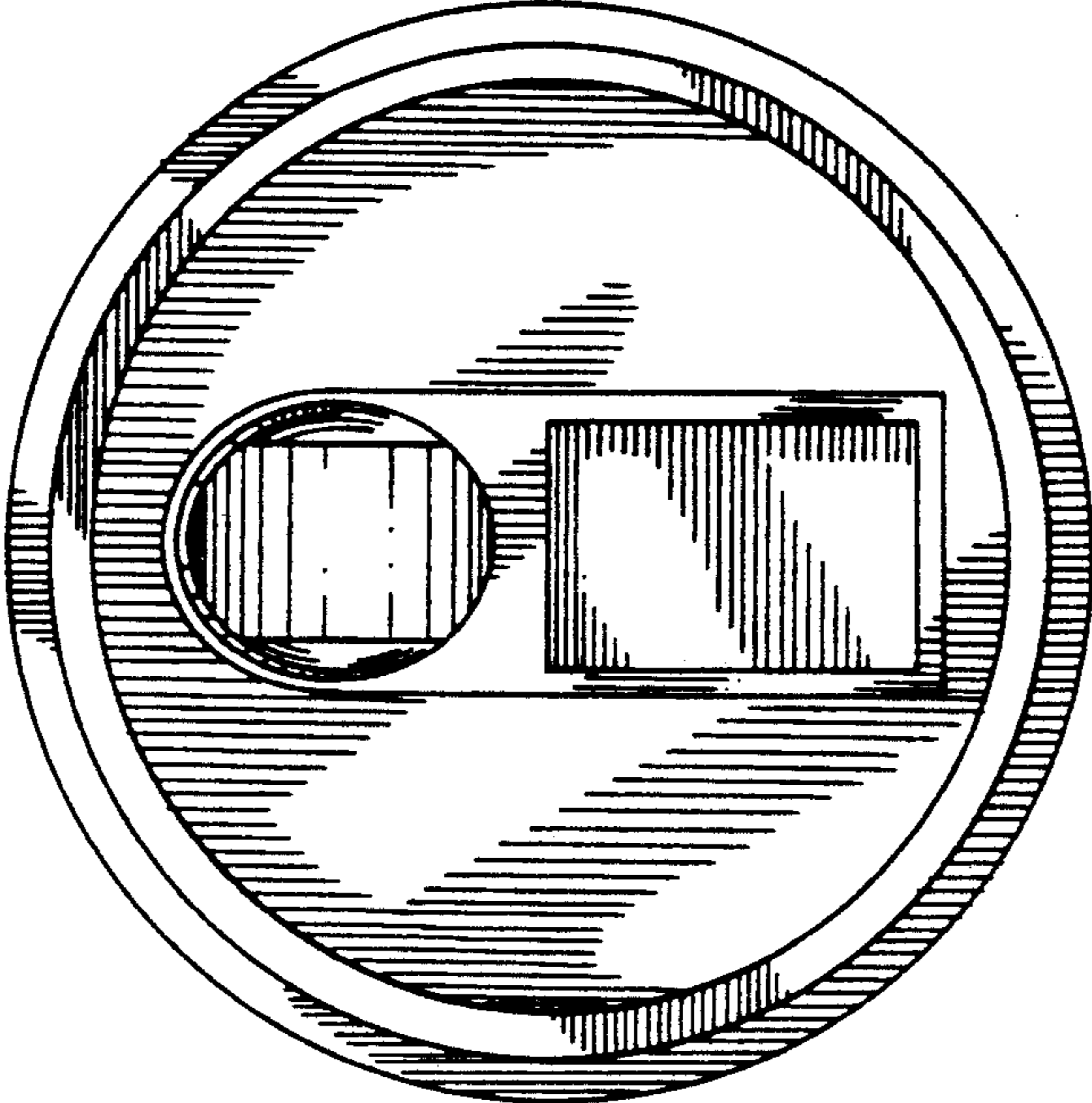


FIG. 4.

