



US00D332398S

United States Patent [19]

[11] Patent Number: **Des. 332,398**

Lee et al.

[45] Date of Patent: **** Jan. 12, 1993**

[54] **TEAR DROP PACKAGE**

[75] Inventors: **Noel Lee; Don E. Angel**, both of South San Francisco, Calif.

[73] Assignee: **Monster Cable**, South San Francisco, Calif.

[**] Term: **14 Years**

[21] Appl. No.: **654,928**

[22] Filed: **Feb. 13, 1991**

[52] U.S. Cl. **D9/415**

[58] Field of Search **D9/415, 418, 424, 425, D9/341; 206/461-471, 45.34, 806, 525**

[56] **References Cited**

U.S. PATENT DOCUMENTS

- D. 256,727 9/1980 Borg et al. D9/415 X
- D. 261,988 11/1981 Nichols et al. D9/415
- D. 273,805 5/1984 Filhol D9/341 X
- D. 282,243 1/1986 Mason D9/415 X

- D. 321,480 11/1991 Benner D9/415
- 3,434,591 3/1969 Hanscom 206/461
- 4,285,157 8/1981 Lambert 206/579 X
- 4,469,226 9/1984 Matney 206/461 X

Primary Examiner—Bernard Ansher
Assistant Examiner—Prabhakar Deshmukh
Attorney, Agent, or Firm—Rosen, Dainow & Jacobs

[57] **CLAIM**

The ornamental design for a tear drop package, as shown and described.

DESCRIPTION

FIG. 1 is a top plan view of a tear drop package showing our new design;
FIG. 2 is a right side elevational view thereof;
FIG. 3 is a front elevational view thereof;
FIG. 4 is a bottom plan view thereof;
FIG. 5 is a rear elevational view thereof;
FIG. 6 is a left side elevational view thereof; and,
FIG. 7 is a sectional elevational view thereof; taken along line 7—7 of FIG. 1.

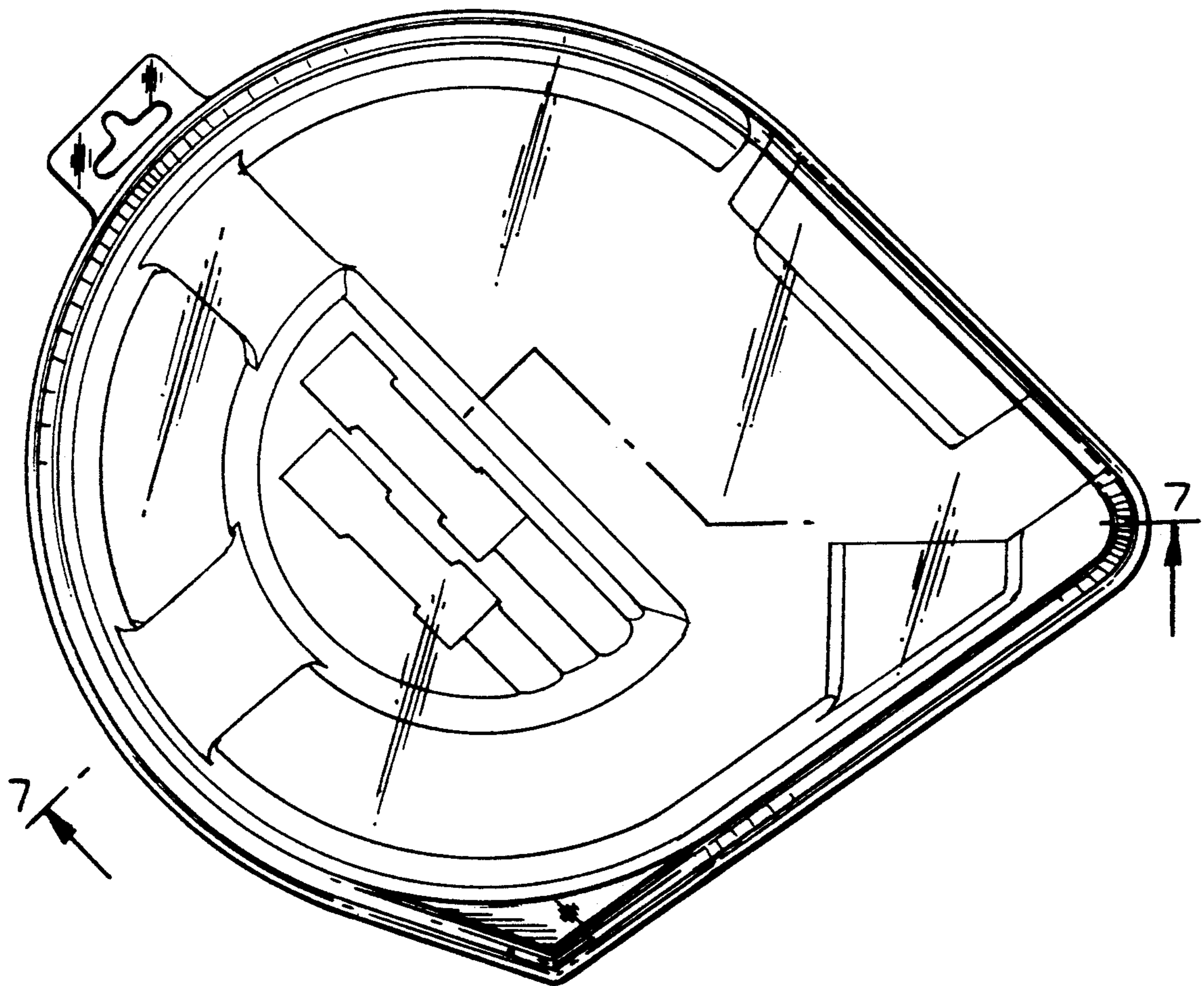


FIG. 1

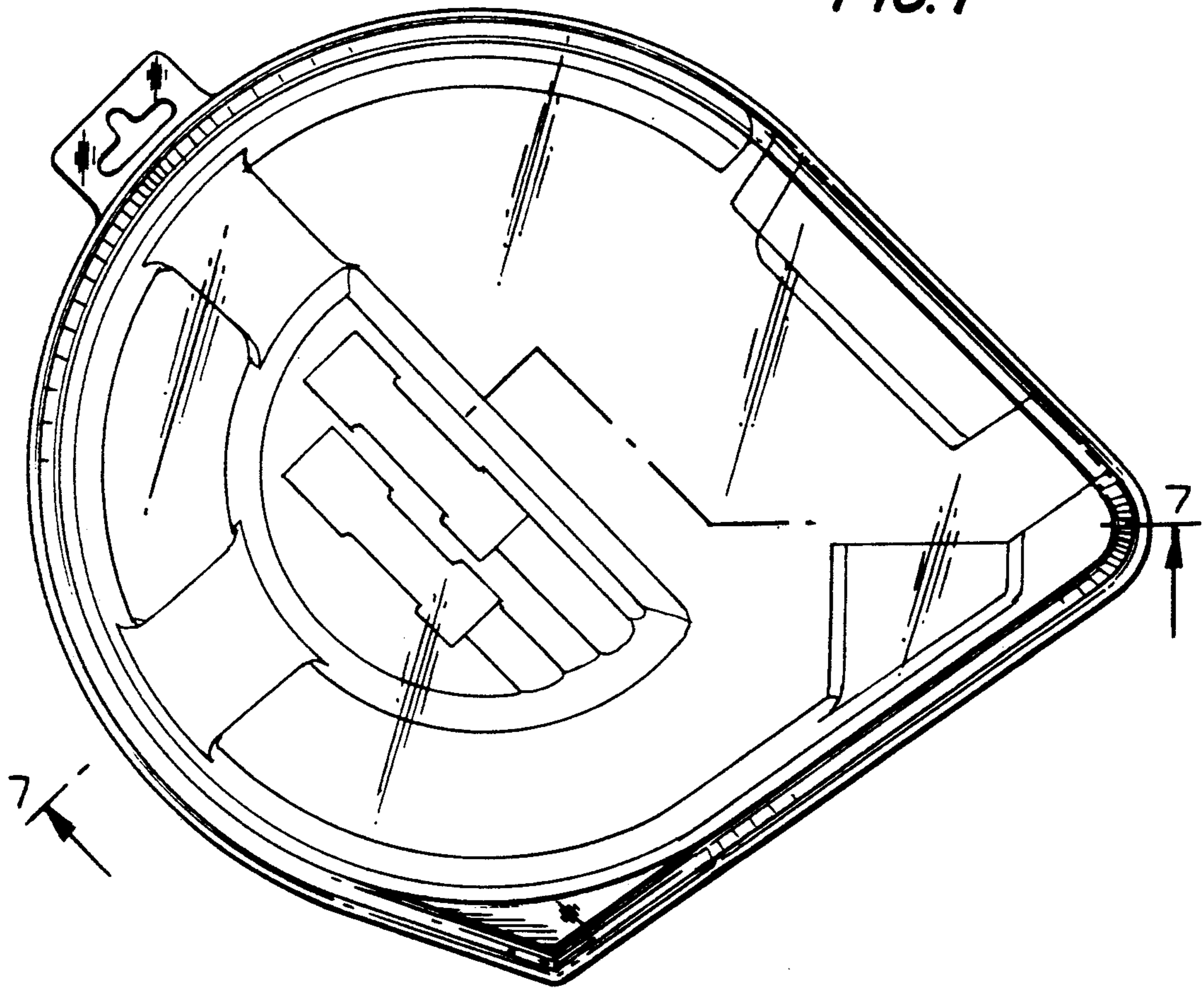


FIG. 2

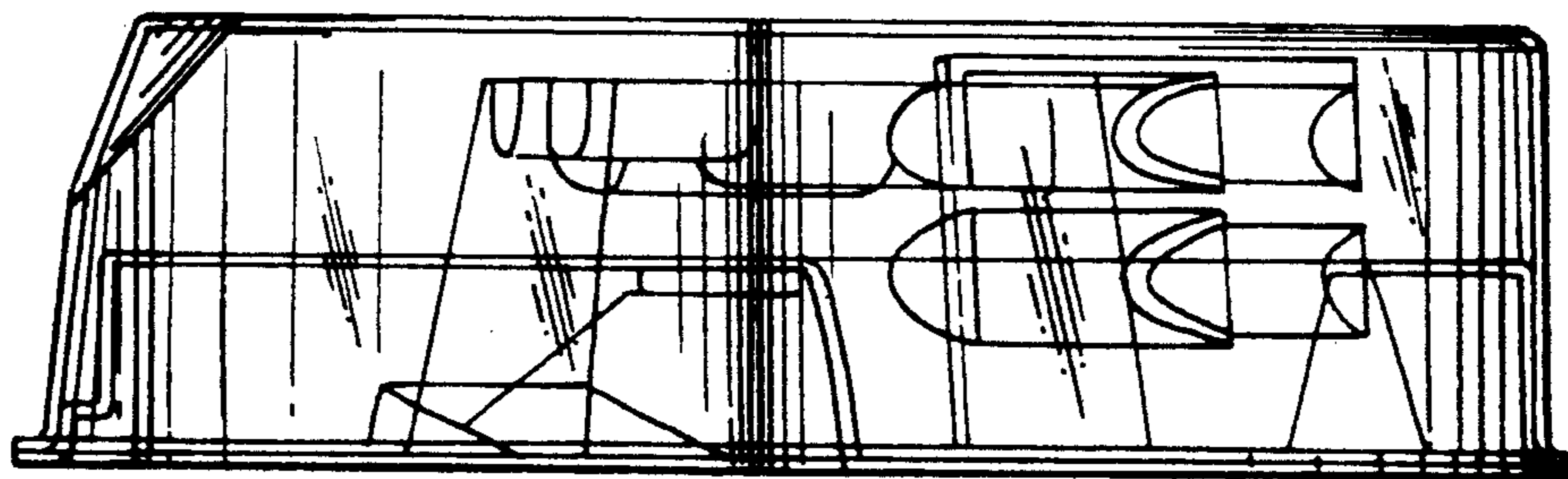


FIG. 3

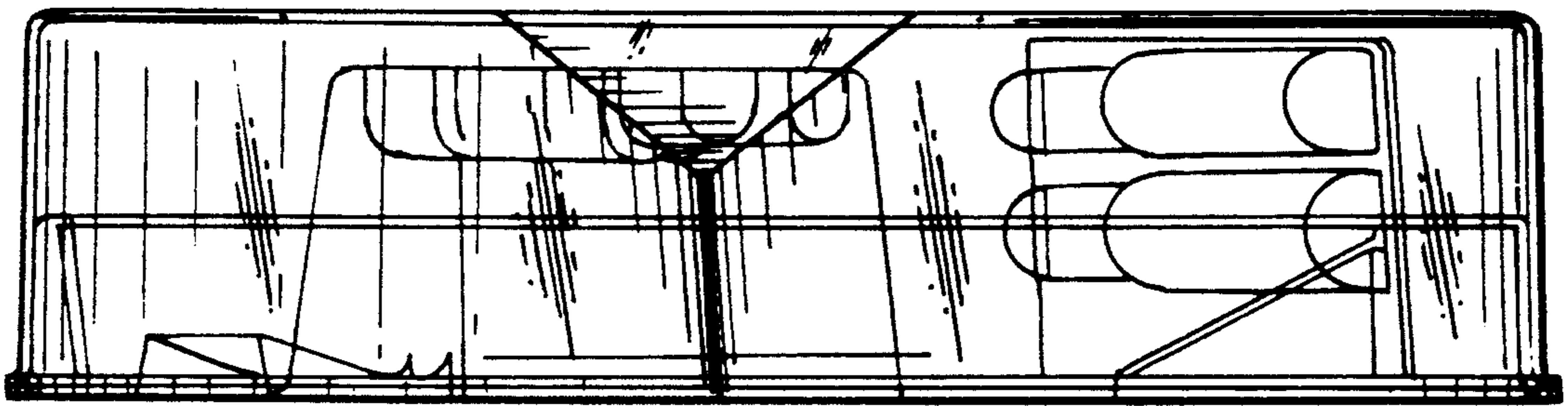


FIG. 4

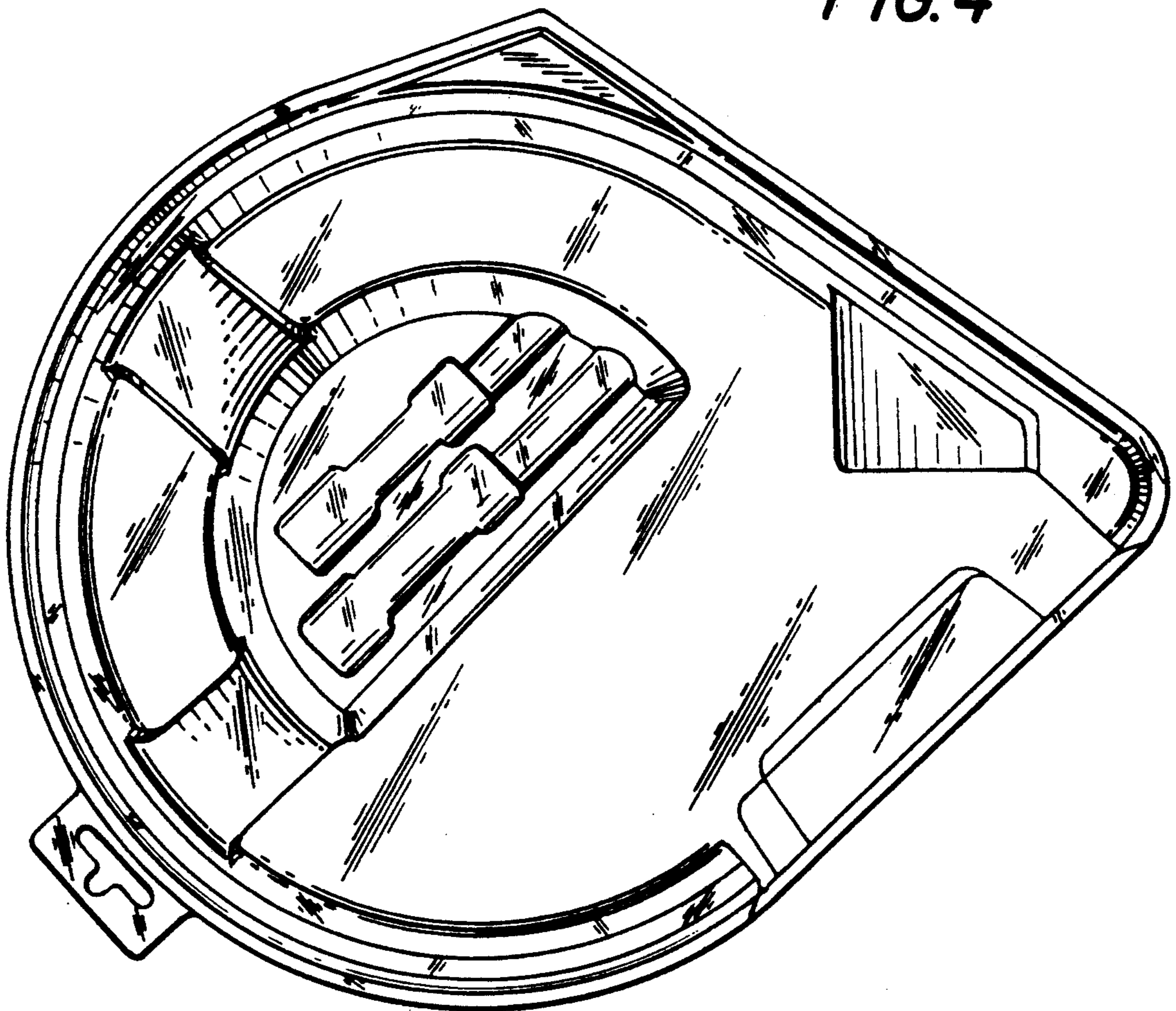


FIG. 5

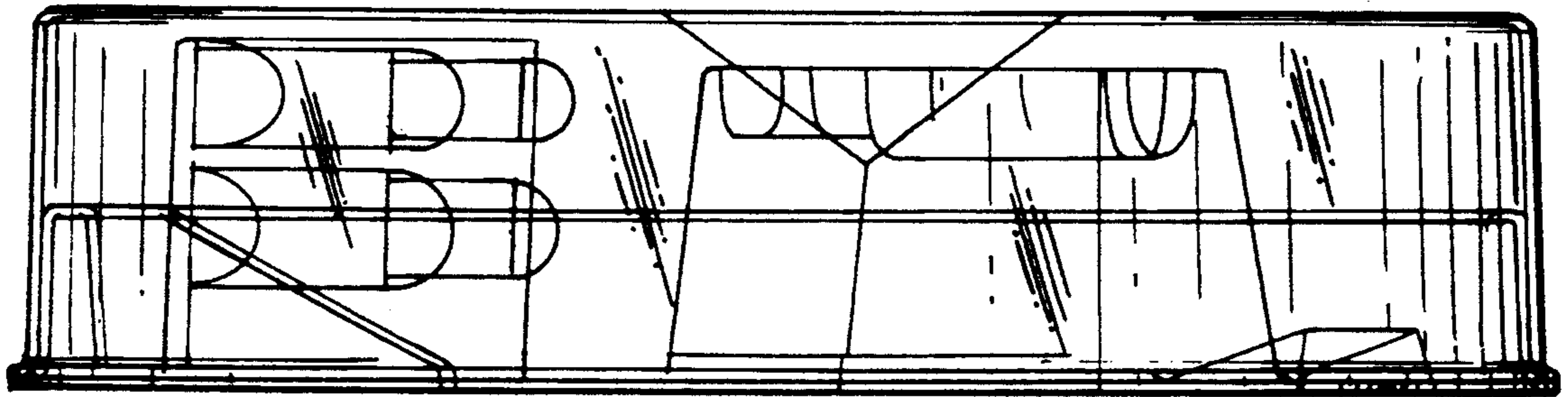


FIG. 6

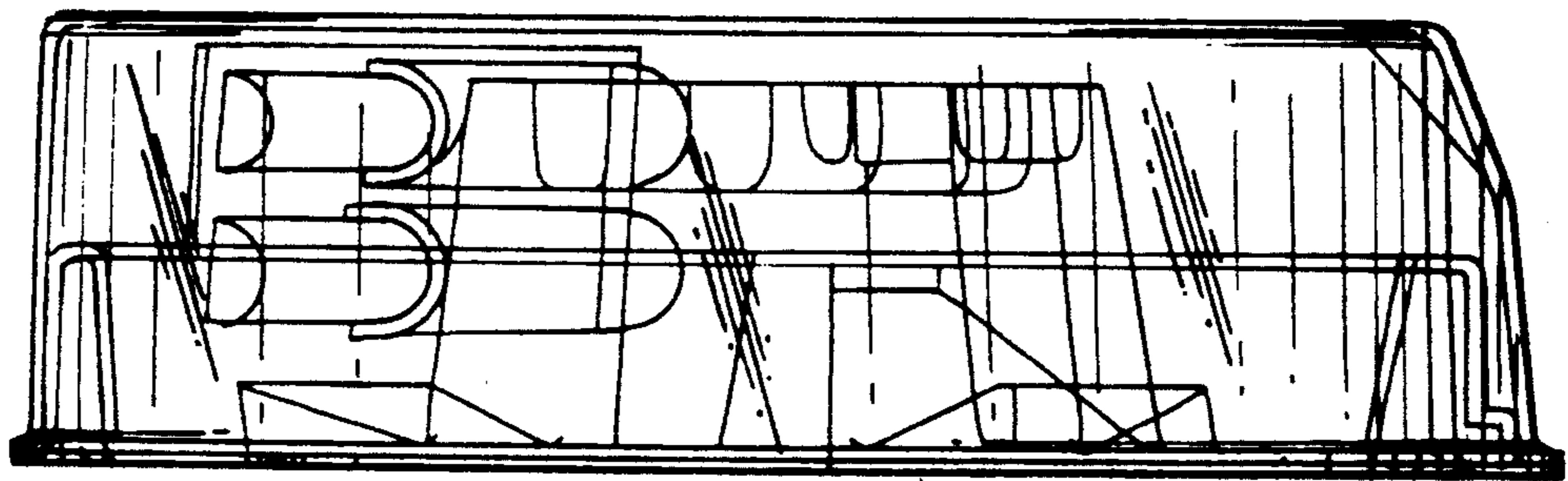


FIG. 7

