



US00D332396S

United States Patent [19] Bell

[11] Patent Number: **Des. 332,396**
[45] Date of Patent: **** Jan. 12, 1993**

[54] **COMBINED CONTAINER AND DISPENSER FOR ANEURYSM CLIPS**

4,475,654 10/1984 Fruchter 206/538
4,583,667 4/1986 Fishman et al. 206/538 X

[75] Inventor: **Richard L. Bell**, Marshfield, Mass.

OTHER PUBLICATIONS

[73] Assignee: **Codman & Shurtleff, Inc.**, Randolph, Mass.

Weinman Bros Catalog 1948, p. 2 top right of the page.
Packaging 1962, p. 158, Item #482 top right of the page.
Packaging 1962, p. 264, Item #907 top left of the page.

[**] Term: **14 Years**

Primary Examiner—Bernard Ansher
Assistant Examiner—Prabhakar Deshmukh

[21] Appl. No.: **428,076**

[57] CLAIM

[22] Filed: **Oct. 27, 1989**

[52] U.S. Cl. **D9/341**; D9/428

The ornamental design for a combined container and dispenser for aneurysm clips, as shown and described.

[58] Field of Search D9/414, 428, 341, 436, D9/454, 337, 349, 355, 390; 206/538, 539, 583, 828, 365, 363, 446, 499; 220/500, 512; D6/515; 211/69

DESCRIPTION

[56] References Cited

U.S. PATENT DOCUMENTS

D. 276,894 12/1984 Whatley D9/436
D. 277,825 3/1985 Whatley D9/436
D. 286,019 10/1986 Fishman et al. D9/341
1,219,176 3/1917 Sharp 220/109
4,432,300 2/1984 Lyss 206/538 X

FIG. 1 is a perspective view of a combined container and dispenser for aneurysm clips showing my new design;
FIG. 2 is a top plan view thereof;
FIG. 3 is a front elevation thereof;
FIG. 4 is a rear elevation thereof;
FIG. 5 is a bottom plan view thereof; and,
FIG. 6 is a left side elevation thereof; the right side elevation being a mirror image thereof.

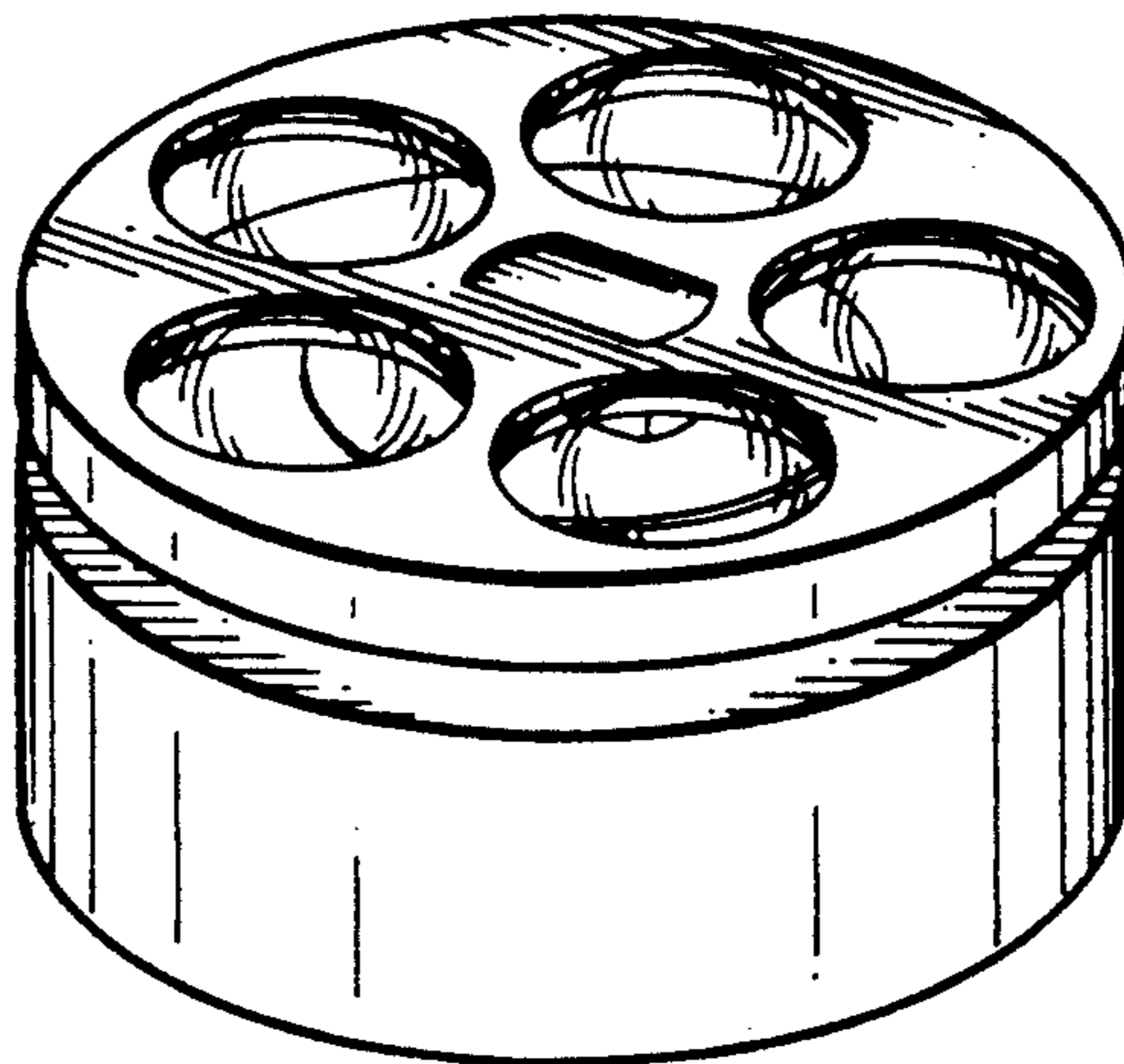


FIG-1

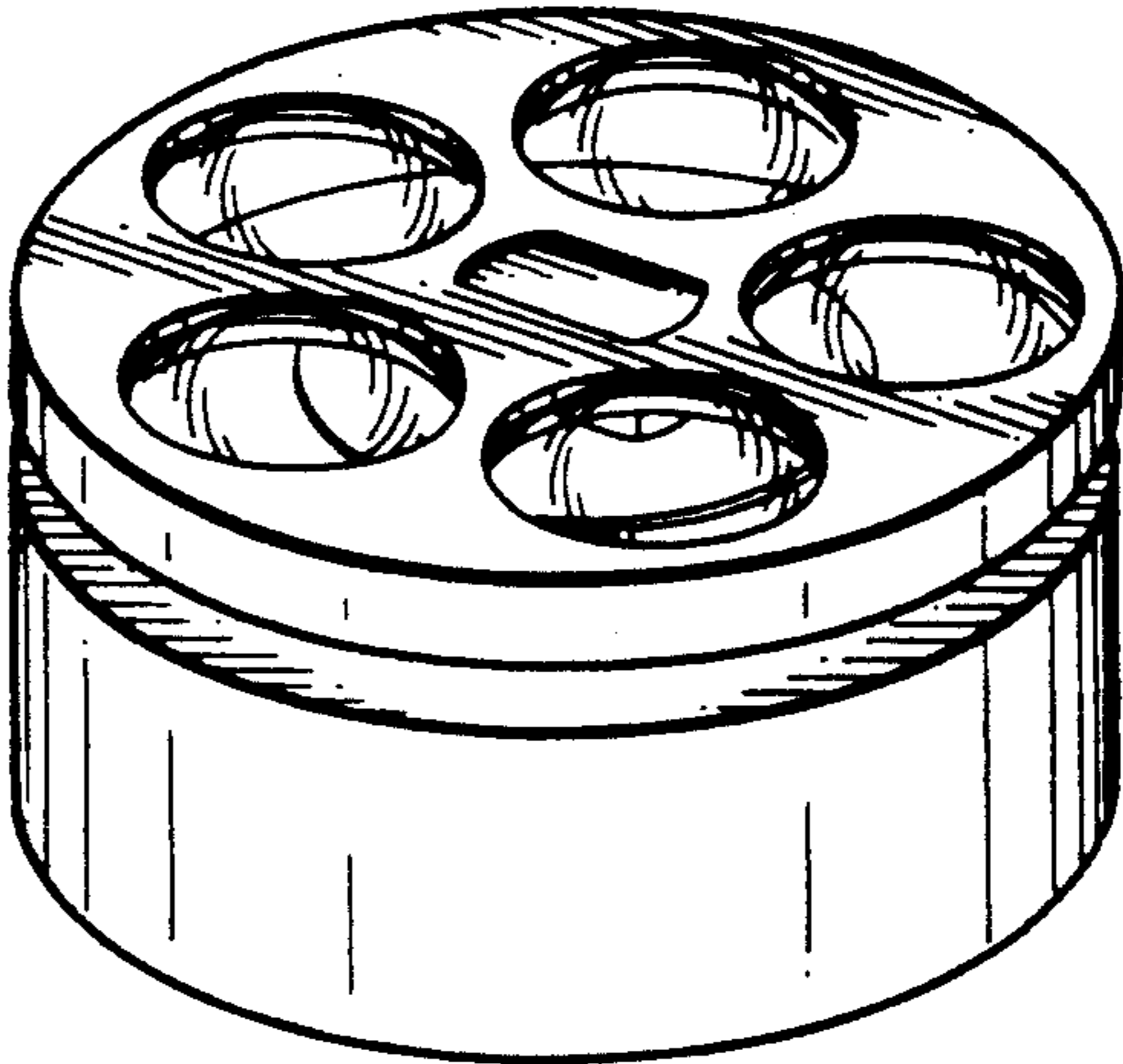


FIG-2

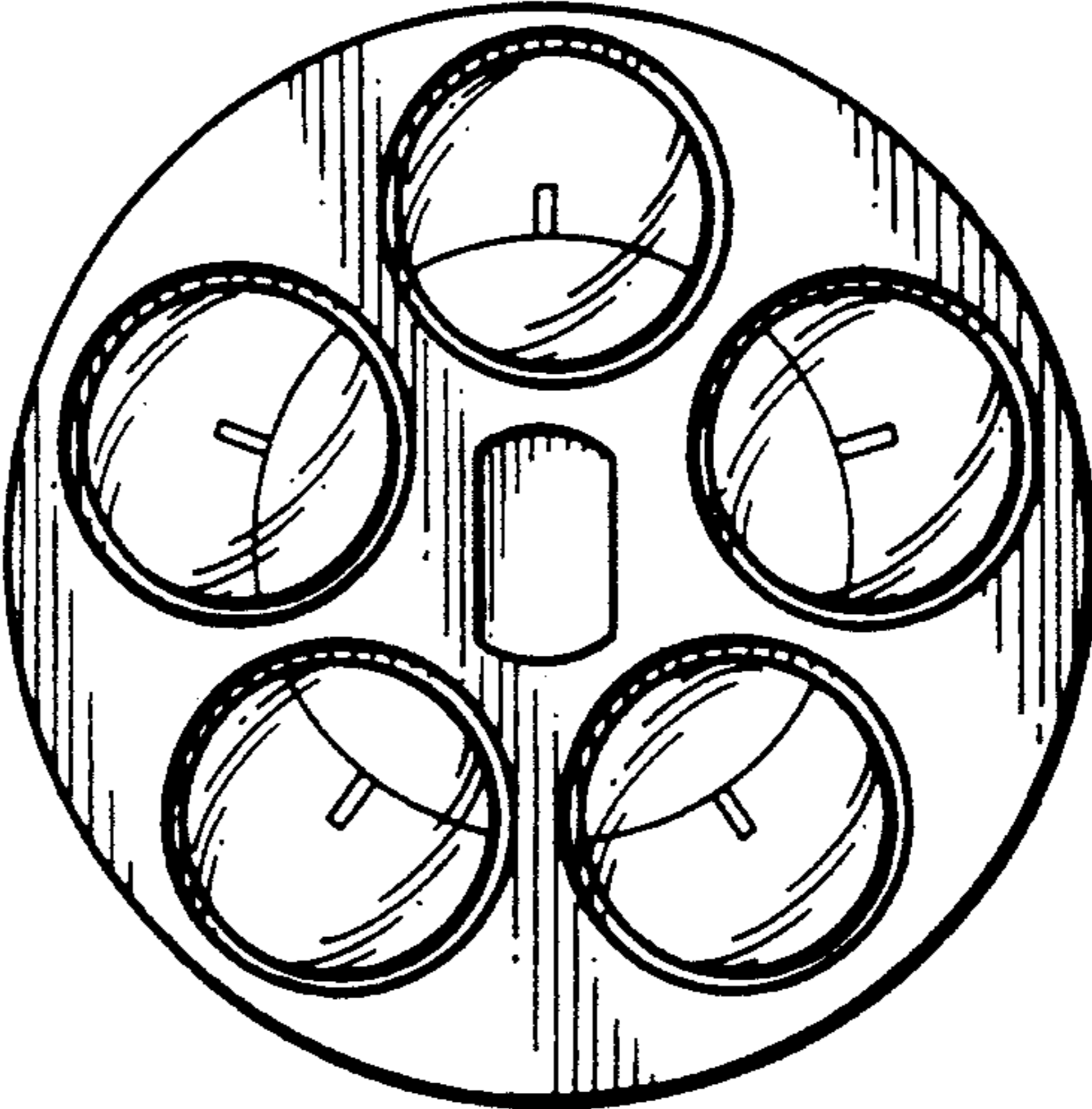


FIG-3

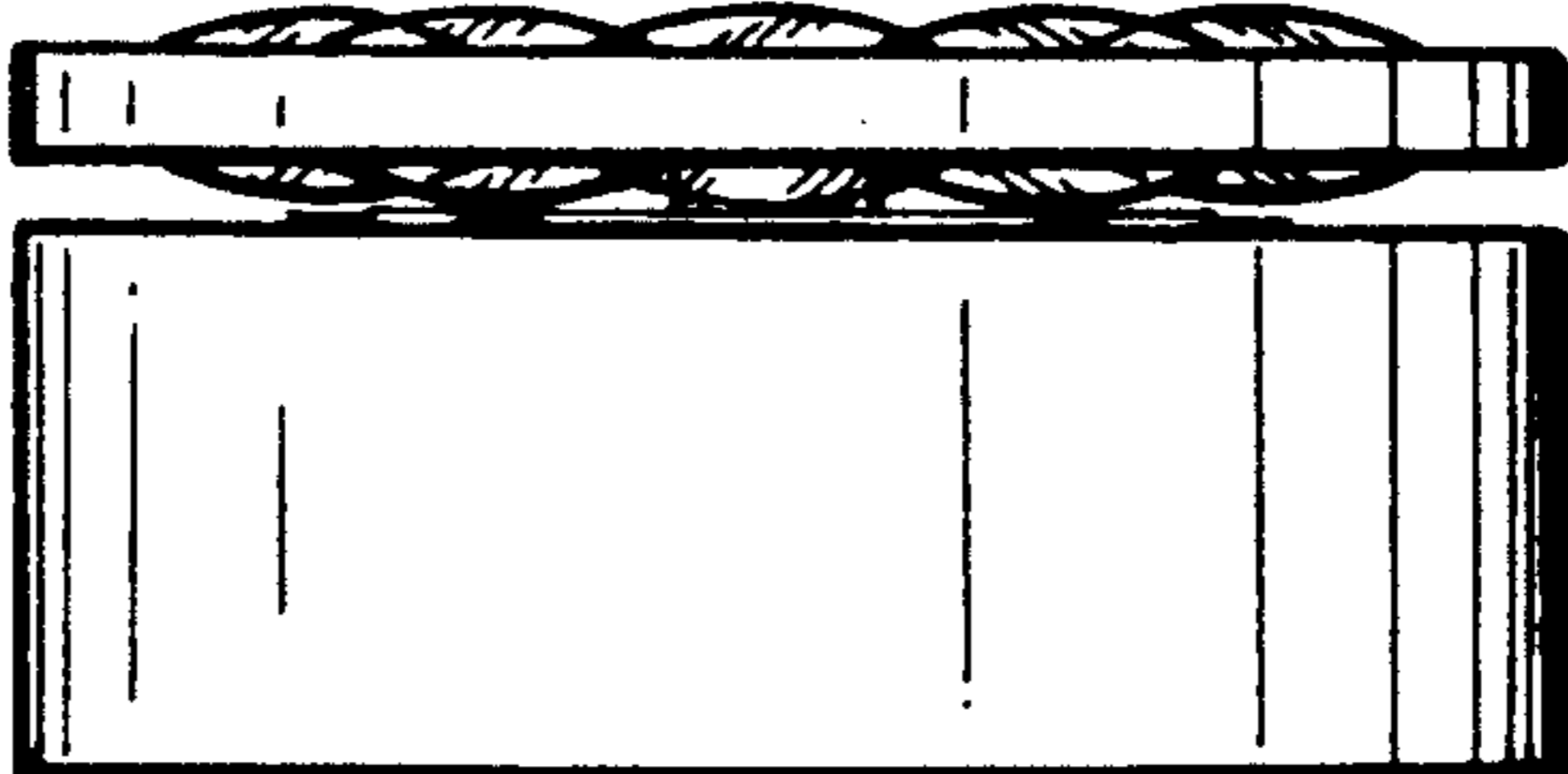


FIG-4

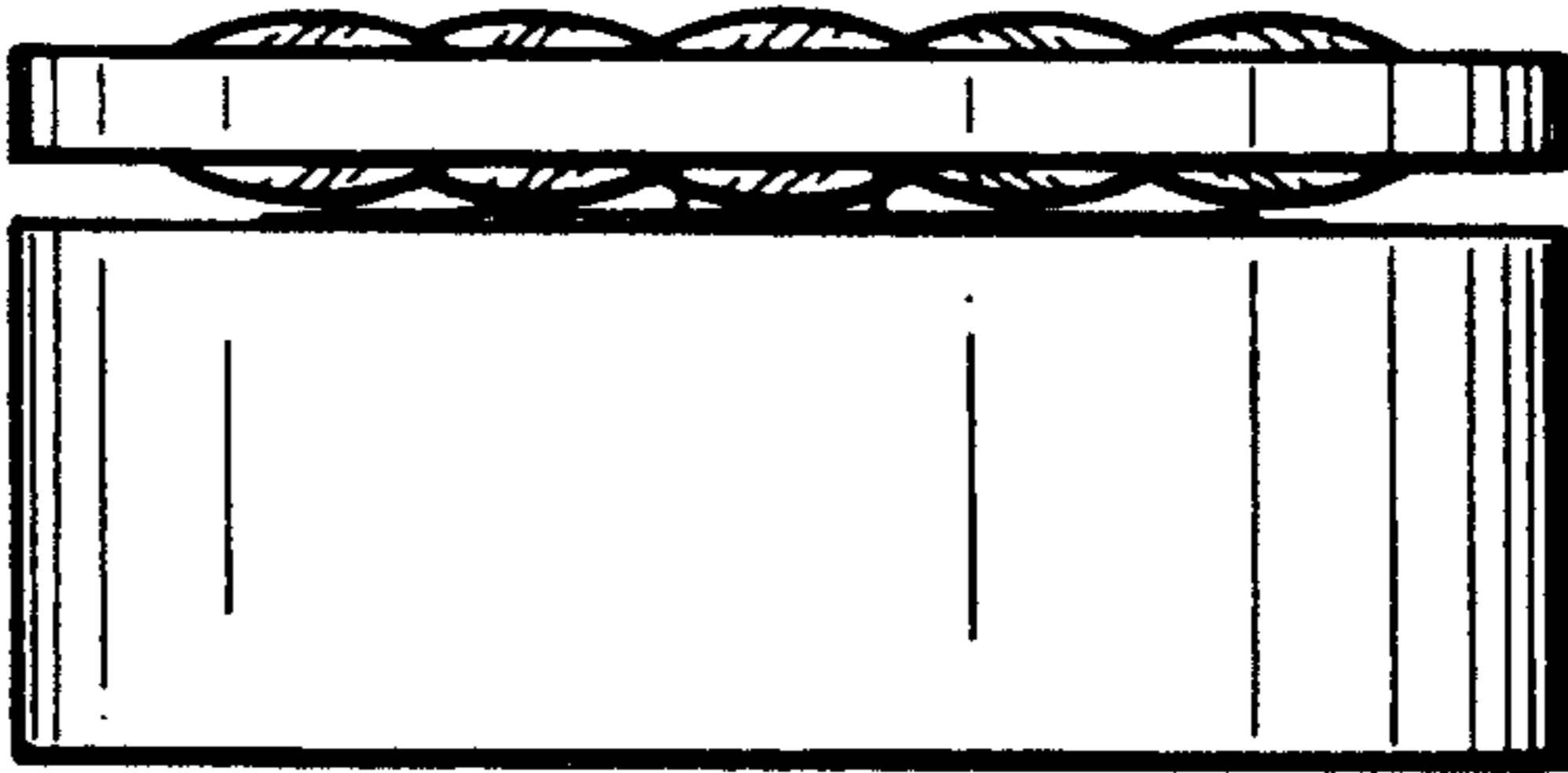


FIG-5

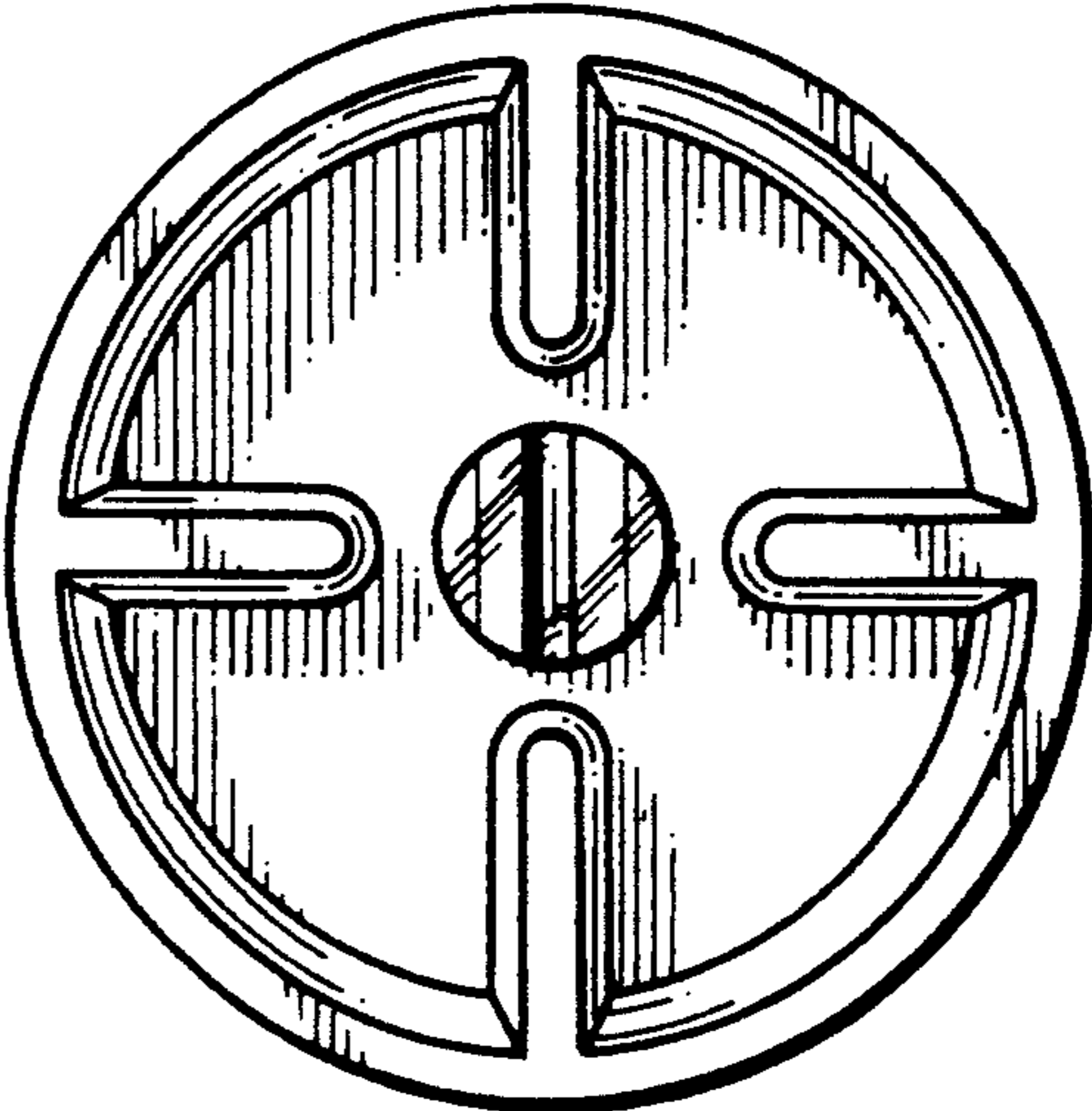


FIG-6

