



US00D332395S

United States Patent [19]

Araujo, Jr., et al.

[11] Patent Number: Des. 332,395

[45] Date of Patent: ** Jan. 12, 1993

[54] COMBINED PACKAGING CLIP AND BOTTLE PACKAGE

[75] Inventors: Antonino Araujo, Jr., Upper Arlington; Raymond W. Hazlett, Sugar Grove; Thomas D. Loughrin, Columbus; James C. Lierman, Dublin; Paul A. Pezzoli, Worthington, all of Ohio

[73] Assignee: Abbott Laboratories, Abbott Park, Ill.

[**] Term: 14 Years

[21] Appl. No.: 626,874

[22] Filed: Dec. 13, 1990

[52] U.S. Cl. D9/337

[58] Field of Search D9/305, 337, 341, 344, D9/500, 501, 503, 504, 517, 547, 548, 549, 453; 206/139, 145, 146, 427; 215/1 R, 1 C; D24/109, 224, 226

[56] References Cited

U.S. PATENT DOCUMENTS

D. 202,003	8/1965	Douglas	D9/503
D. 210,168	2/1968	Plochman	D9/453
D. 251,612	4/1979	Lagergren et al.	D9/547 X
D. 254,955	5/1980	Hartung et al.	D9/406
D. 256,775	9/1980	Voitl	D9/399
D. 260,482	9/1981	Agee	D9/503
D. 287,338	12/1986	Biesecker	D9/500
D. 300,511	4/1989	Cramer	D9/396
3,011,676	12/1961	Fulmer	D9/503 X
3,028,189	4/1962	Gialanella	206/145 X
3,645,262	2/1972	Harrigan	128/222
4,923,088	5/1990	Tanaka et al.	215/1 R X

OTHER PUBLICATIONS

Modern Plastics, Aug. 1984, p. 48, spice jars in photograph.

U.S. patent appln. Ser. No. 07/626,869, filed Dec. 13, 1990, P. A. Pezzoli, et al., for "Bottle and Cap".

U.S. patent appln. Ser. No. 07/626,872, filed Dec. 13, 1990, A. Araujo, Jr., et al., for "Packaging Clip".

U.S. patent appln. Ser. No. 07/626,875, filed Dec. 13, 1990, P. A. Pezzoli, et al., for "Bottle".

U.S. patent appln. Ser. No. 07/627,152, filed Dec. 13, 1990, P. A. Pezzoli, et al., for "Packaging Device and Packaging Assembly".

Primary Examiner—Bernard Ansher

Assistant Examiner—Mitchell Siegel

Attorney, Agent, or Firm—Lonnie R. Drayer; Donald O. Nickey

[57] CLAIM

The ornamental design a combined packaging clip and bottle package, as shown and described.

DESCRIPTION

FIG. 1 is a perspective view of a combined packaging clip and bottle package showing our new design; FIG. 2 is a front elevation view thereof, the back being the same;

FIG. 3 is a top plan view thereof; and

FIG. 4 is a side elevation view thereof, the other side being the same;

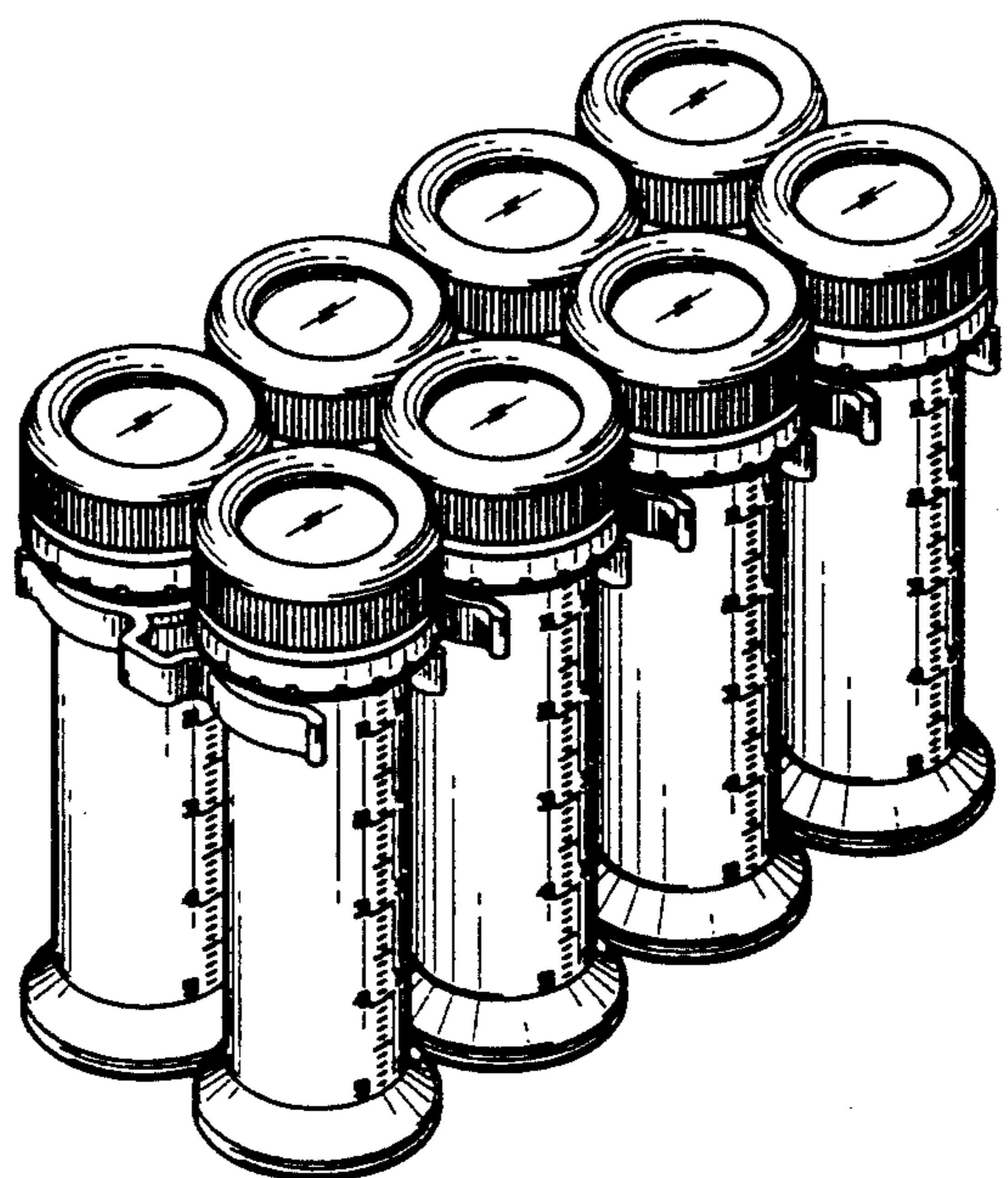
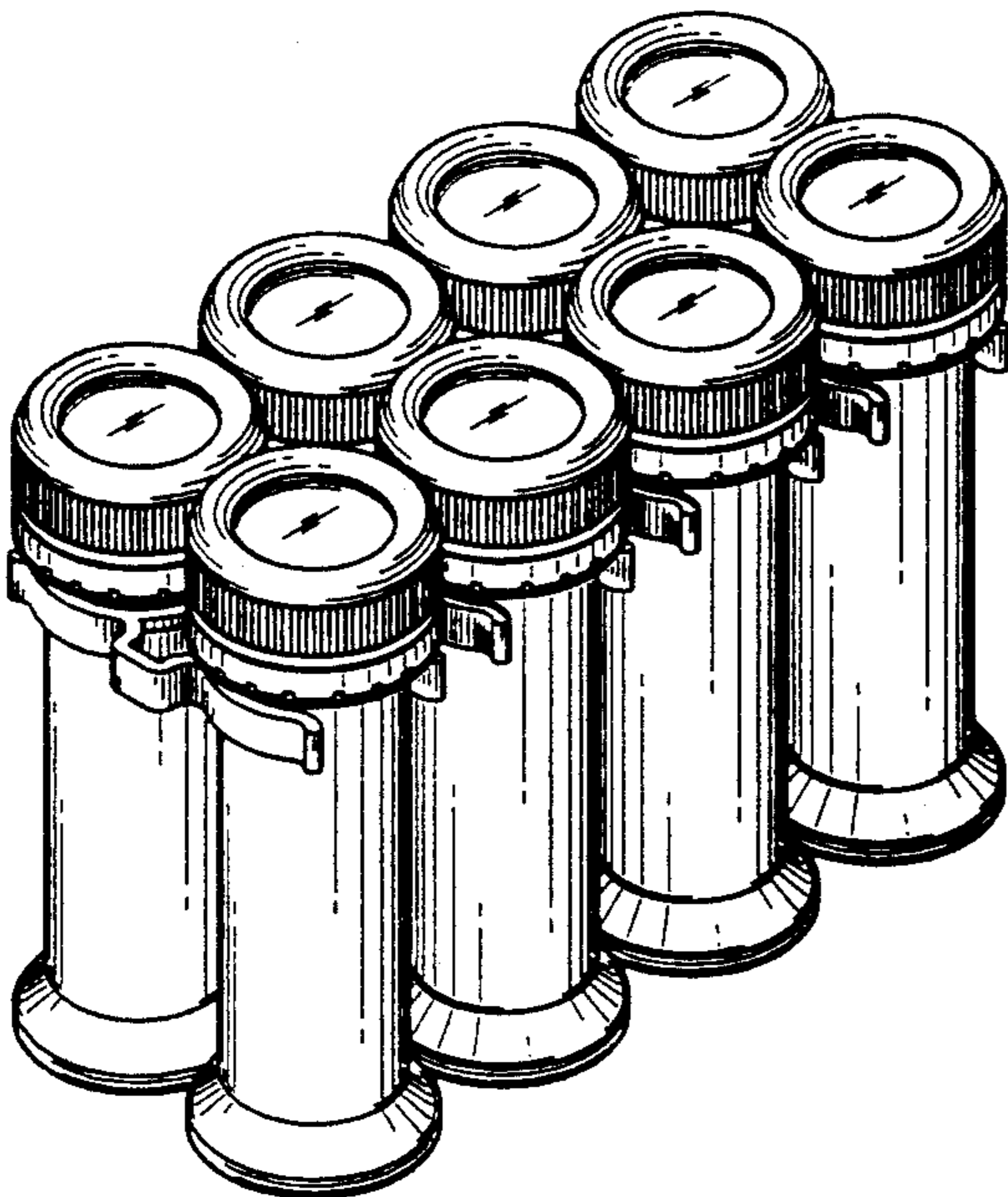
FIG. 5 is a perspective view of a combined packaging clip and bottle package showing a second embodiment of our new design;

FIG. 6 is a front elevation view thereof;

FIG. 7 is a top plan view thereof;

FIG. 8 is a side elevation view thereof, the other side being the same; and,

FIG. 9 is a rear elevation view thereof.



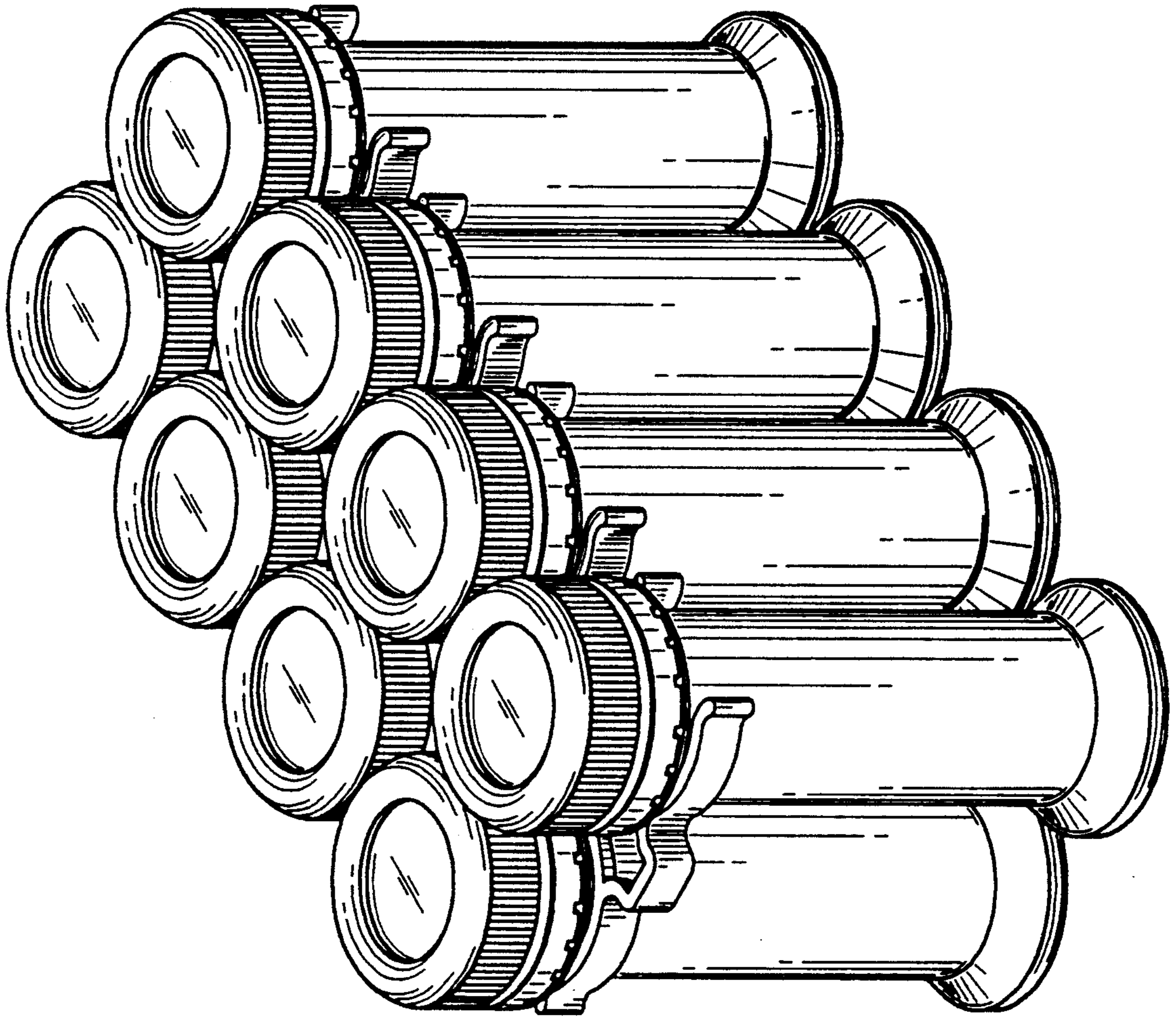


FIG-1

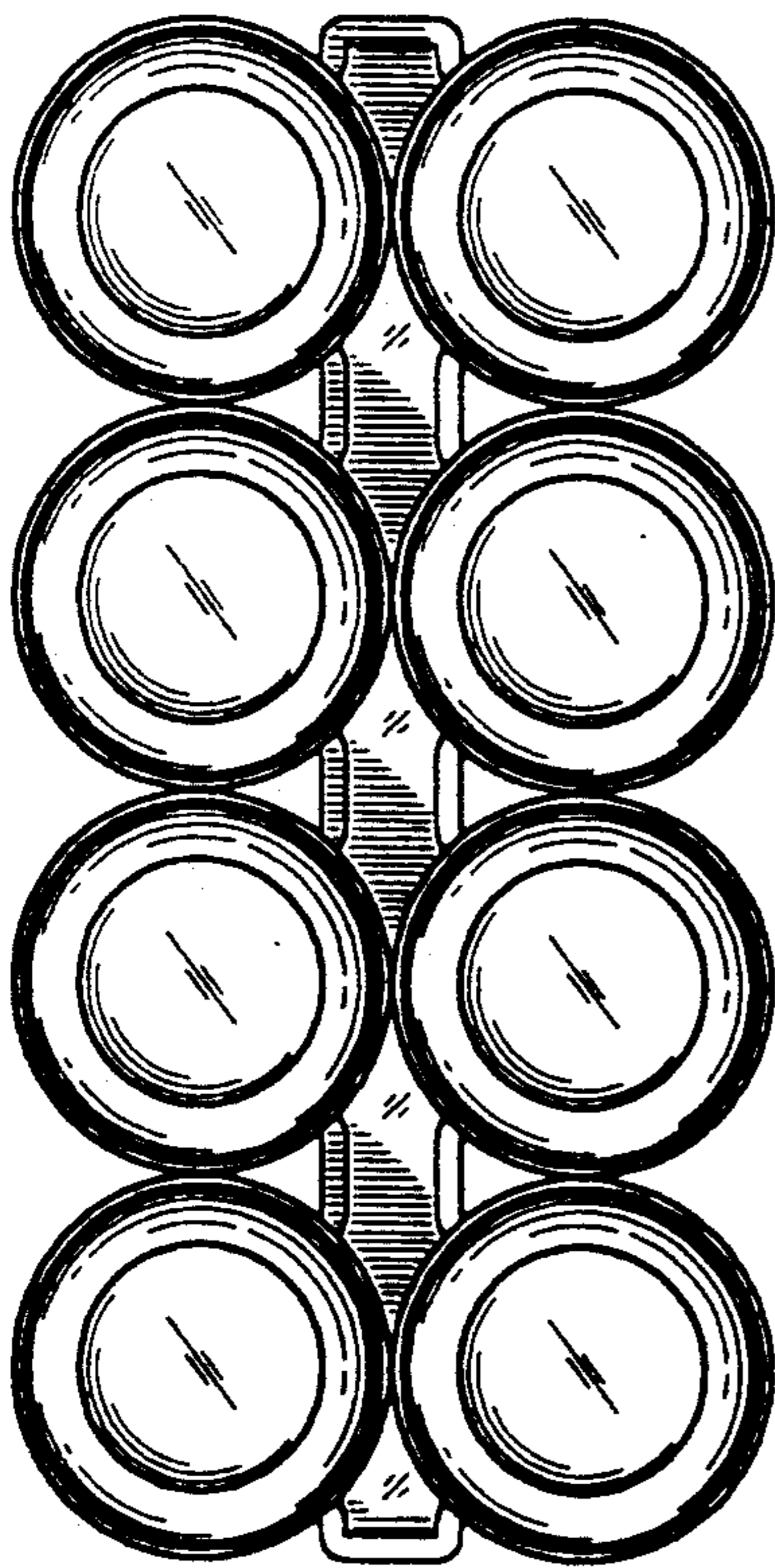


FIG-3

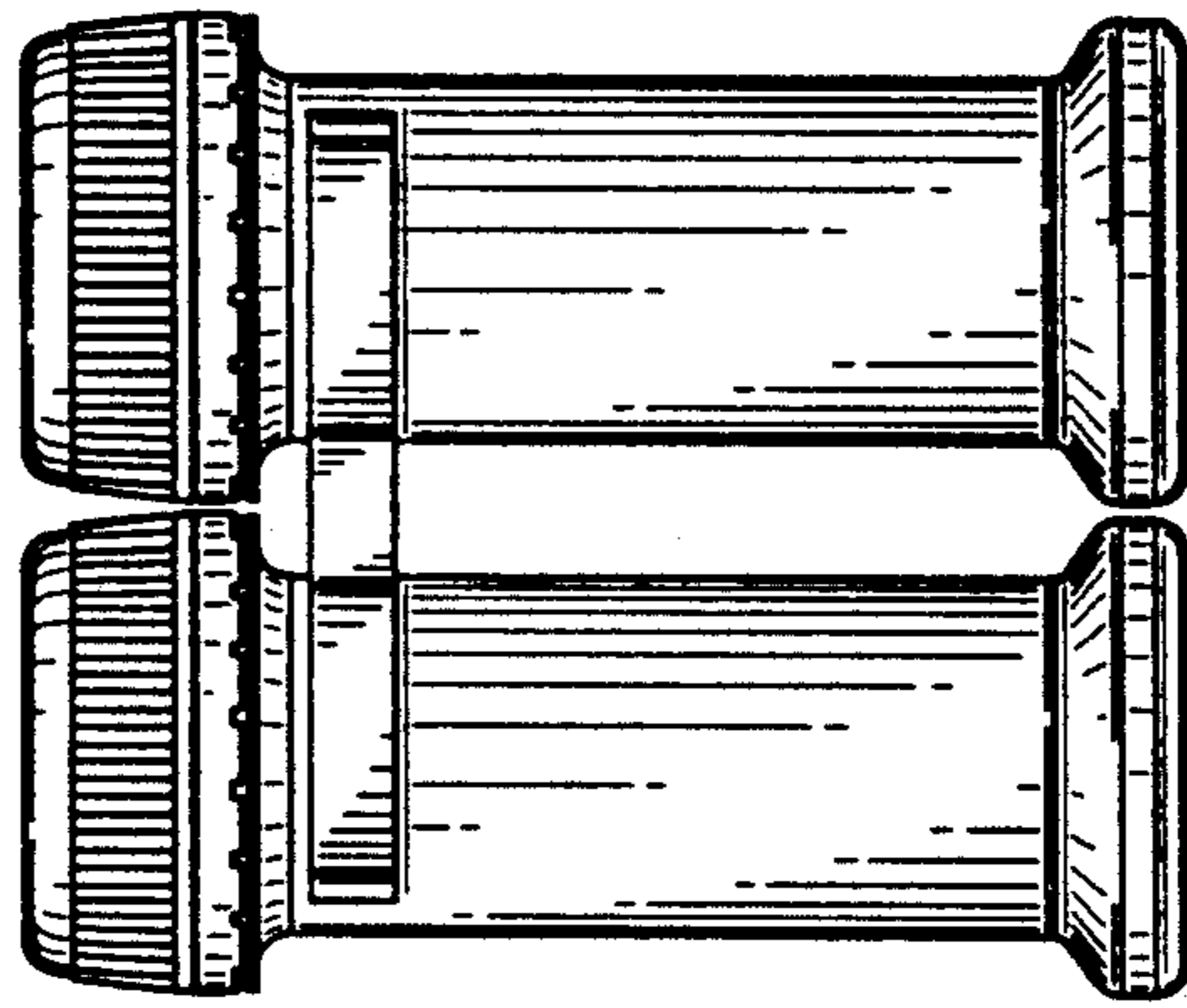


FIG-4

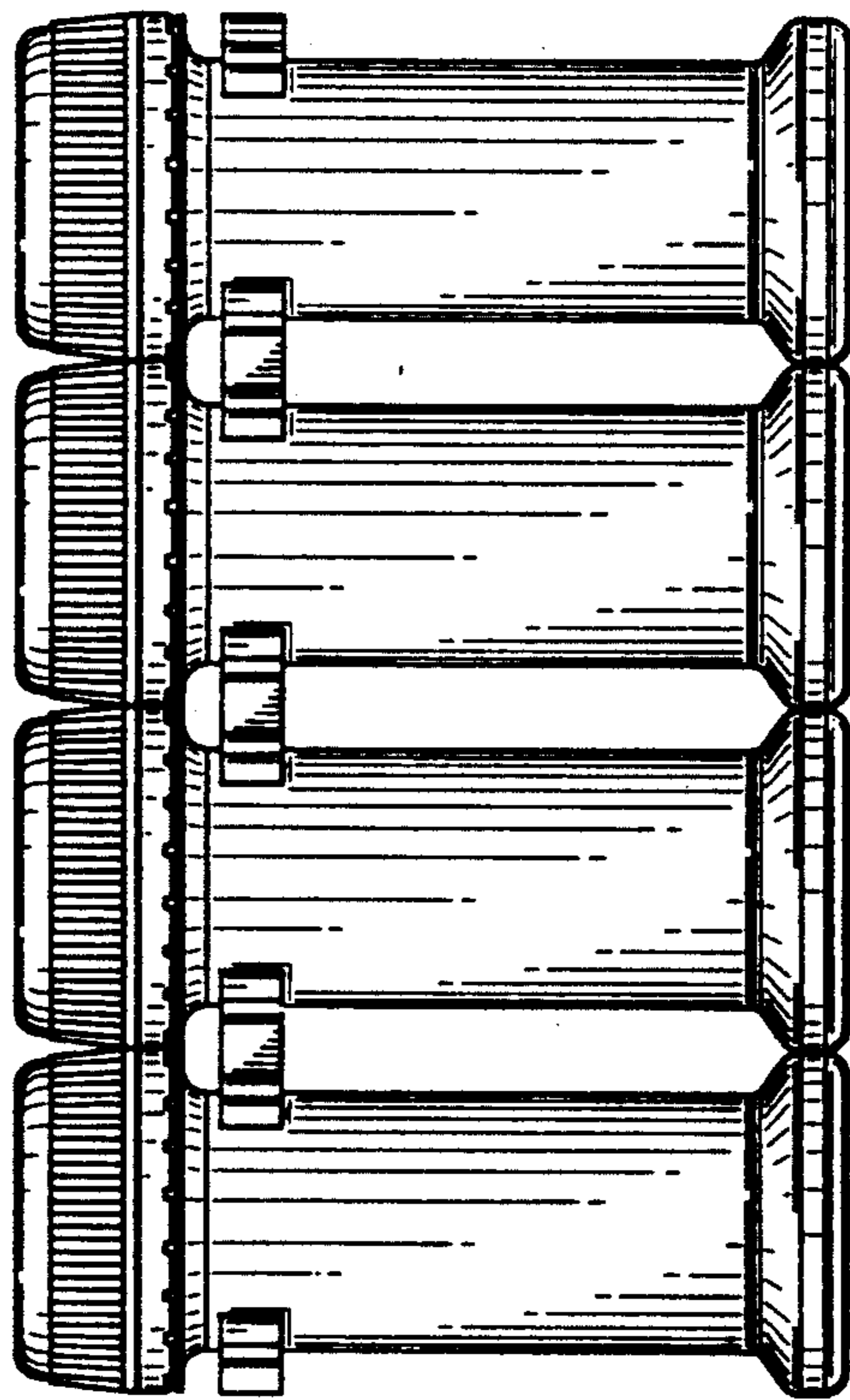


FIG-2

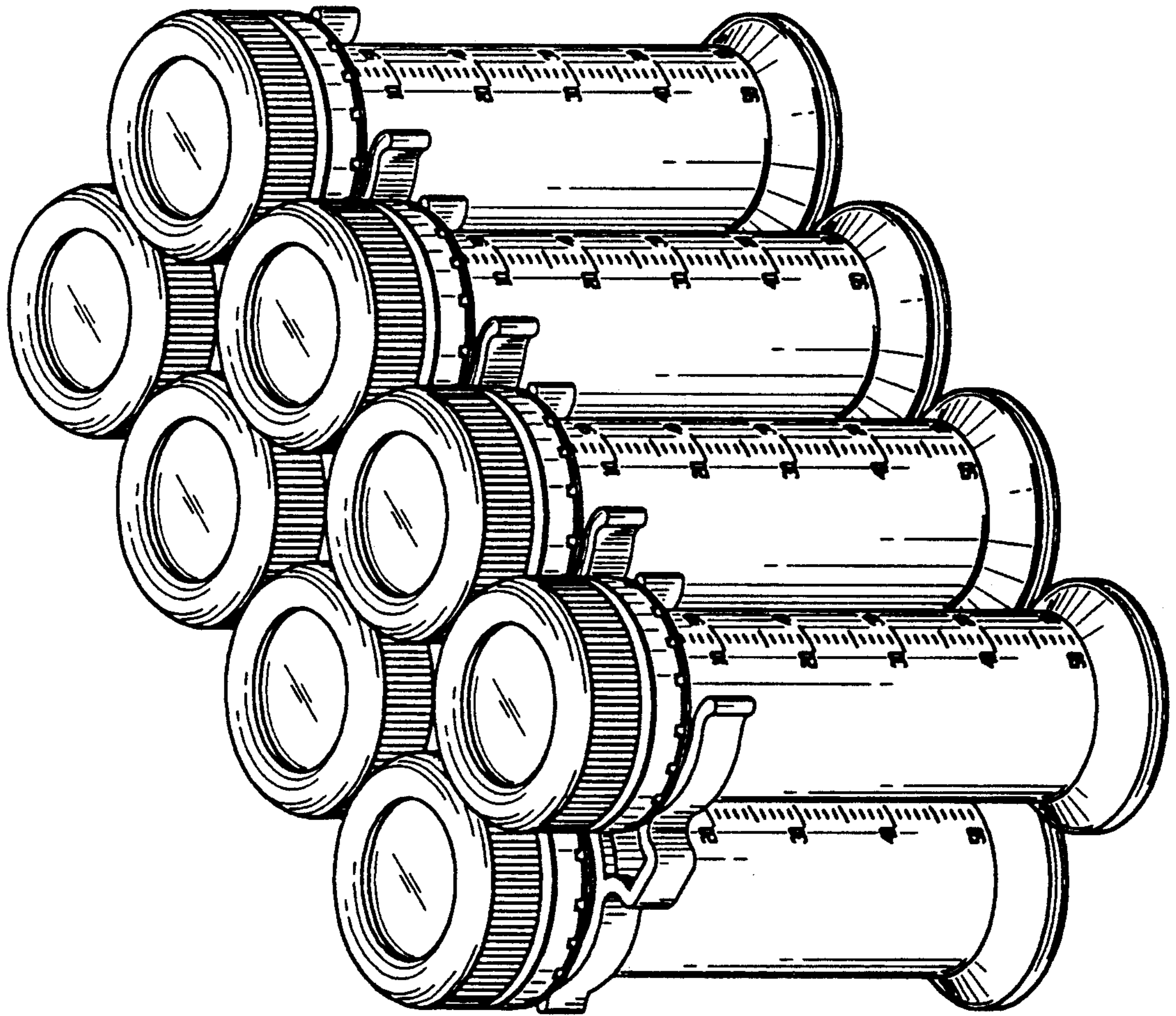


FIG-5

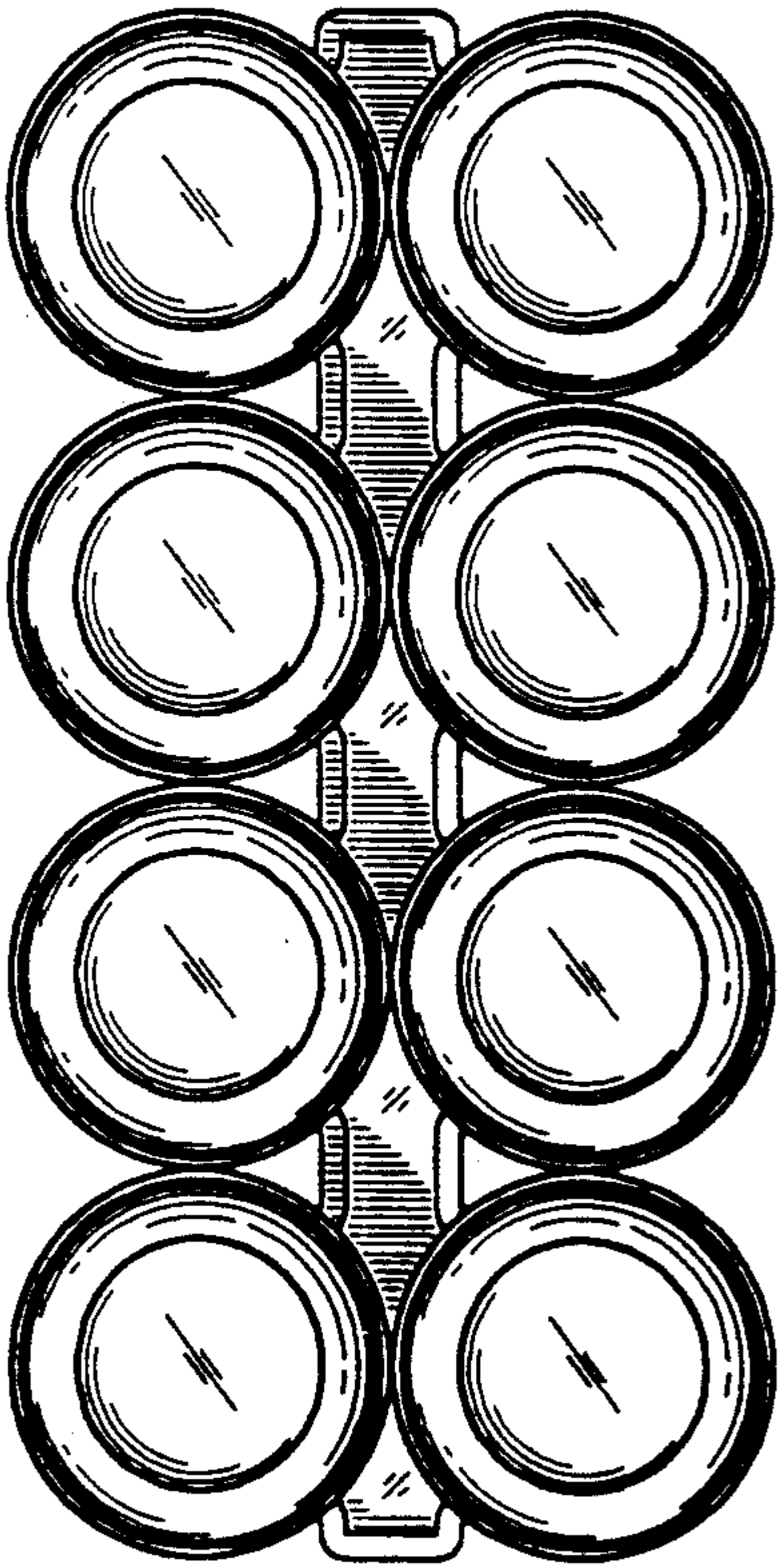


FIG-7

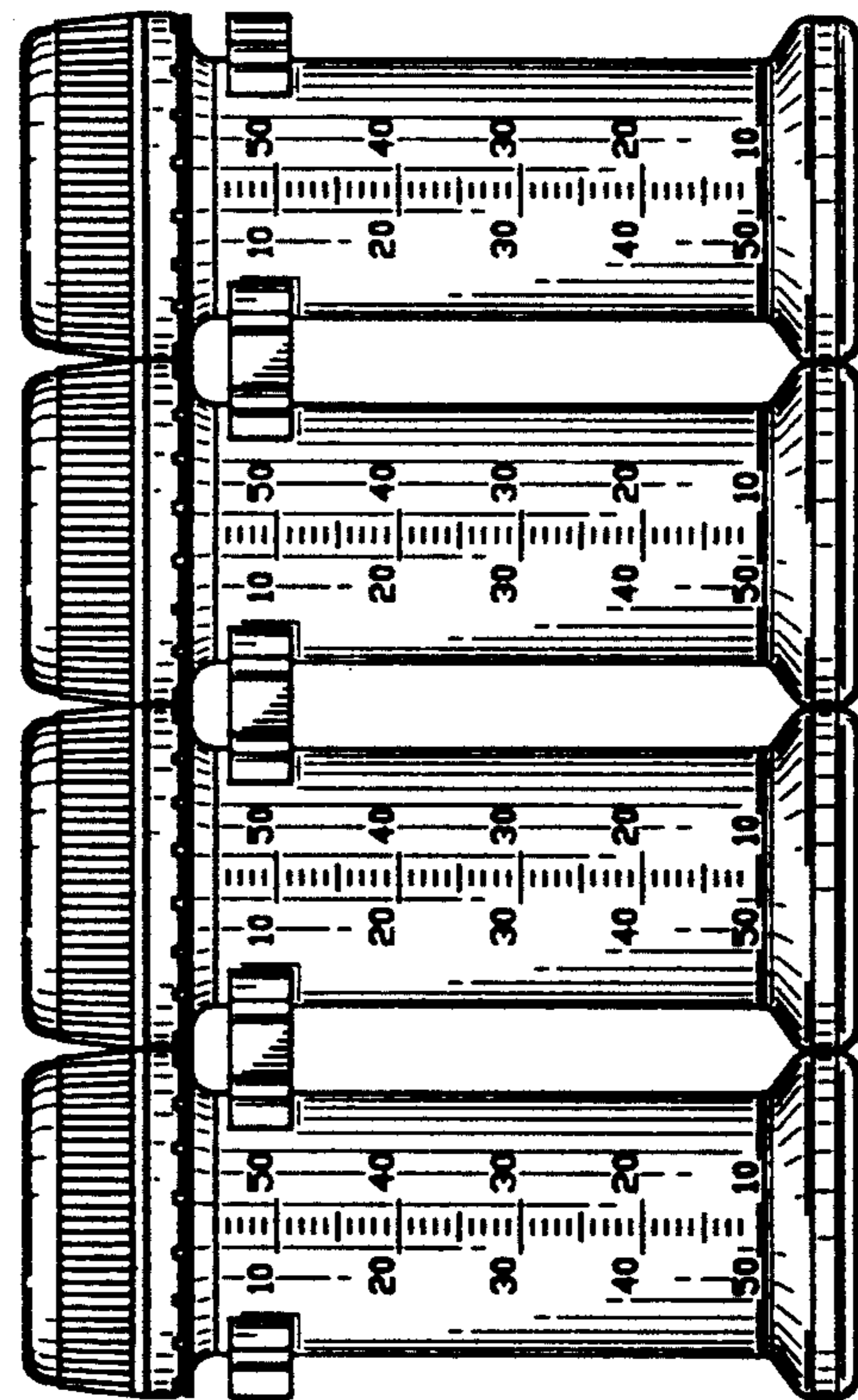


FIG-6

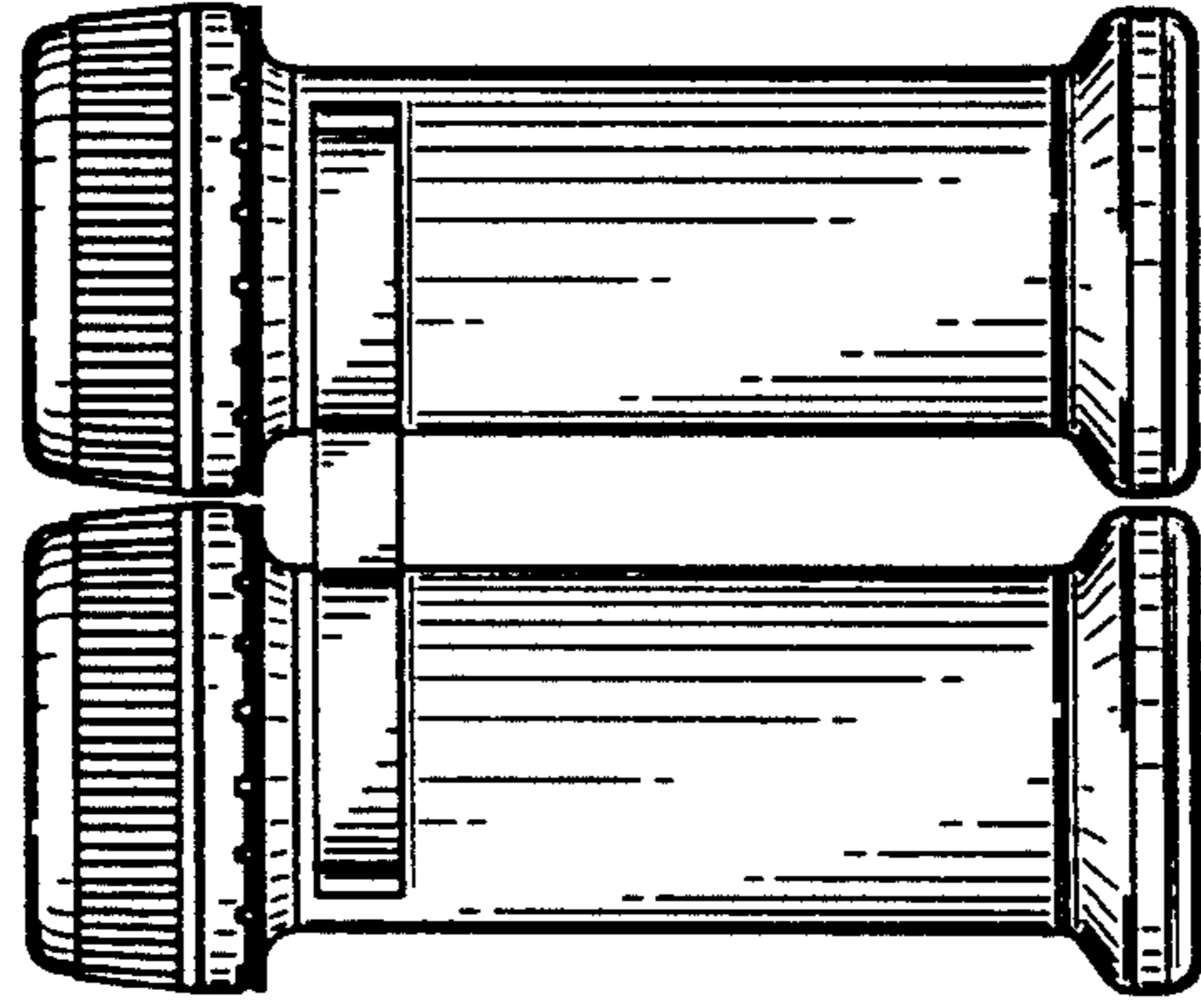


FIG-8

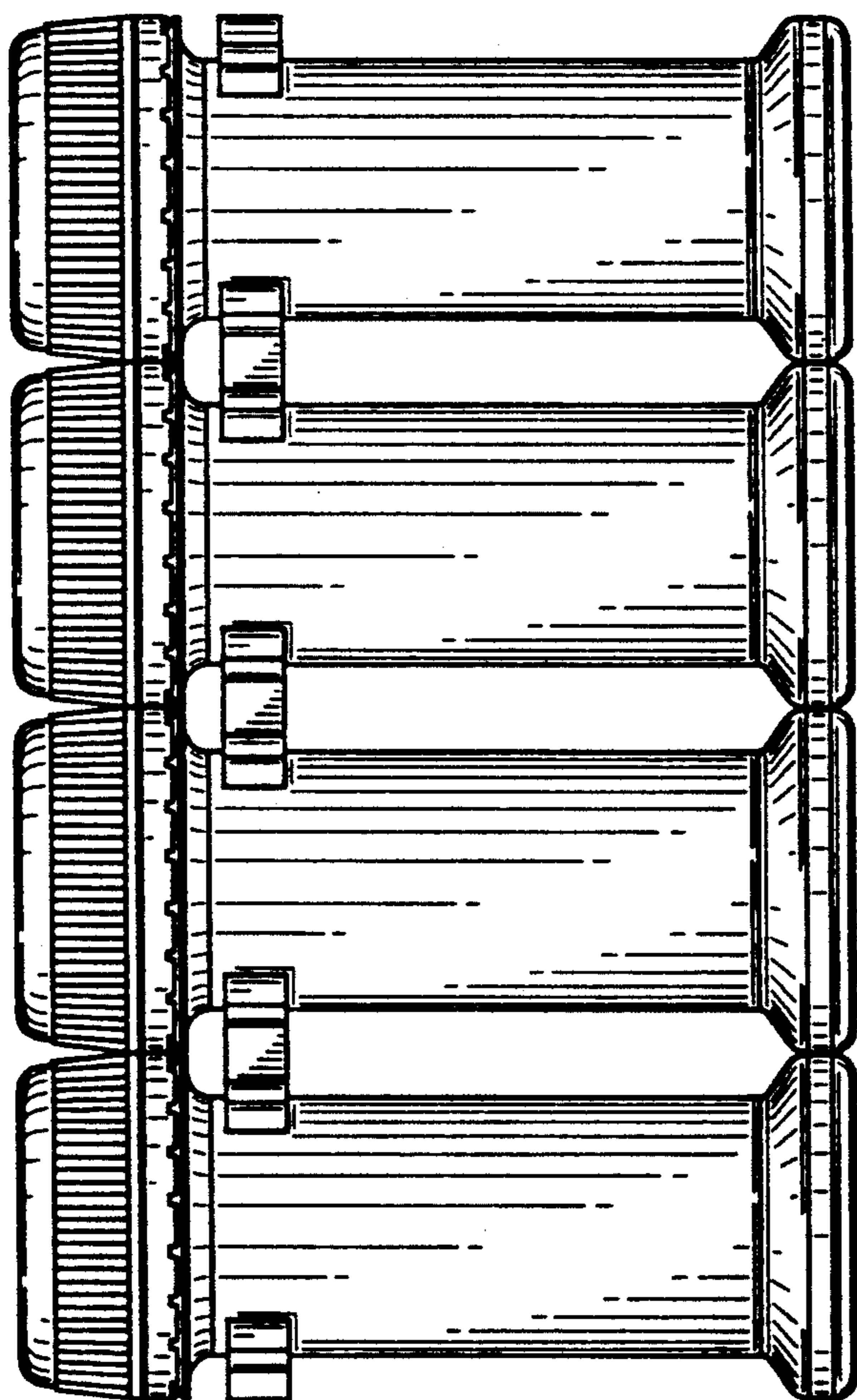


FIG-9