



US00D332393S

United States Patent [19]

[11] Patent Number: **Des. 332,393**

Boone et al.

[45] Date of Patent: **** Jan. 12, 1993**

- [54] **COOKIE TRAY**
- [75] Inventors: **Larry L. Boone, Ruther Glen; Larry D. Gray, Chesterfield, both of Va.**
- [73] Assignee: **Westvaco Corporation, New York, N.Y.**
- [**] Term: **14 Years**
- [21] Appl. No.: **781,278**
- [22] Filed: **Oct. 23, 1991**
- [52] U.S. Cl. **D9/346**
- [58] Field of Search **D9/346, 341, 337, 433, D9/456; 206/830; 229/904.1, 125.08, 125.11, 125.09, 125.27, 125.33, 120.16, 120.17, 114; 220/4.22, 4.23, 4.26; D1/128**

3,876,132	4/1975	Kuchenbecker	229/120.17
4,848,648	7/1989	Eisman	229/114
4,905,889	3/1990	Schuster	229/120.17
5,009,363	4/1991	Zavatone	229/120.16 X

Primary Examiner—Bernard Ansher
Assistant Examiner—Prabhakar Deshmukh

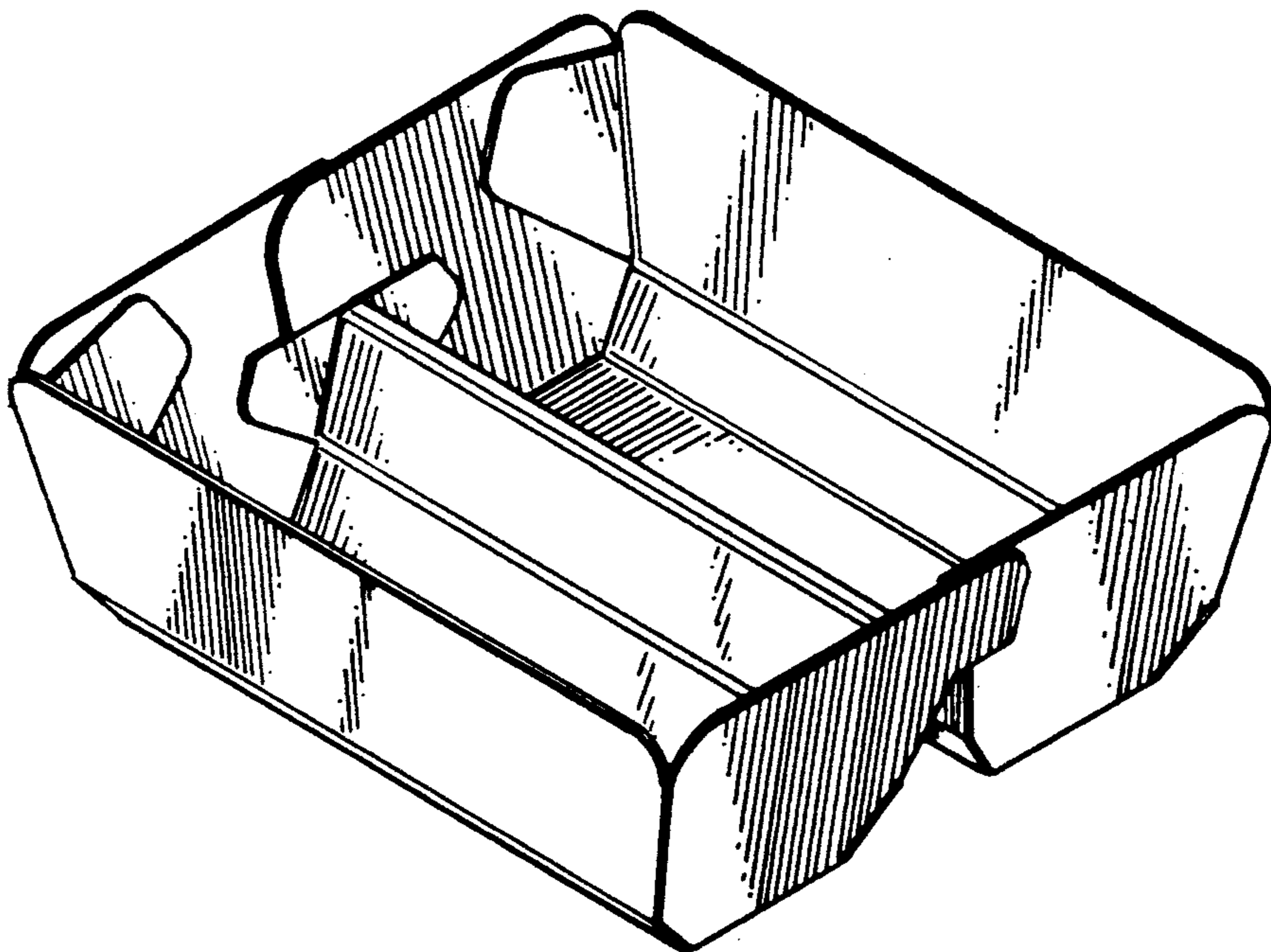
[57] CLAIM

The ornamental design for a cookie tray, as shown and described.

DESCRIPTION

FIG. 1 is a perspective view of a cookie tray showing our new design;
 FIG. 2 is a top plan view thereof;
 FIG. 3 is a right side elevational view thereof; the left side elevational view being a mirror image thereof;
 FIG. 4 is a front elevational view thereof; the rear elevational view being a mirror image thereof; and,
 FIG. 5 is a sectional elevational view thereof; taken along line 5—5 of FIG. 4.
 The bottom is plain and unornamented.
 The solid lines represent fold lines and the tabs represent glue flaps.

- [56] **References Cited**
- U.S. PATENT DOCUMENTS**
- D. 254,219 2/1980 Papciak D9/347 X
- D. 314,279 2/1991 Hotchkiss D34/40 X
- 1,170,776 2/1916 Nagle 229/120.16 X
- 2,214,525 9/1940 Murguiondo 229/120.17 X



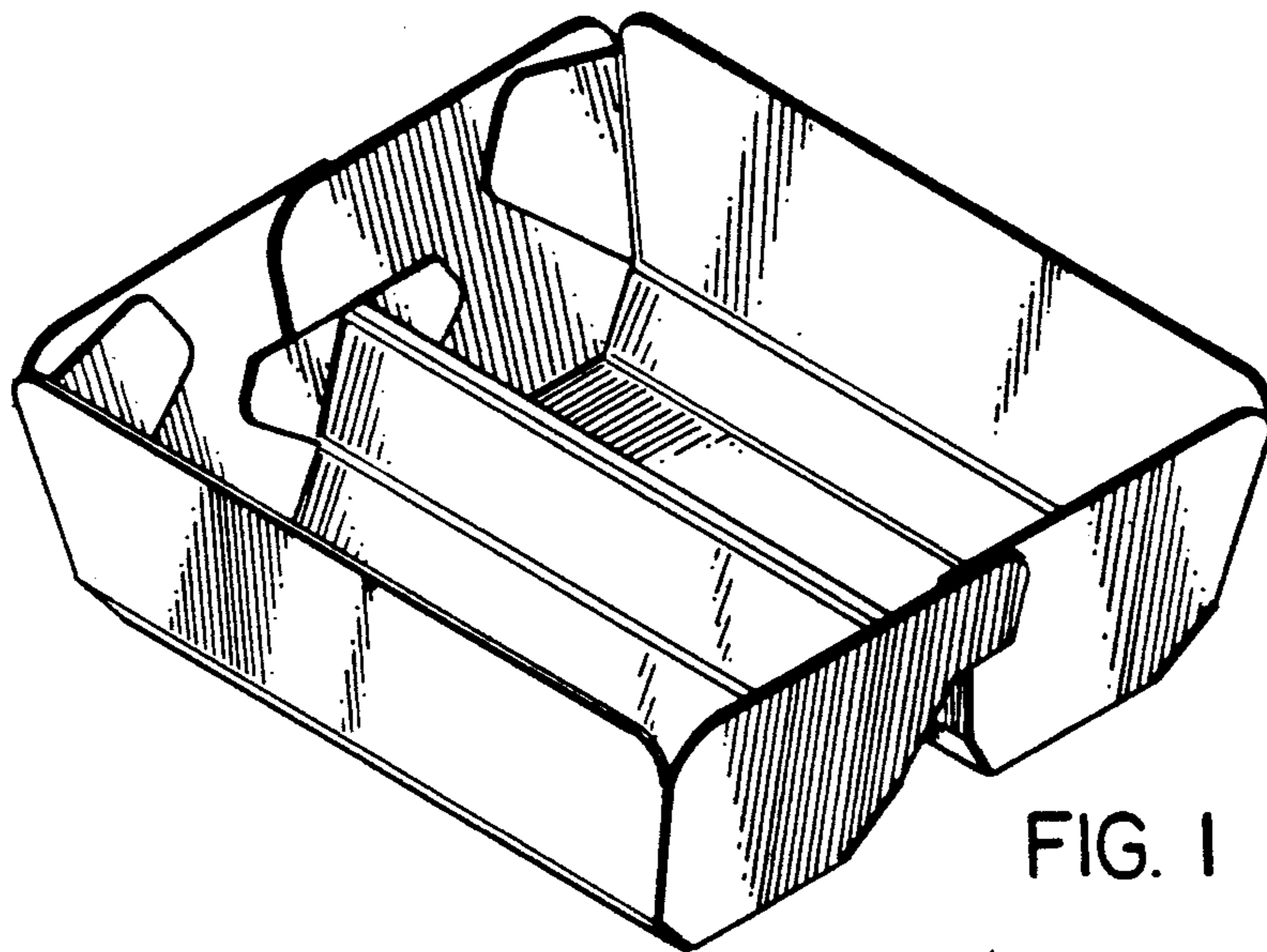


FIG. 1

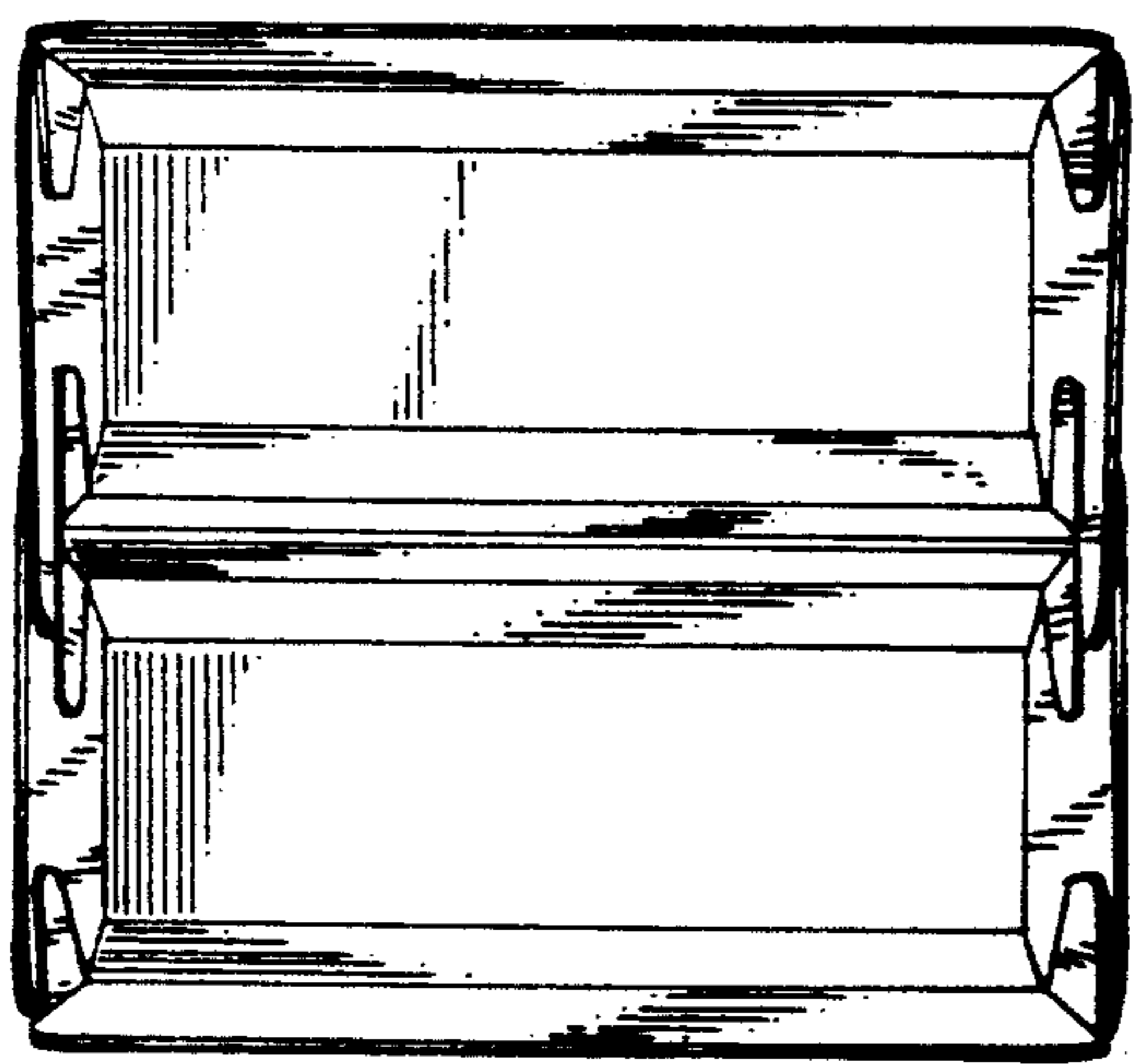


FIG. 2

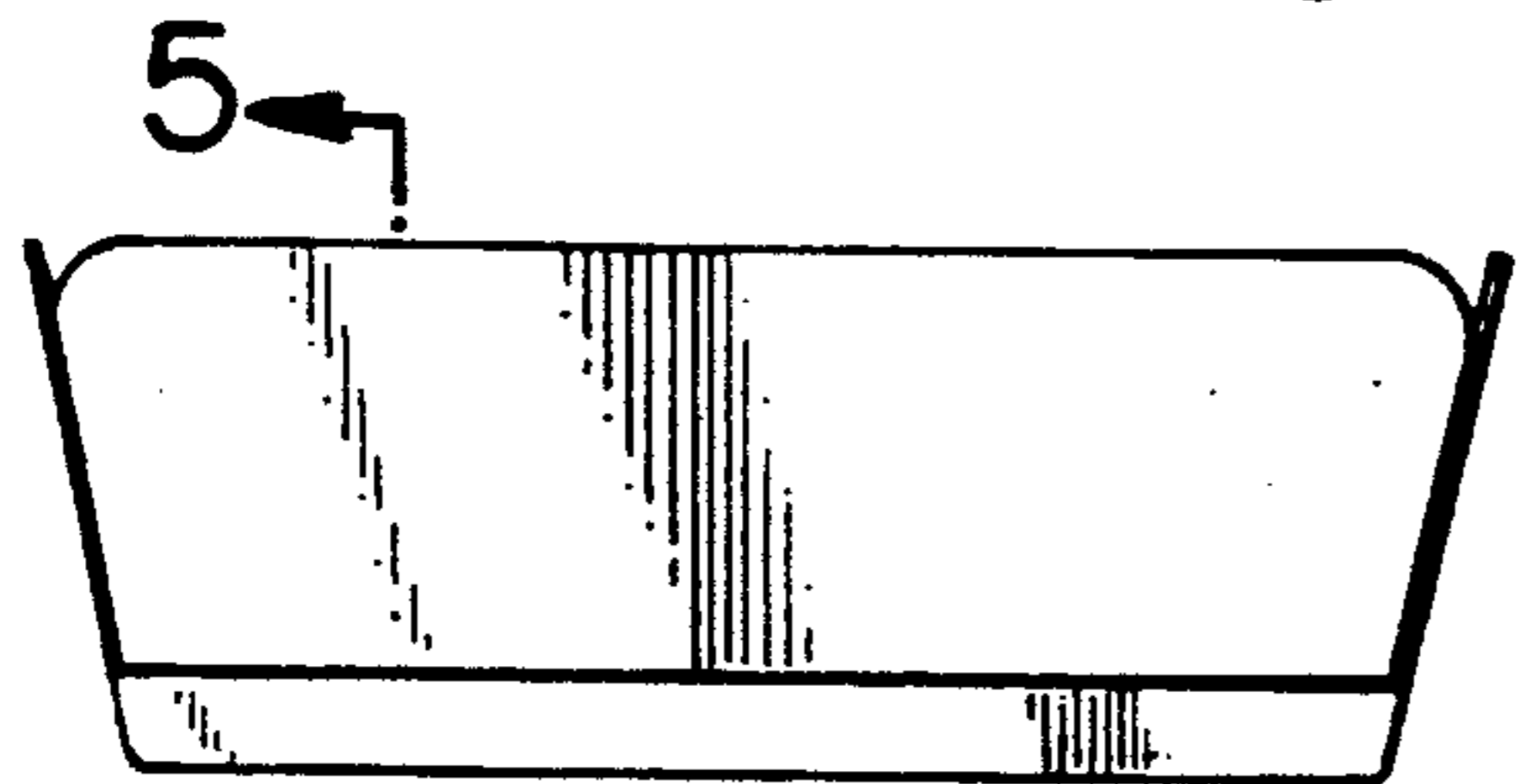


FIG. 4

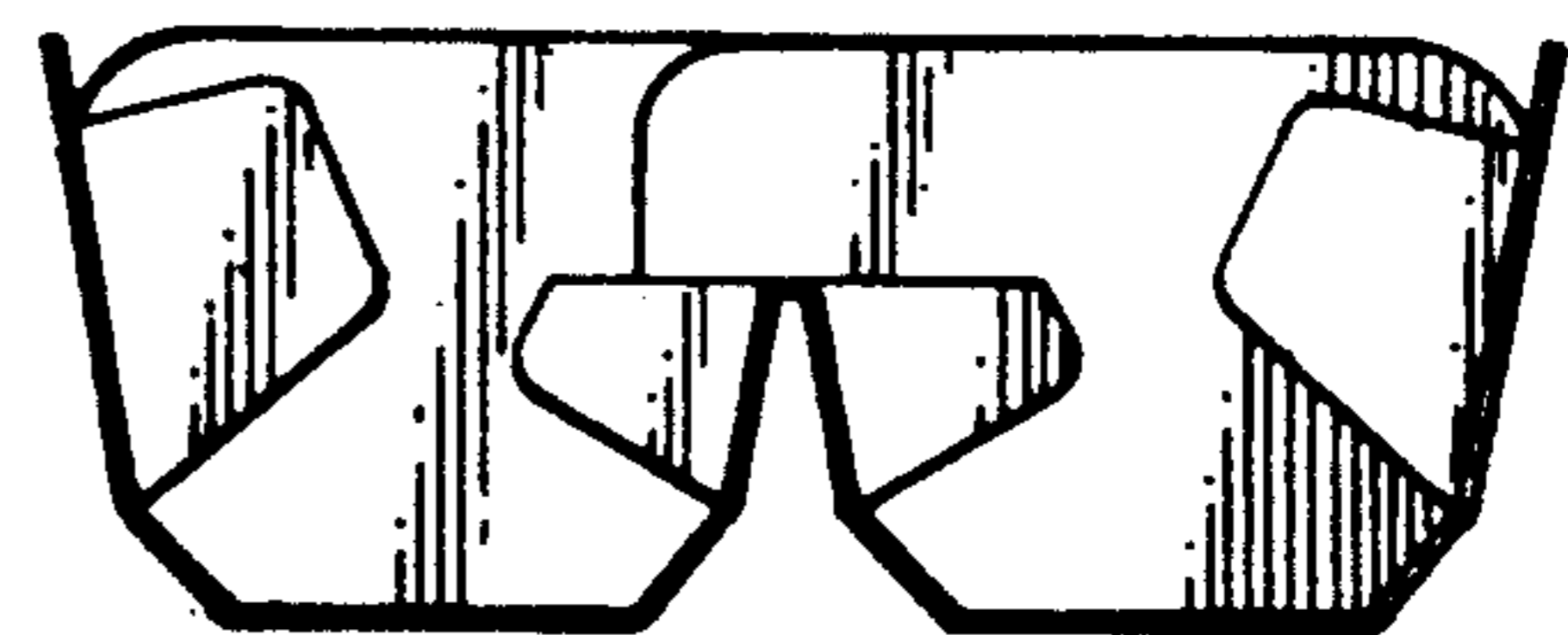


FIG. 5

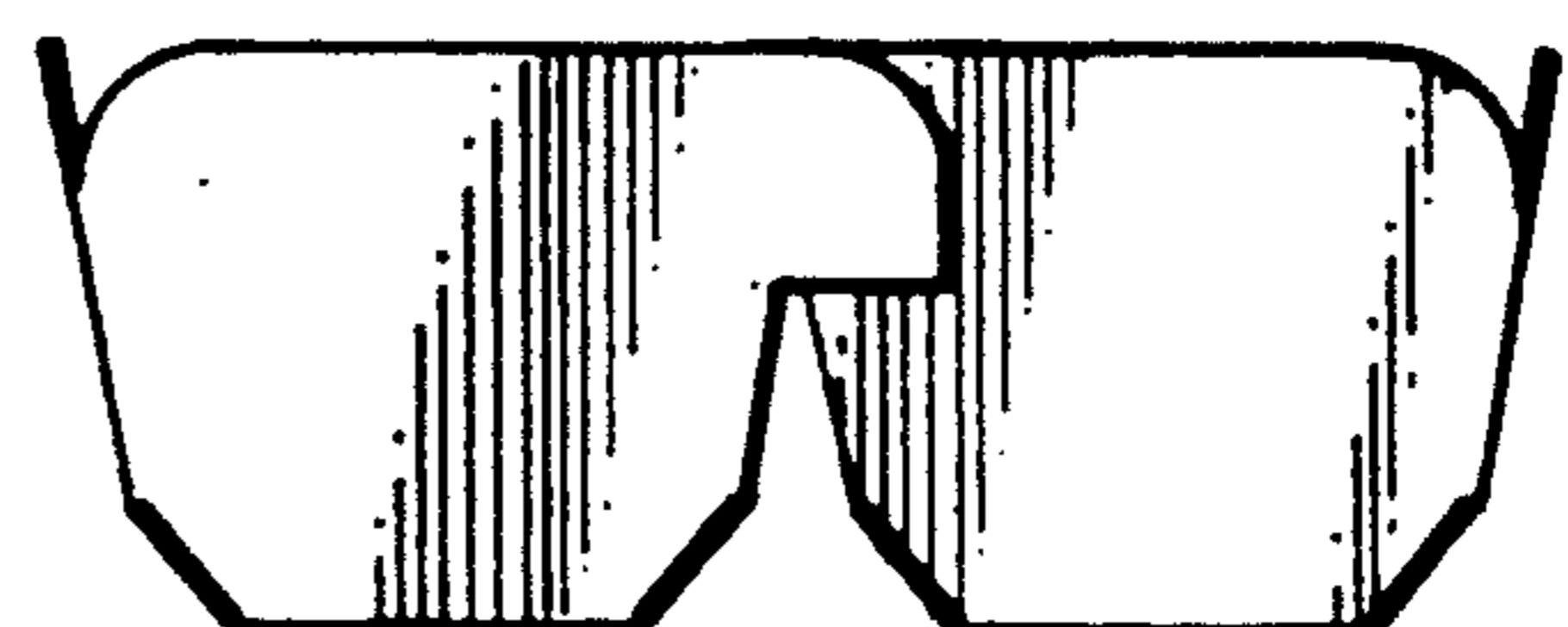


FIG. 3