



US00D332388S

**United States Patent** [19]  
**Marotto**

[11] **Patent Number: Des. 332,388**  
[45] **Date of Patent: \*\* Jan. 12, 1993**

[54] **KEY**

[75] **Inventor: Robert A. Marotto, Brown Deer, Wis.**

[73] **Assignee: Master Lock Company, Milwaukee, Wis.**

[\*\*] **Term: 14 Years**

[21] **Appl. No.: 639,949**

[22] **Filed: Jan. 10, 1991**

[52] **U.S. Cl. .... D8/347**

[58] **Field of Search .... D8/347-348;  
70/336, 344, 348, 357, 393, 402, 405-409**

[56] **References Cited**

**U.S. PATENT DOCUMENTS**

D. 246,761	12/1977	Kelly et al. ....	D8/347
D. 290,085	6/1987	Foshee .....	D8/347
D. 301,831	6/1989	McCaw .....	D8/347
4,109,497	8/1978	Roberts .....	70/403

**OTHER PUBLICATIONS**

Ilco Unican Key Catalogue #60-R(1984)-Yale Lock Key #999N.

Ilco Unican Key Catalogue #60-R(1984)-AKS Key #VW71.

Ilco Unican Key Catalogue #60-R(1984)-Clausor Key #FS4.

Ilco Unican Key Catalogue #60-R(1984)-Simplex Key #C8.

*Primary Examiner*—Brian N. Vinson

*Attorney, Agent, or Firm*—Pennie & Edmonds

[57] **CLAIM**

The ornamental design for a key, as shown and described.

**DESCRIPTION**

FIG. 1 is a right side elevational view of a key showing my new design;

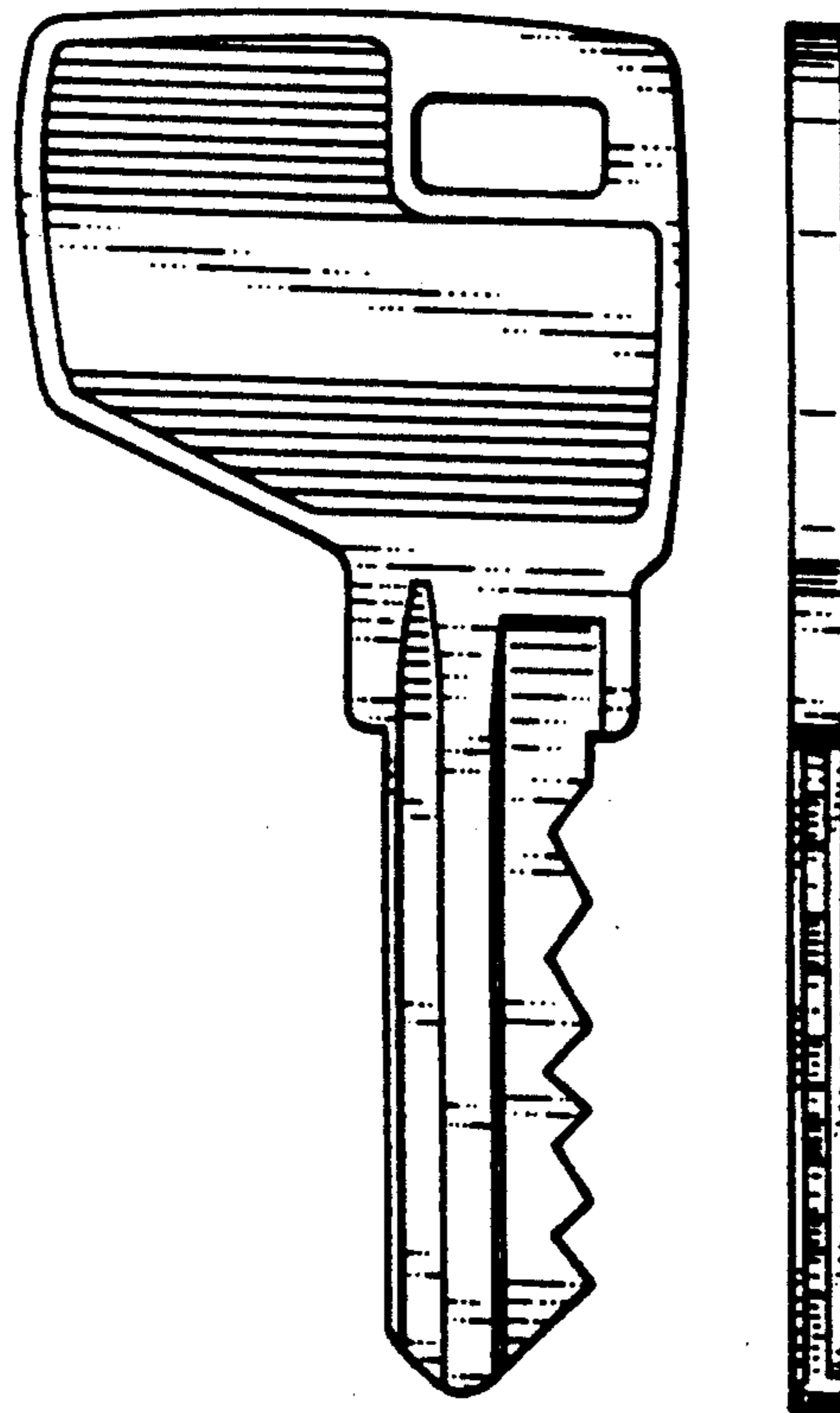
FIG. 2 is a left side elevational view thereof;

FIG. 3 is a top plan view thereof;

FIG. 4 is a bottom plan view thereof;

FIG. 5 is a front elevational view thereof; and,

FIG. 6 is a rear elevational view thereof.



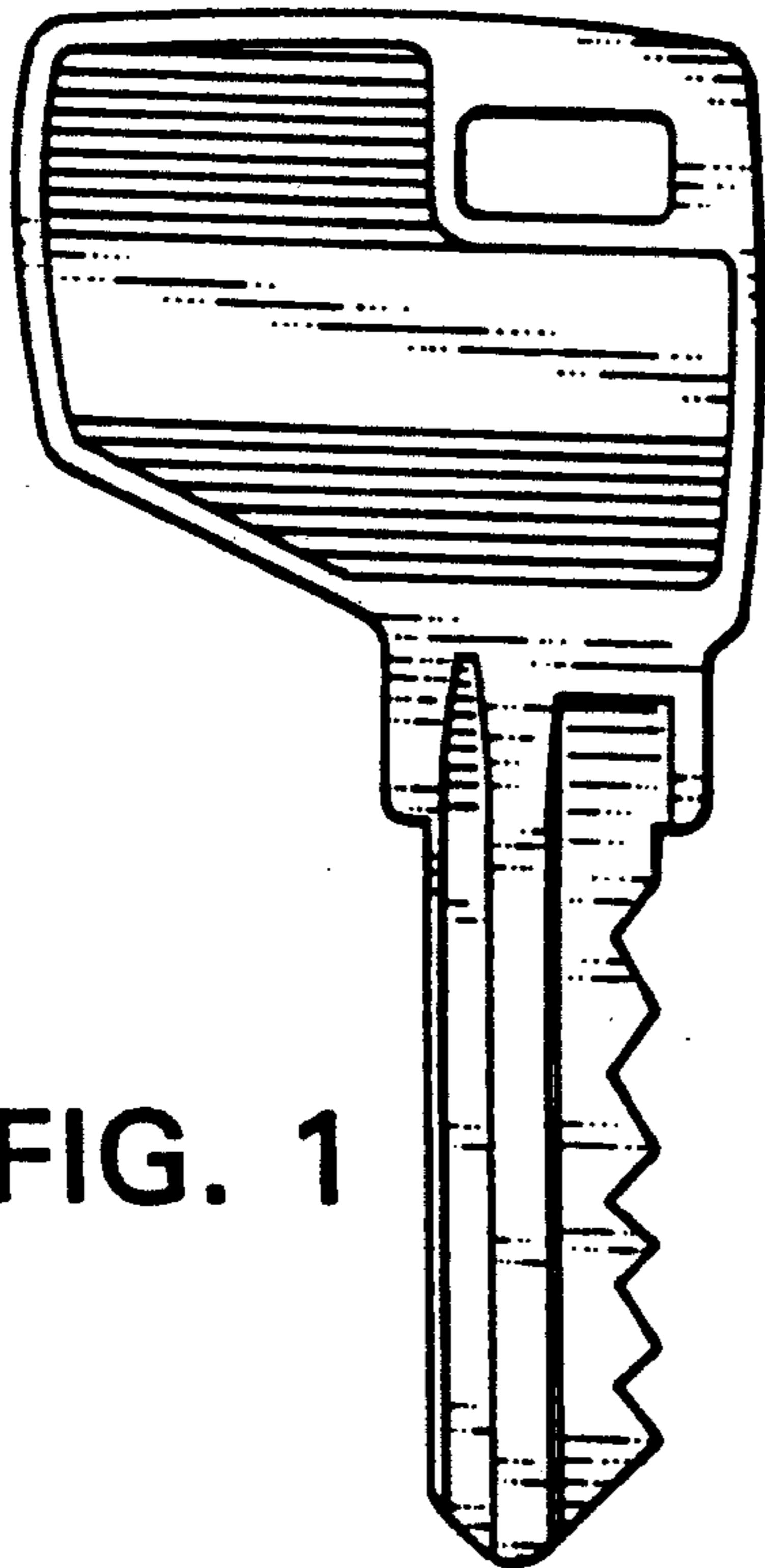


FIG. 1

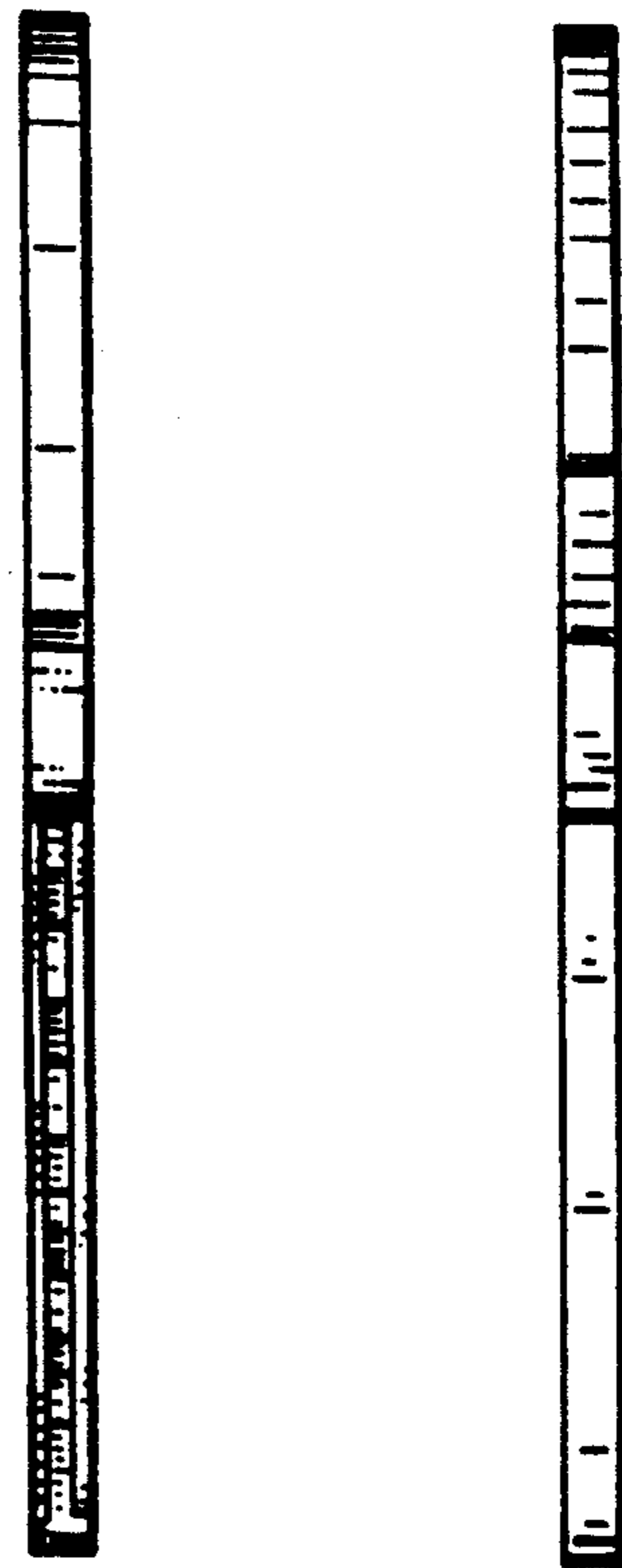


FIG. 3

FIG. 4

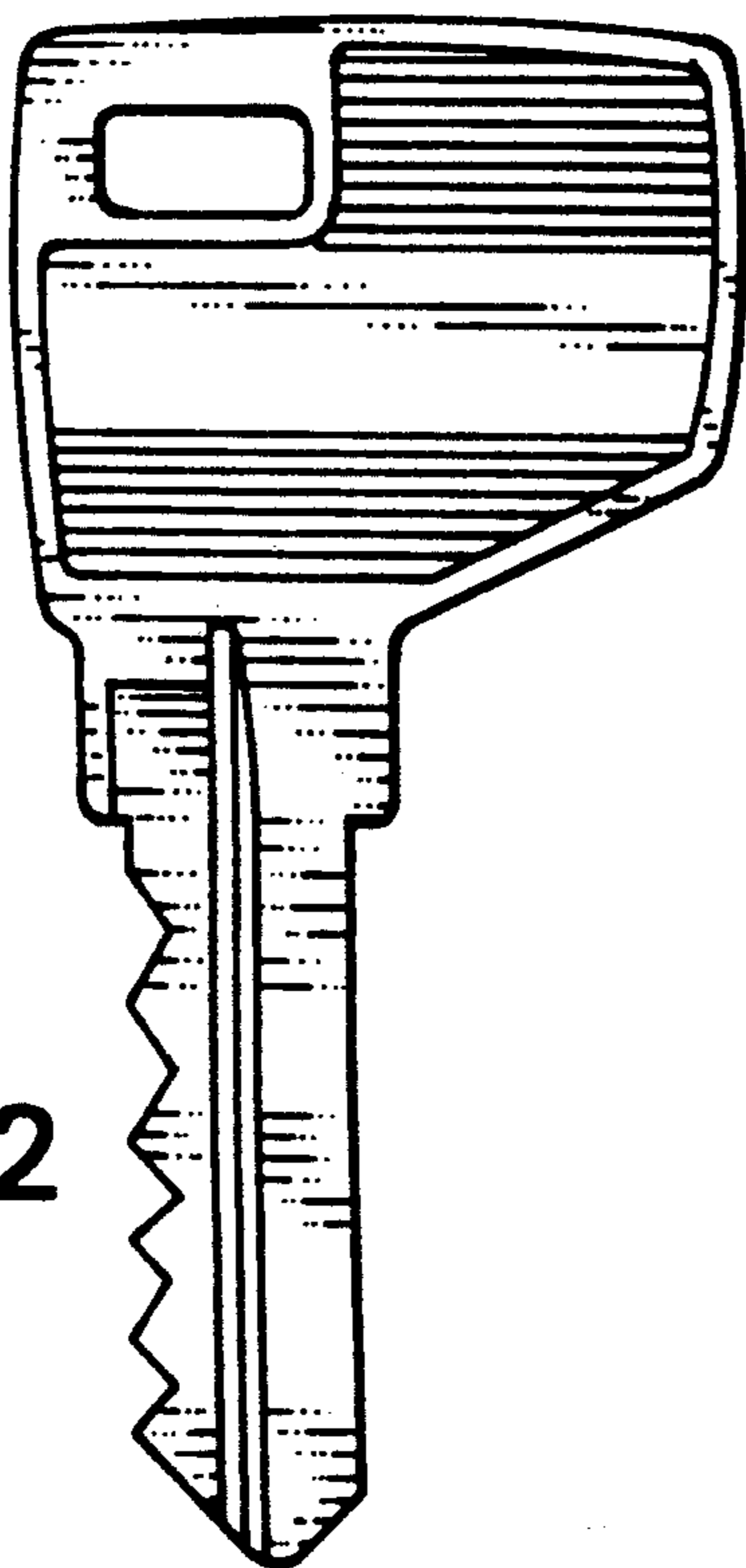


FIG. 2



FIG. 5



FIG. 6