



US00D332386S

United States Patent [19]

[11] Patent Number: **Des. 332,386**

Plummer

[45] Date of Patent: **** Jan. 12, 1993**

[54] HANDLE

[75] Inventor: **David D. Plummer**, Hudson, Wis.

[73] Assignee: **Andersen Corporation**, Bayport, Minn.

[**] Term: **14 Years**

[21] Appl. No.: **671,292**

[22] Filed: **Mar. 18, 1991**

[52] U.S. Cl. **D8/308**

[58] Field of Search **D8/301, 308; 16/110 R; 292/194, 347; 74/519**

- D. 111,016 8/1938 Curtiss .
- D. 115,670 7/1939 Hollindale D8/308
- D. 127,681 6/1941 Hodgman .
- D. 195,826 8/1963 Melcher .
- D. 295,947 5/1988 Valli D8/308

Primary Examiner—**B. J. Bullock**
Attorney, Agent, or Firm—**Merchant, Gould, Smith, Edell, Welter & Schmidt**

[57] CLAIM

The ornamental design for a handle, as shown and described.

DESCRIPTION

FIG. 1 is a perspective view of a handle showing our new design;

FIG. 2 is a top plan view thereof;

FIG. 3 is a side elevational view taken from the bottom of FIG. 2, the side opposite being a mirror image;

FIG. 4 is a bottom plan view thereof;

FIG. 5 is a front elevational view thereof; and,

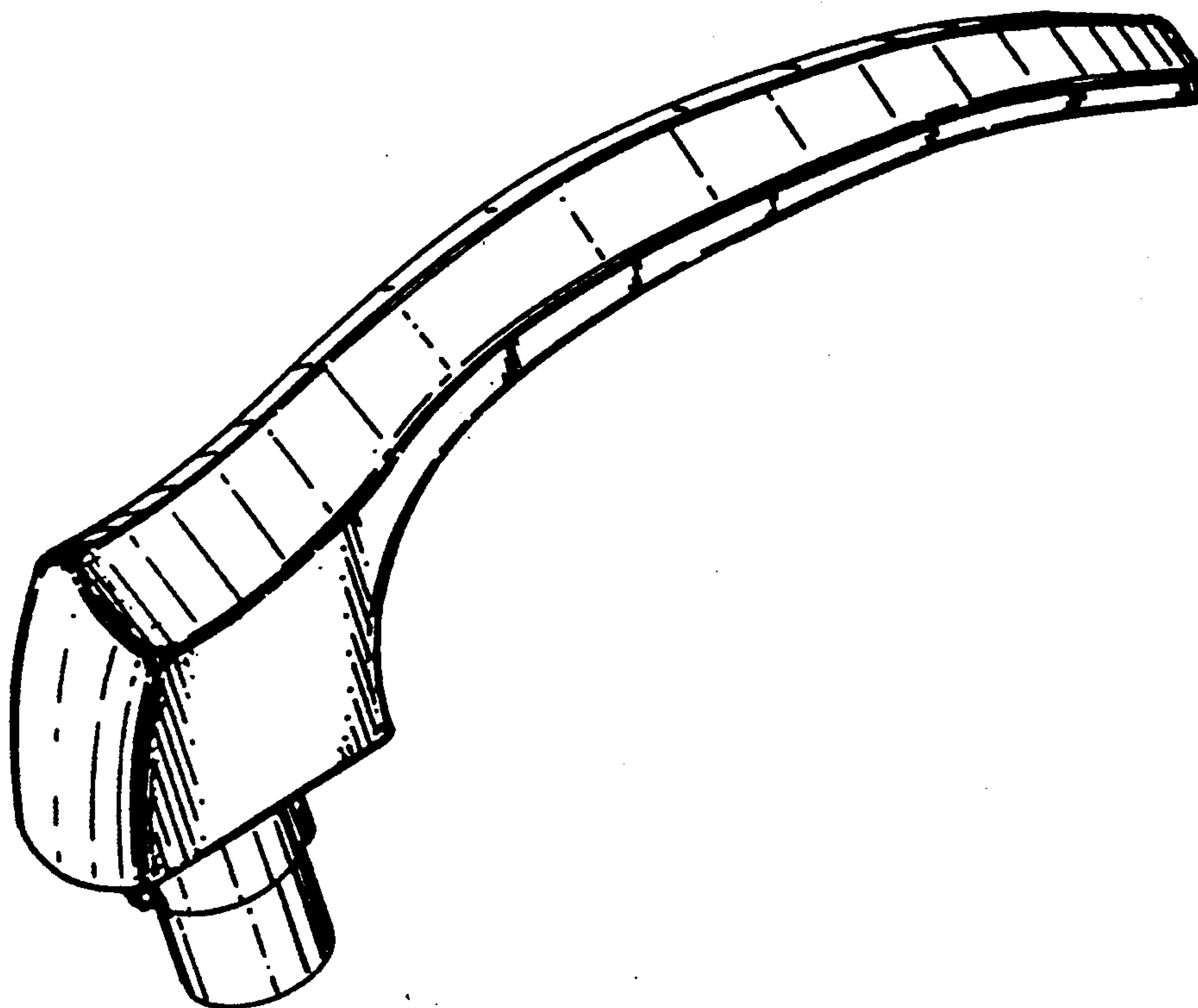
FIG. 6 is a rear elevational view thereof.

[56]

References Cited

U.S. PATENT DOCUMENTS

- D. 60,576 3/1922 Schlink .
- D. 80,400 1/1930 Schnell .
- D. 82,598 11/1930 Brownell .
- D. 84,756 7/1931 Ruppel .
- D. 100,722 8/1936 Snyder et al. .
- D. 106,821 11/1937 Ruppel .



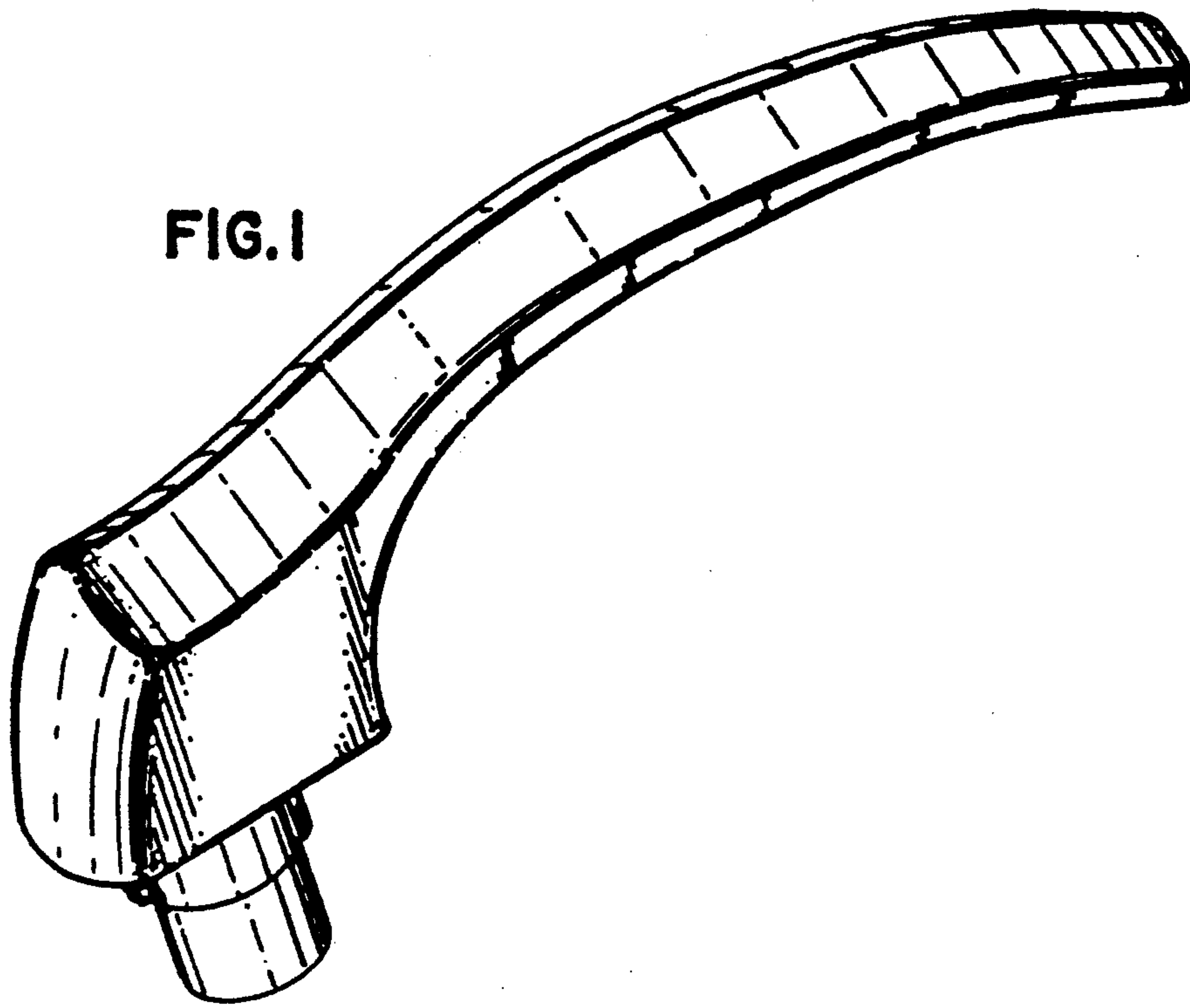


FIG. 1

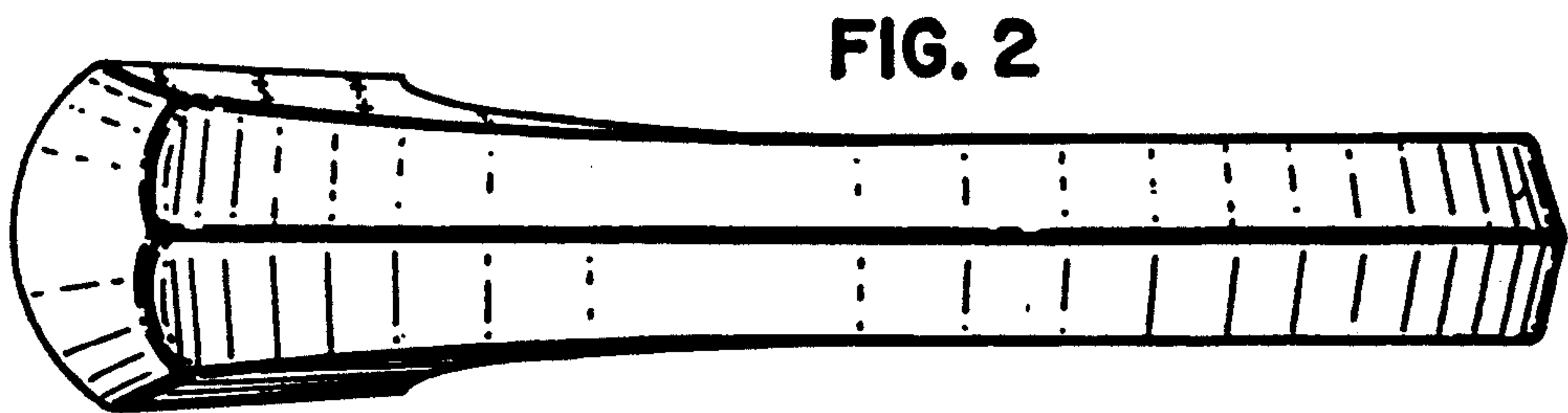


FIG. 2

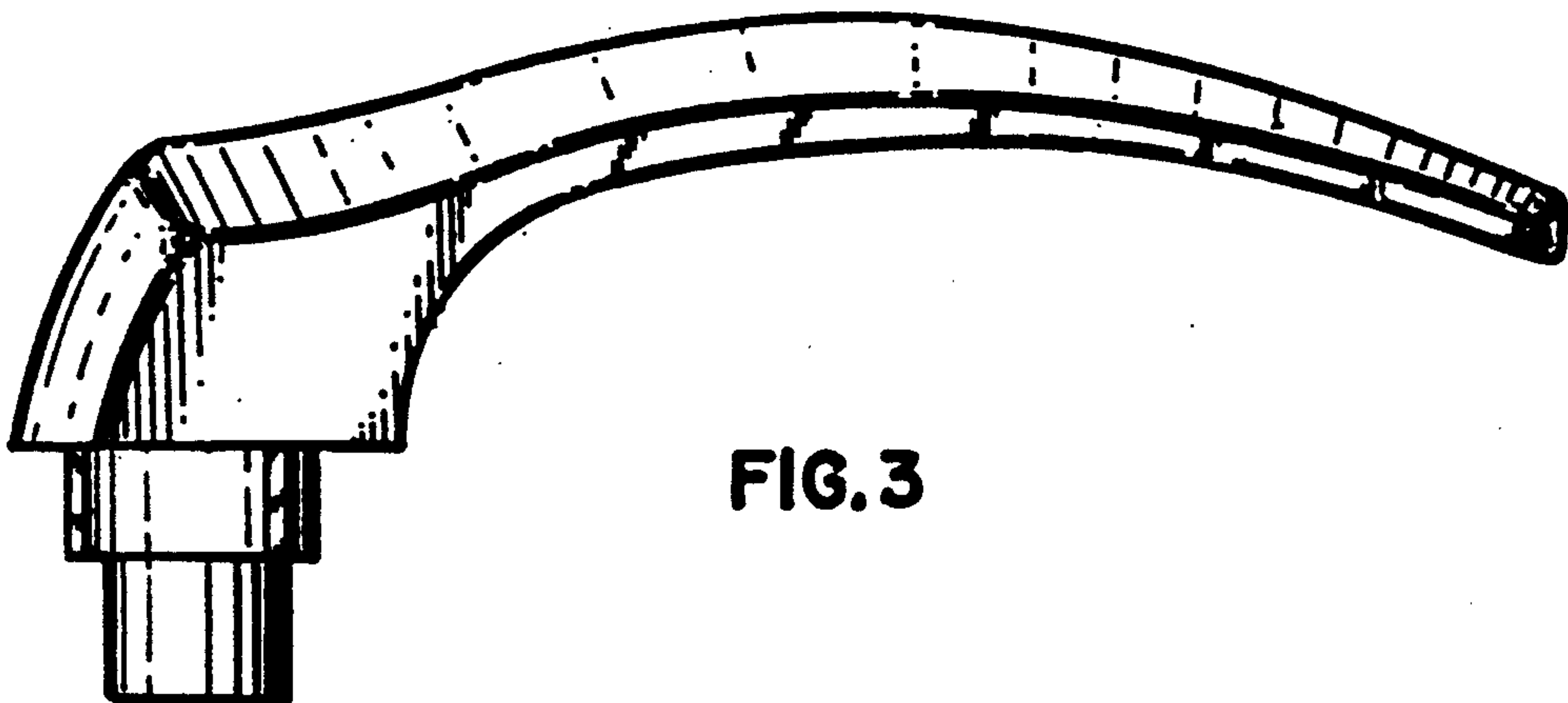


FIG. 3

FIG. 4

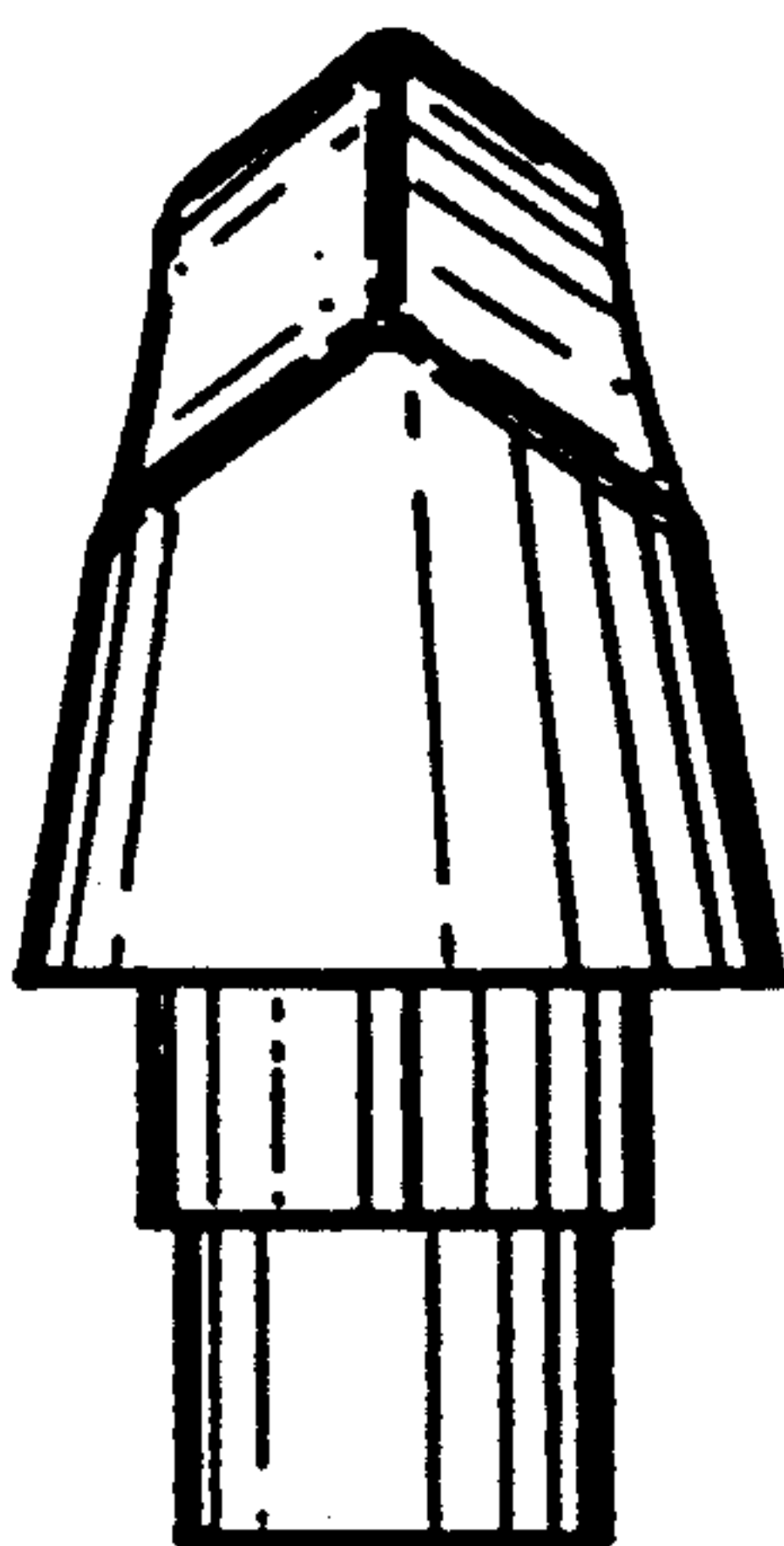
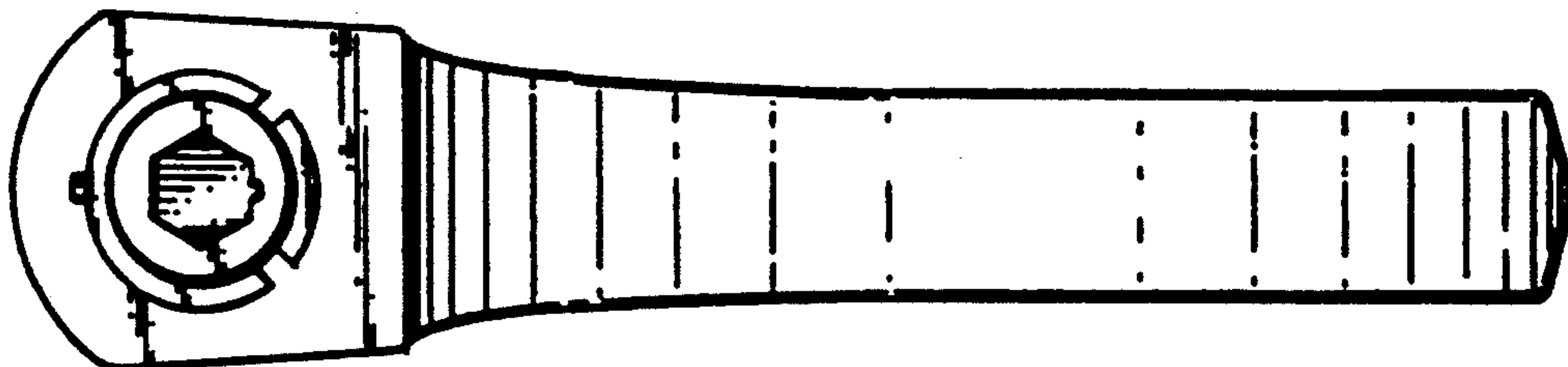


FIG. 5

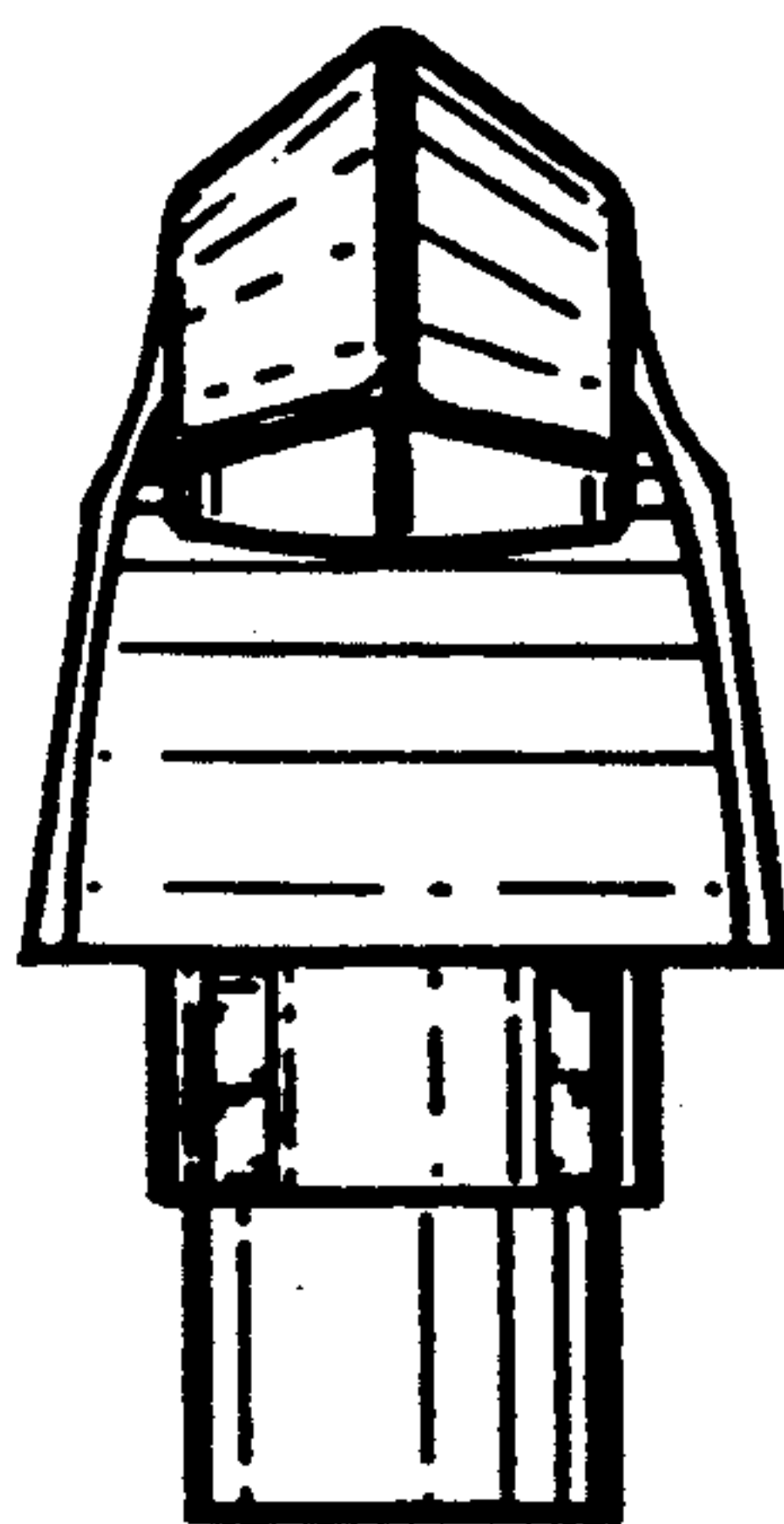


FIG. 6