



US00D332379S

United States Patent [19]

[11] Patent Number: Des. 332,379

Murphy

[45] Date of Patent: ** Jan. 12, 1993

[54] LID FOR STORAGE JAR WITH HANDLE

[75] Inventor: Kent M. Murphy, Wooster, Ohio

[73] Assignee: Rubbermaid Incorporated, Wooster, Ohio

[**] Term: 14 Years

[21] Appl. No.: 804,174

[22] Filed: Dec. 9, 1991

[52] U.S. Cl. D7/391; D7/612; D9/443

[58] Field of Search D7/391, 392.1, 612-615, D7/629; D9/435, 443 X; 220/200, 243, 248

[56] References Cited

U.S. PATENT DOCUMENTS

- D. 327,849 7/1992 Armstrong D9/435 X
- 4,693,399 9/1987 Hickman et al. 222/480
- 4,714,181 12/1987 Kozlowski et al. 222/480

OTHER PUBLICATIONS

Sell sheet, storage containers, Jareen, 3355 East Slauson Avenue, Los Angeles, Calif. 90058, Publication date 1989.

Sell sheet, plastic jars, Jareen, 3355 East Slauson Avenue, Los Angeles, Calif. 90058, Publication date 1989.

Sell sheet, plastic storage containers, Riley, 15750 South Keller, Olathe, Kans. 66062, It is believed that the products depicted herein have been on sale for more than one (1) year prior to the application date of this instant application.

Page 33, storage jars, Designs & Functions, Inc., P.O.

Box 2446, South Vineland, NJ 08360, Publication date Jul., 1984.

Magazine page, Libbey canisters, *Housewares Furnishings Daily*, Fairchild Fashion & Merchandising Group, 7 West 34th Street, New York, NY 10001, Publication date Apr. 17, 1989.

Catalog page, storage jars, Heller, 41 Madison Avenue, New York, NY 10010, It is believed that the products depicted herein have been on sale for more than one (1) year prior to the application date of this instant application.

Primary Examiner—Terry A. Pfeffer

Attorney, Agent, or Firm—Richard B. O'Planick

[57] CLAIM

The ornamental design for a lid for storage jar with handle, as shown and described.

DESCRIPTION

FIG. 1 is a top, front, right side perspective view of the lid for storage jar with handle showing my new design; FIG. 2 is a top, front, right side perspective view thereof, the handle shown in a closed position;

FIG. 3 is a rear elevational view thereof;

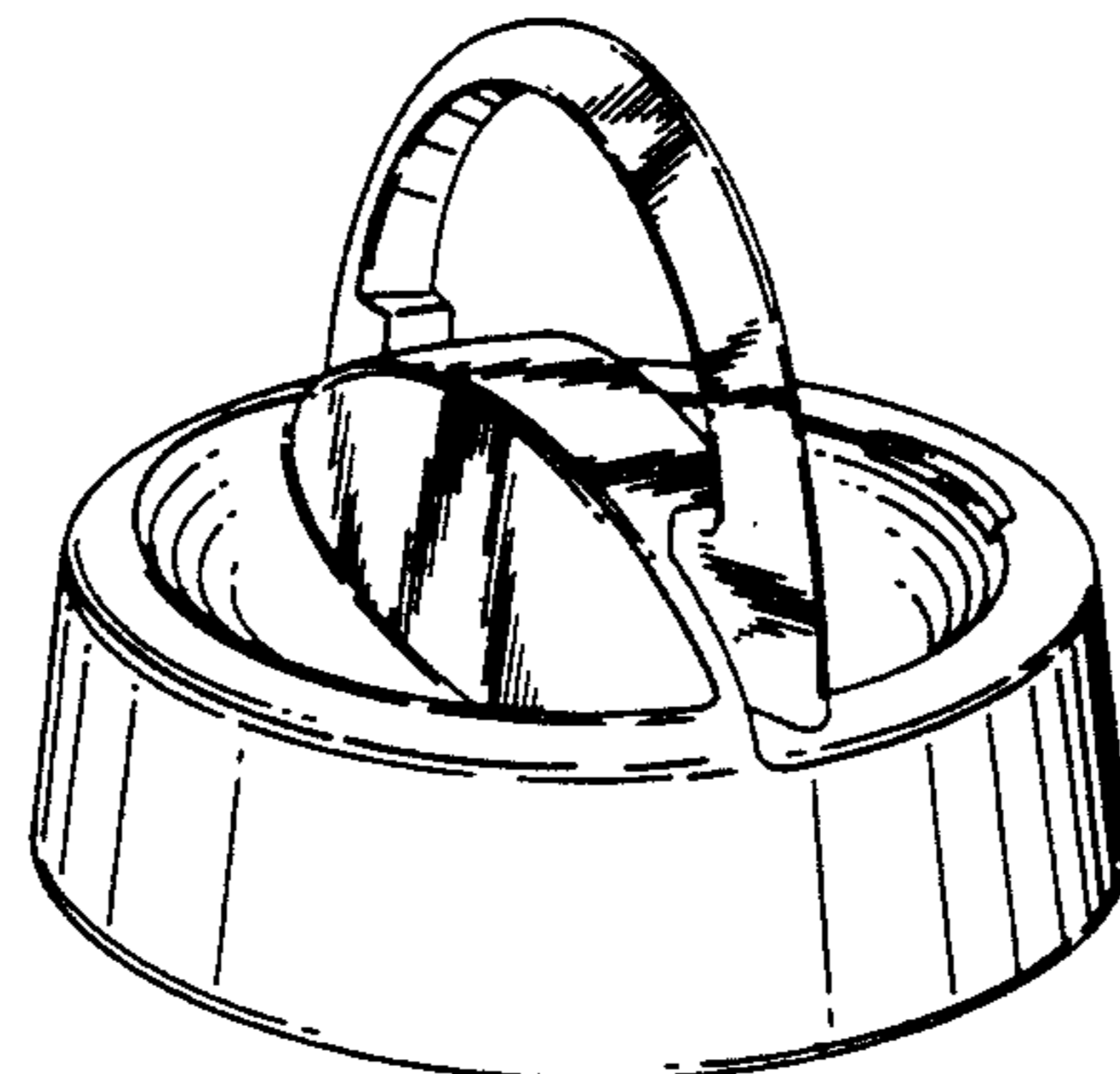
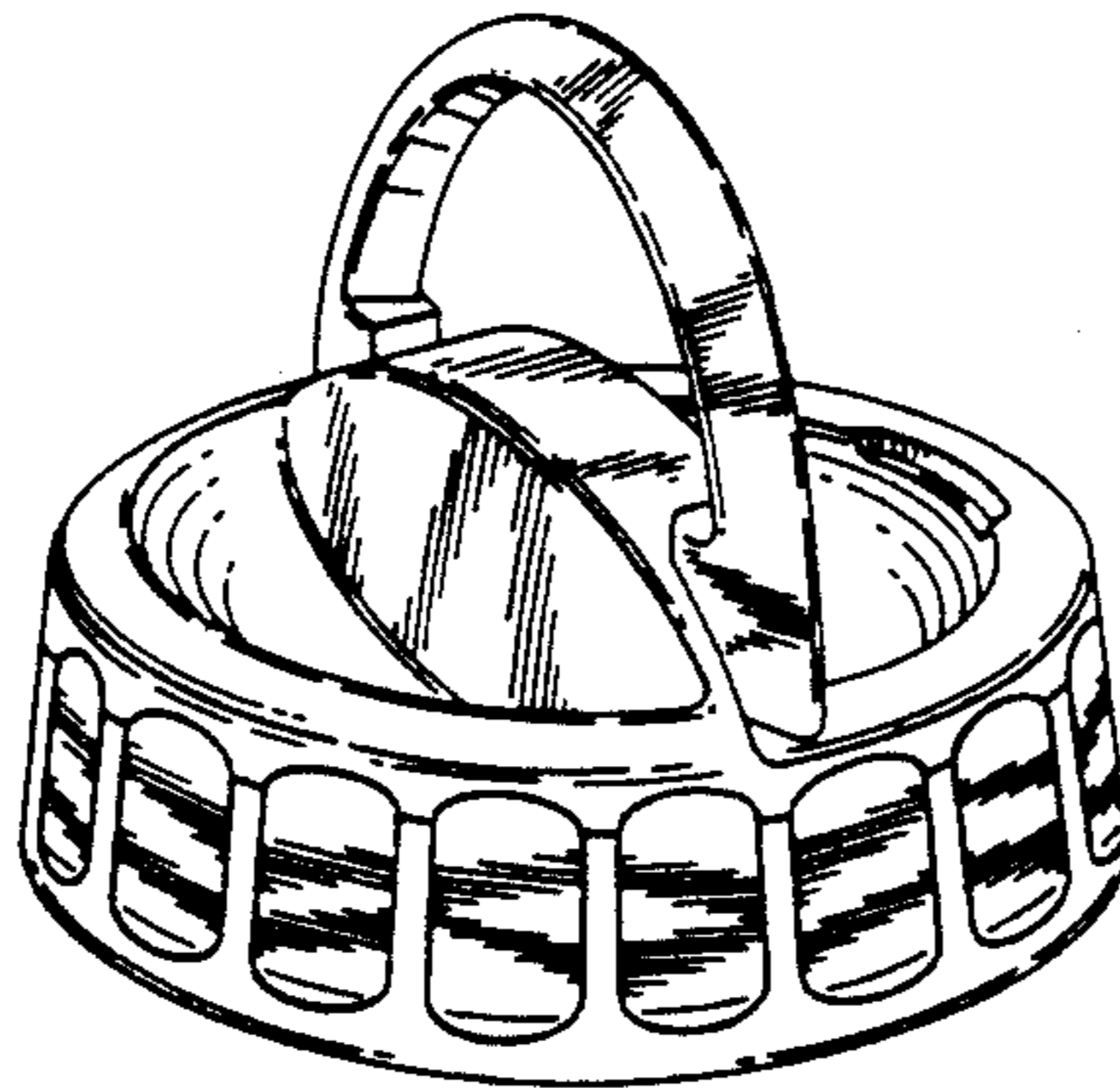
FIG. 4 is a top plan view thereof;

FIG. 5 is a bottom plan view thereof;

FIG. 6 is a side elevational view thereof; the opposite side being a mirror image;

FIG. 7 is a cross-sectional view thereof taken along line 7-7 of FIG. 2; and,

FIG. 8 is a top, front, right side perspective view of an alternate embodiment of FIG. 1, the undisclosed bottom view being identical to FIG. 5.



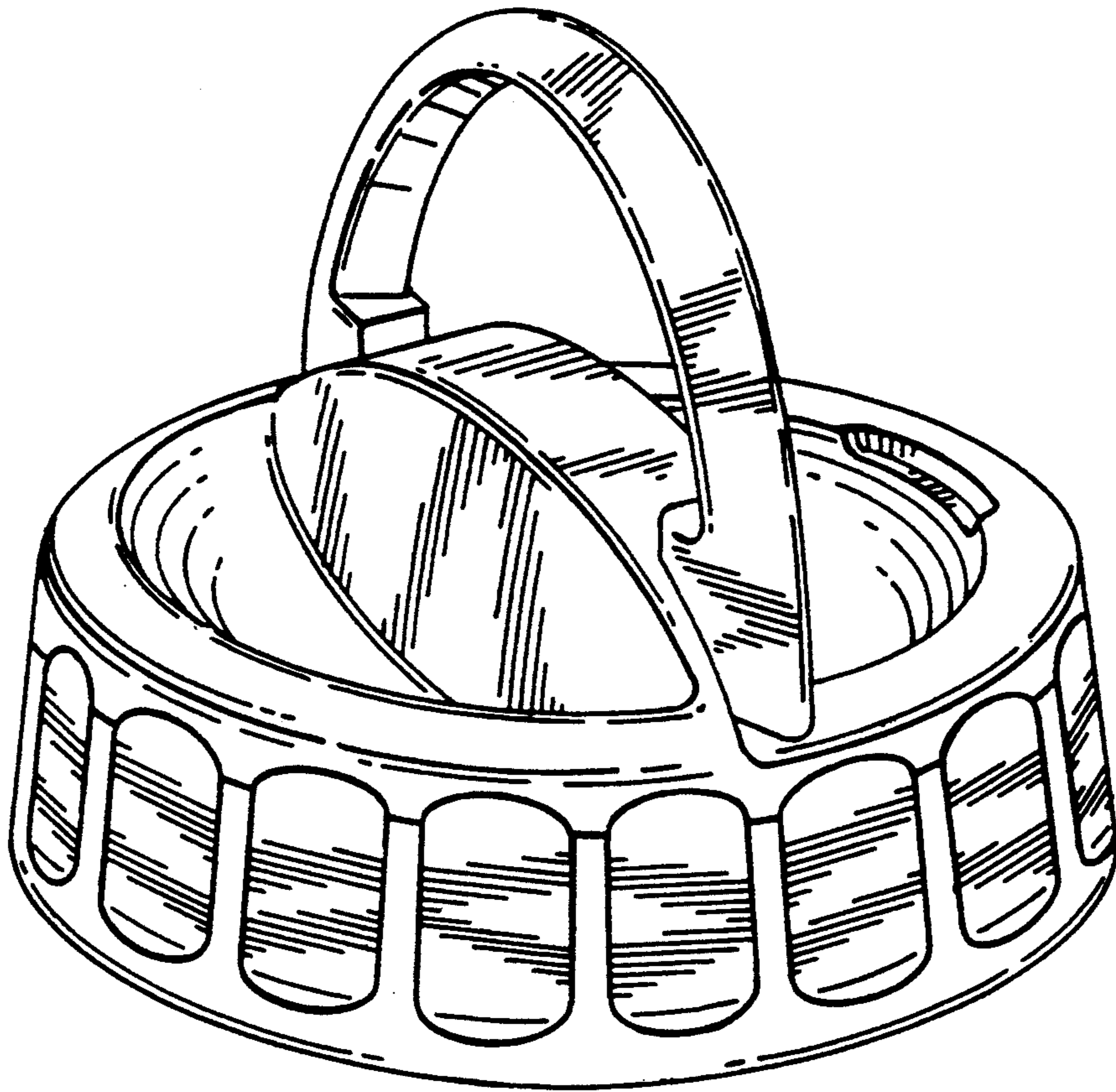


FIG. 1

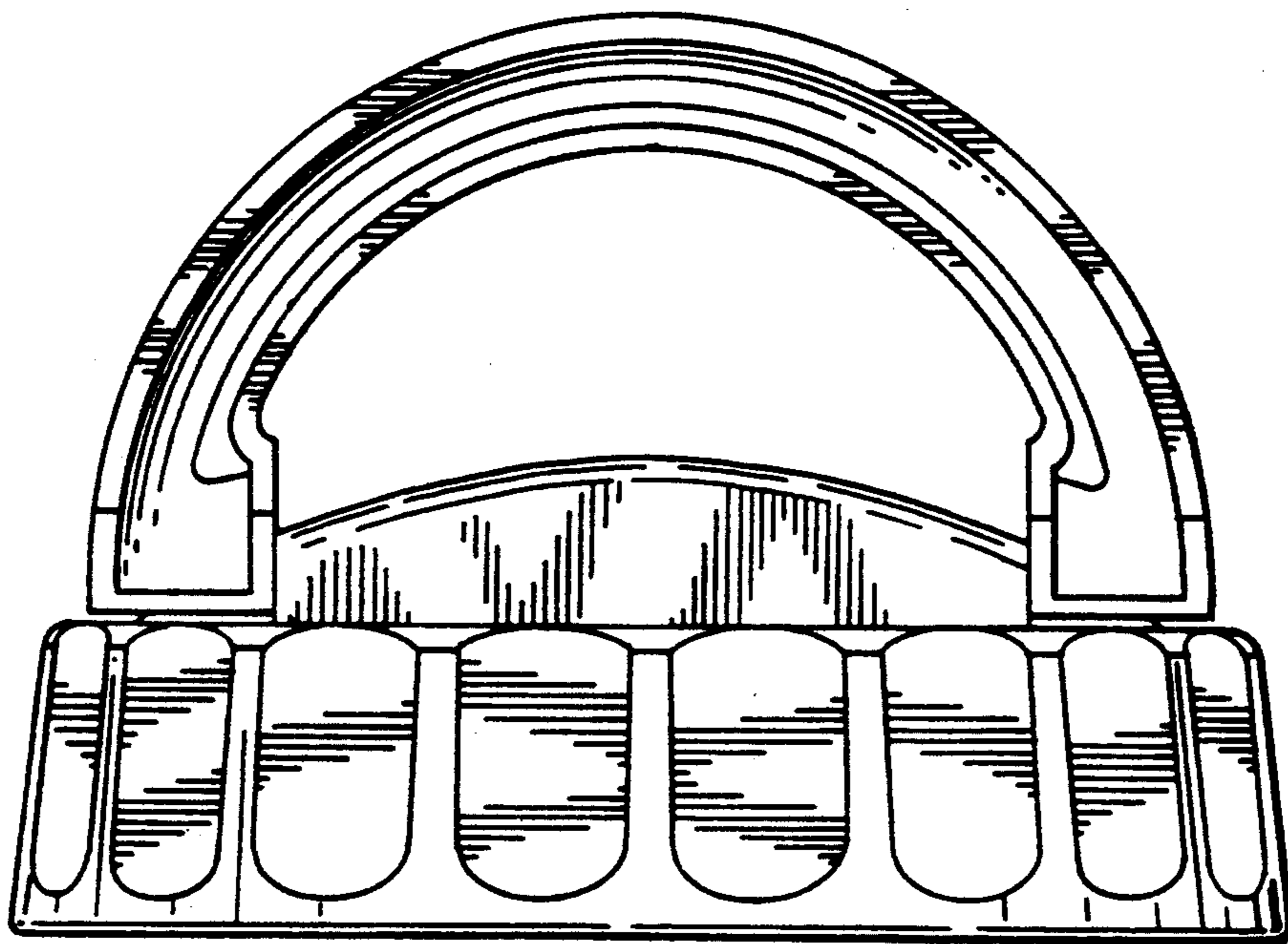


FIG. 3

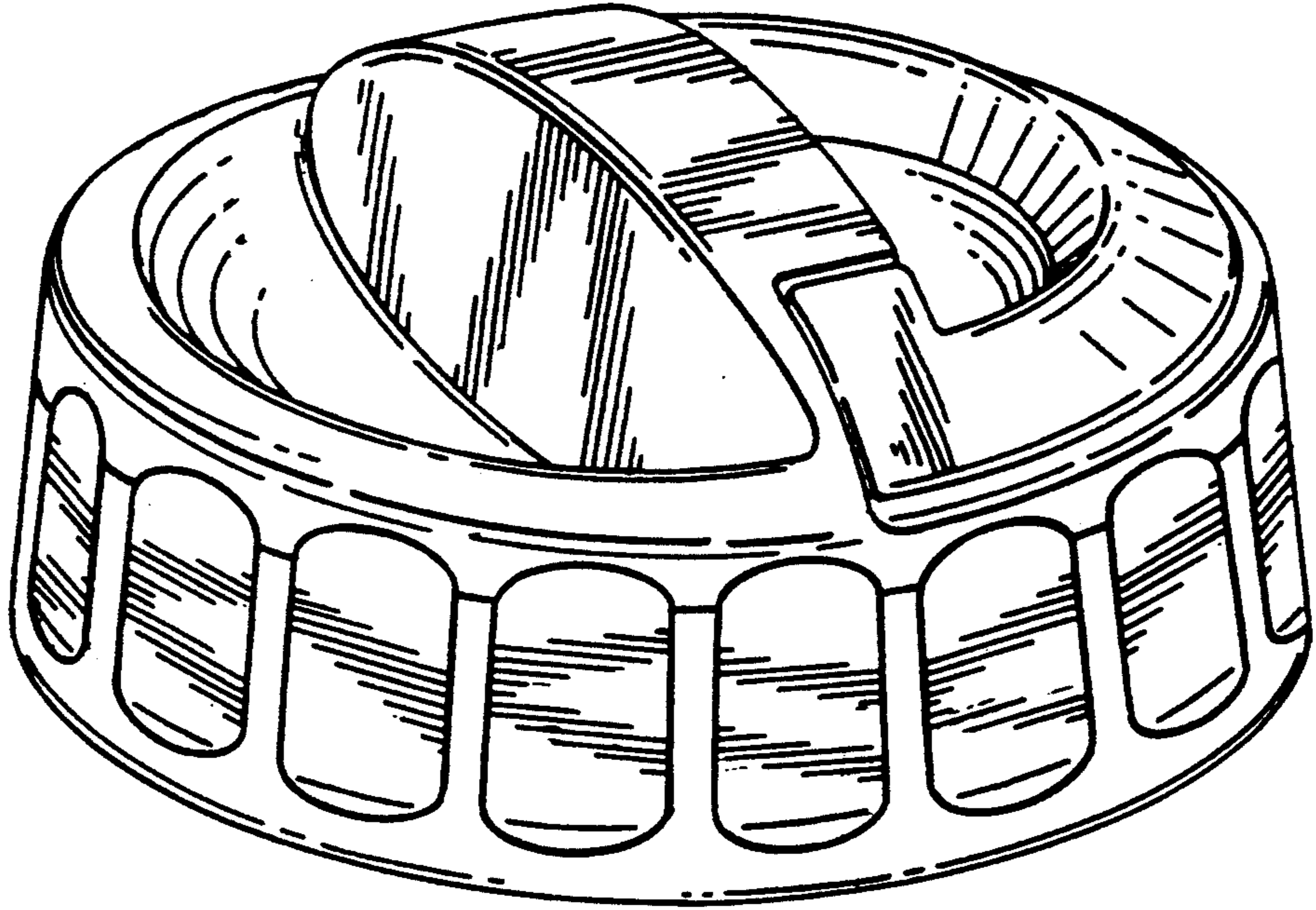


FIG. 2

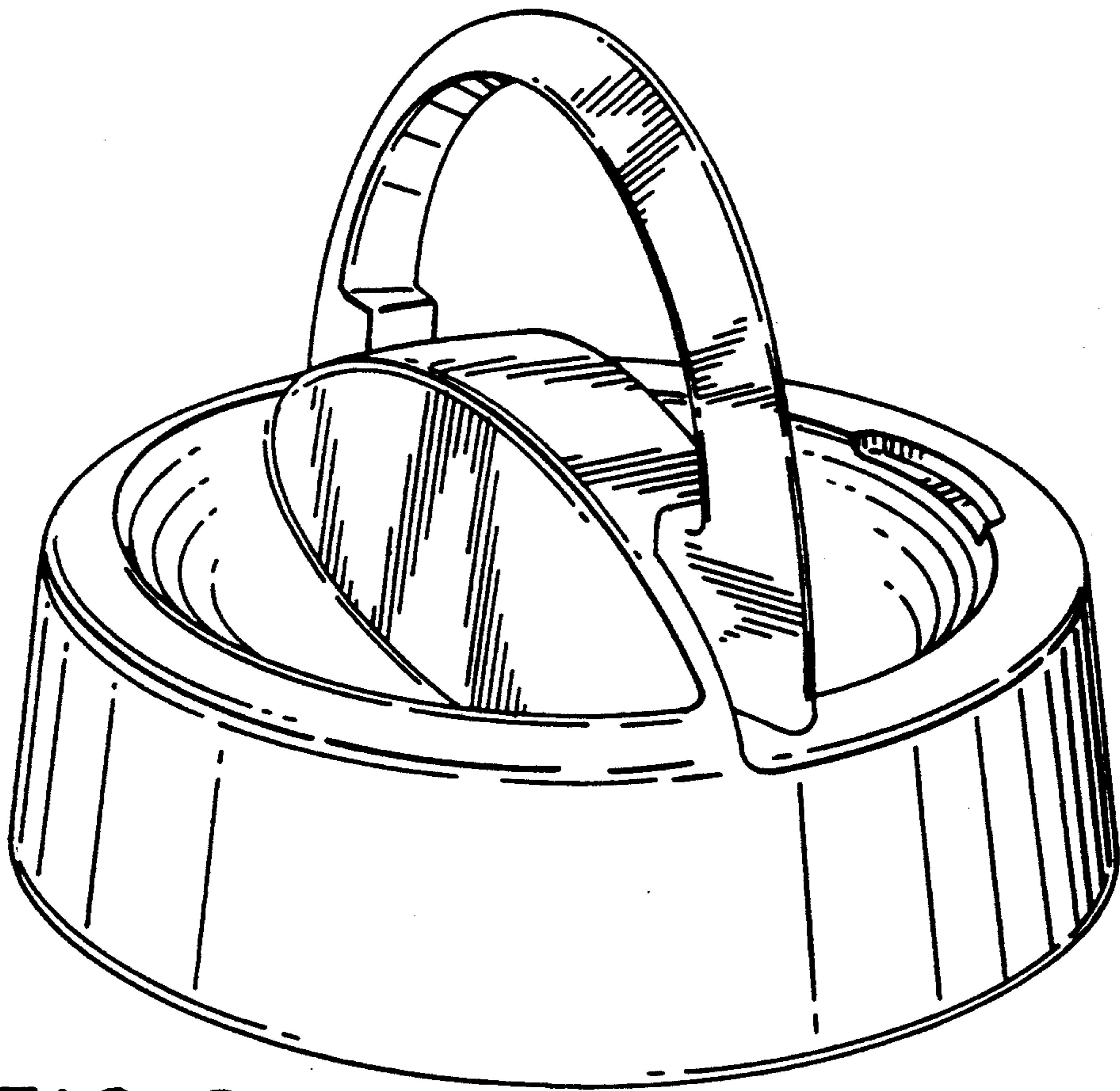


FIG. 8

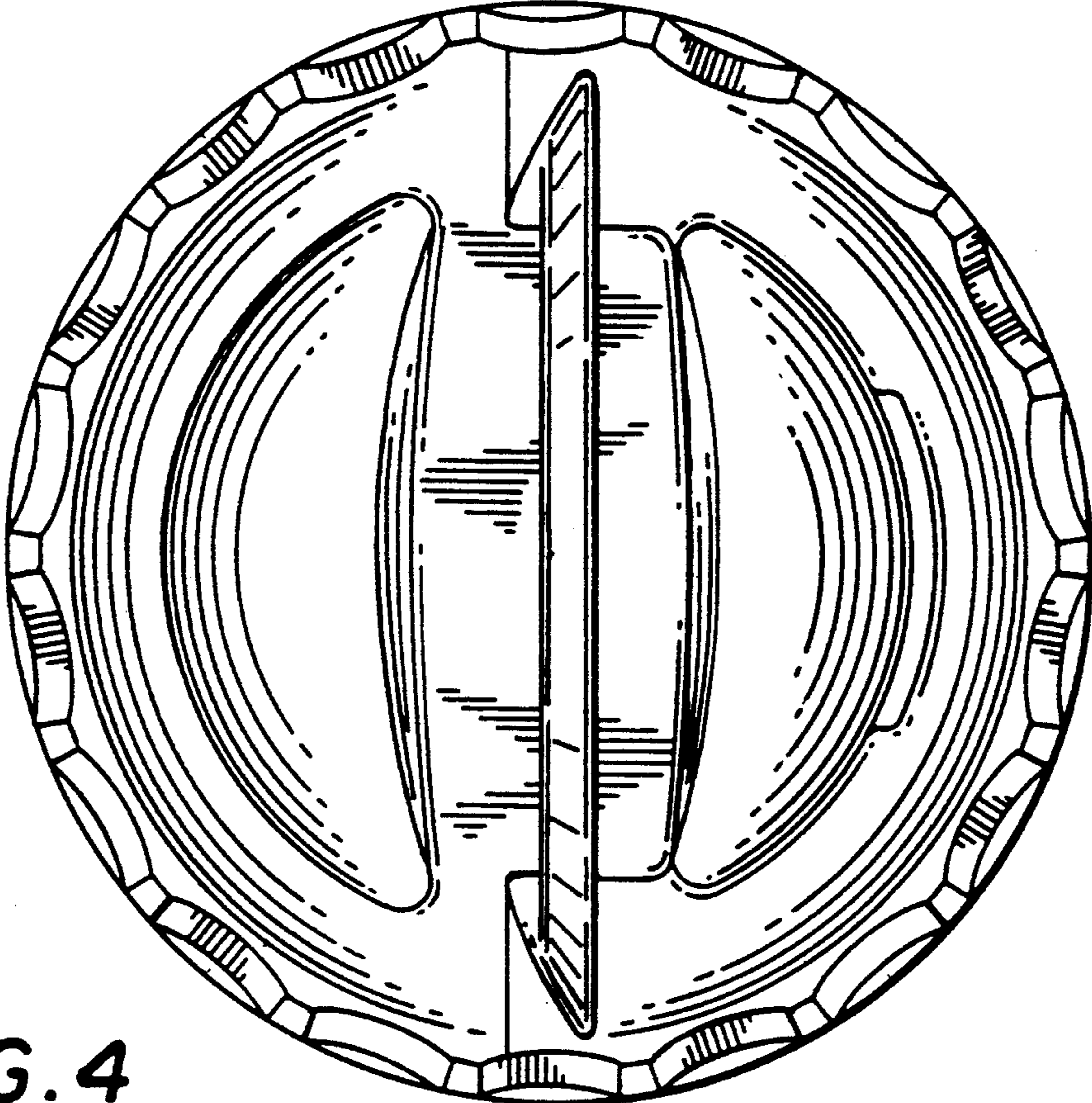


FIG. 4

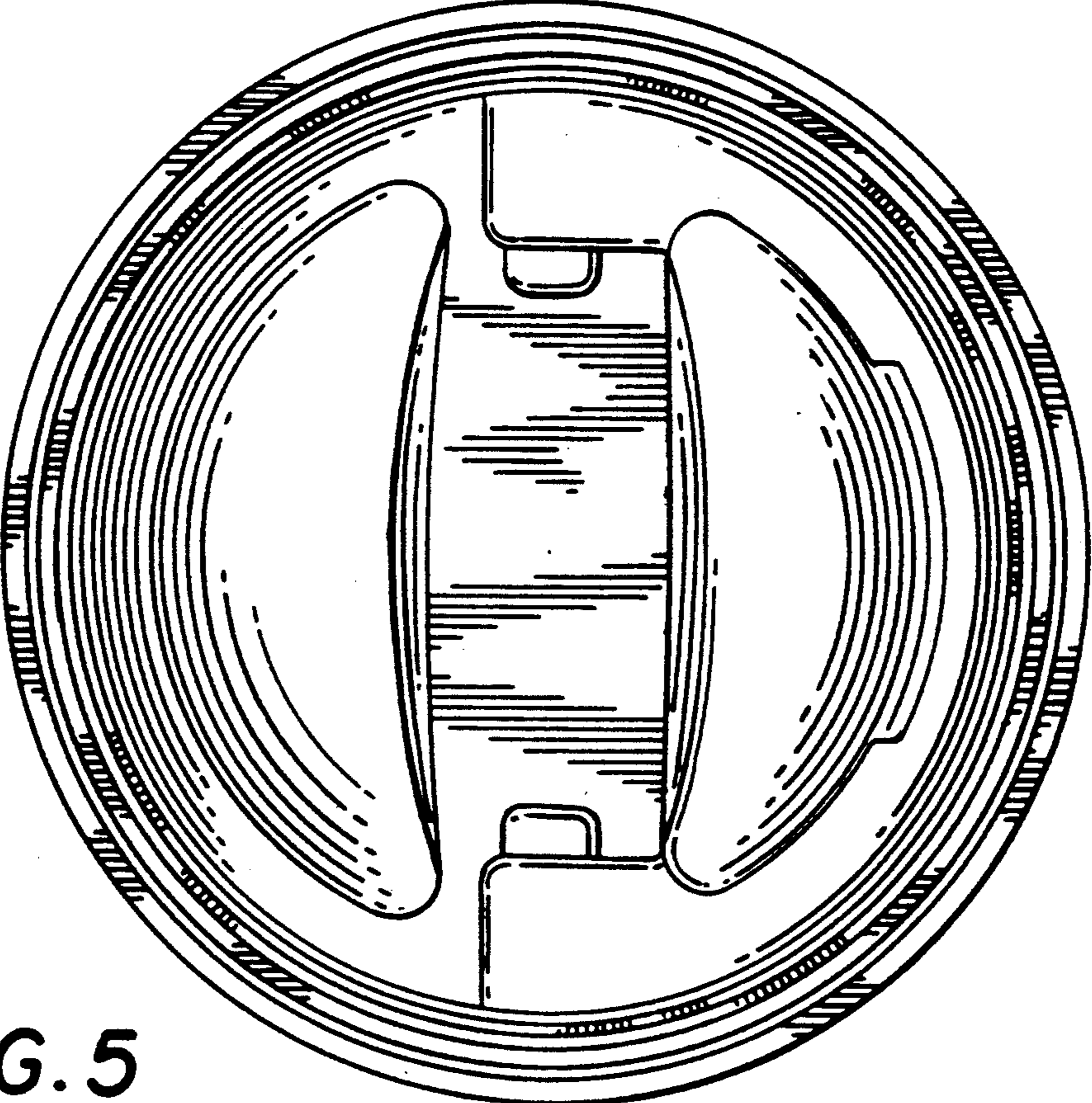


FIG. 5

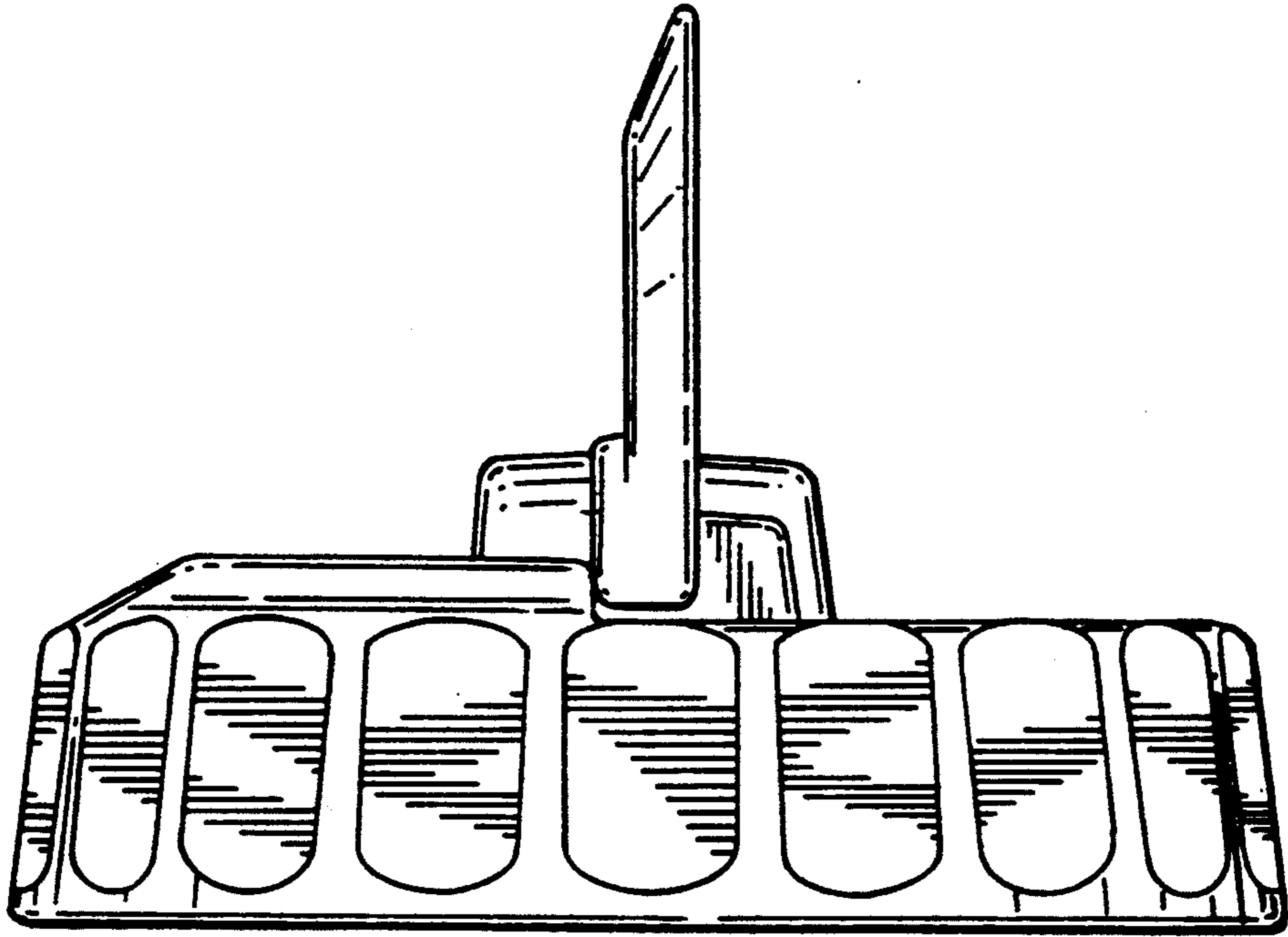


FIG. 6

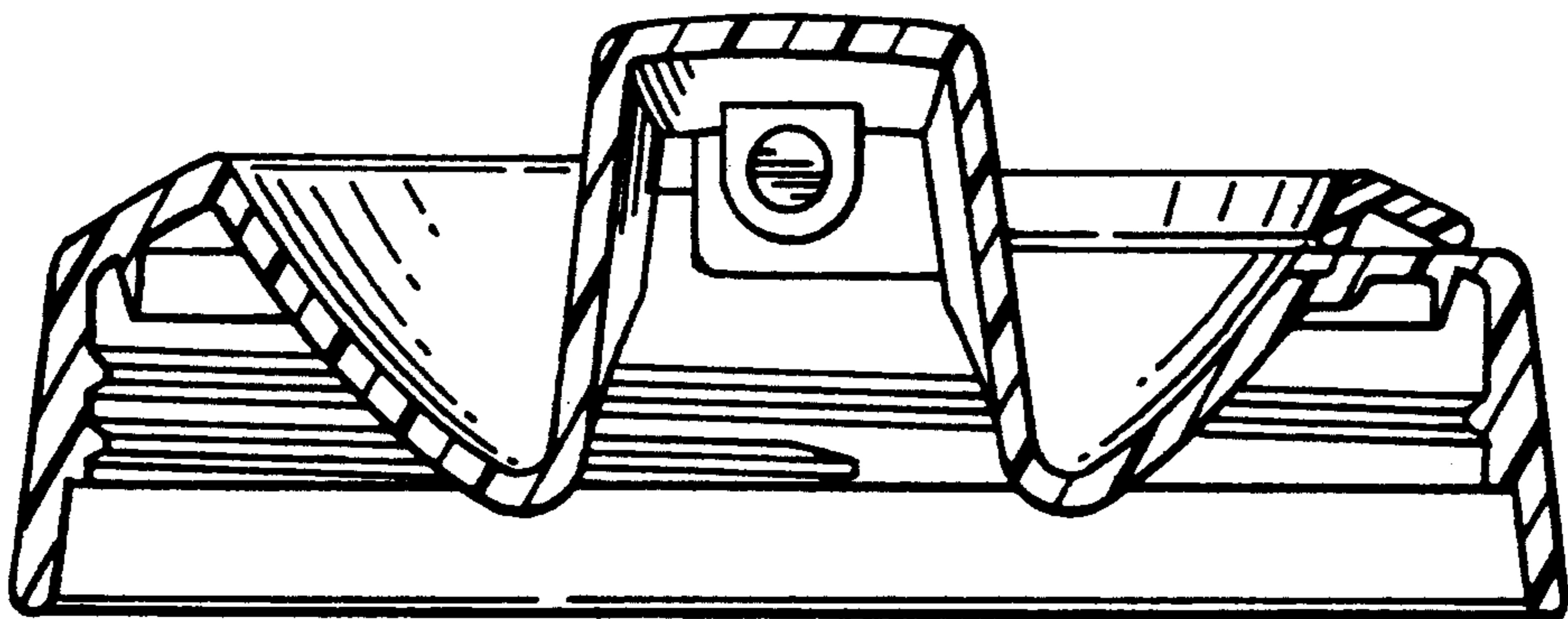


FIG. 7