



US00D332377S

United States Patent [19]

Aditya

[11] Patent Number: Des. 332,377

[45] Date of Patent: ** Jan. 12, 1993

[54] COFFEE STRAINER

[76] Inventor: **Noorzahan K. Aditya**, 159 Dorsa Ave., Wayne, N.J. 07470

[**] Term: **14 Years**

[21] Appl. No.: **617,518**

[22] Filed: **Nov. 23, 1990**

[52] U.S. Cl. **D7/667; D10/46.2**

[58] Field of Search **D7/667, 668, 400, 691, D7/692; D10/46.2; 30/325; 99/323; 206/0.5; 294/55; 426/78-80, 82**

[56] References Cited

U.S. PATENT DOCUMENTS

D. 215,331	9/1969	Swett et al.	D10/46.2
D. 218,634	9/1970	Swett	D7/667
4,086,848	5/1978	Hahn	99/323

OTHER PUBLICATIONS

Premium Practice, May 1964, p. 82, Steamer.
House & Garden, Oct. 1973, p. 155, Measuring Cup.

Primary Examiner—Terry A. Pfeffer
Attorney, Agent, or Firm—Siegmar Silber

[57] CLAIM

The ornamental design for coffee strainer, as shown and described.

DESCRIPTION

FIG. 1 is a rear perspective view of a coffee strainer showing my new design;
 FIG. 2 is a top plan view thereof;
 FIG. 3 is a right side elevational view thereof, the opposite side being a mirror image;
 FIG. 4 is a front elevational view thereof;
 FIG. 5 is a bottom plan view thereof;
 FIG. 6 is a bottom plan view of an alternate embodiment of FIG. 1; and,
 FIG. 7 is a bottom plan view of an alternate embodiment of FIG. 1.

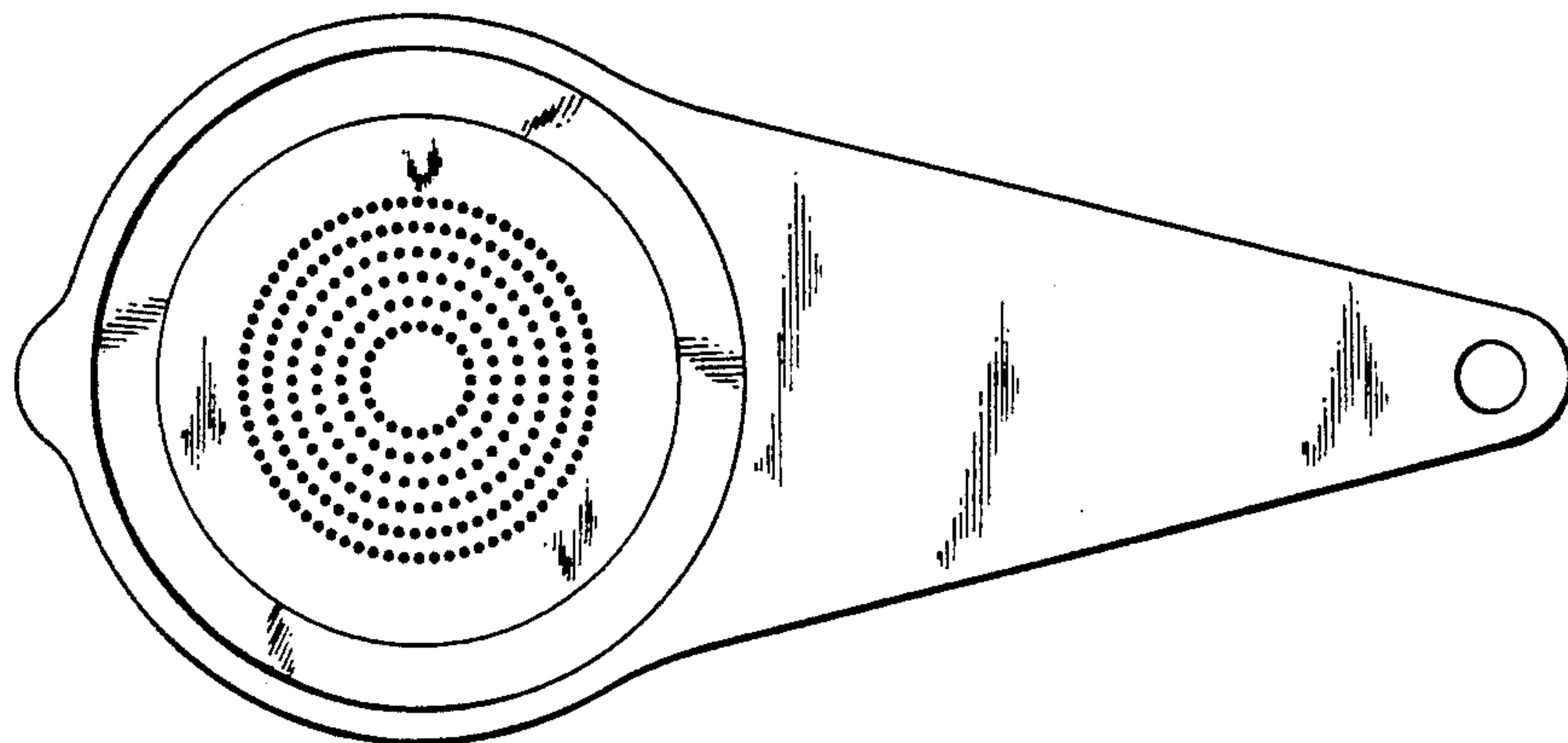
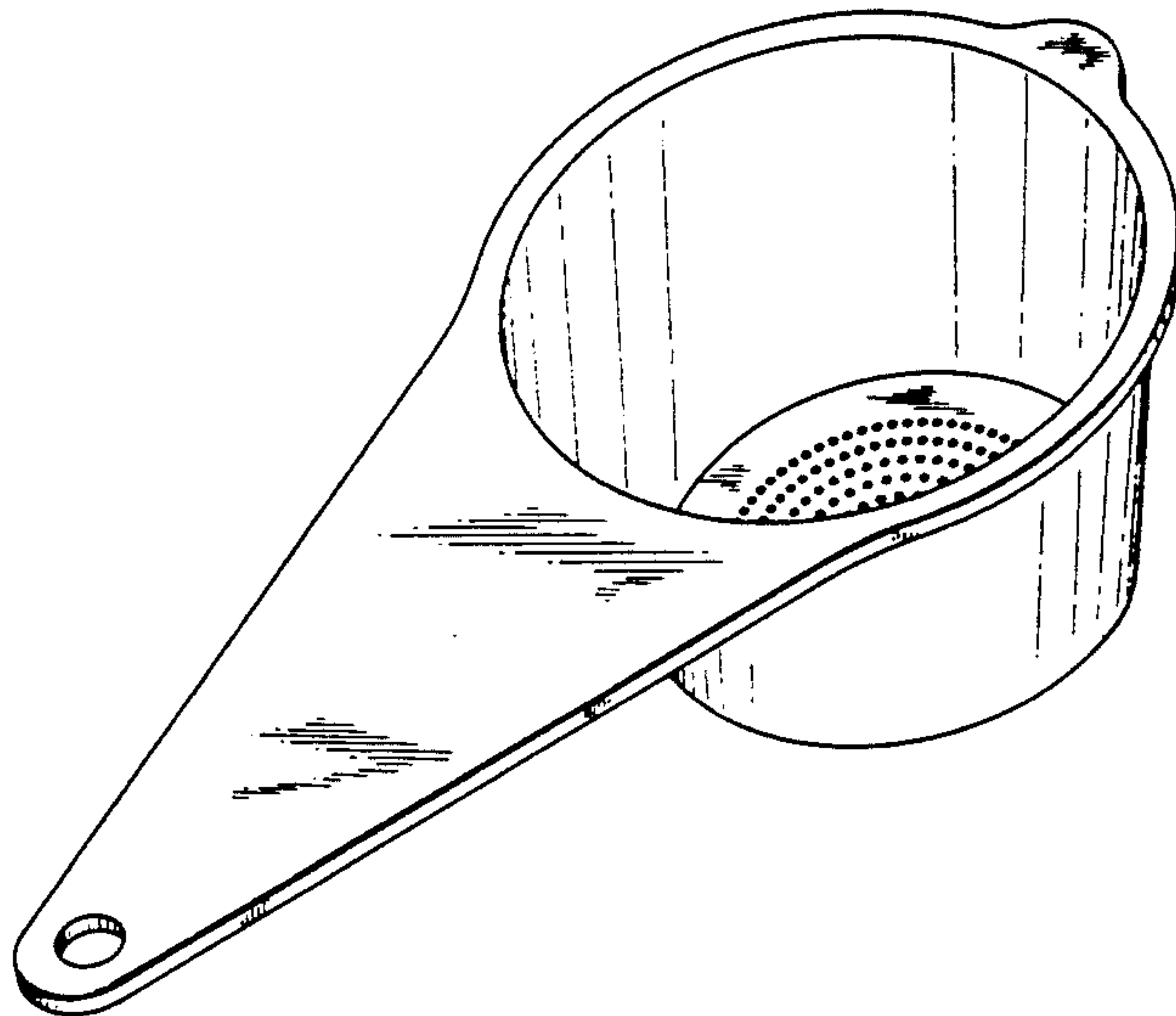


FIG. 1

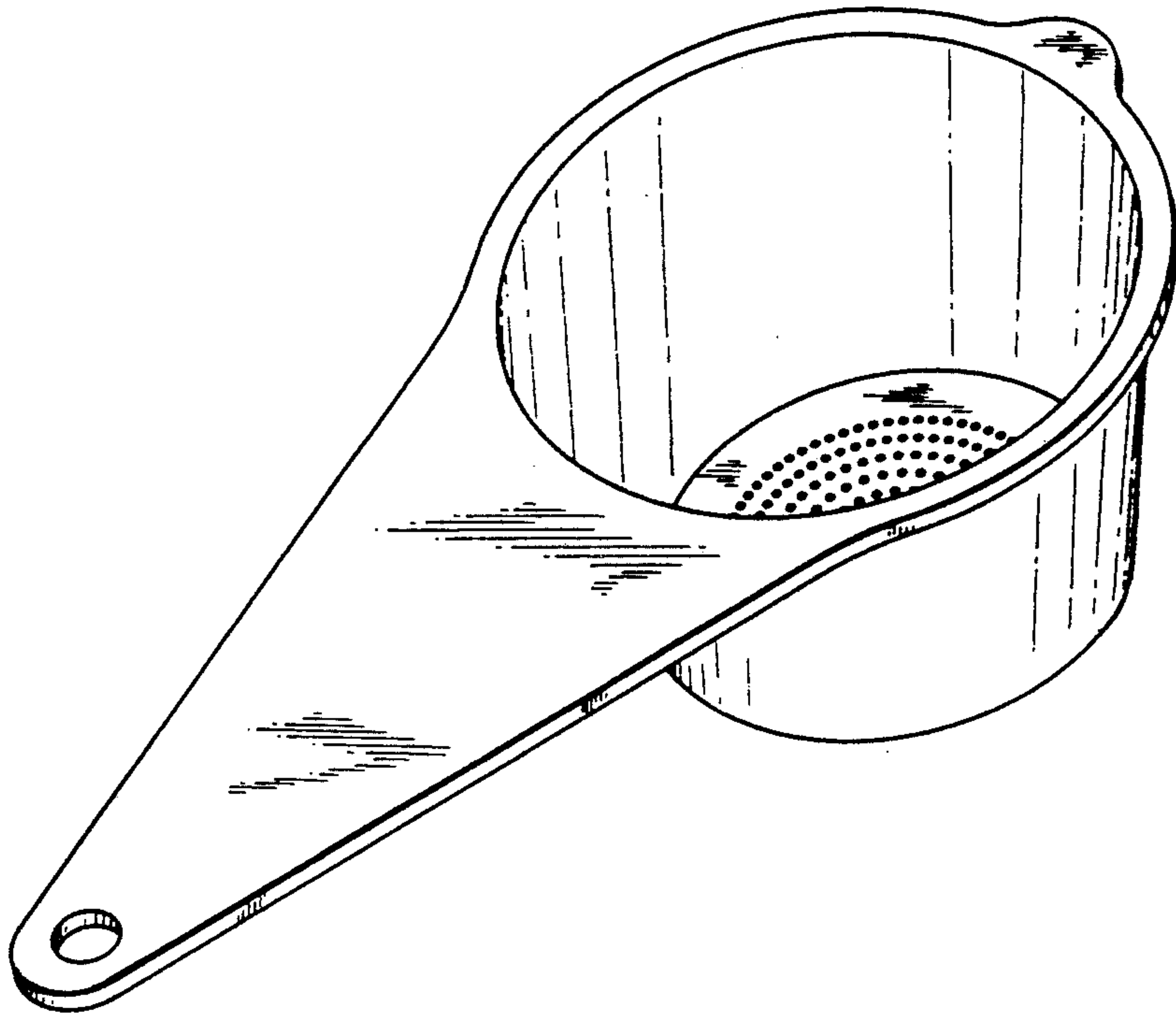


FIG. 2

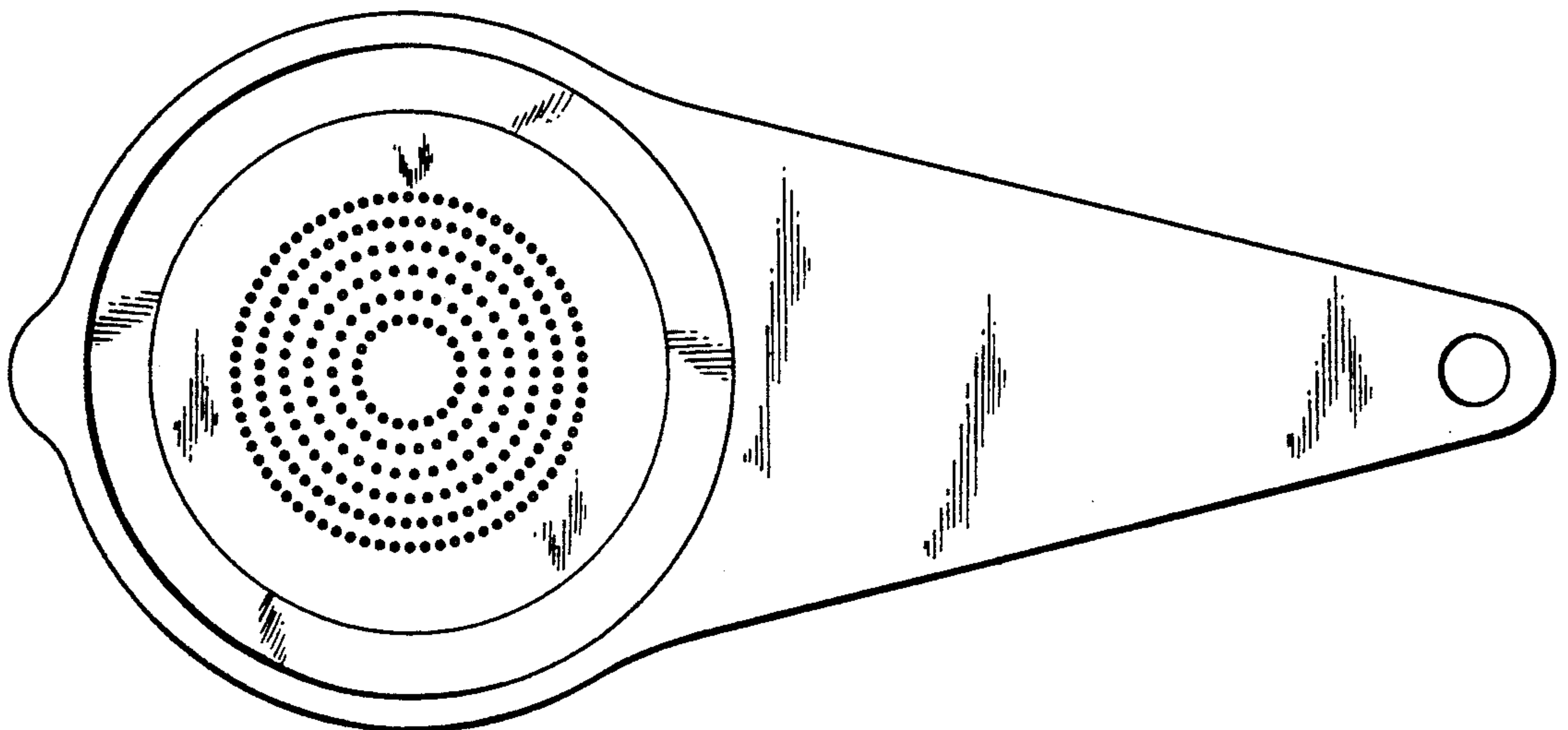


FIG. 3

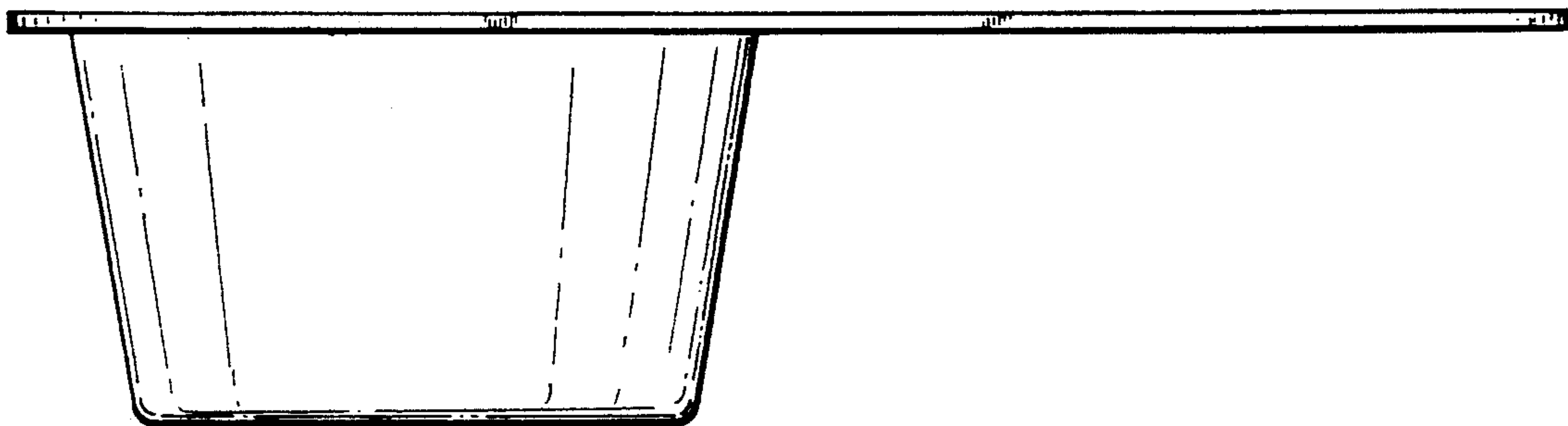


FIG. 4

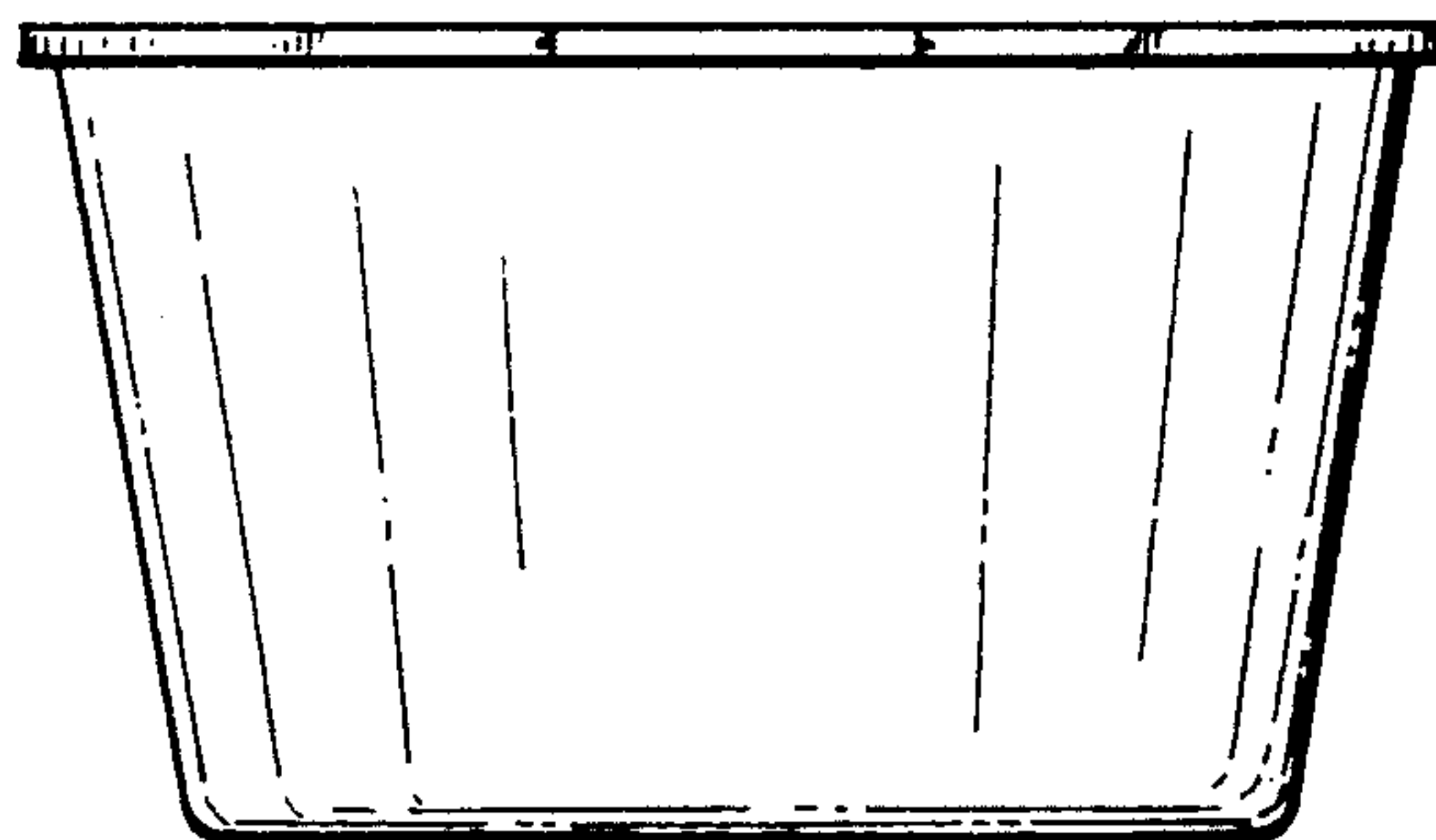


FIG. 5

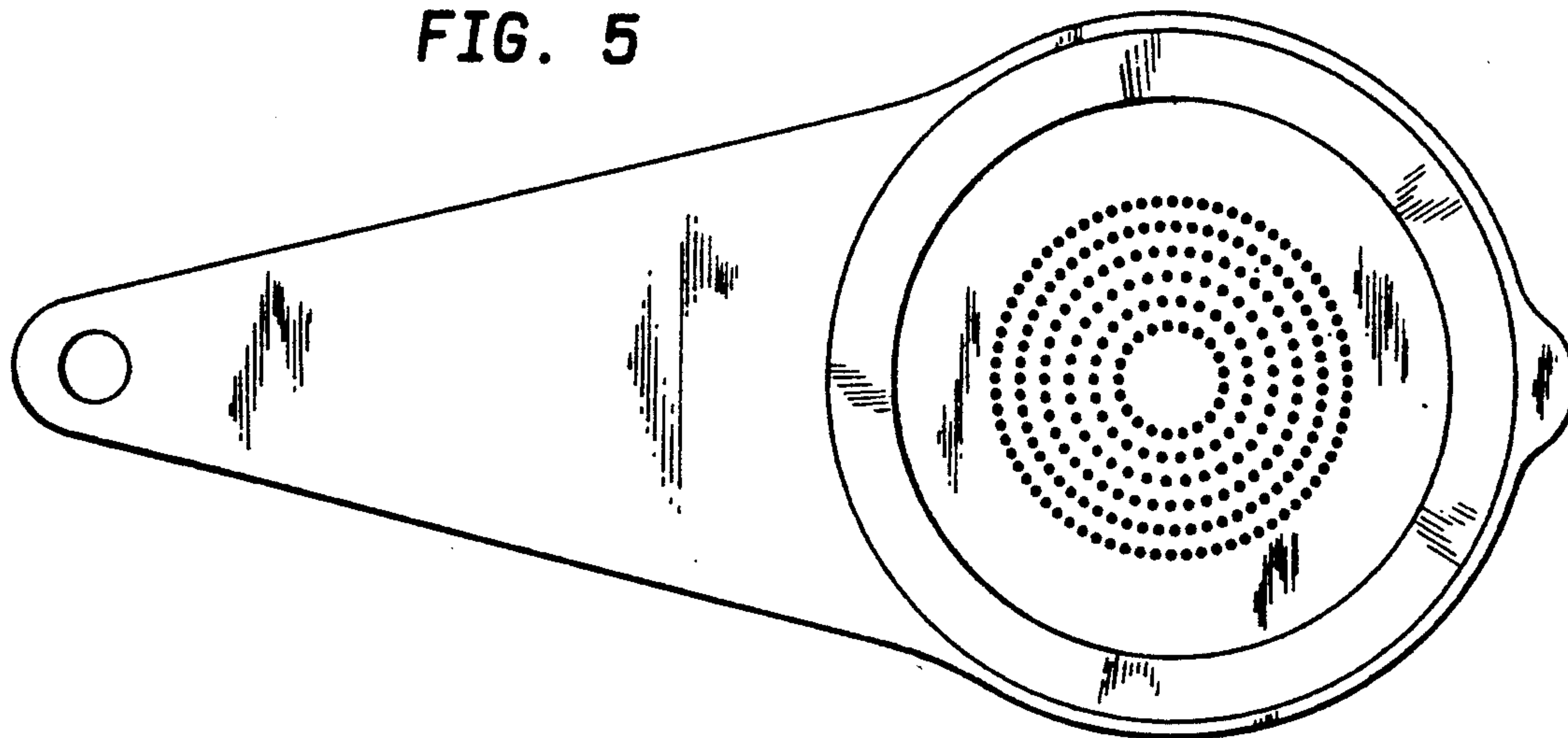


FIG. 6

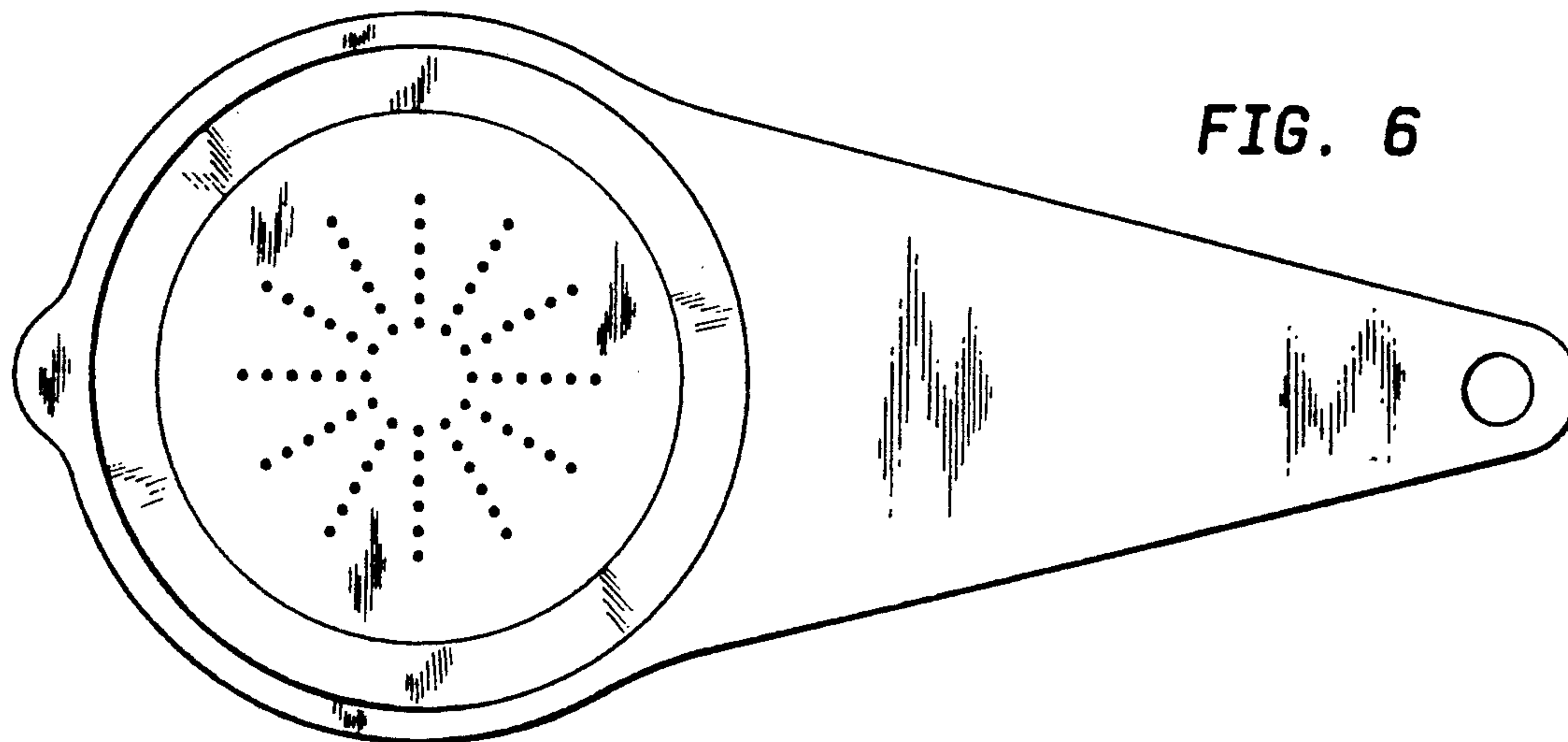


FIG. 7

