



US00D332374S

United States Patent [19]

[11] Patent Number: **Des. 332,374**

Saunders

[45] Date of Patent: **** Jan. 12, 1993**

[54] **BULK FOOD DISPENSER**

Primary Examiner—Terry A. Pfeffer

[76] Inventor: **Michael P. Saunders**, 86 Park Lane Crescent, London, Ontario, Canada, N6K 2T8

[57] **CLAIM**

The ornamental design for a bulk food dispenser, as shown and described.

[**] Term: **14 Years**

DESCRIPTION

[21] Appl. No.: **507,181**

[22] Filed: **Apr. 10, 1990**

[52] U.S. Cl. **D7;589**

[58] Field of Search D7/589; D20/1, 3, 7; 222/105, 181, 185

FIG. 1 is a front elevational view of a bulk food dispenser showing my new design;

FIG. 2 is a right side elevation view thereof; the opposite side being identical;

FIG. 3 is a rear elevational view thereof in an open position;

FIG. 4 is a bottom plan view thereof;

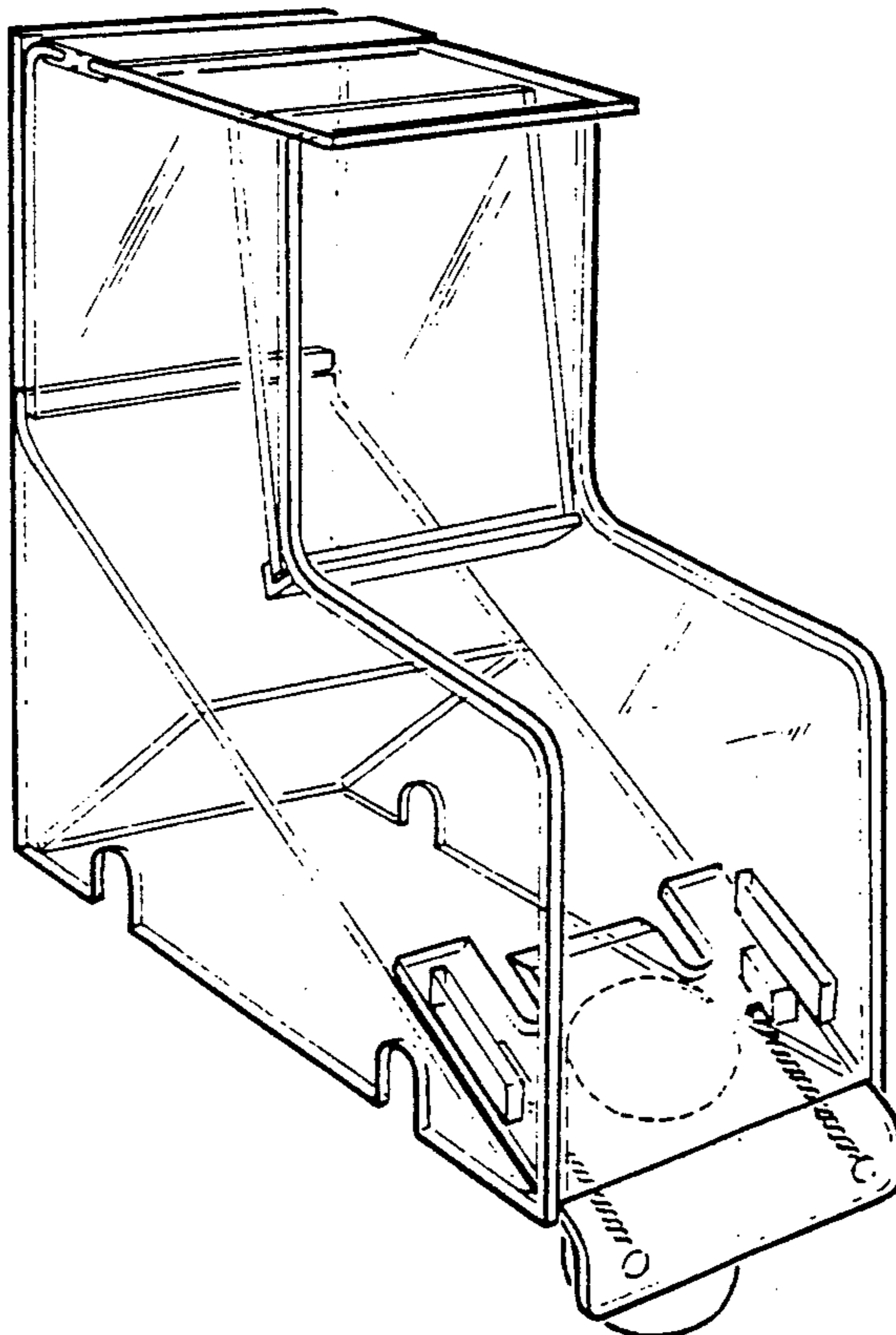
FIG. 5 is a top plan view thereof in an open position; and,

FIG. 6 is a perspective view thereof.

[56] **References Cited**

U.S. PATENT DOCUMENTS

D. 309,552 7/1990 Spring et al. D7/591



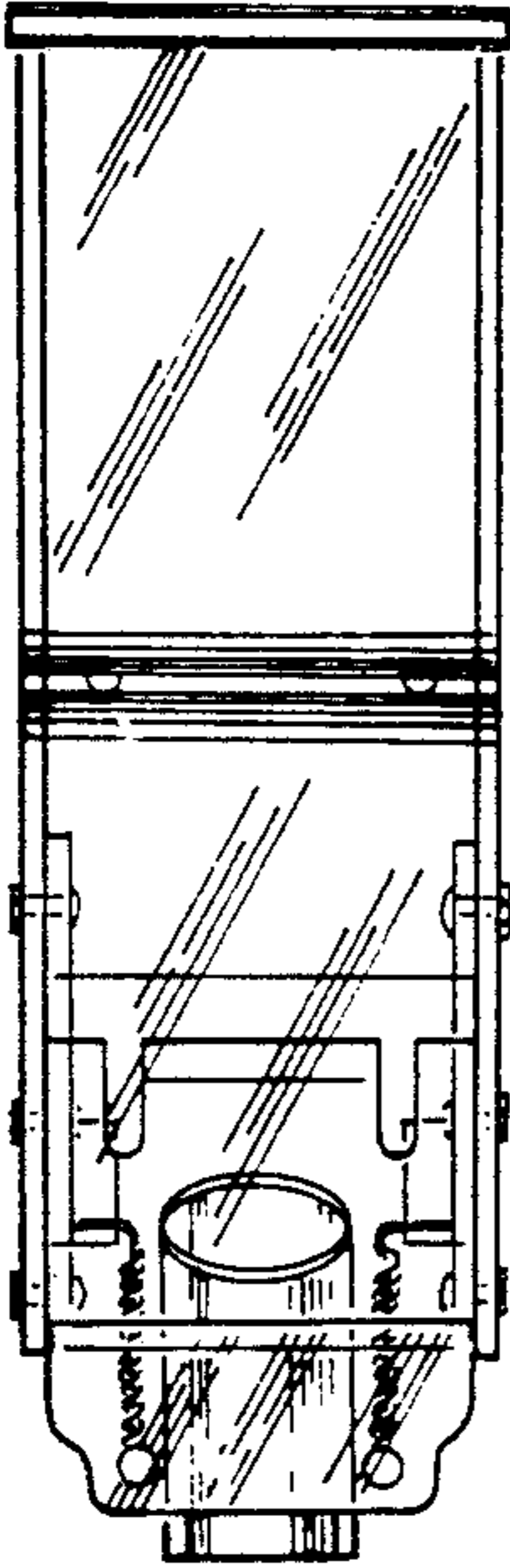


Fig 1

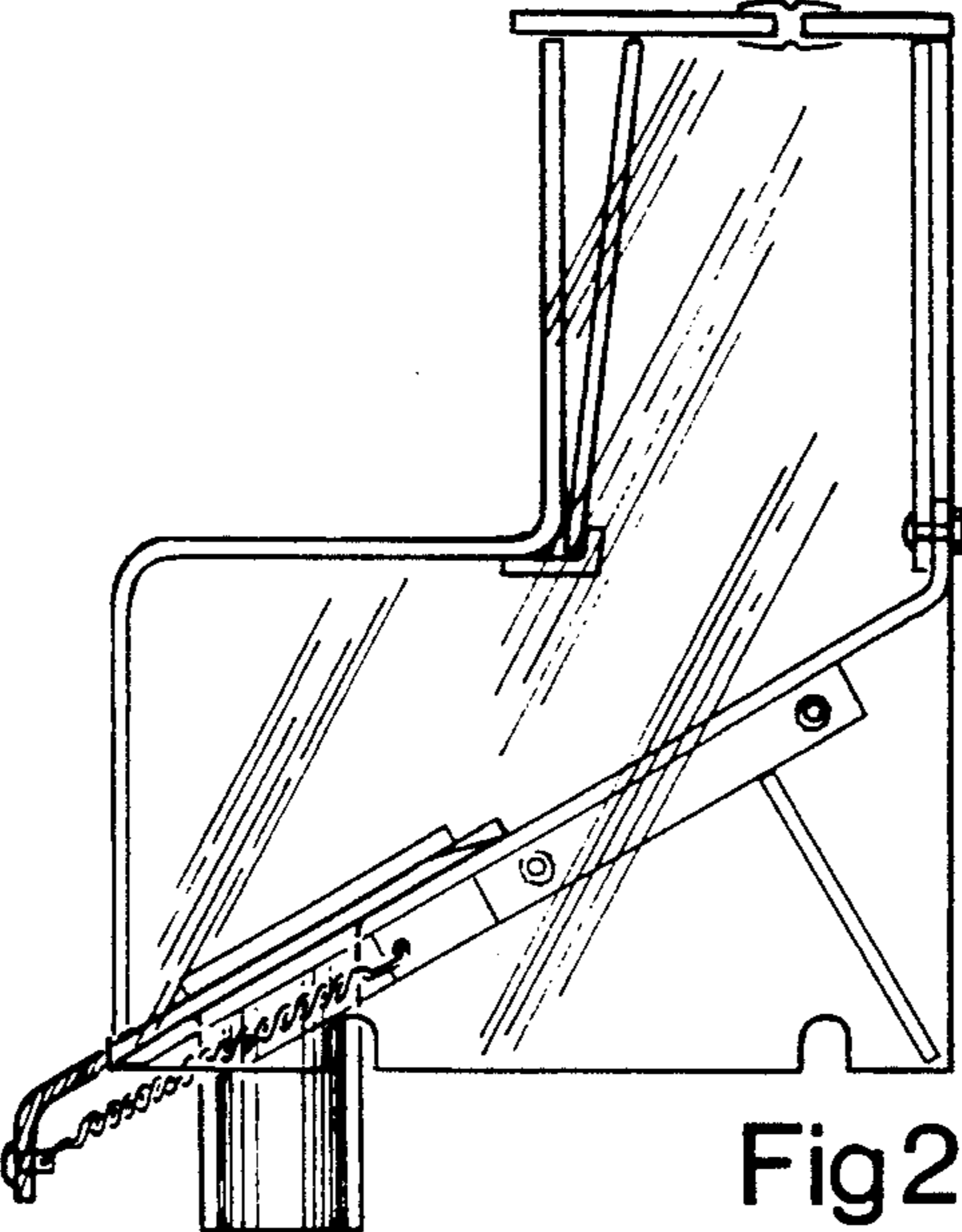


Fig 2

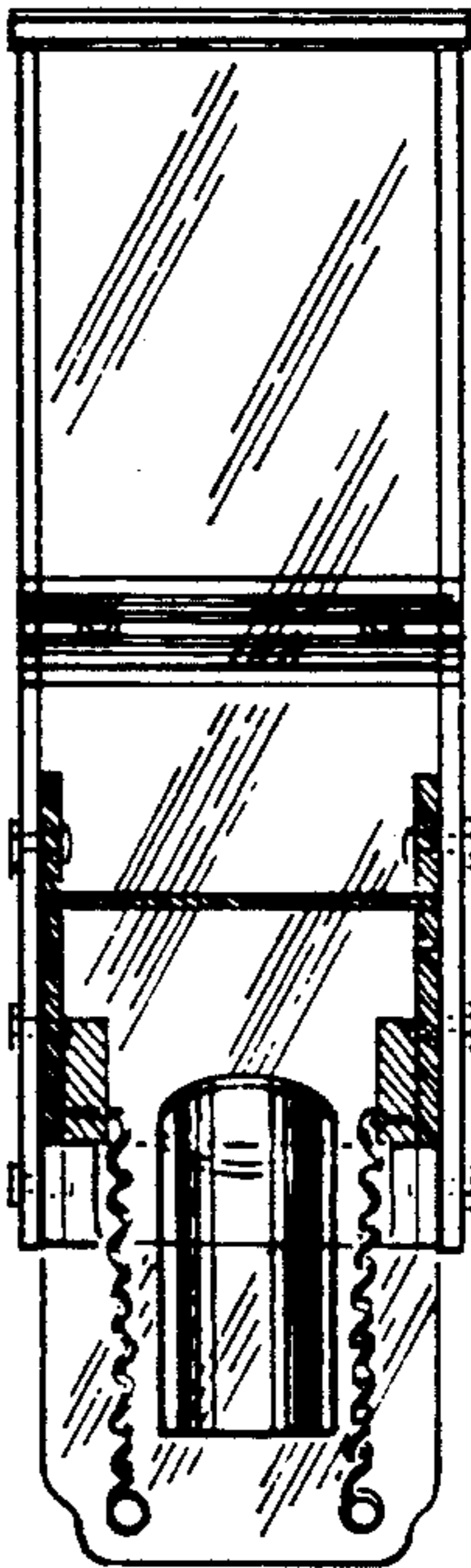


Fig 3

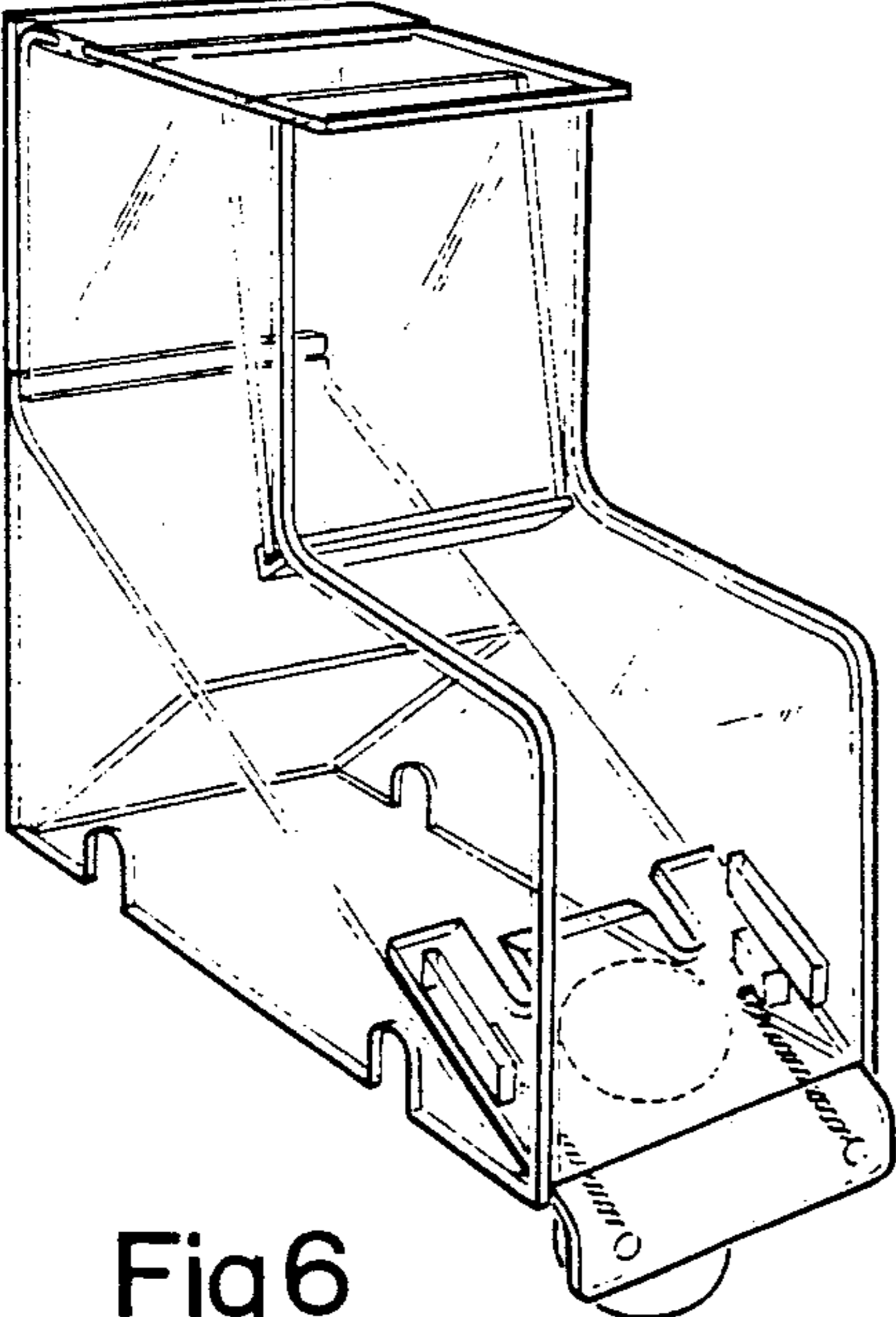


Fig 6

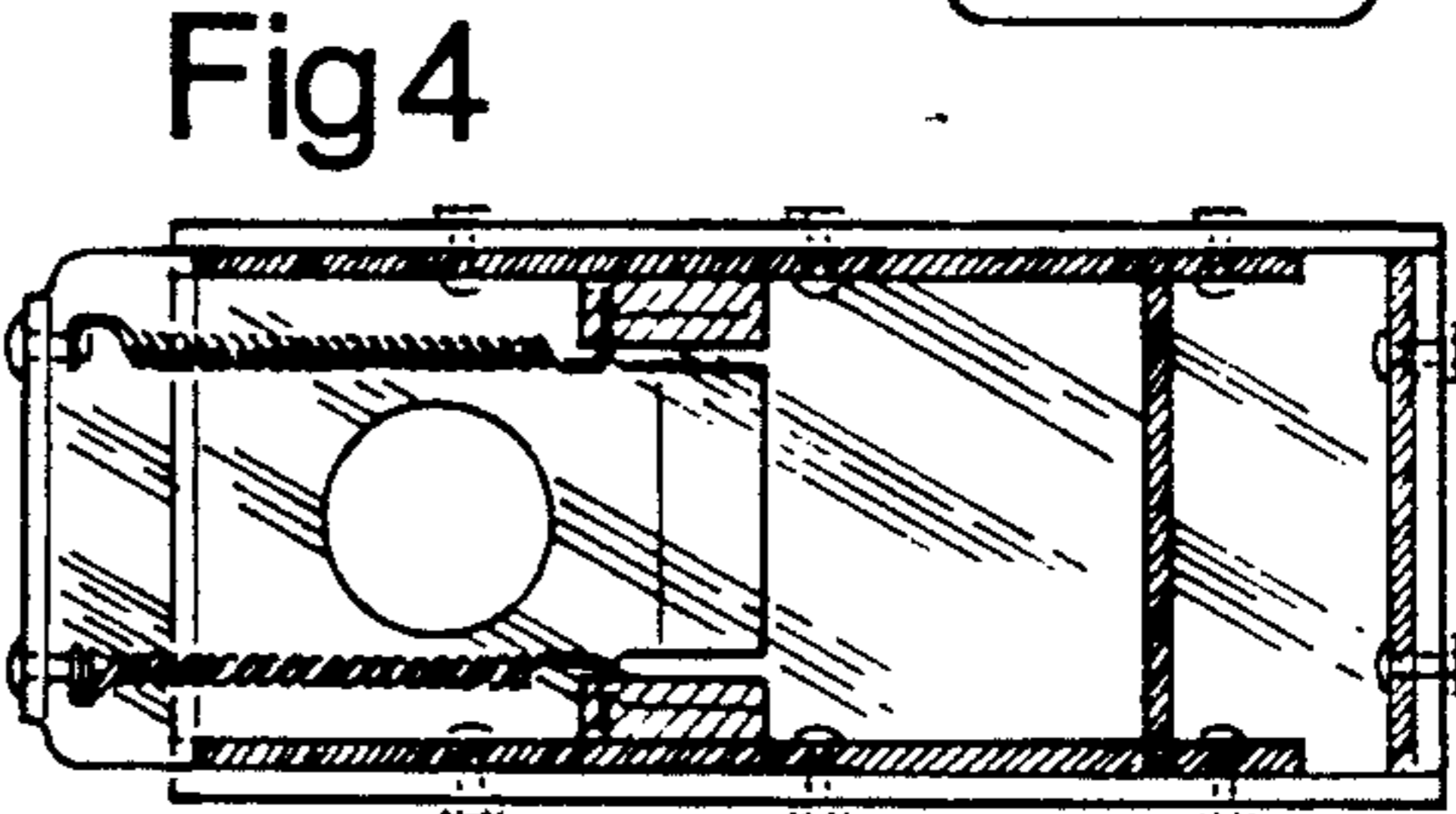


Fig 4

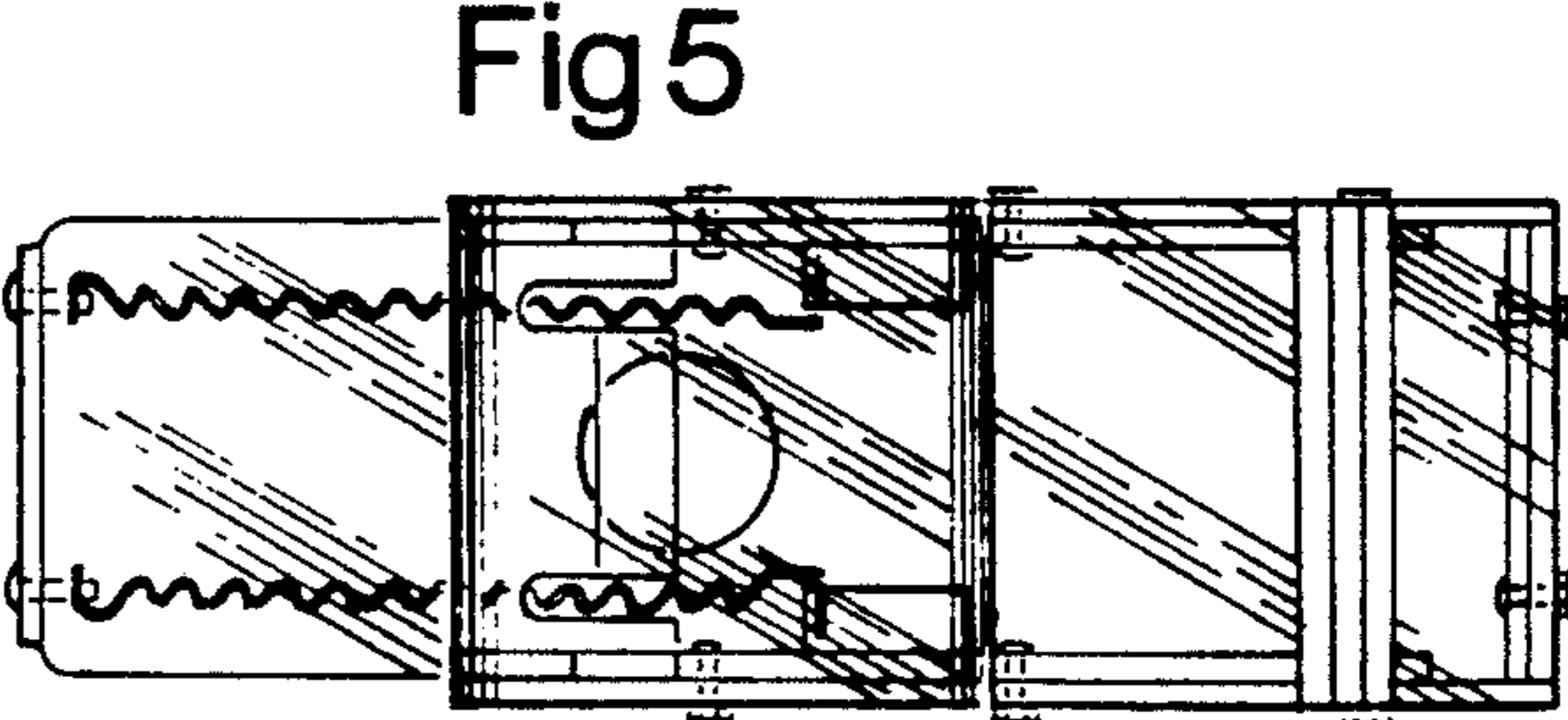


Fig 5