



US00D332364S

United States Patent [19]
Bennett

[11] **Patent Number: Des. 332,364**
[45] **Date of Patent: ** Jan. 12, 1993**

[54] **TABLE**

- [76] **Inventor:** Ward Bennett, One W. 72nd St., New York, N.Y. 10023
- [**] **Term:** 14 Years
- [21] **Appl. No.:** 443,347
- [22] **Filed:** Nov. 30, 1989
- [52] **U.S. Cl.** D6/487; D6/484; D6/429
- [58] **Field of Search** D6/480-489, D6/495, 499, 429-431, 455, 441; 108/115

[56] **References Cited**

U.S. PATENT DOCUMENTS

- D. 194,573 2/1963 Ovendale D6/429 X
- D. 208,709 9/1967 Barecki D6/422 X
- D. 294,666 3/1988 Favaretto et al. D6/487
- D. 317,096 5/1991 McIvor D6/429 X

OTHER PUBLICATIONS

Interiors—May 1965, p. 120, table at top.
Primary Examiner—Nelson C. Holtje
Assistant Examiner—Janice E. Seeger
Attorney, Agent, or Firm—Hoffman, Wasson & Gitler

[57] **CLAIM**

The ornamental design for a table, as shown and described.

DESCRIPTION

FIG. 1 is a top plan view of a table, showing may new design;
 FIG. 2 is a bottom plan view;
 FIG. 3 is a side elevational view;
 FIG. 4 is an elevational view, showing the side not shown in FIG. 3;
 FIG. 5 is an end elevational view;
 FIG. 6 is an elevational view, showing the end not shown in FIG. 5; and,
 FIG. 7 is a bottom perspective view thereof.

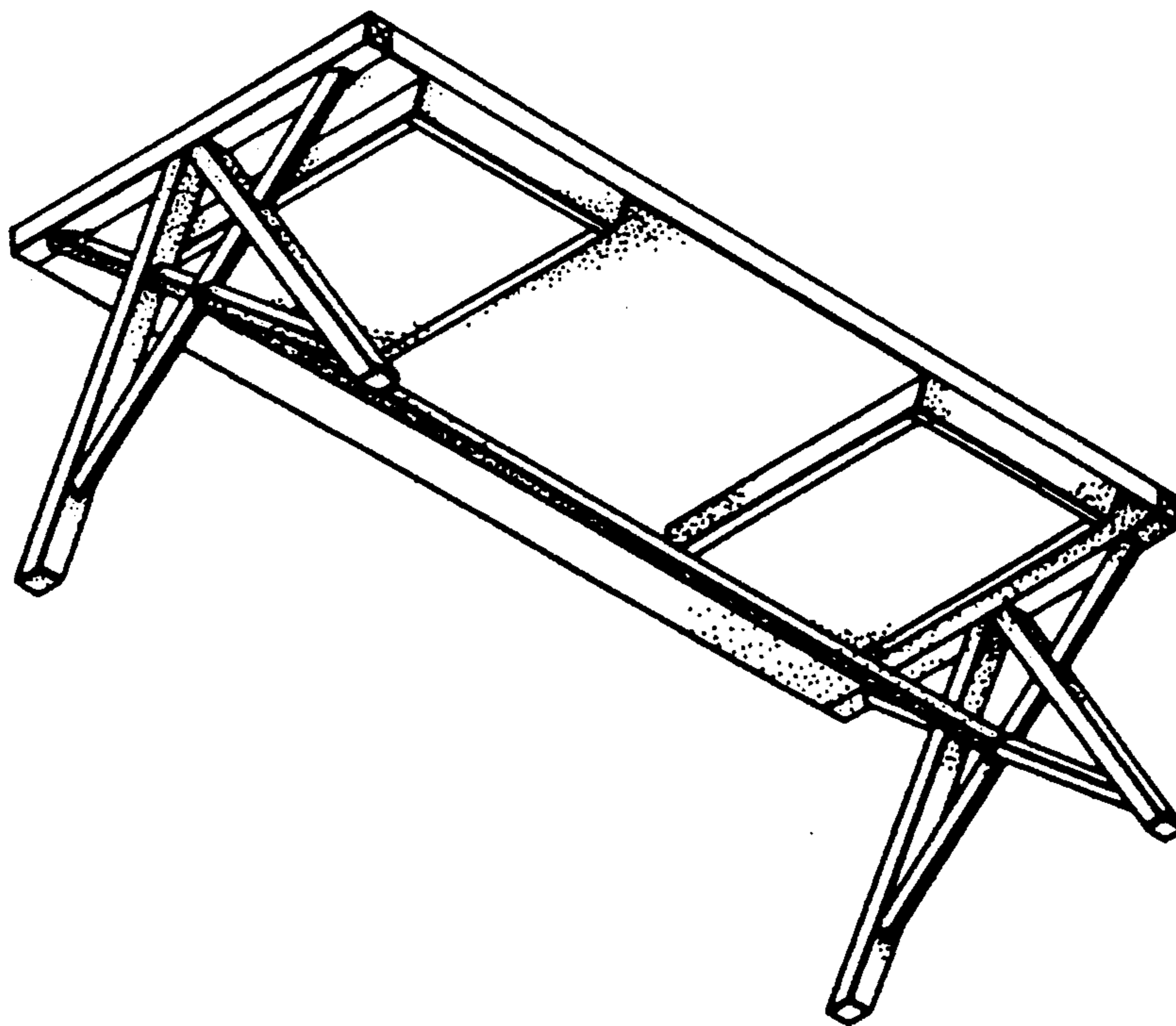
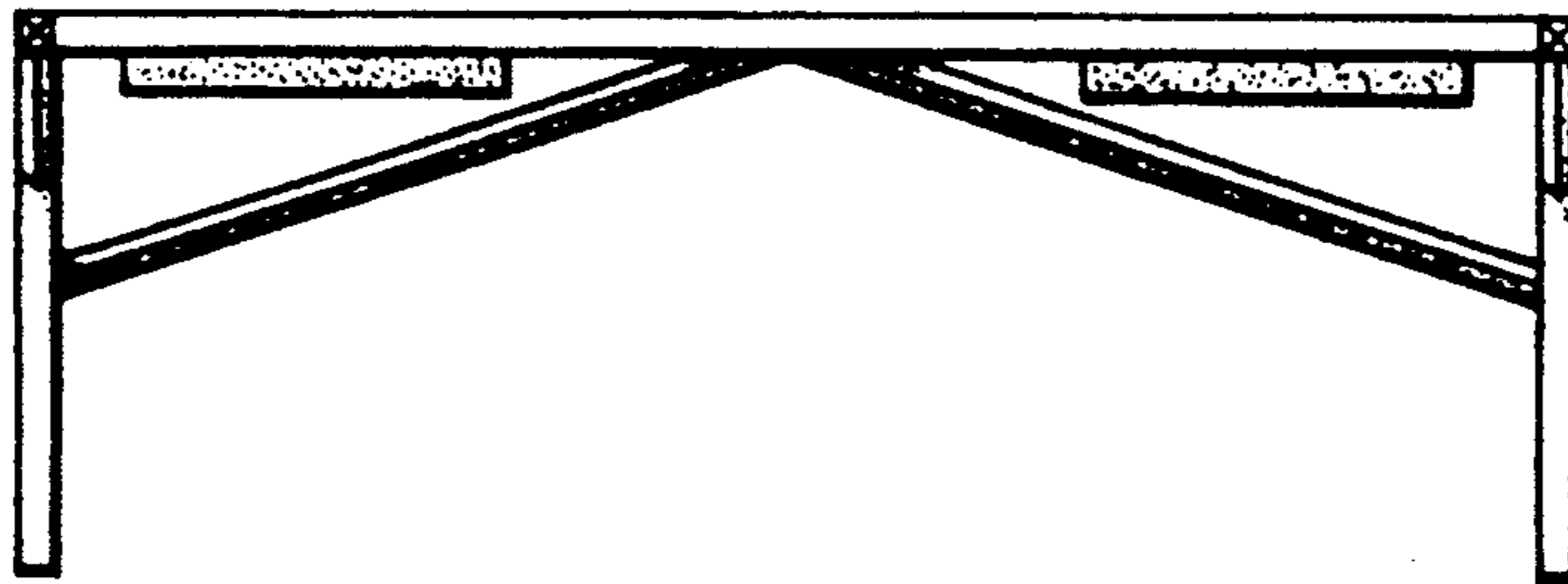


FIG. 1

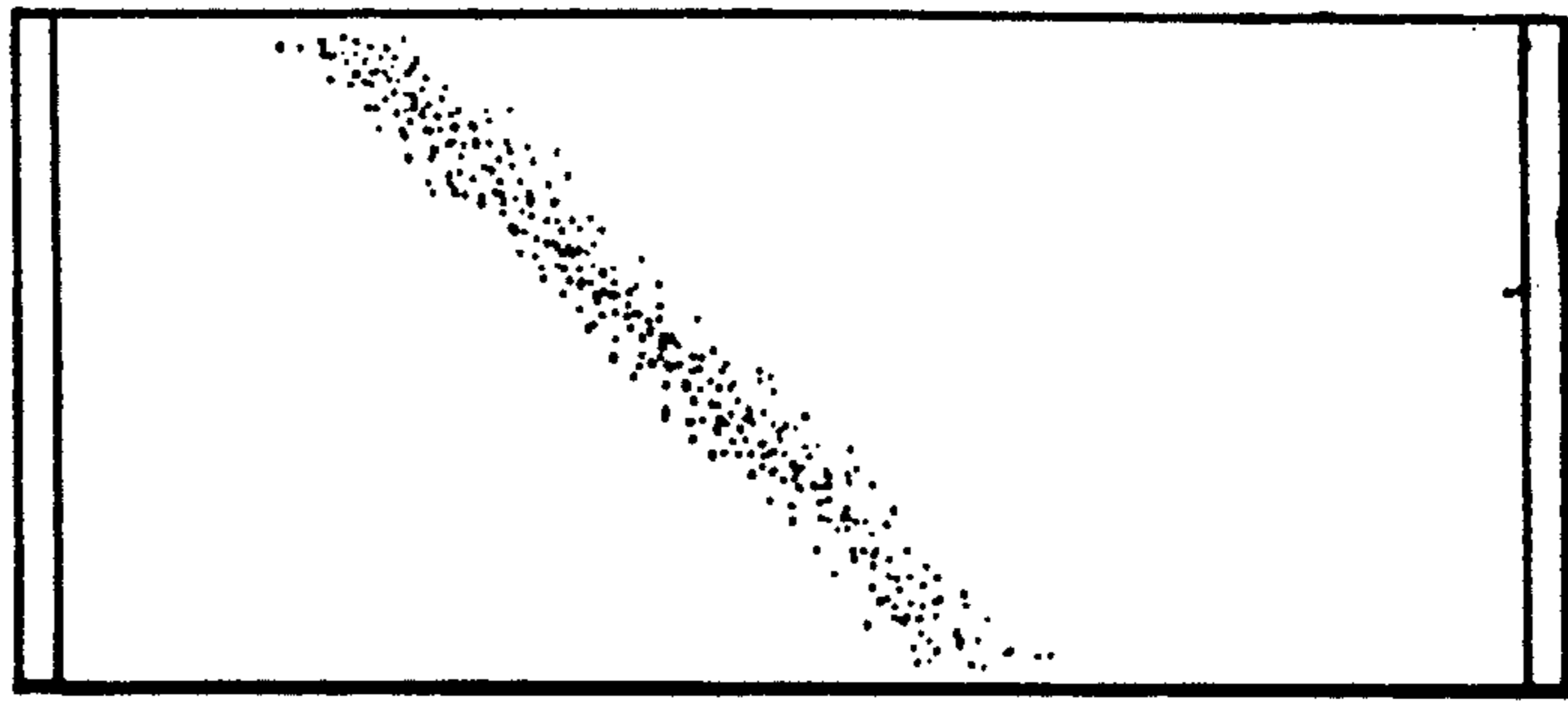


FIG. 2

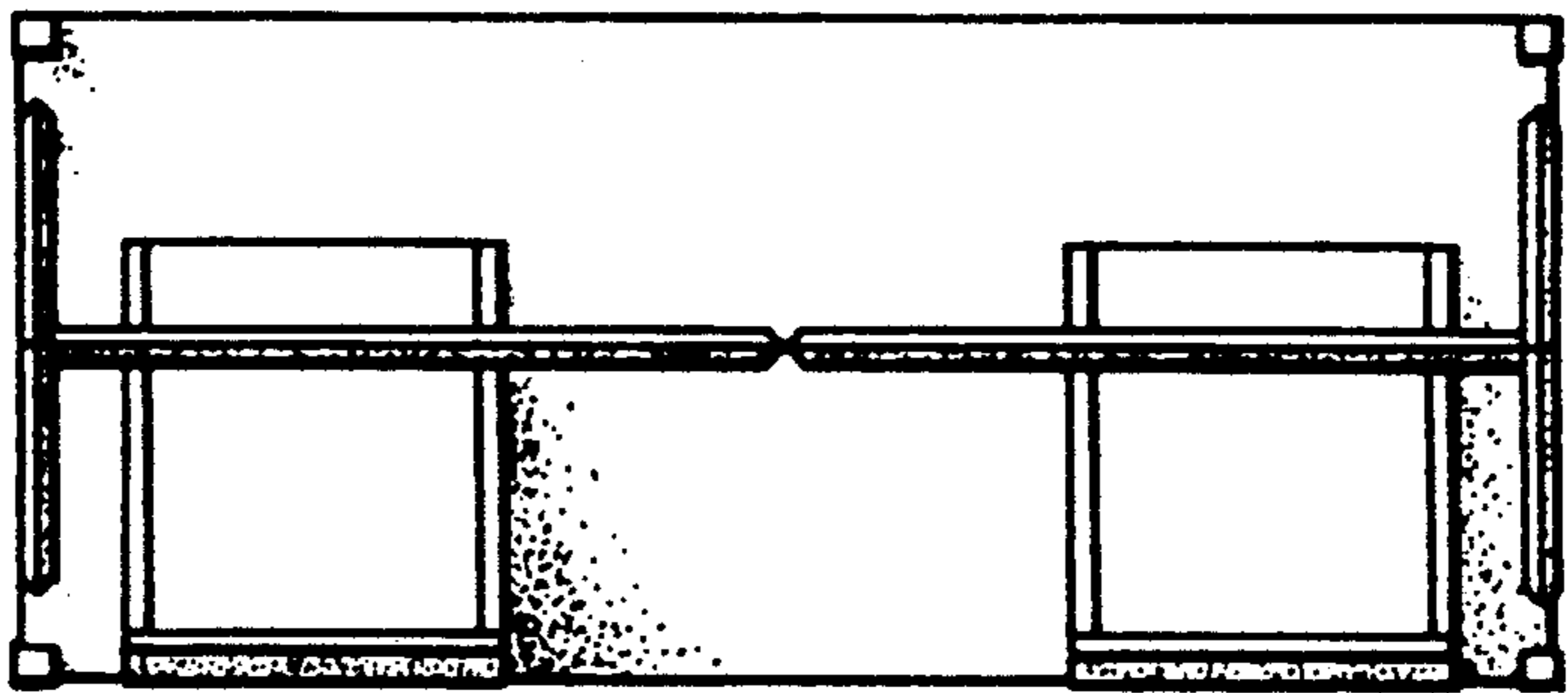


FIG. 3

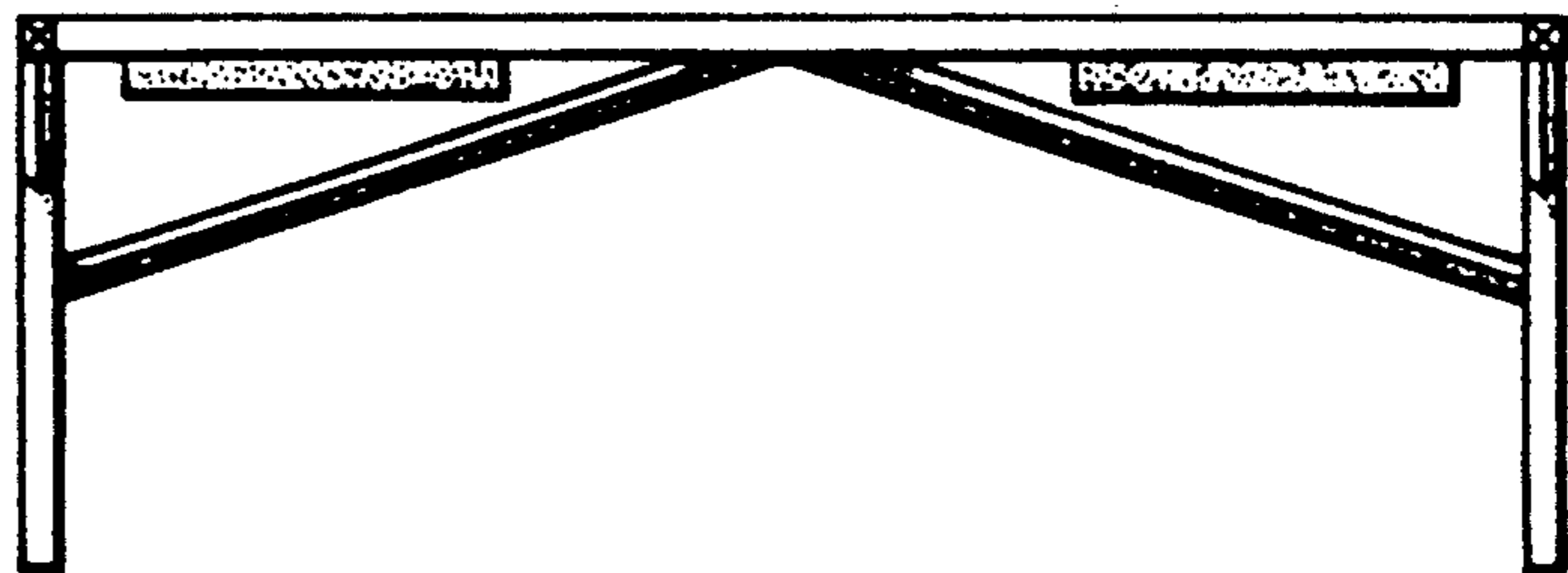


FIG. 4

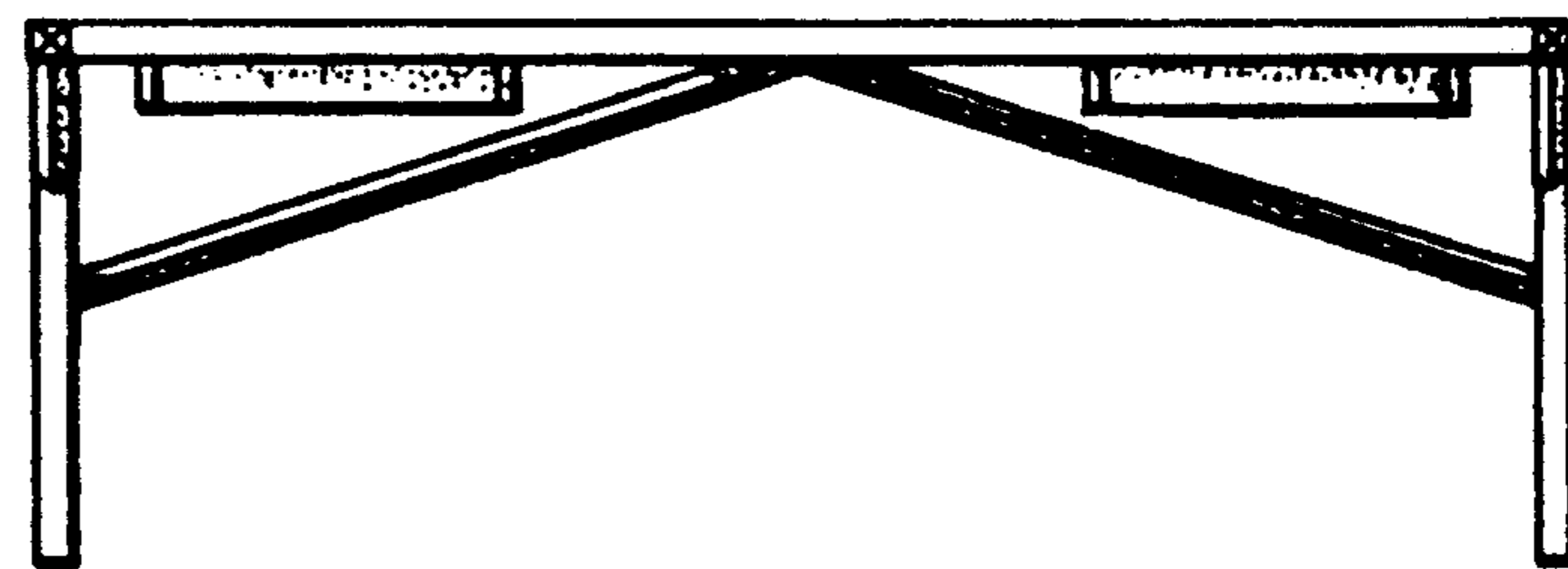


FIG. 5

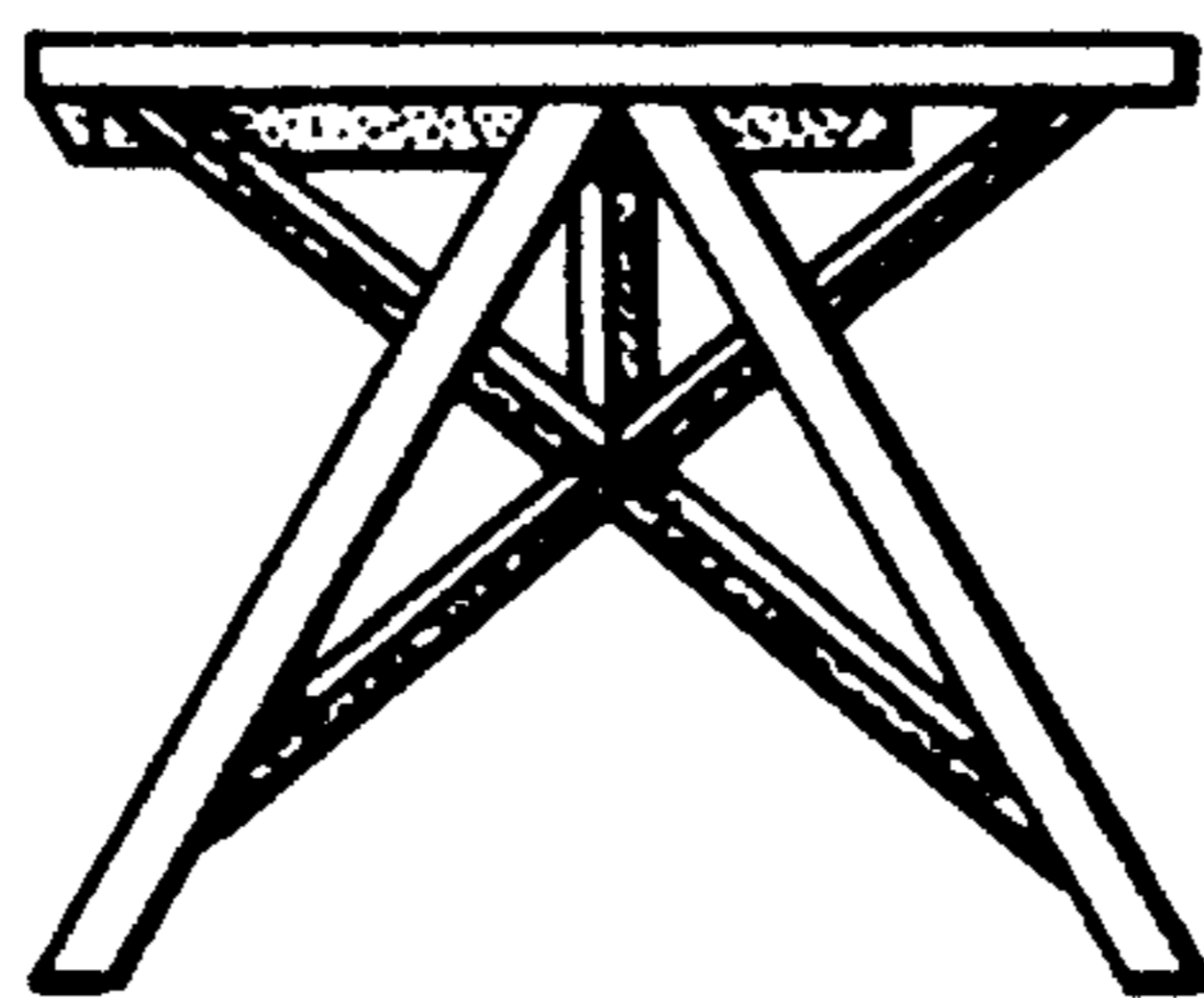
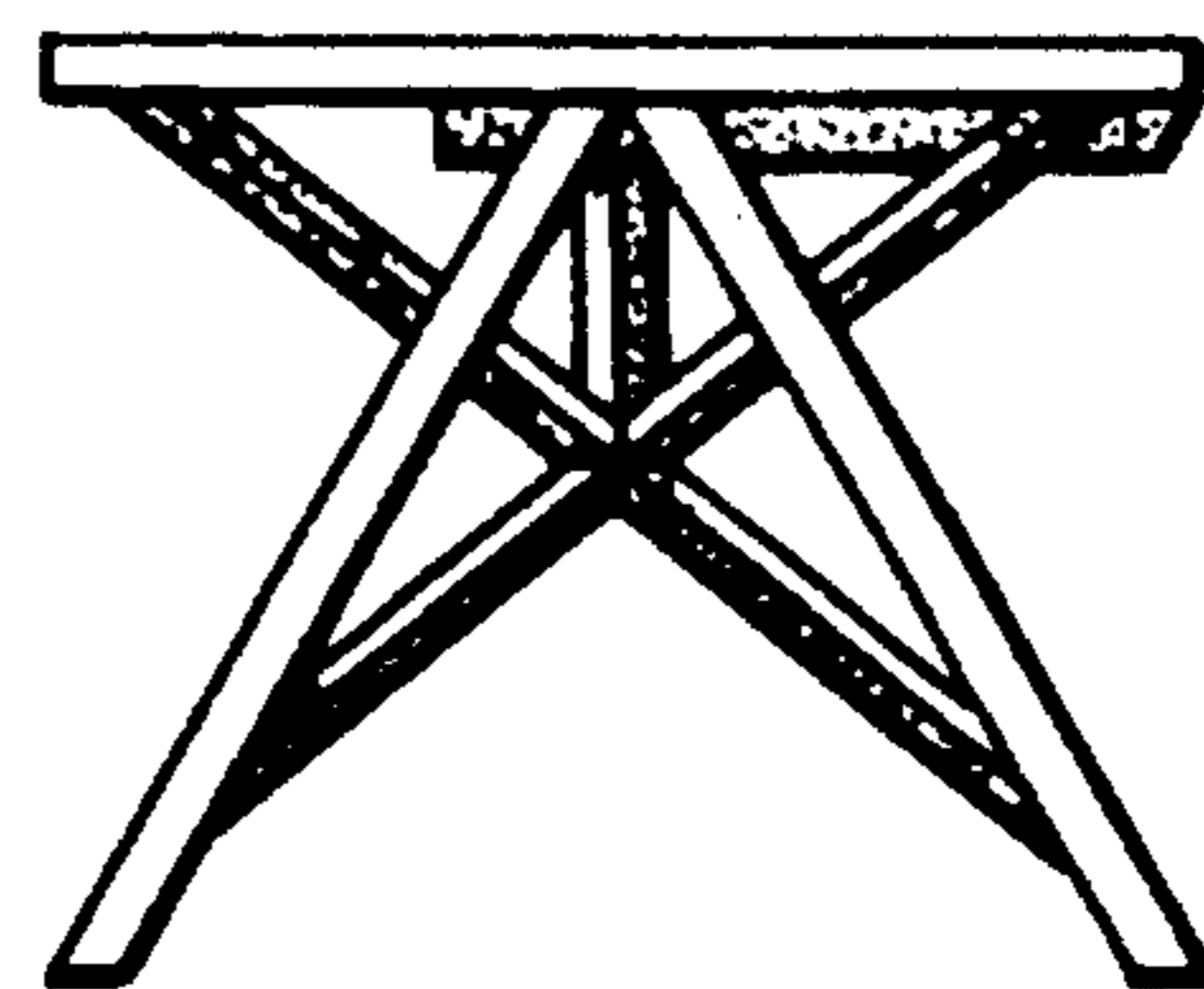


FIG. 6



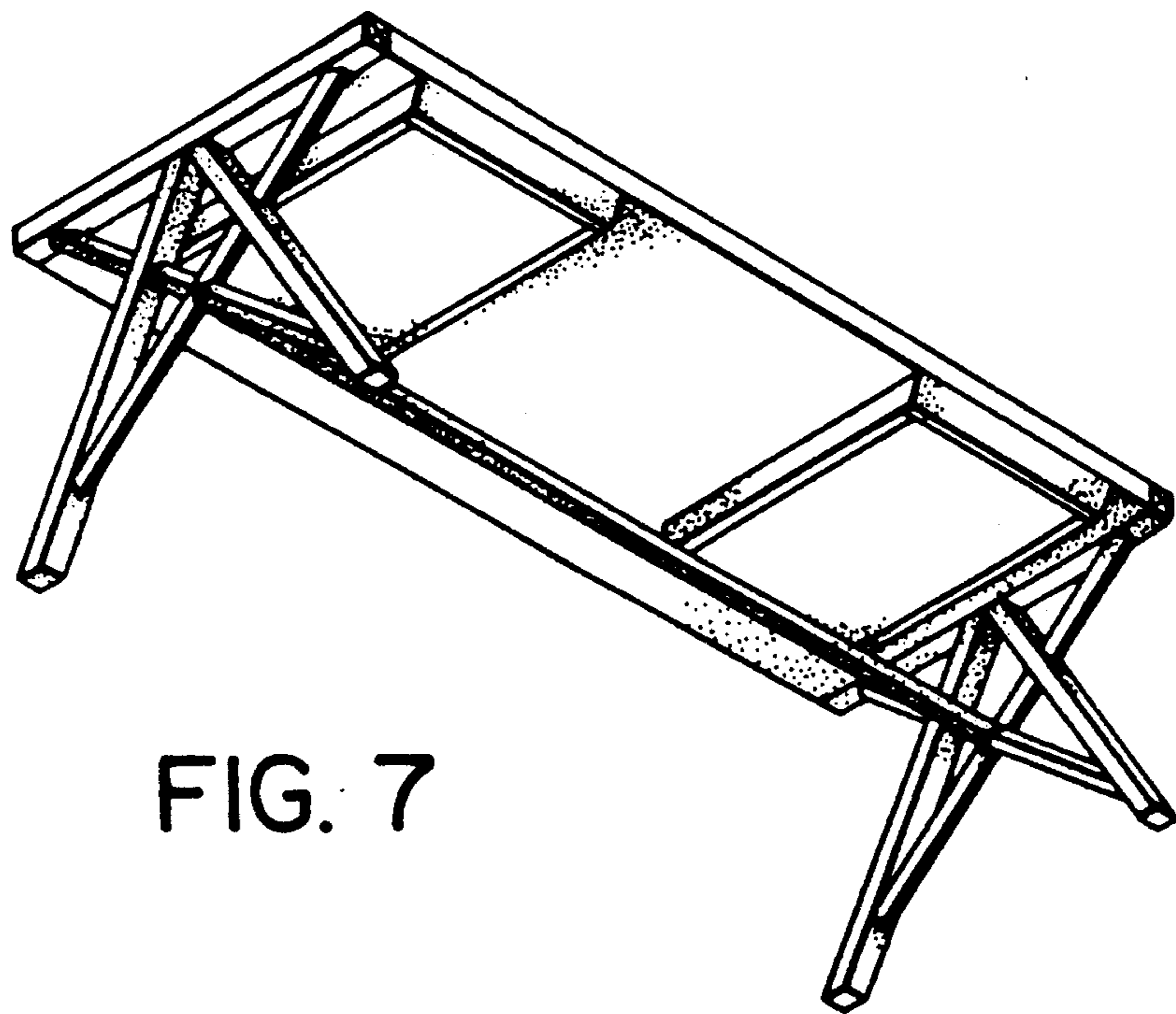


FIG. 7