



US00D332363S

United States Patent [19]

[11] Patent Number: **Des. 332,363**

Hollein

[45] Date of Patent: **** Jan. 12, 1993**

[54] **TABLE**

[75] Inventor: **Hans Hollein**, Vienna, Austria

[73] Assignee: **Westinghouse Electric Corp.**,
Pittsburgh, Pa.

[**] Term: **14 Years**

[21] Appl. No.: **95,337**

[22] Filed: **Sep. 10, 1987**

[52] U.S. Cl. **D6/484; D6/487**

[58] Field of Search **D6/480, 482-488,**
D6/495, 498-499; 108/115

D. 306,109 2/1990 Borsani D6/480 X

OTHER PUBLICATIONS

Arbitare Supplement, Mar. 1982, p. 31, Table at top left.

Primary Examiner—Nelson C. Holtje

Assistant Examiner—Janice E. Seeger

Attorney, Agent, or Firm—L. A. DePaul

[57] **CLAIM**

The ornamental design for a table, as shown and described.

DESCRIPTION

FIG. 1 is a top plan view of a table, showing my new design;

FIG. 2 is a side elevational view, the opposite side being identical thereto;

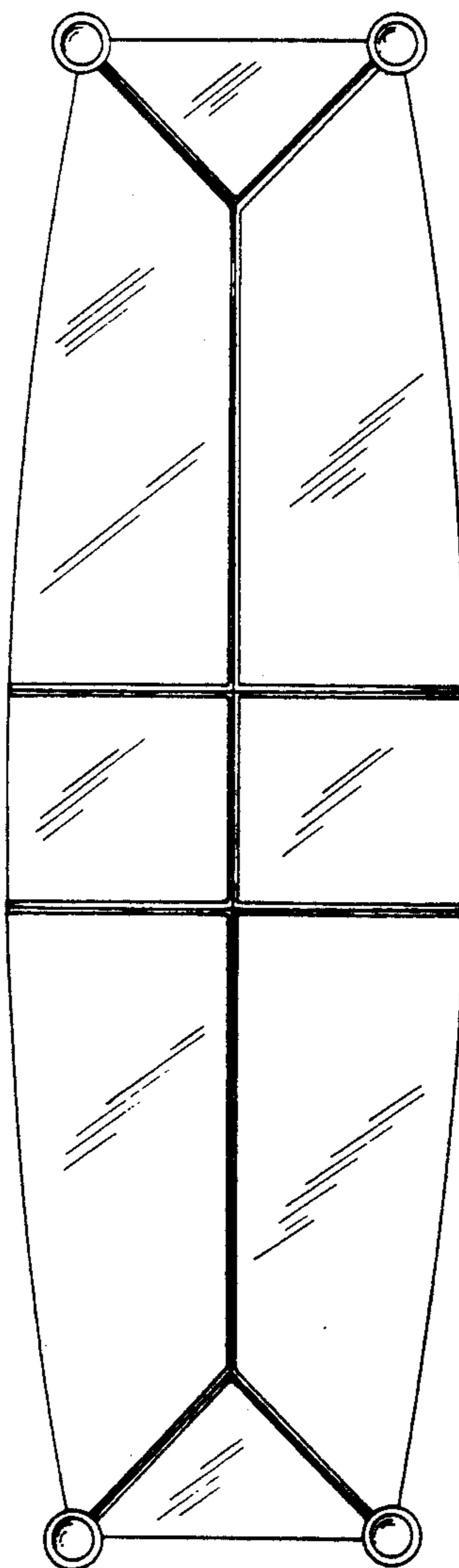
FIG. 3 is an end elevational view, the opposite end being identical thereto; and,

FIG. 4 is a perspective view thereof.

[56] **References Cited**

U.S. PATENT DOCUMENTS

- D. 225,712 1/1973 McDonald D6/484
- D. 228,106 8/1973 Klotz et al. D6/484
- D. 271,354 11/1983 Lerner et al. D6/480
- D. 278,577 4/1985 Gwathmey et al. D6/484



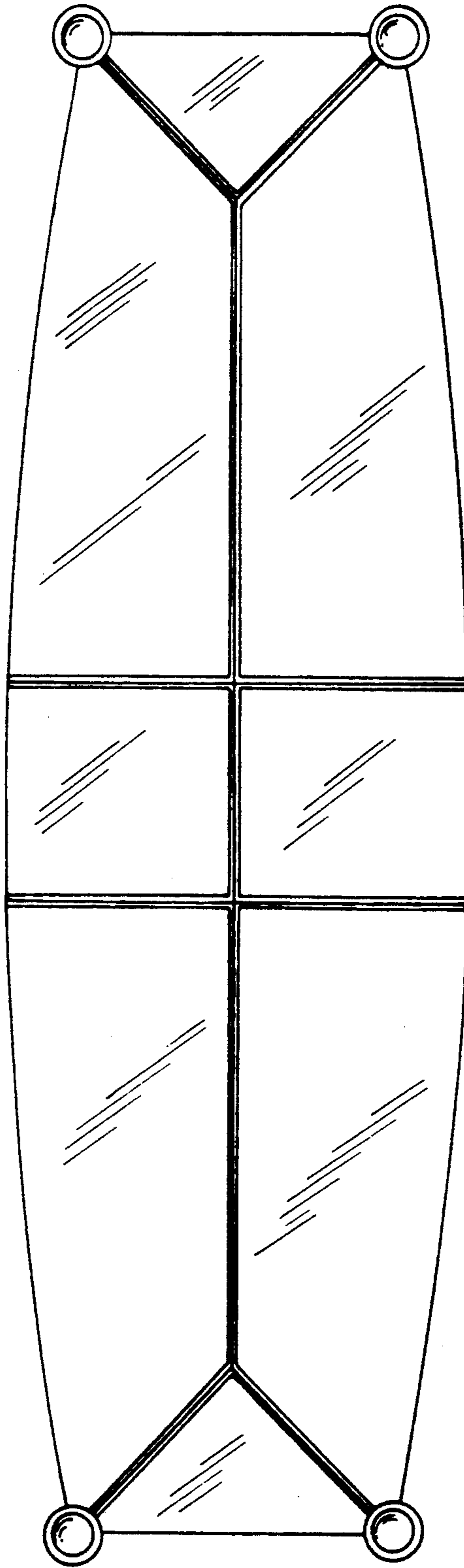


FIG. 1

FIG. 2

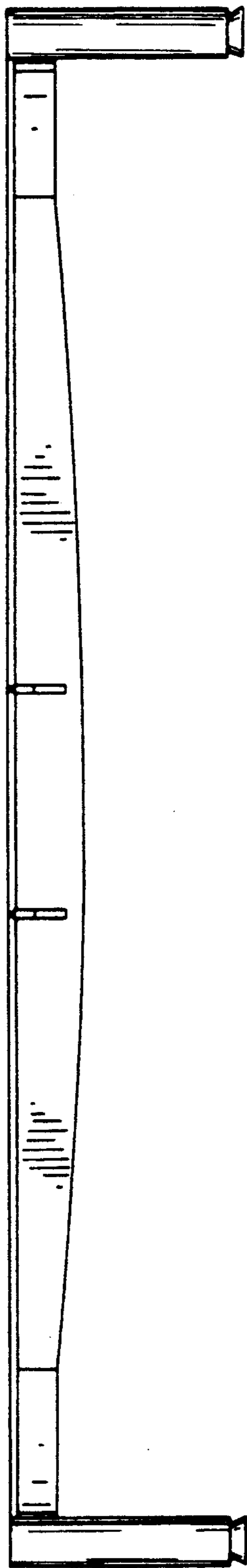
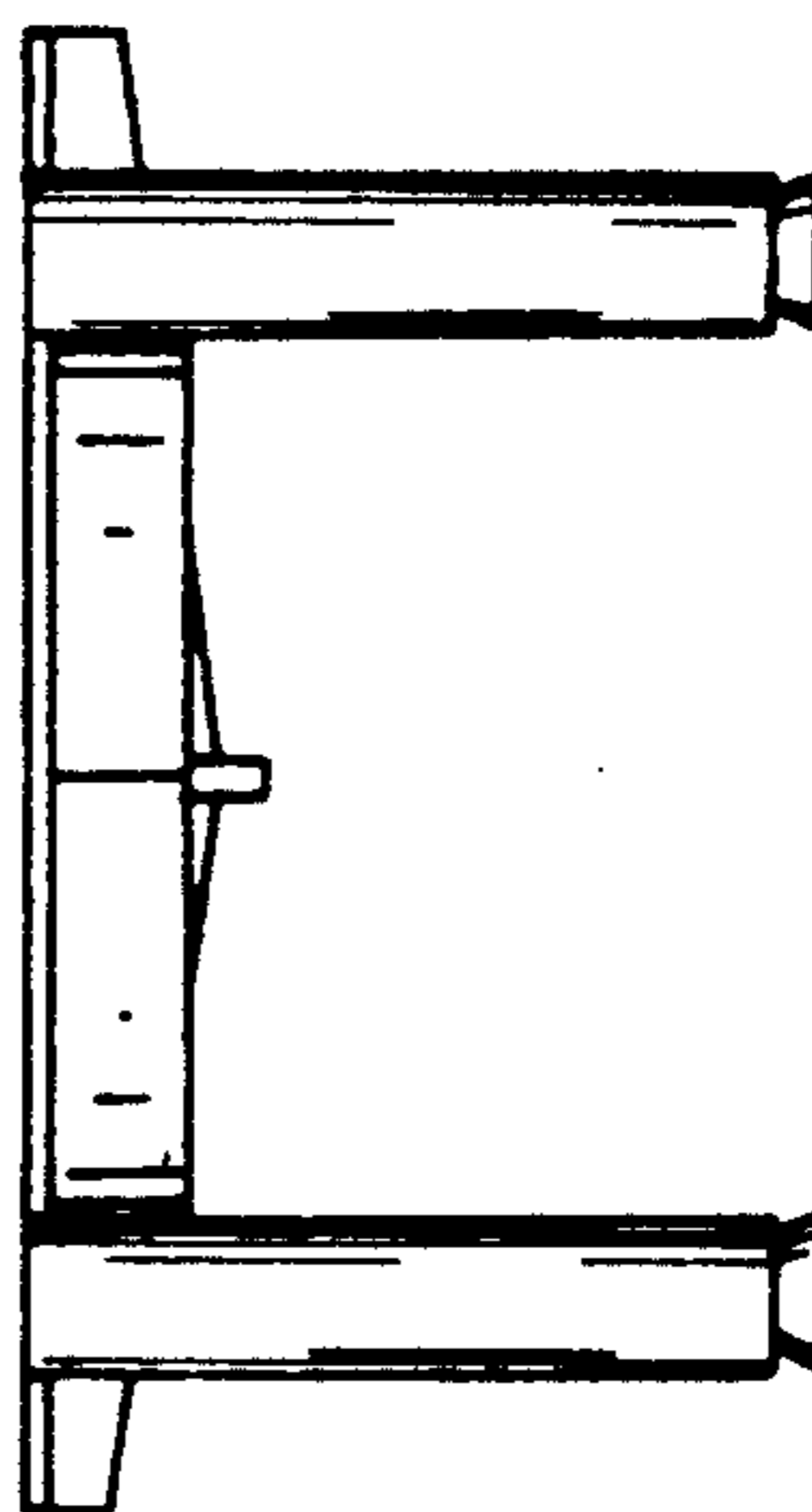


FIG. 3



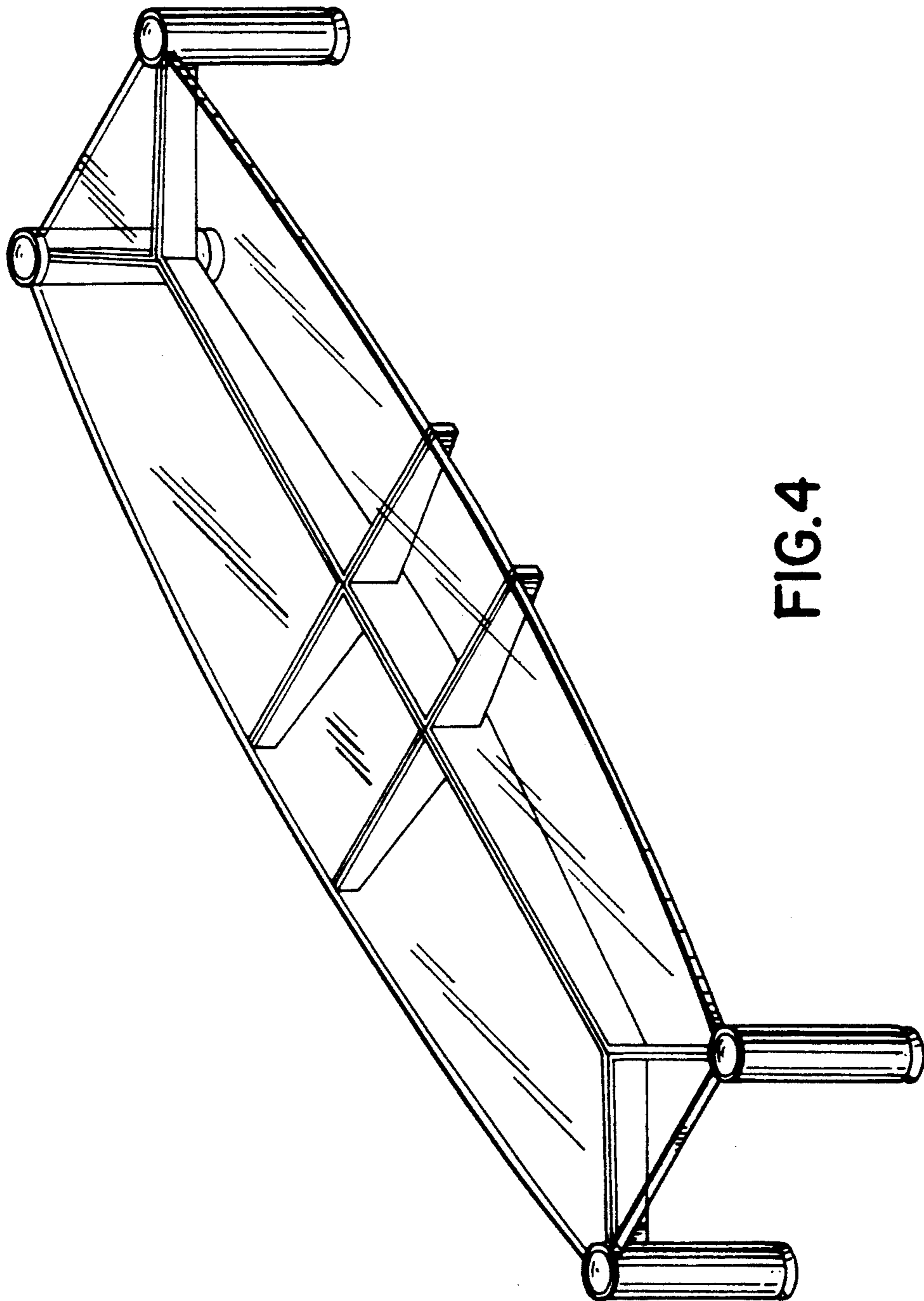


FIG.4