



US00D332362S

United States Patent [19]

[11] Patent Number: **Des. 332,362**

Lewis

[45] Date of Patent: **** Jan. 12, 1993**

[54] TABLE

[76] Inventor: **Sally S. Lewis**, 8950 St. Ives Dr., Los Angeles, Calif. 90069

[**] Term: **14 Years**

[21] Appl. No.: **592,900**

[22] Filed: **Oct. 1, 1990**

[52] U.S. Cl. **D6/480; D6/487**

[58] Field of Search **D6/480, 482-489, D6/495-499, 455; 108/115, 116, 121, 161**

[56] **References Cited**

U.S. PATENT DOCUMENTS

D. 326,787 6/1992 White, Jr. D6/484

OTHER PUBLICATIONS

Grand Tour III by Heritage, ©1976, p. 19 Rect. Glass Top Table.

Furniture Today, Apr. 10, 1989, p. 28, table in center.

D.I.A., Fender Cocktail Table.

Primary Examiner—Nelson C. Holtje
Assistant Examiner—Janice E. Seeger
Attorney, Agent, or Firm—Charles H. Schwartz;
Ellsworth R. Roston

[57] **CLAIM**

The ornamental design for a table, as shown and described.

DESCRIPTION

FIG. 1 is a perspective view of a table, showing my new design;

FIG. 2 is an end elevational view, the opposite end being identical thereto;

FIG. 3 is a side elevational view, the opposite side being identical thereto;

FIG. 4 is a top plan view thereof;

FIG. 5 is a bottom plan view thereof;

FIG. 6 is an end elevational view of a table, showing an alternate embodiment of my new design;

FIG. 7 is a side elevational view thereof, the opposite side being identical thereto; and,

FIG. 8 is a top plan view thereof.

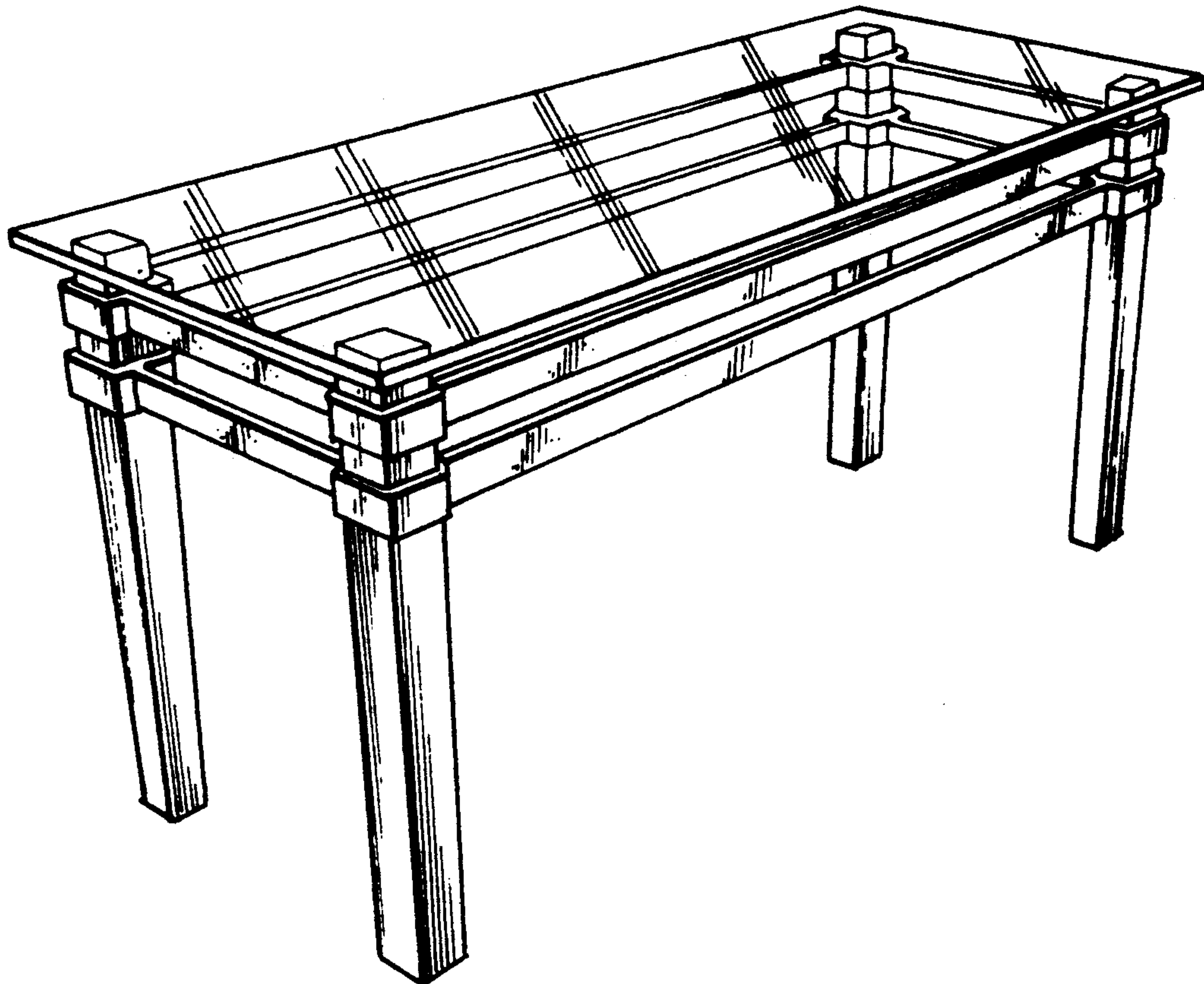


FIG. 1

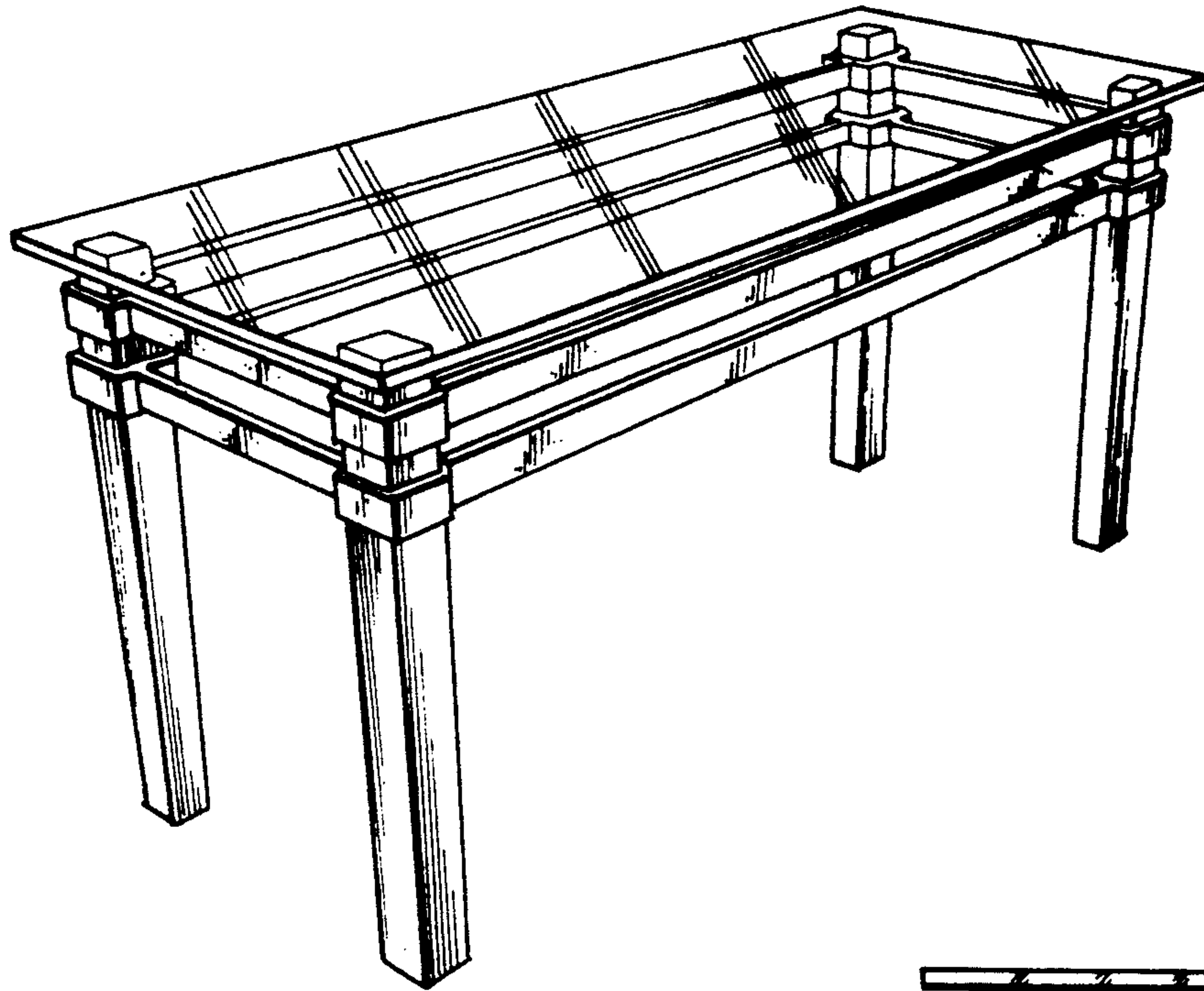


FIG. 2

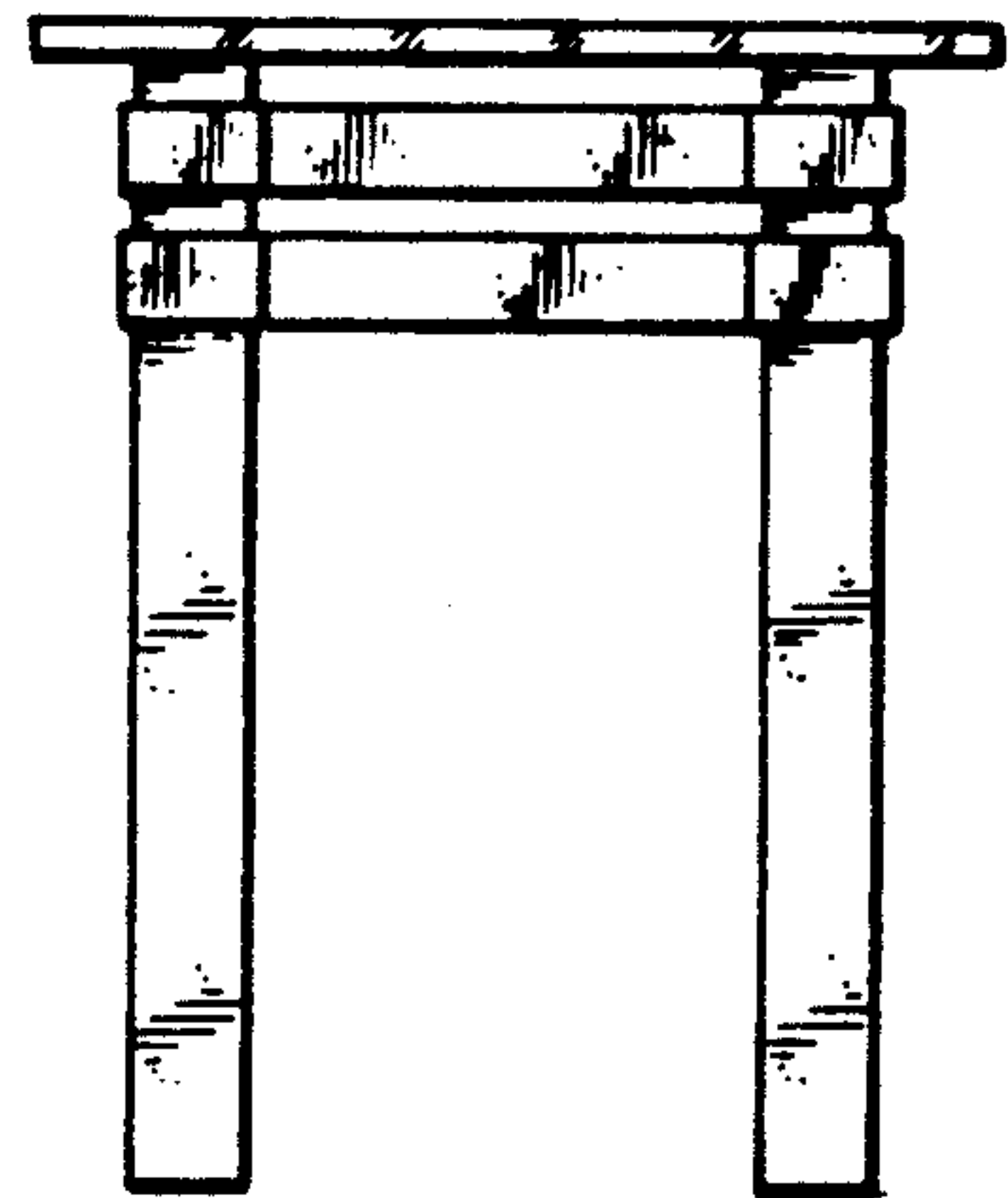


FIG. 3

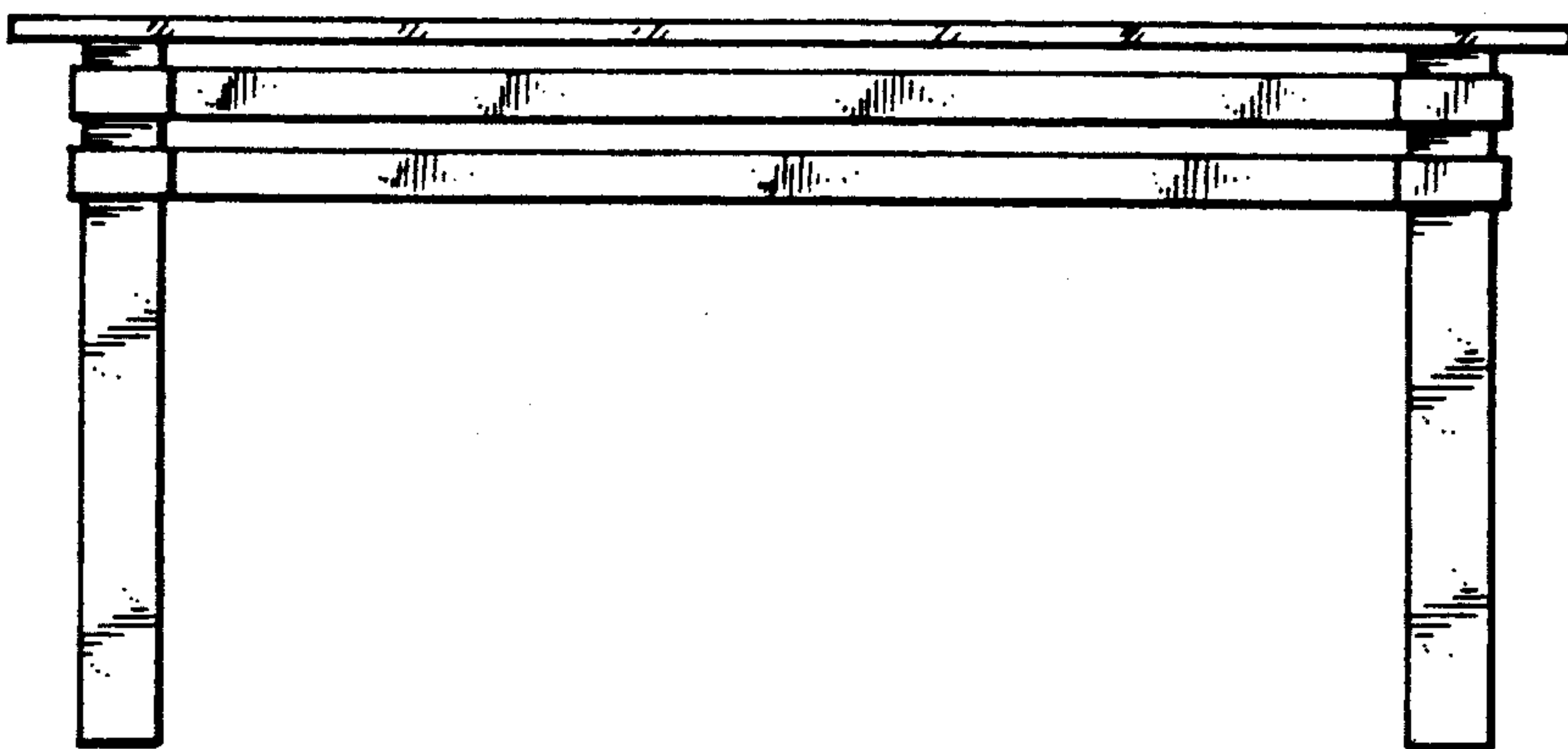


FIG. 4

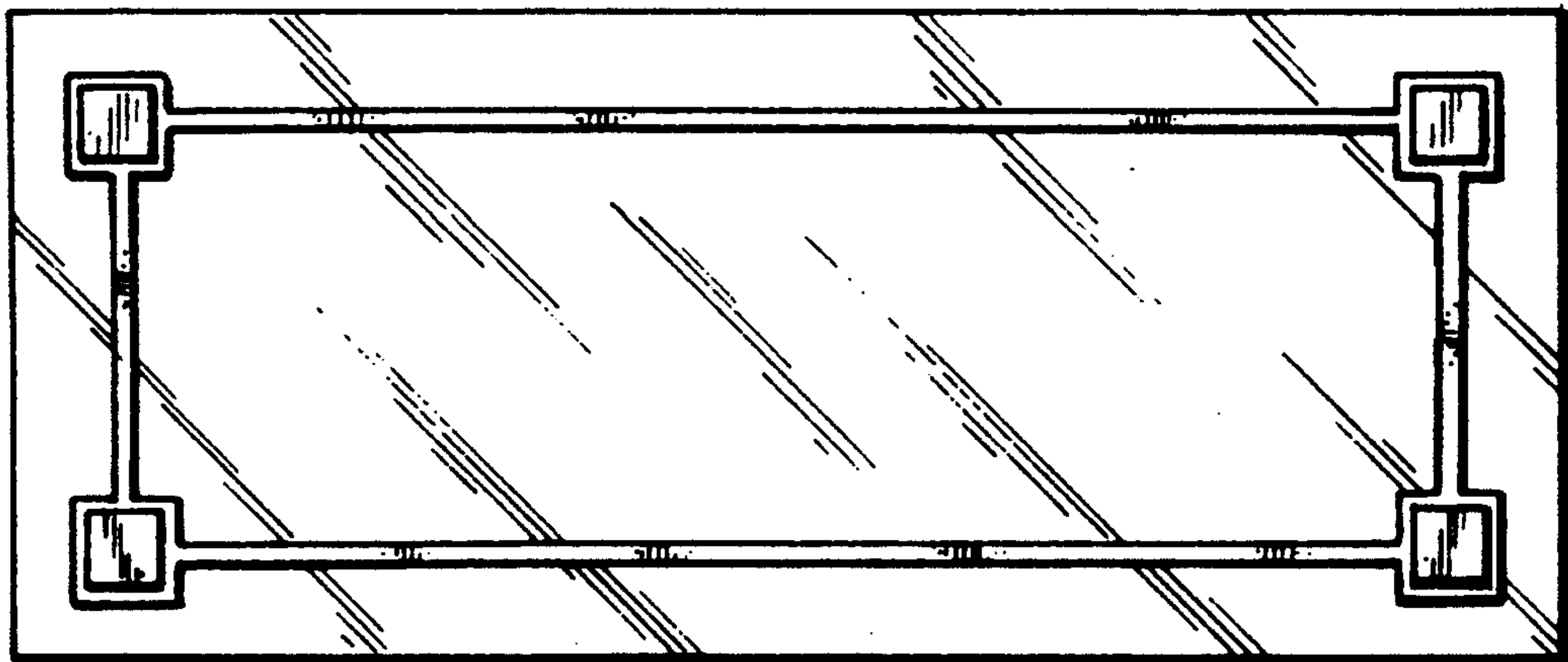
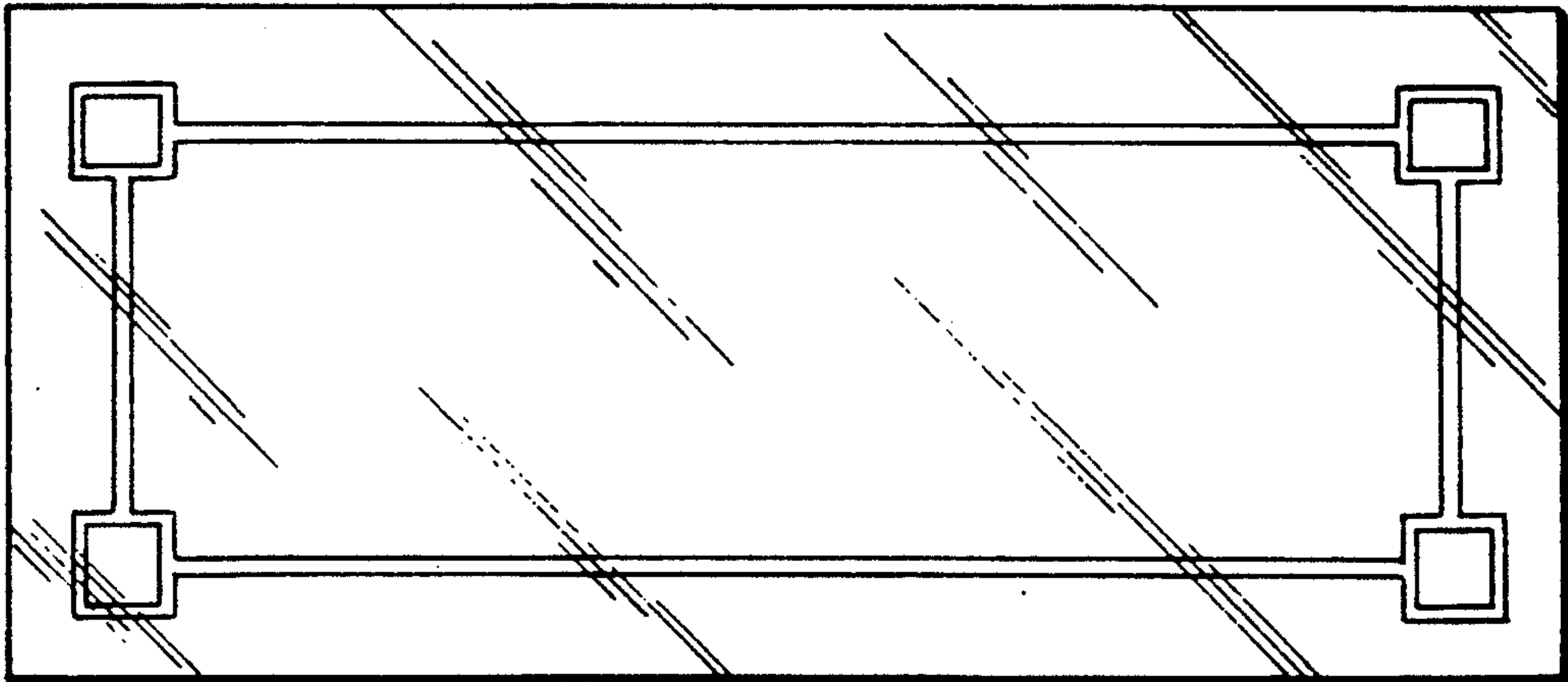


FIG. 5

FIG. 6

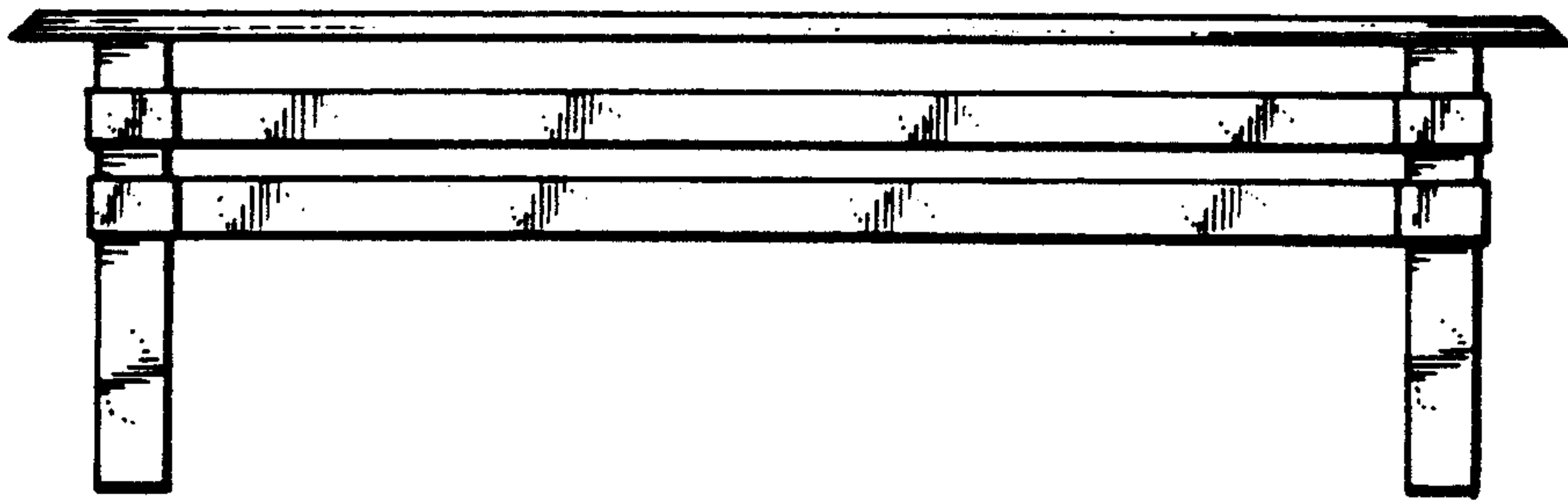
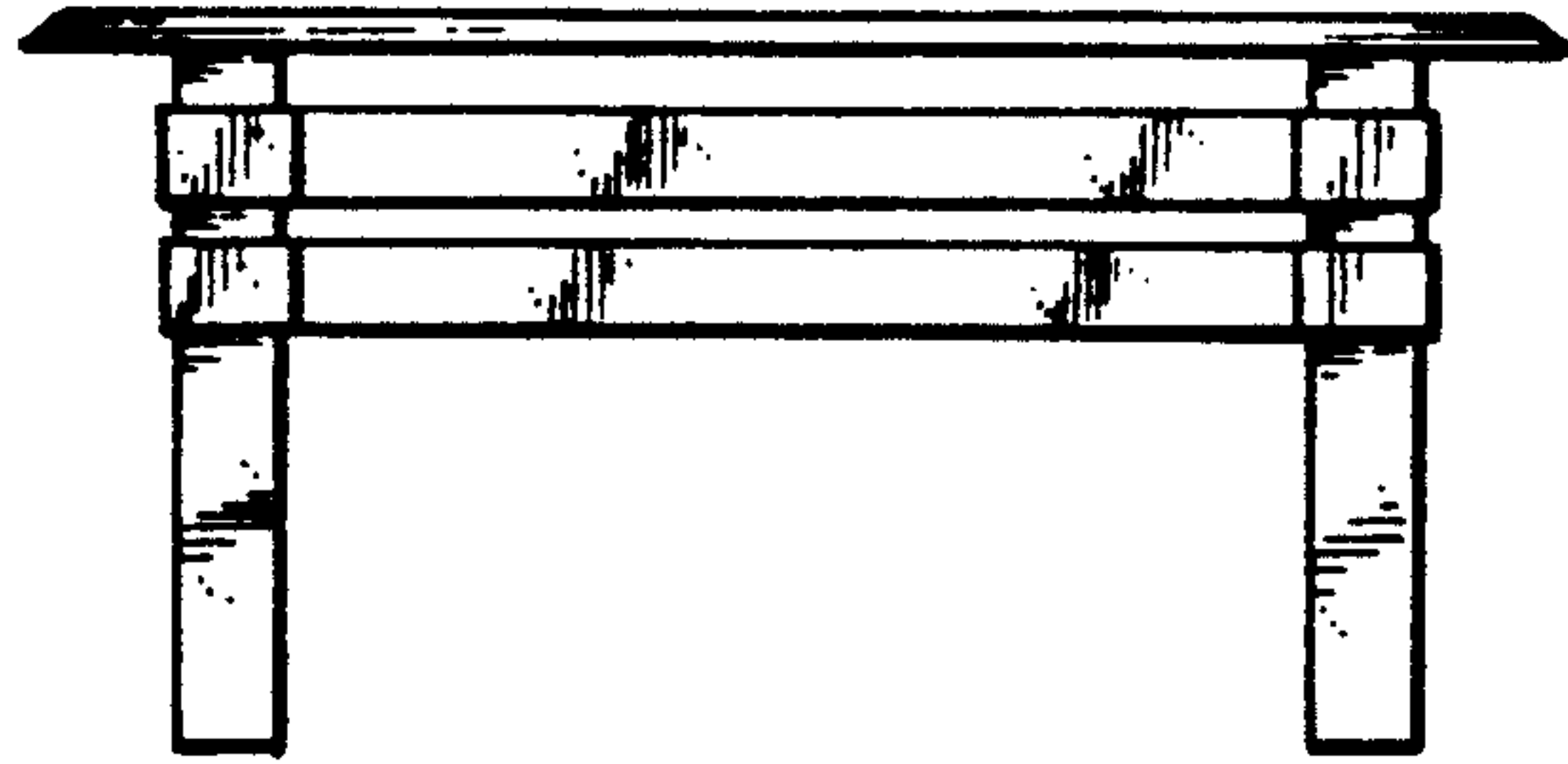


FIG. 7

FIG. 8

