



US00D332359S

United States Patent [19] Ossip

[11] Patent Number: Des. 332,359

[45] Date of Patent: ** Jan. 12, 1993

[54] TABLE

[76] Inventor: **Kenneth B. Ossip**, 141-05 68th Dr.,
Kew Garden Hills, N.Y. 11367

[**] Term: **14 Years**

[21] Appl. No.: **623,248**

[22] Filed: **Dec. 6, 1990**

[52] U.S. Cl. **D6/474**

[58] Field of Search **D6/396, 397, 449, 455,
D6/460, 461, 464, 465, 468, 473, 474, 484,
477-479, 567, 569, 570-572, 487; 108/59, 111,
106-108; 211/13, 186, 187, 189**

[56] **References Cited**

U.S. PATENT DOCUMENTS

D. 4,477	11/1870	Grove	D6/455
D. 99,214	4/1936	Petersen	D6/474
D. 147,114	7/1947	Cutrow	D6/477
D. 161,627	1/1951	Haworth	D6/571
D. 169,868	6/1953	Schwartz	D6/484
D. 221,666	8/1971	Weider	D6/570
D. 282,226	1/1986	Branciforti	D6/571 X
D. 282,328	1/1986	Brescia et al.	D6/569 X
4,122,782	10/1978	Coombs	D6/570 X

OTHER PUBLICATIONS

Carson's page of advertisement.

Primary Examiner—Carmen H. Vales-Lado

Assistant Examiner—Jeffrey Asch

Attorney, Agent, or Firm—Bernard Malina

[57] **CLAIM**

The ornamental design for a table, as shown and described.

DESCRIPTION

FIG. 1 is a front perspective view of a table showing my new design;

FIG. 2 is a front elevational view, the rear being a mirror image thereof;

FIG. 3 is a top plan view thereof;

FIG. 4 is a right side elevational view, the left side being a mirror image thereof;

FIG. 5 is a perspective view of a second embodiment of that shown in FIG. 1;

FIG. 6 is a top plan view thereof;

FIG. 7 is a perspective view of a third embodiment of that shown in FIG. 1; and,

FIG. 8 is a top plan view thereof.

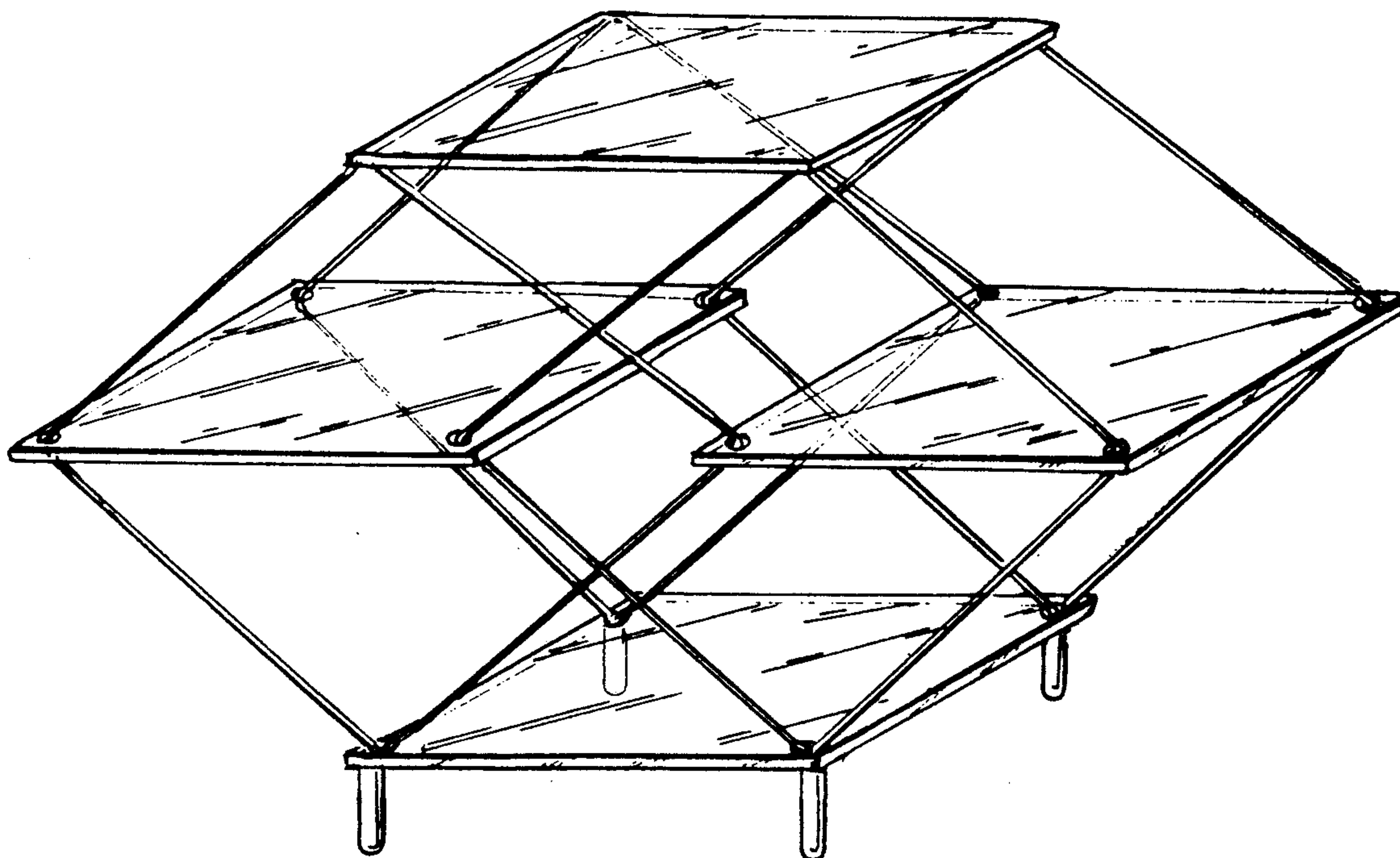


FIG. 1

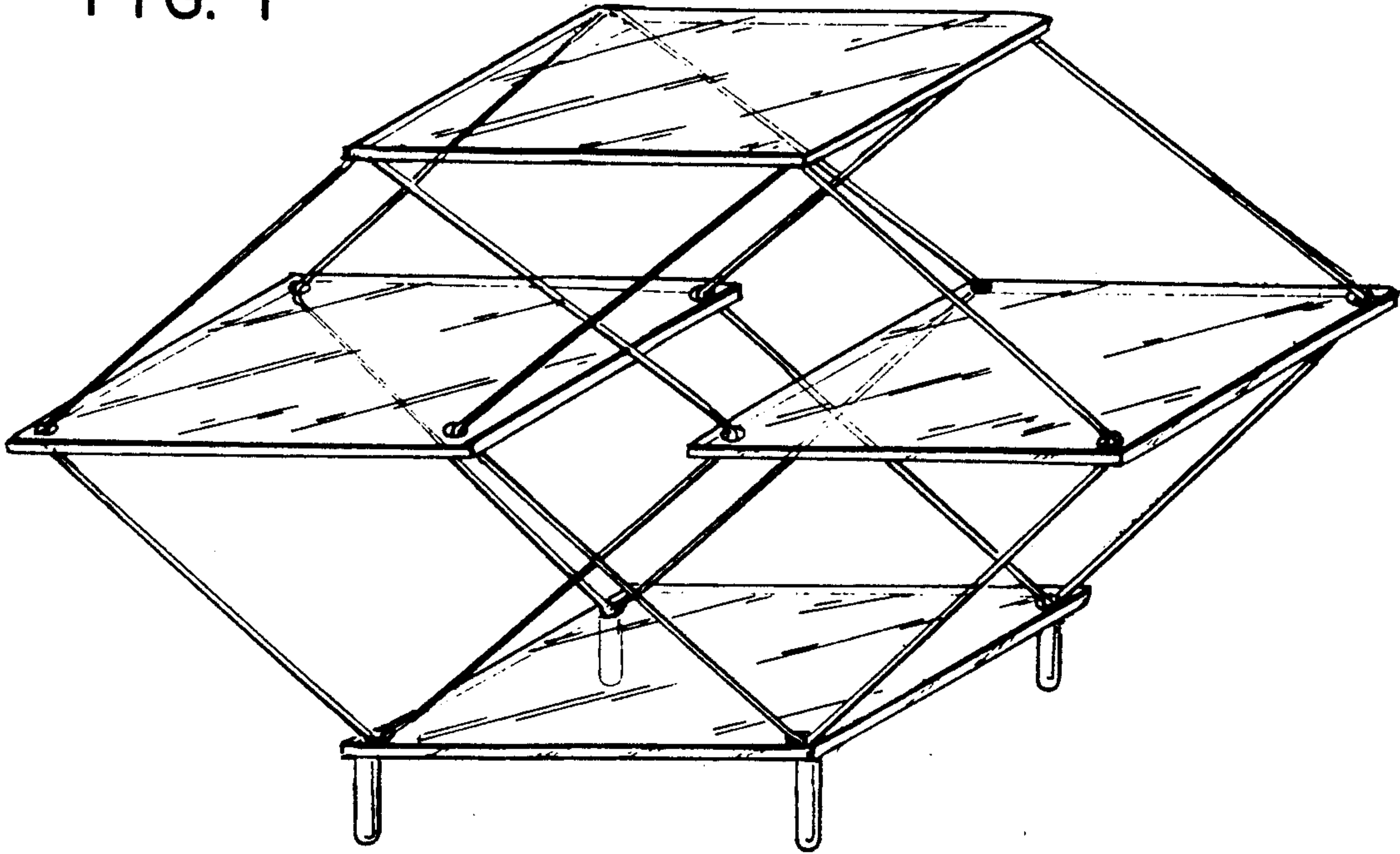


FIG. 2

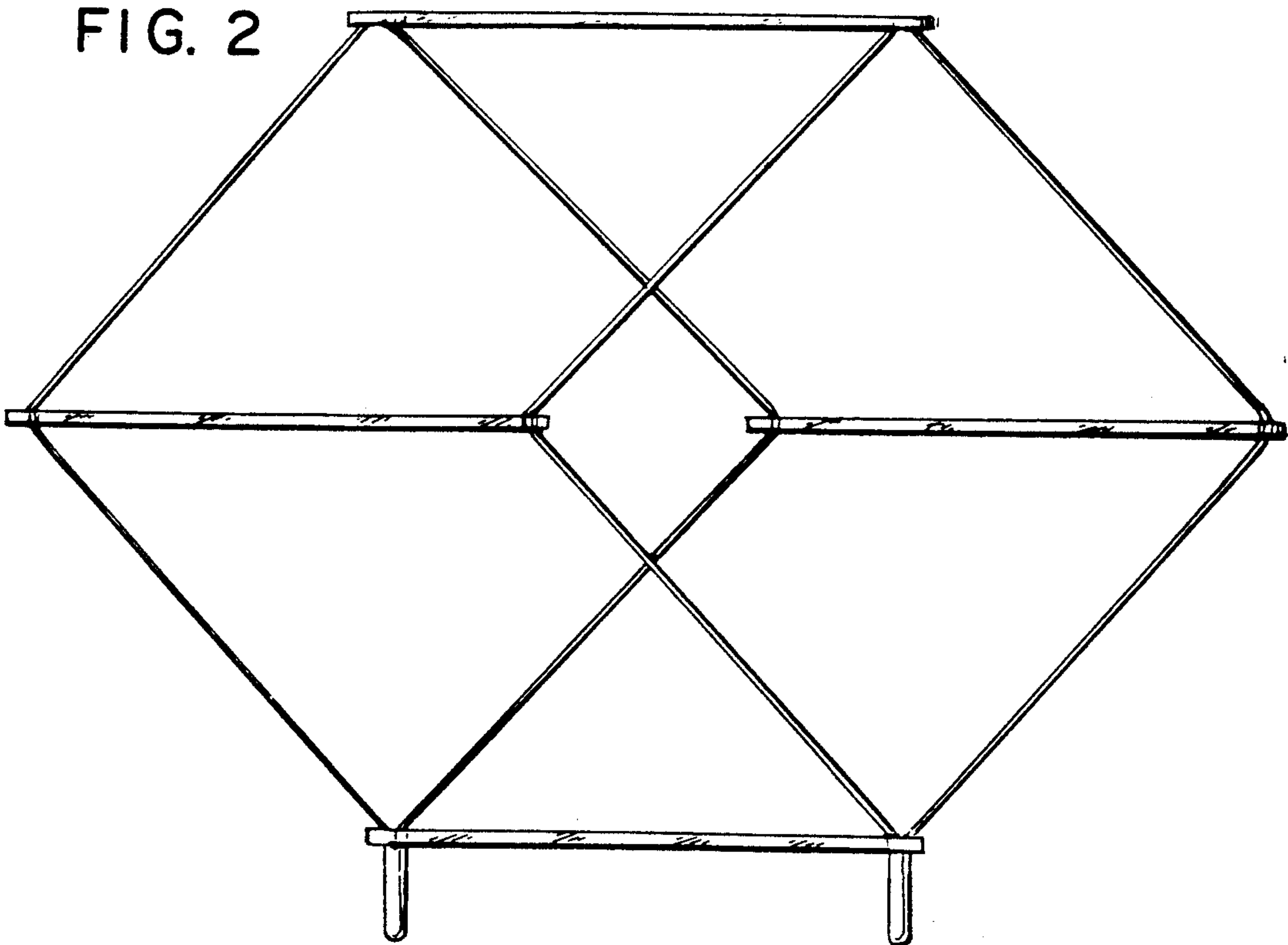


FIG. 3

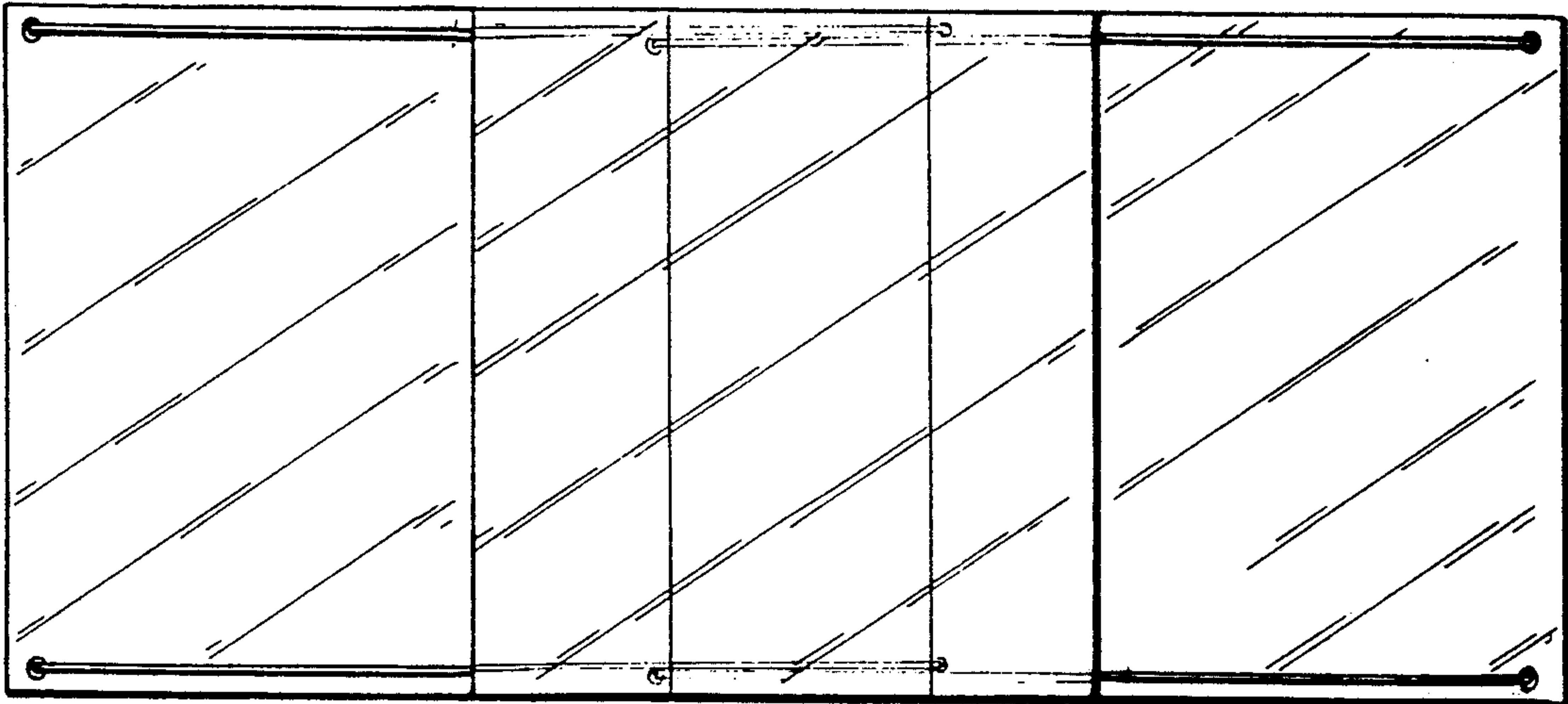


FIG. 4

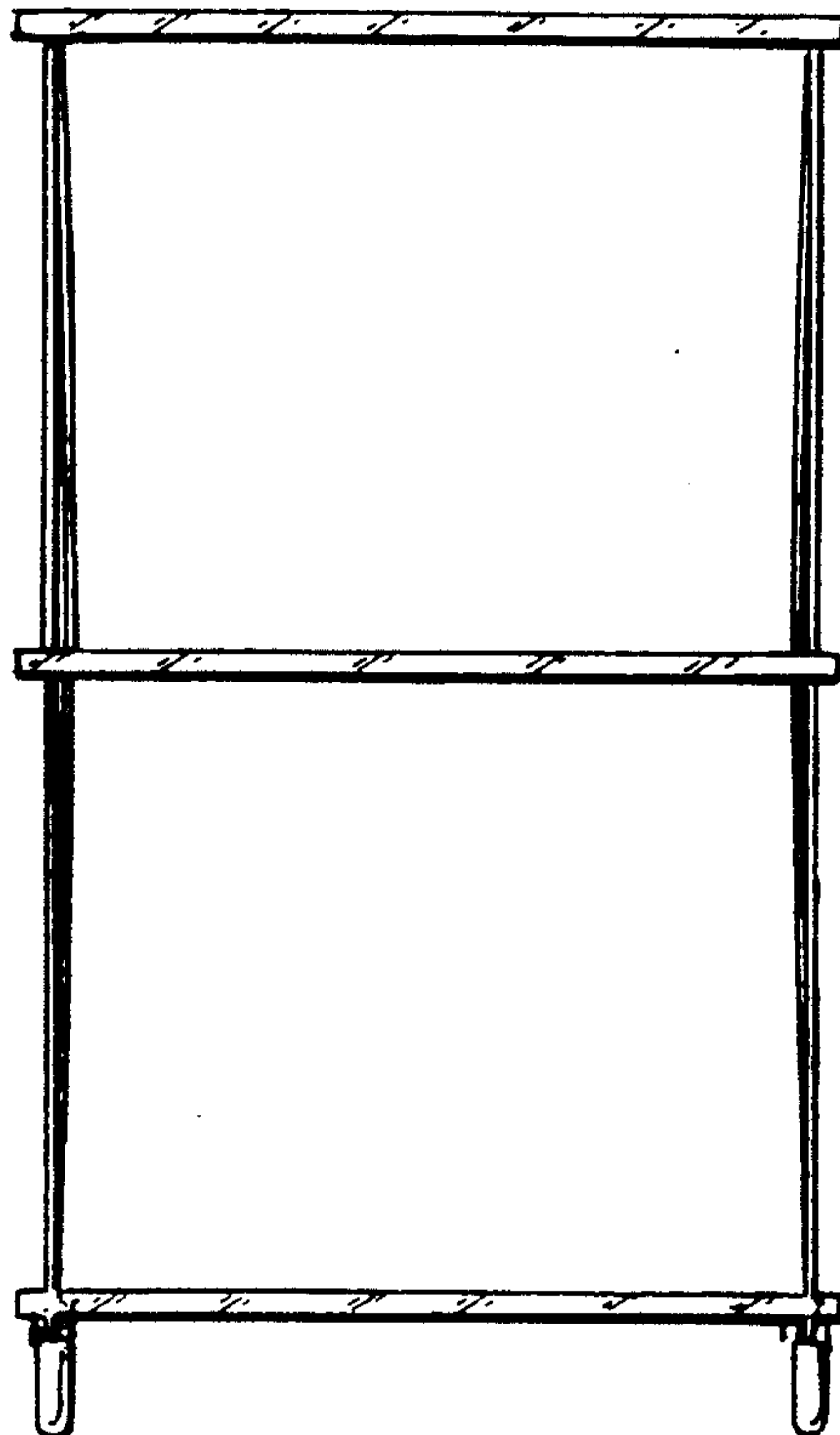


FIG. 5

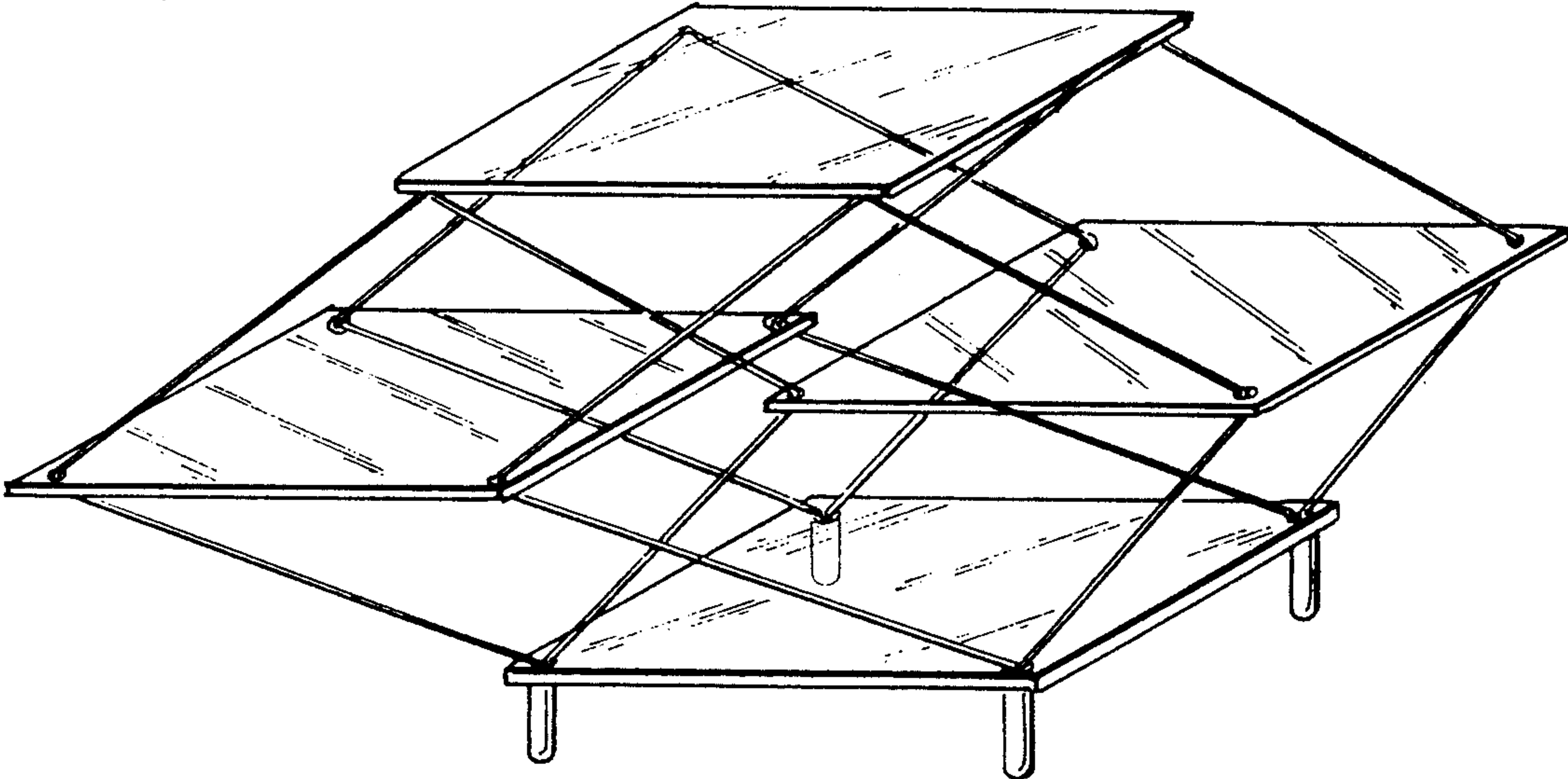


FIG. 6

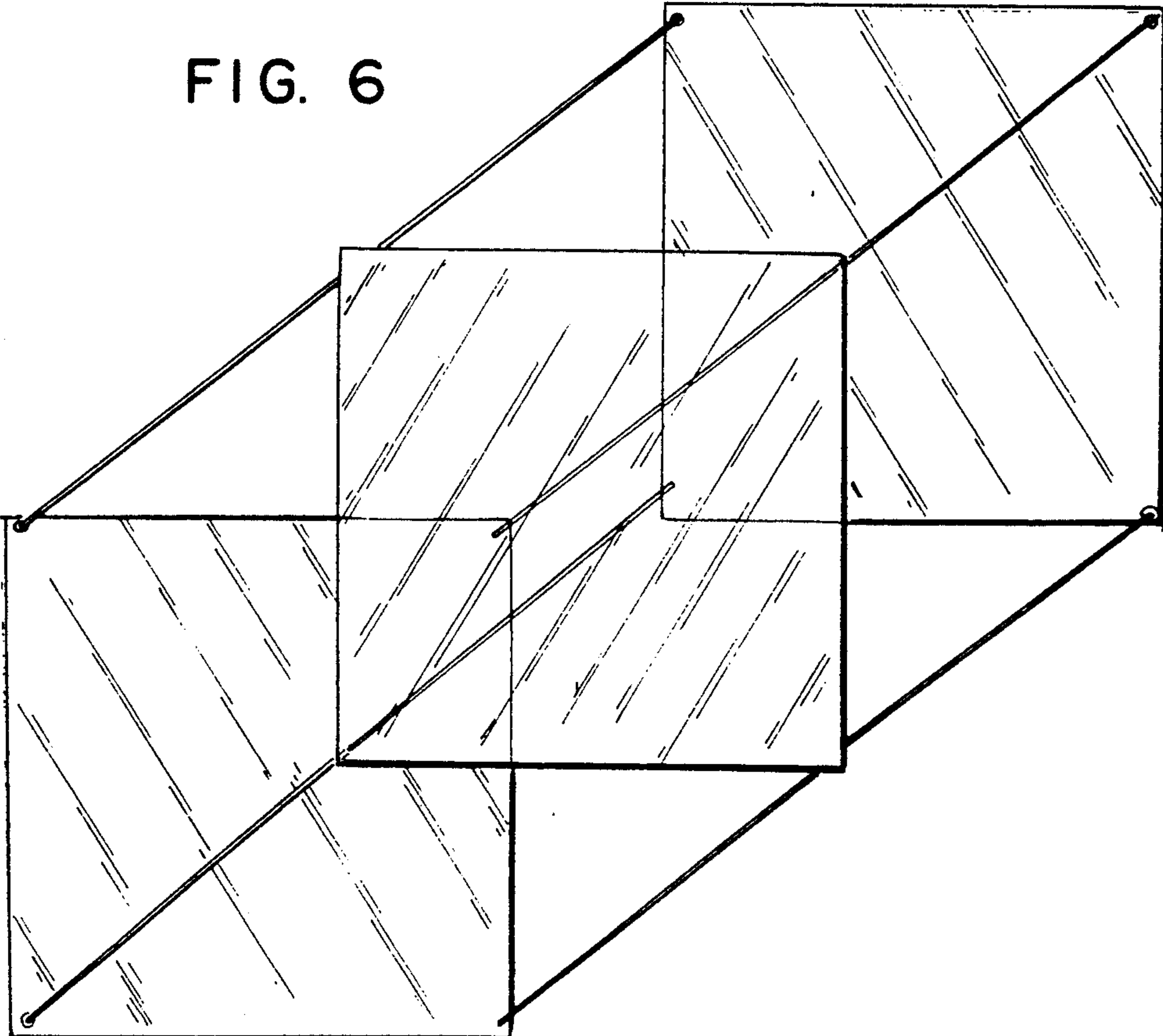


FIG. 7

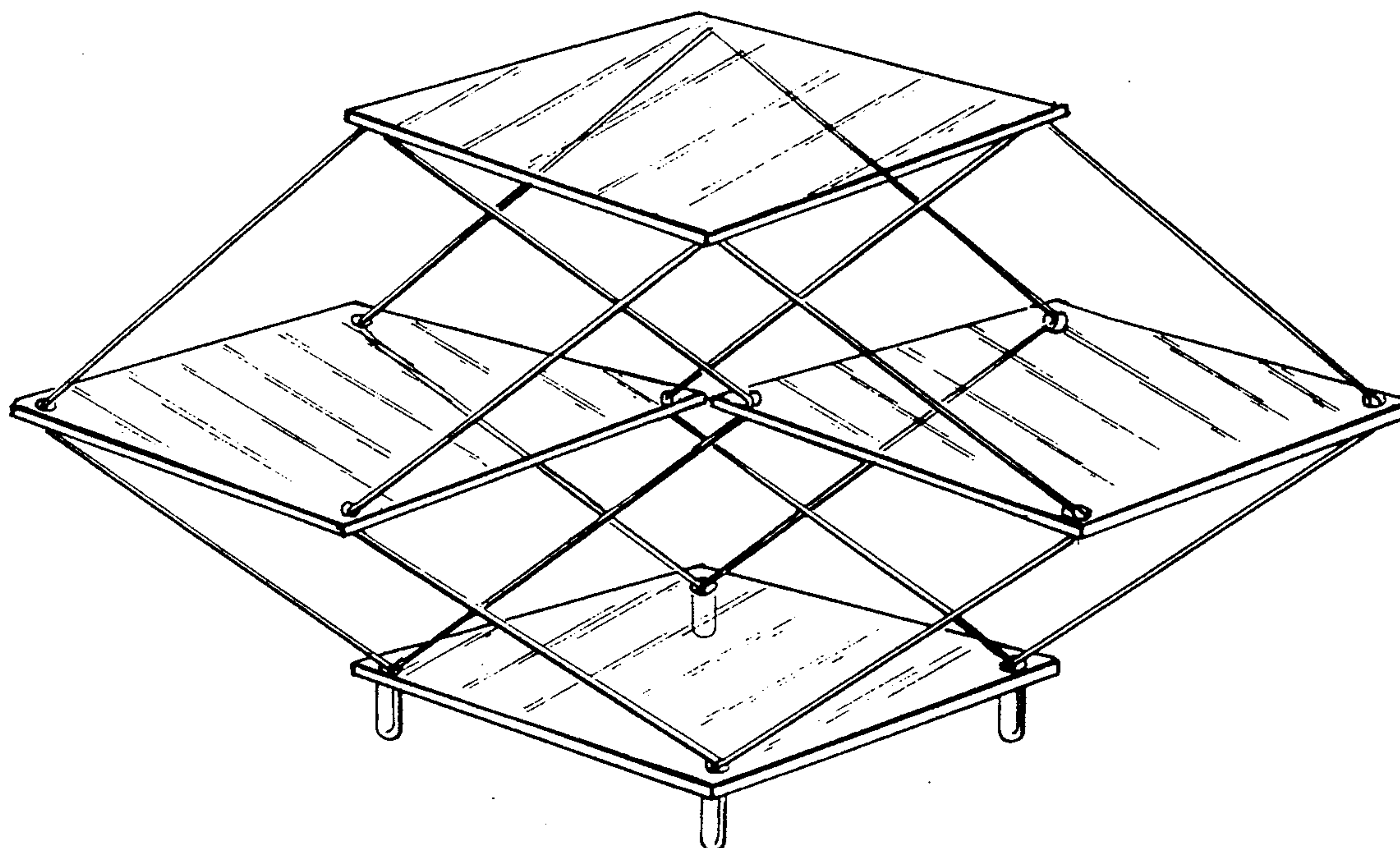


FIG. 8

