



US00D332355S

# United States Patent [19]

Maruya et al.

[11] Patent Number: Des. 332,355

[45] Date of Patent: \*\* Jan. 12, 1993

[54] FOLDING CHAIR

[76] Inventors: **Yoshimasa Maruya**, 457-1, Nakano, Tsukui-Cho, Tsukui-Gun, Kanagawa-Ken; **Yoshifumi Nakamura**, 6-5-102, Midorigaoka 2-Chome, Meguro-Ku, Tokyo; **Junzo Yoshimura**, 30-24, minamidai 5-Chome, Nakano-Ku, Tokyo, all of Japan

[\*\*] Term: 14 Years

[21] Appl. No.: 482,351

[22] Filed: Feb. 21, 1990

[52] U.S. Cl. .... D6/368; D6/371; D6/373; D6/379

[58] Field of Search ..... D6/334, 335, 336, 366, D6/368, 371, 373, 374, 375, 379, 500, 501, 502; 297/42, 118

[56] References Cited

U.S. PATENT DOCUMENTS

D. 233,494 11/1974 Bolyos ..... D6/373  
D. 245,739 9/1977 Cook, Jr. .... D6/371  
4,046,417 9/1977 Beckley ..... D6/336 X

OTHER PUBLICATIONS

Illums Bolighus, May 1961, p. 11, Arm Chair #at right.  
Harter Corp., Armchair #LO-210 at top right.  
Interiors, Jun. 1974, p. 137, Chair at bottom right.  
Interiors, Jan. 1975, p. 166, Chair at bottom right.  
Office Products, Sep. 1976, p. 30, Chair at bottom left.

Global Opholstery, ©1977, p. 13, Chair #1624 in middle at bottom.

Interiors, Sep. 1980, p. 120, Chair #4 at bottom left.

Interiors, May 1983, p. 233, Chair at bottom right.

Interiors, Jul. 1983, p. 146, Chair at top left.

Primary Examiner—Alan P. Douglas

Assistant Examiner—Gary D. Watson

Attorney, Agent, or Firm—Laubscher & Laubscher

[57] CLAIM

The ornamental design for a folding chair, as shown and described.

DESCRIPTION

FIG. 1 is a front elevational view of a folding chair showing my new design;

FIG. 2 is a rear elevational view;

FIG. 3 is a top plan view;

FIG. 4 is a bottom plan view;

FIG. 5 is a right side elevational view;

FIG. 6 is a cross sectional view taken along the line A—A of FIG. 1;

FIG. 7 is a right side elevational view, showing the chair in folded condition;

FIG. 8 is a left-front perspective view;

FIG. 9 is a right-rear perspective view;

FIG. 10 is a front perspective view, showing the seat in folded condition;

FIG. 11 is a front perspective view, showing the seat in folded condition and the sides in semi-folded condition; and,

FIG. 12 is a front perspective view thereof, showing the chair in folded condition.

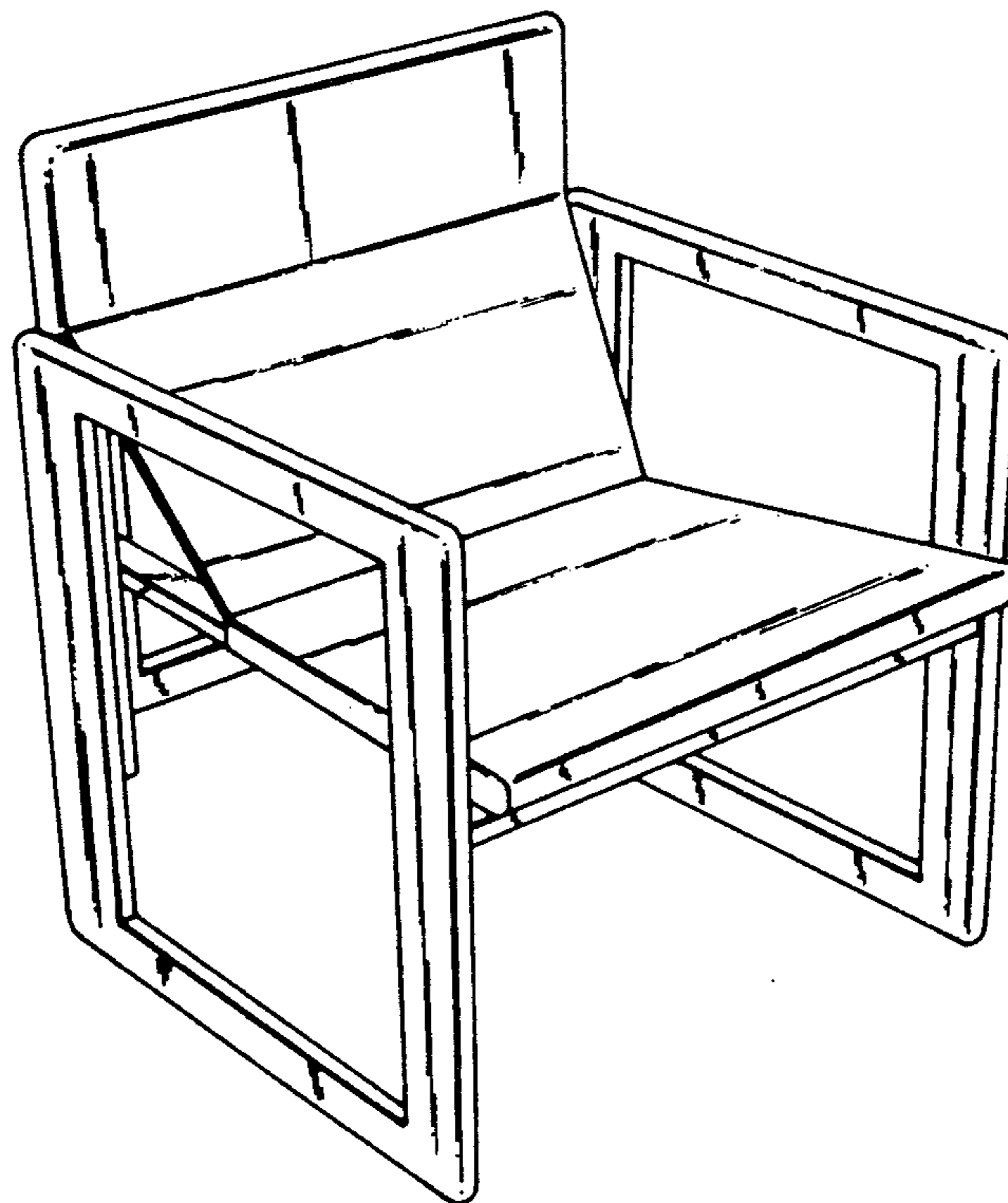
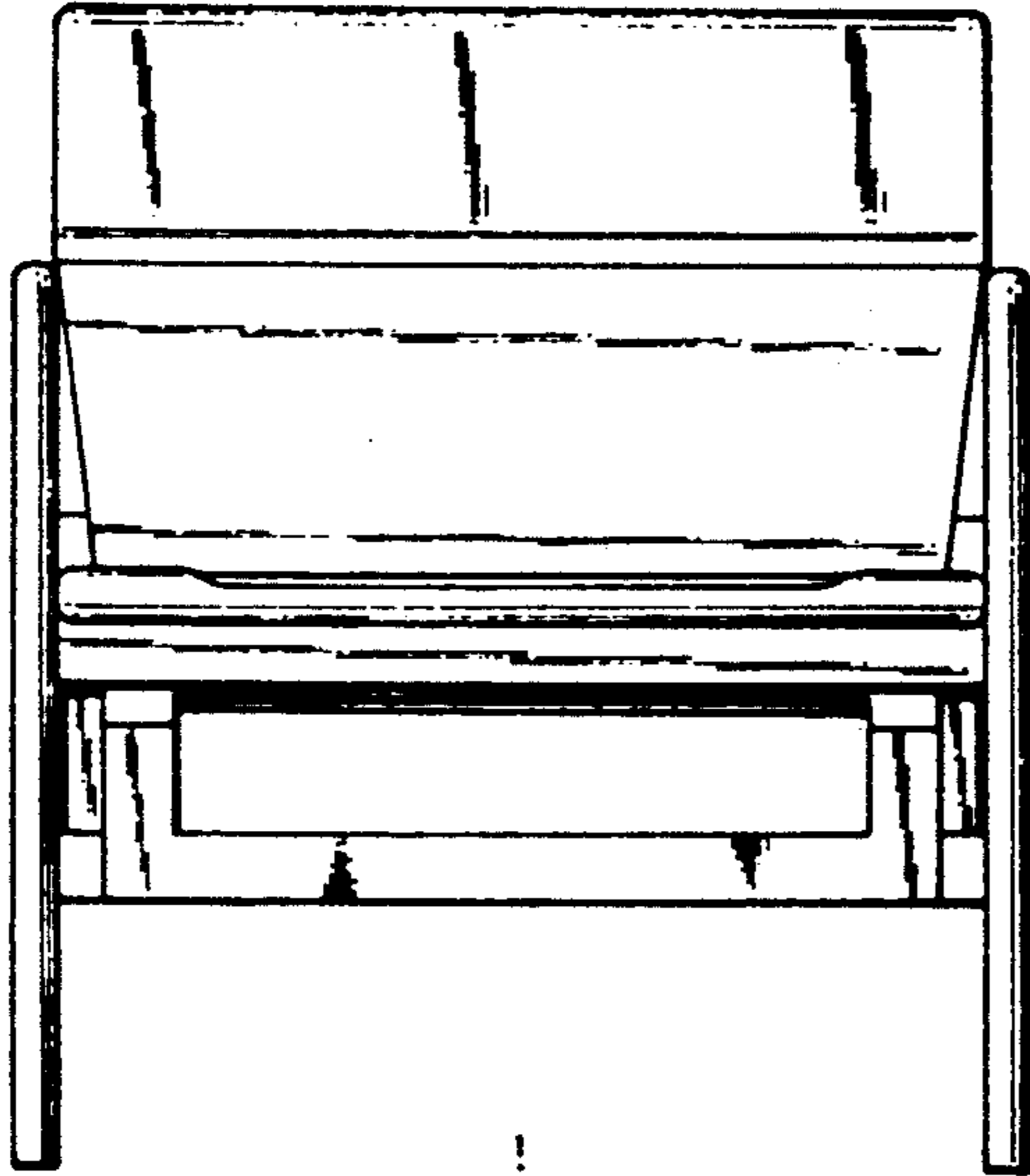


FIG. 1

A



A

FIG. 2

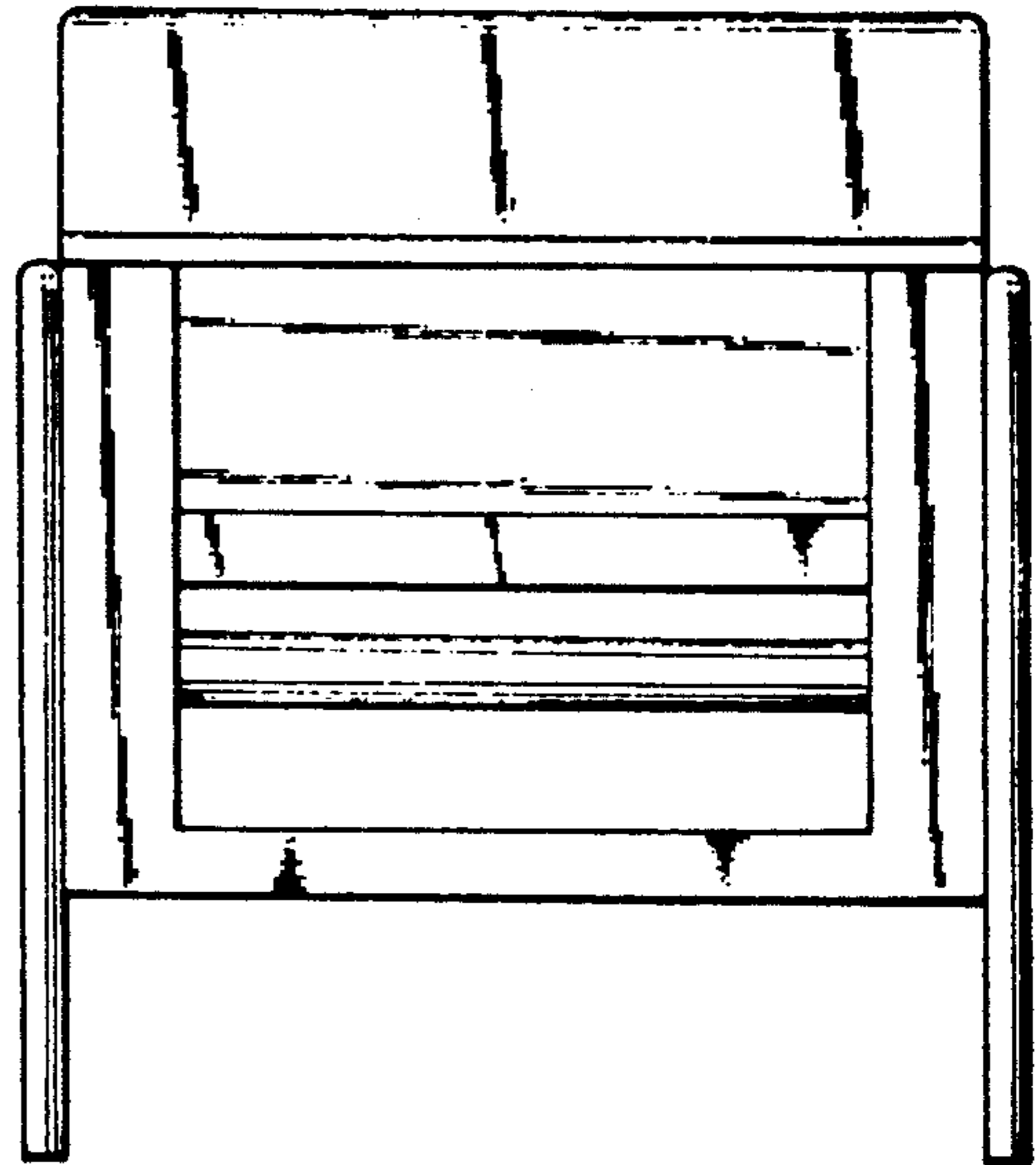


FIG. 3

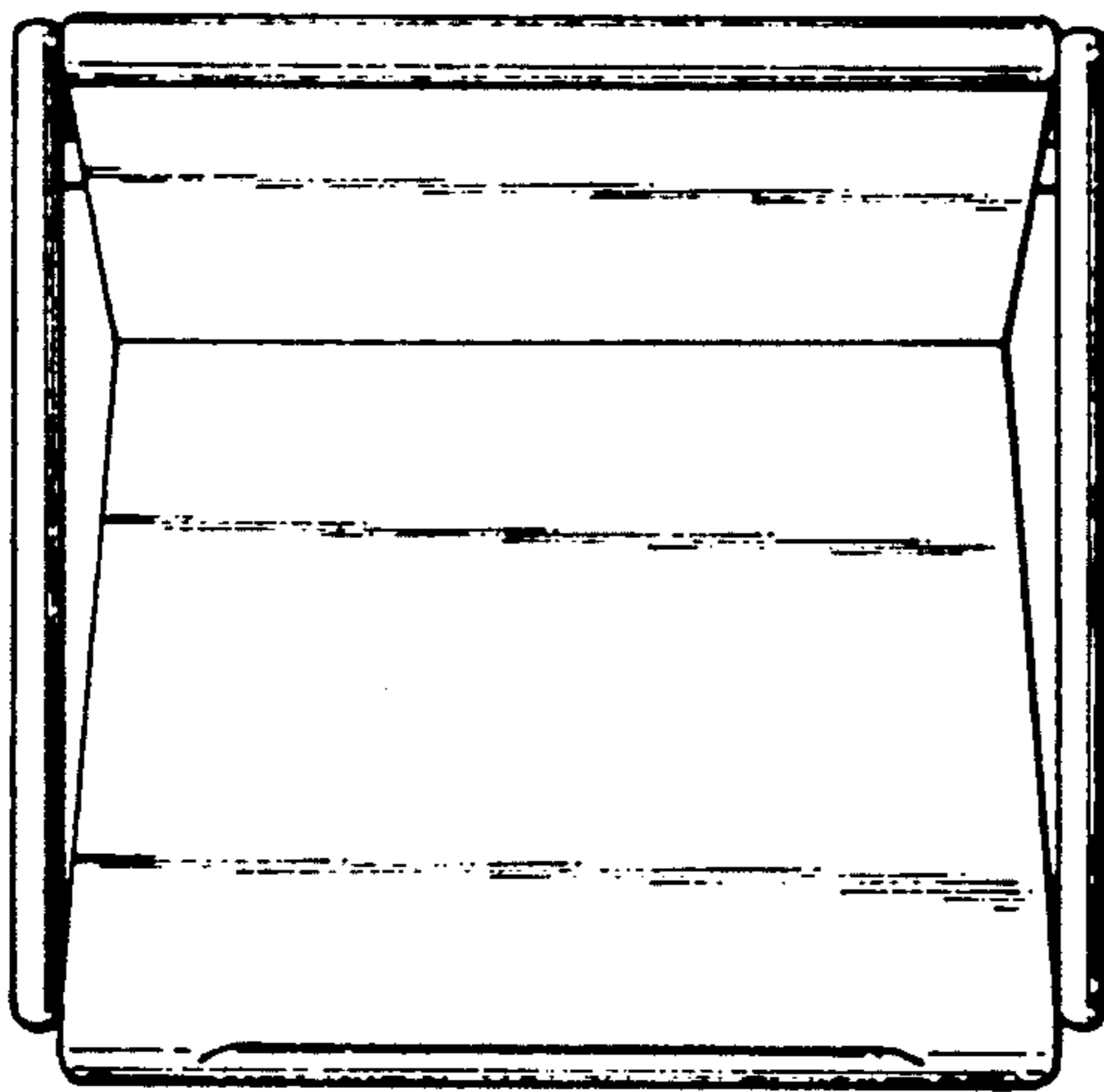


FIG. 4

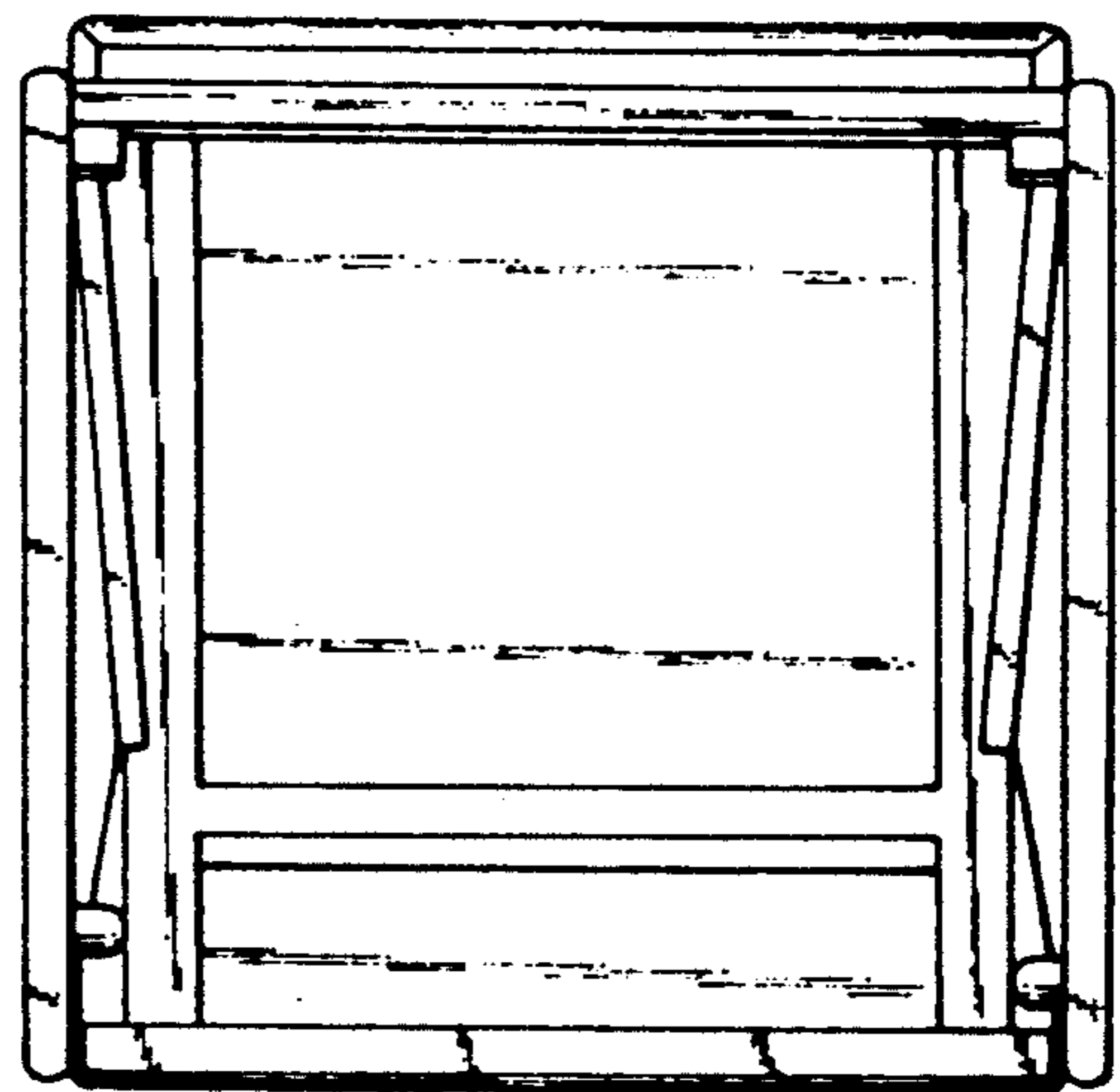


FIG. 5

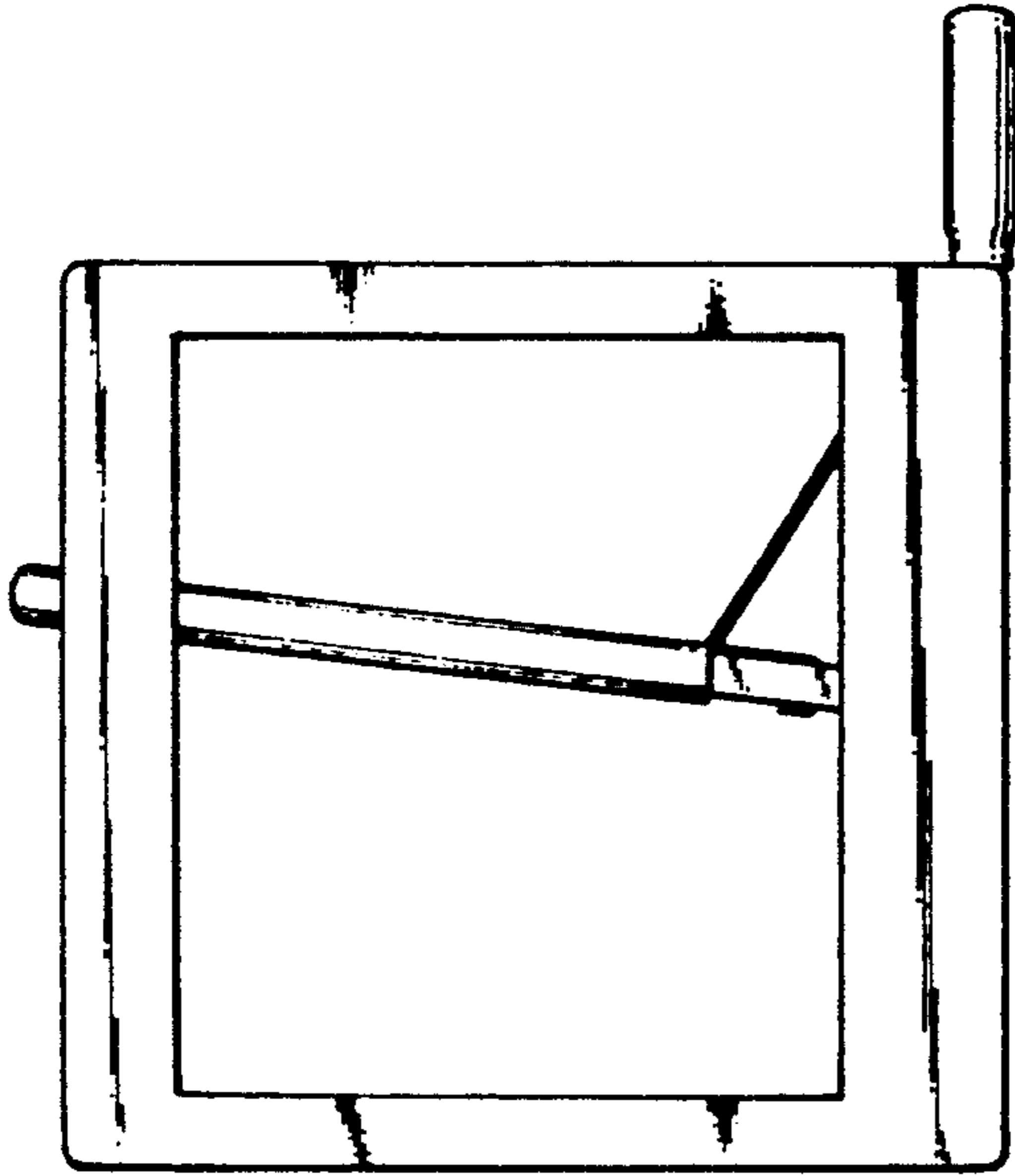


FIG. 6

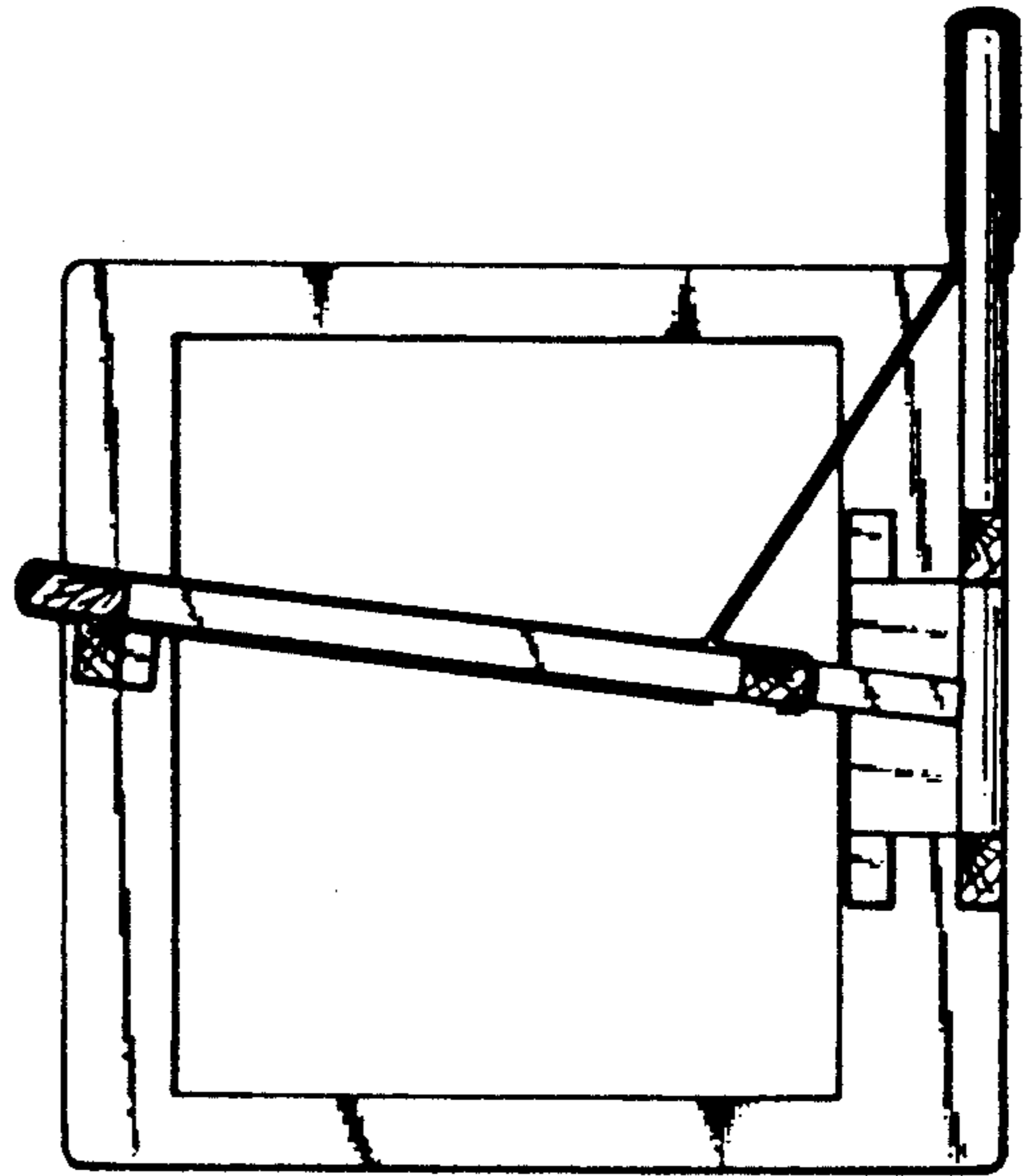


FIG. 7



FIG. 8

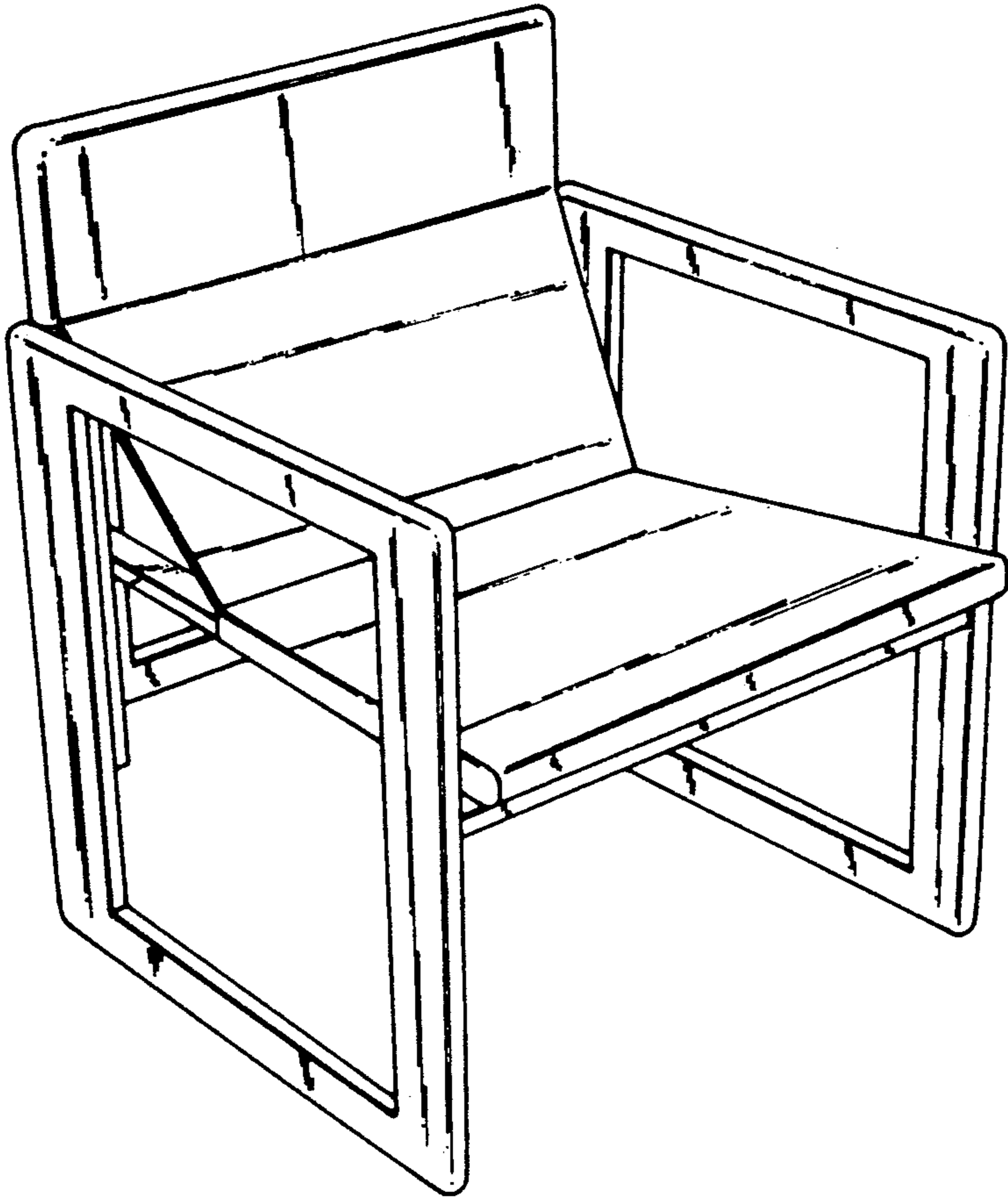


FIG. 9

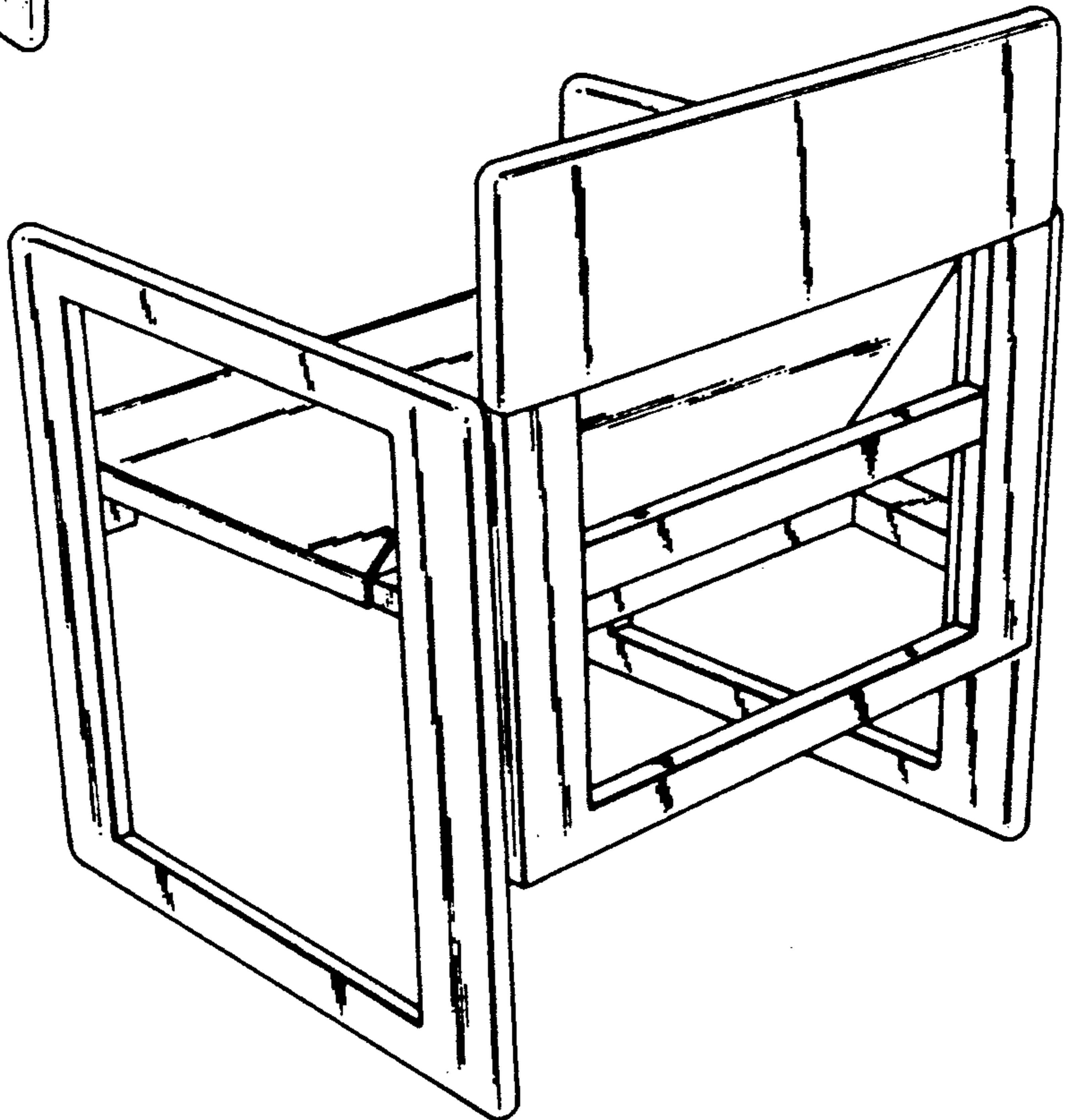


FIG. 10

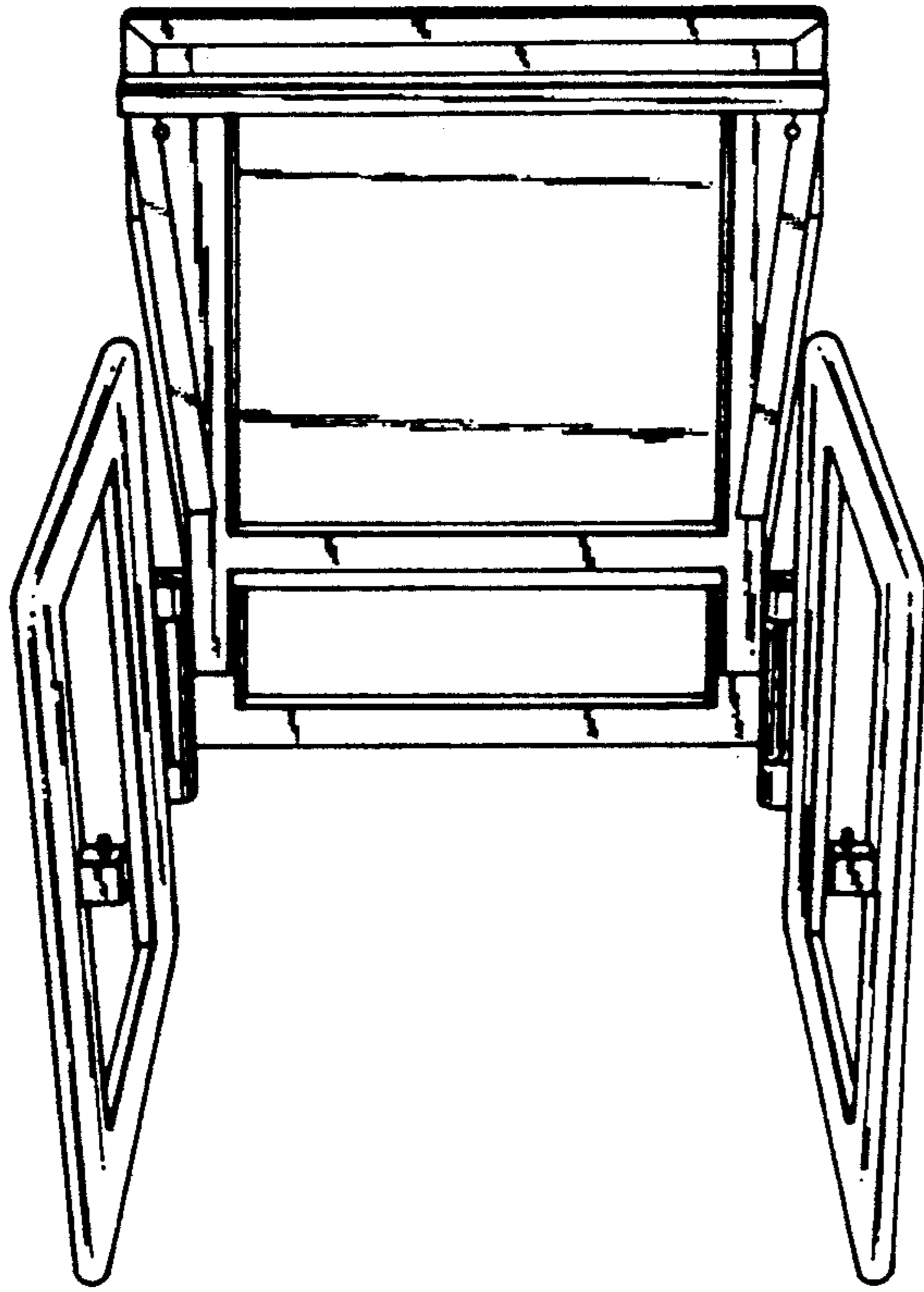


FIG. 11

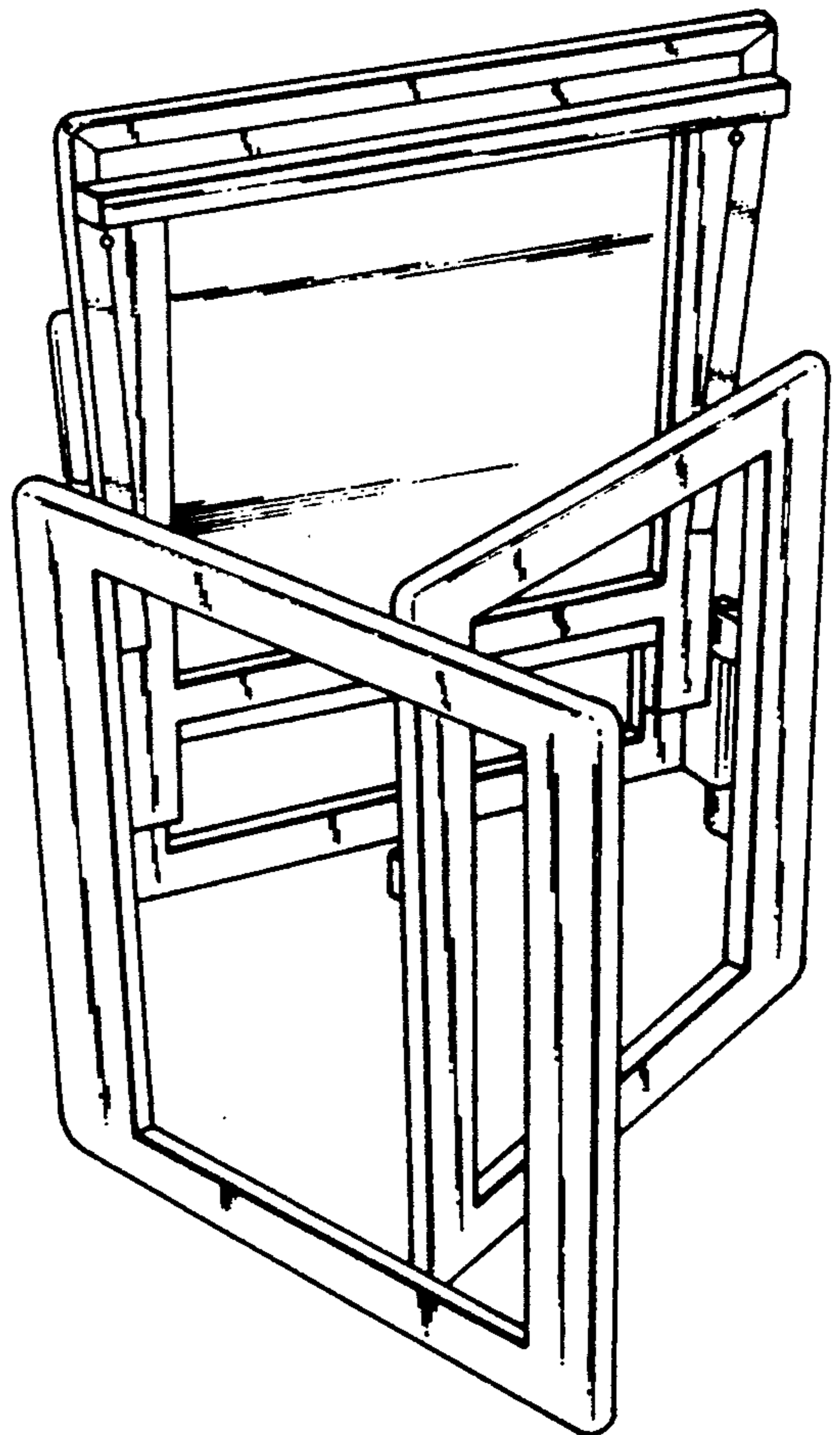


FIG. 12

