



US00D332353S

United States Patent [19]

[11] Patent Number: **Des. 332,353**

Devolder

[45] Date of Patent: **** Jan. 12, 1993**

[54] BRUSH HANDLE

[76] Inventor: **Randy M. Devolder**, 183 Avenida Chapala, San Marcos, Calif. 92069

[**] Term: **14 Years**

[21] Appl. No.: **396,022**

[22] Filed: **Aug. 21, 1989**

[52] U.S. Cl. **D4/138**

[58] Field of Search **D4/114-115, D4/121, 127, 130-132, 136, 138, 199; 15/104.92-104.94, 143 R, 159 R, 159 A, 160, 144 B, 164-165, 211; 401/42, 136-138, 268-291; 206/361-362**

[56] **References Cited**

U.S. PATENT DOCUMENTS

D. 166,128	3/1952	Rowser et al.	D4/114
D. 197,458	2/1964	Bucknell et al.	D4/115
D. 308,443	6/1990	Vetter	D4/131
2,590,353	3/1952	Schaar et al.	401/42 X
2,697,646	12/1954	Craig	206/361 X
3,488,790	1/1970	Satoh	15/211 X
3,837,751	9/1974	Ross	401/290

FOREIGN PATENT DOCUMENTS

179774 6/1962 Sweden 15/144 B

OTHER PUBLICATIONS

Bradley Hardware, General Catalog No. 41, ©1941, Bowl Brush, Item No. 116, p. 537.

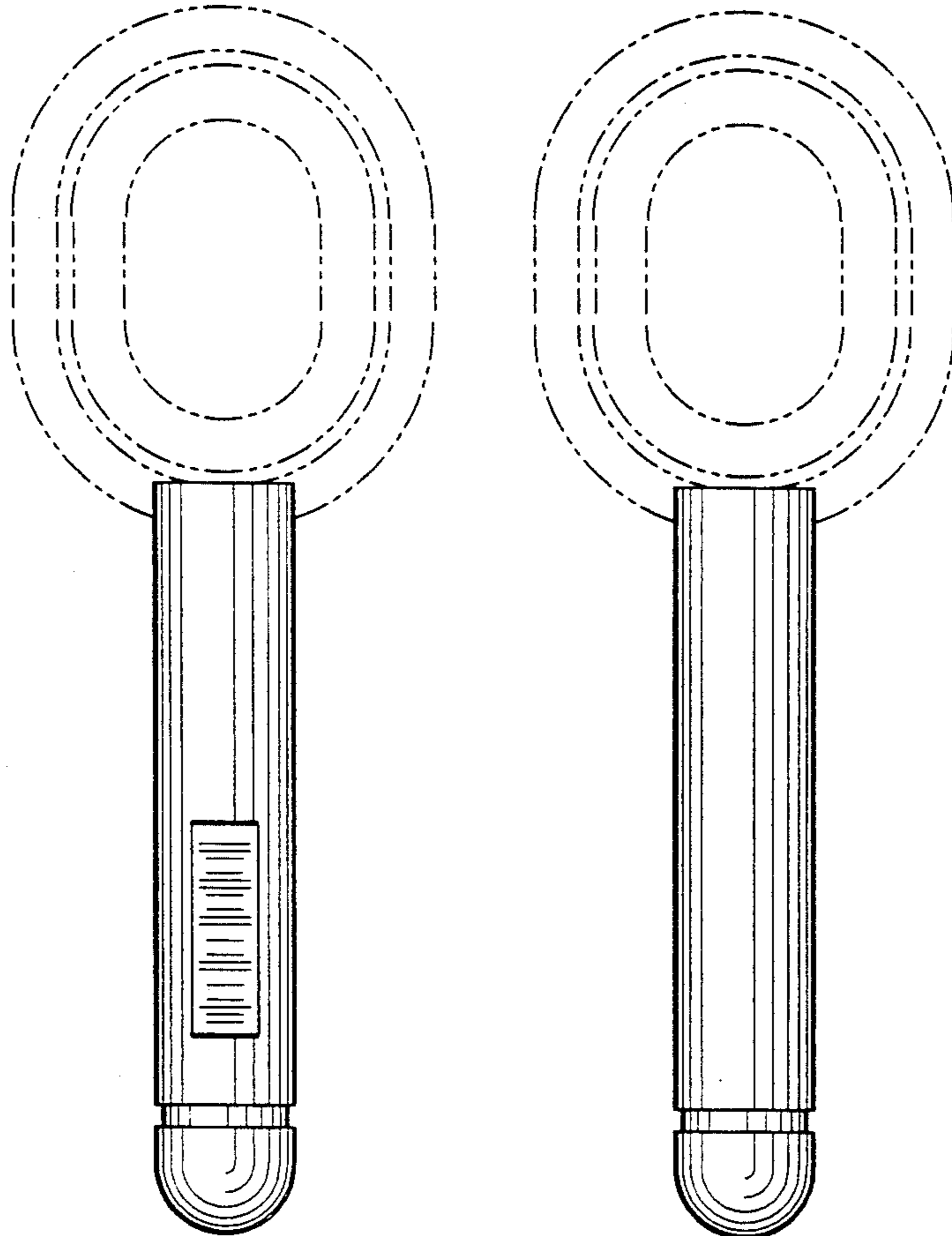
Primary Examiner—Wallace R. Burke
Assistant Examiner—Lavone D. Tabor
Attorney, Agent, or Firm—Leon Gilden

[57] CLAIM

The ornamental design for a brush handle, as shown and described.

DESCRIPTION

FIG. 1 is a front elevational view of a brush handle showing my new design;
FIG. 2 is a rear elevational view thereof;
FIG. 3 is a left side elevational view thereof;
FIG. 4 is a right side elevational view thereof;
FIG. 5 is a top plan view thereof; and,
FIG. 6 is a bottom plan view thereof.
The broken line showing of a bristled head is for illustrative purposes only and forms no part of the claimed design.



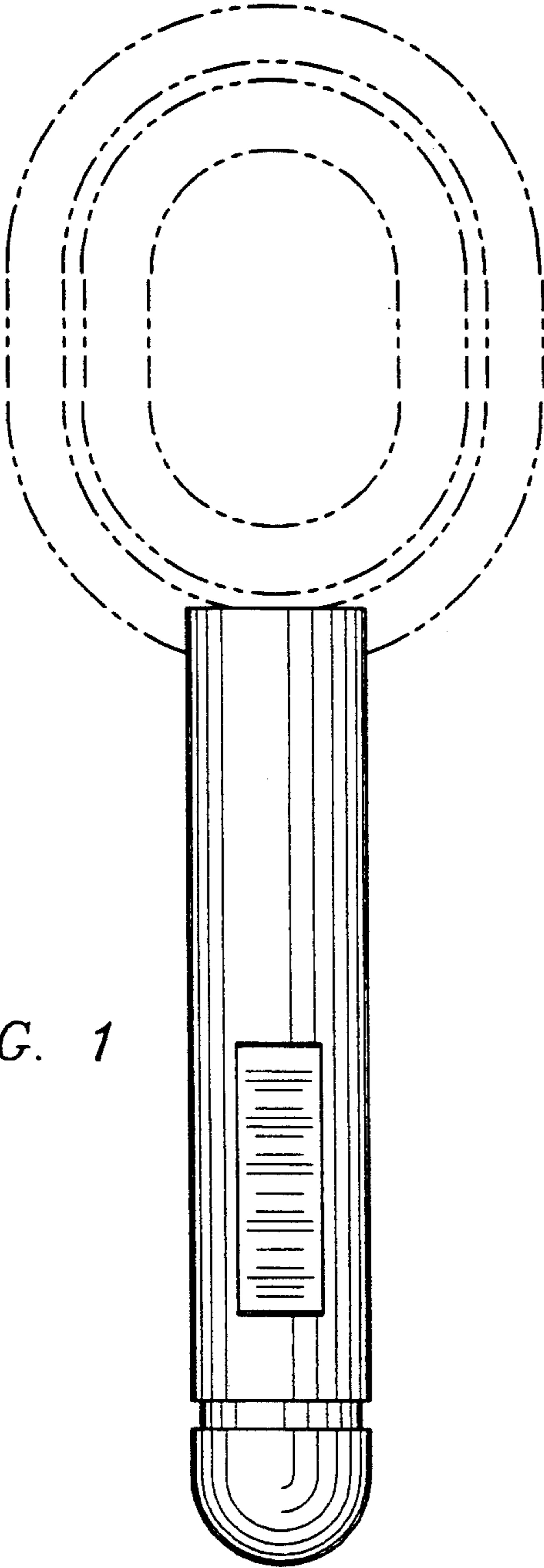


FIG. 1

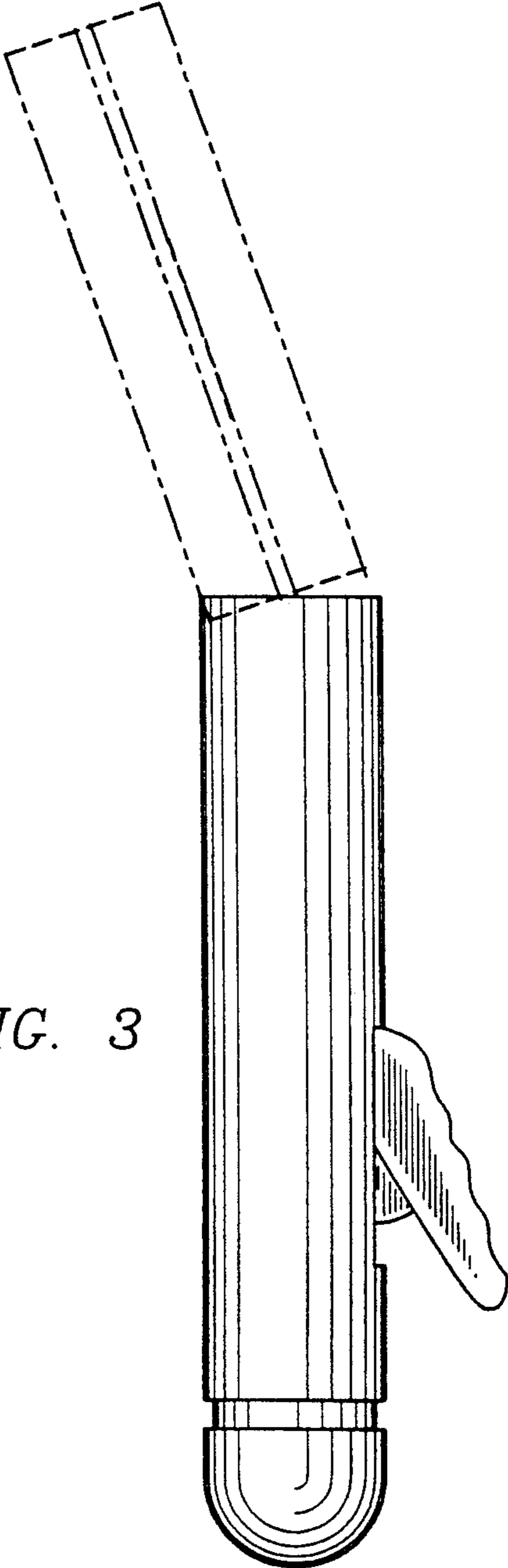


FIG. 3

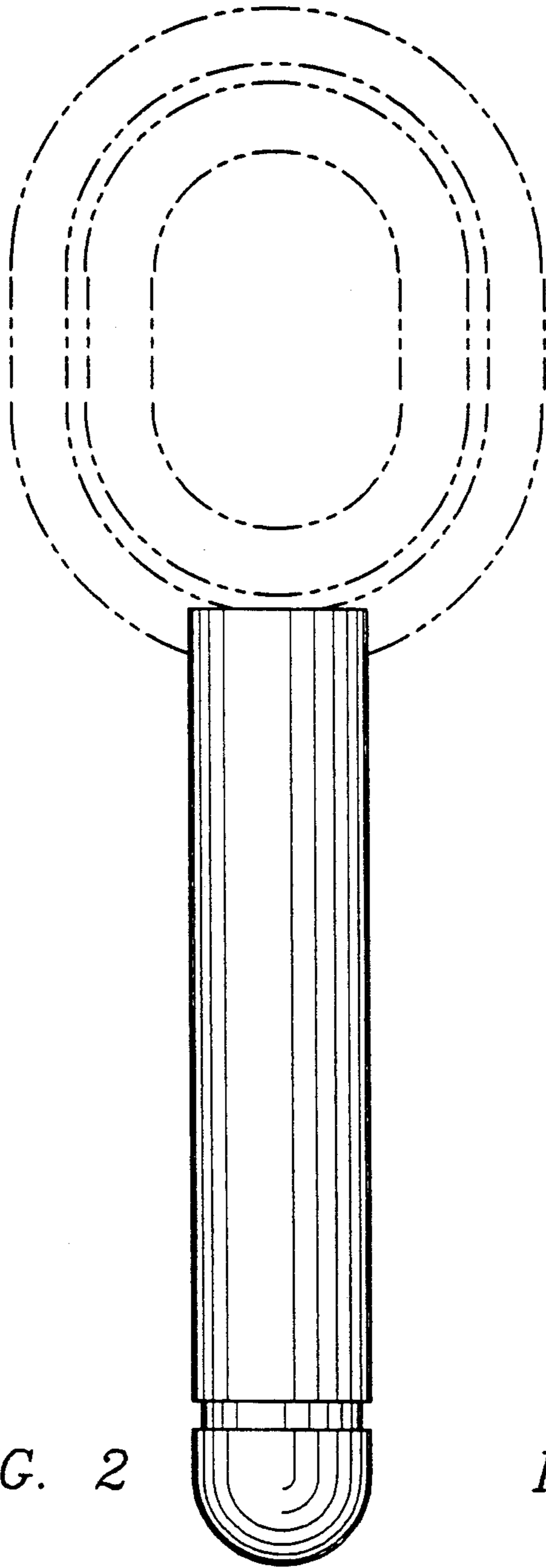


FIG. 2

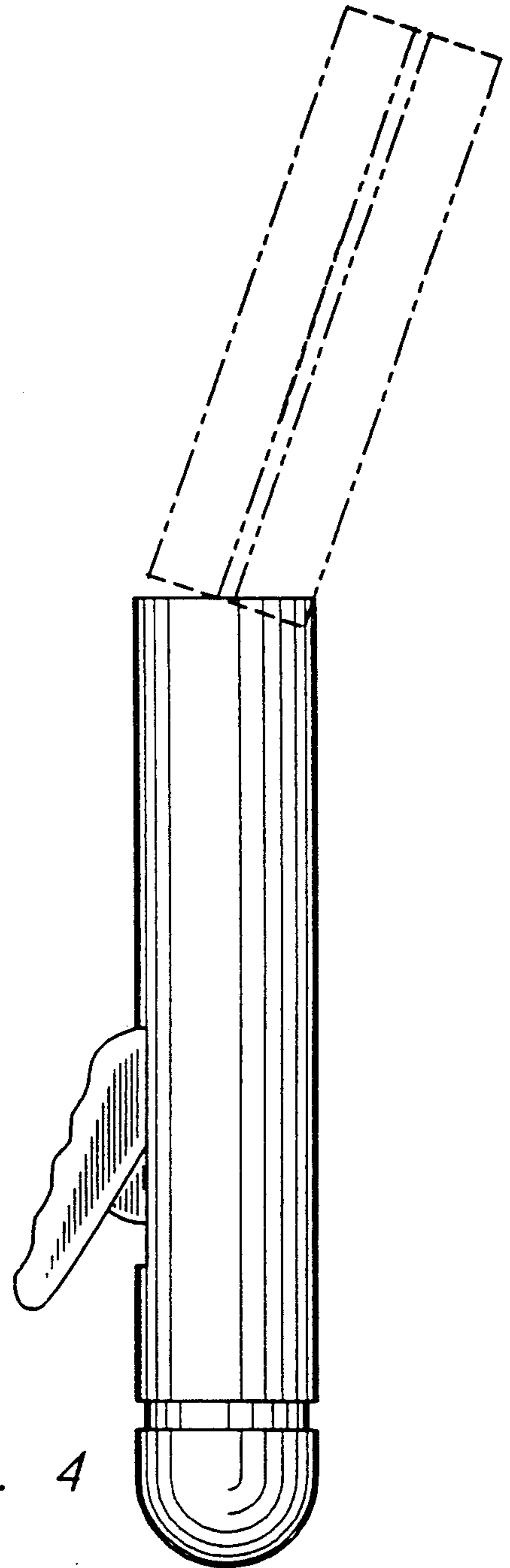


FIG. 4

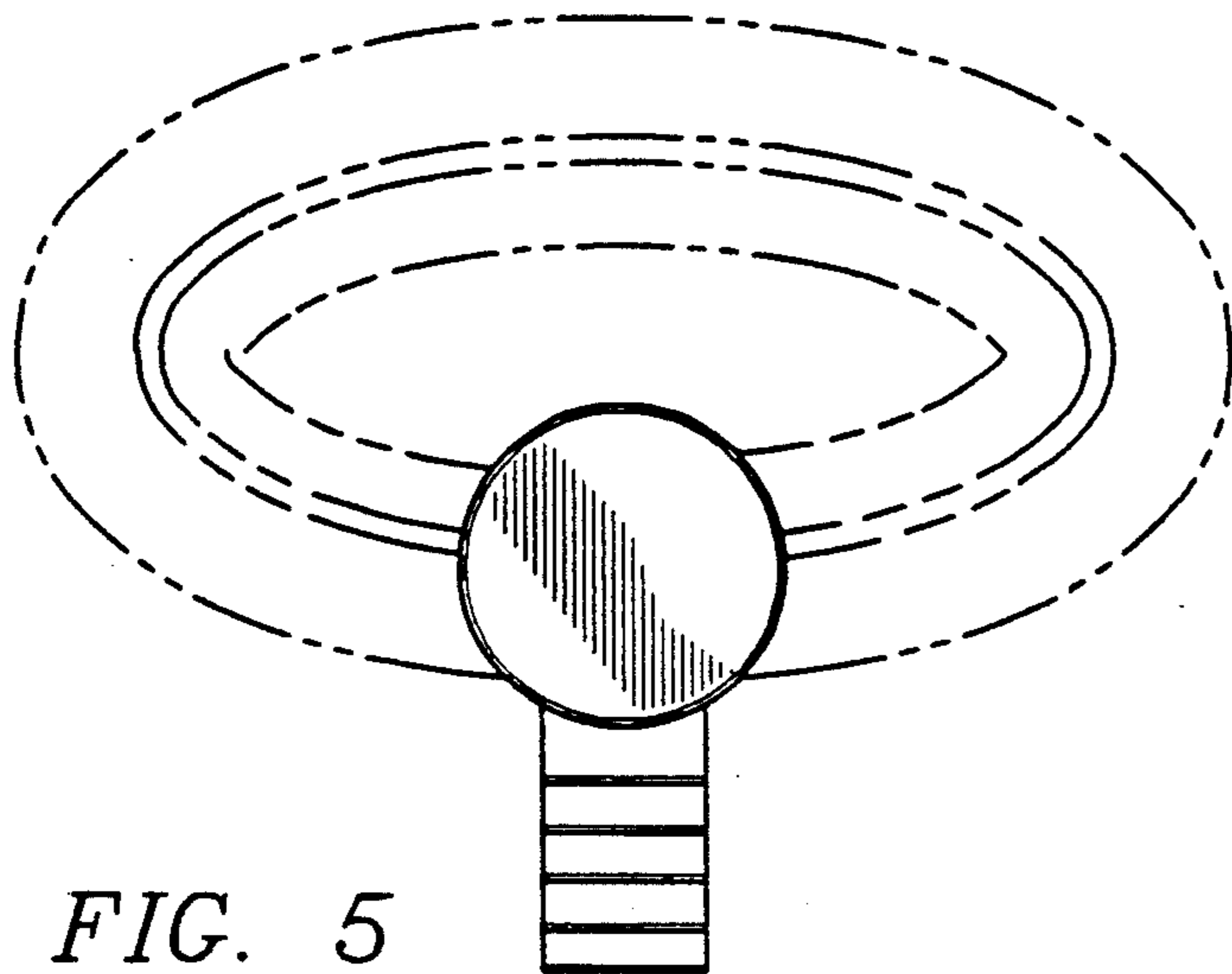


FIG. 5

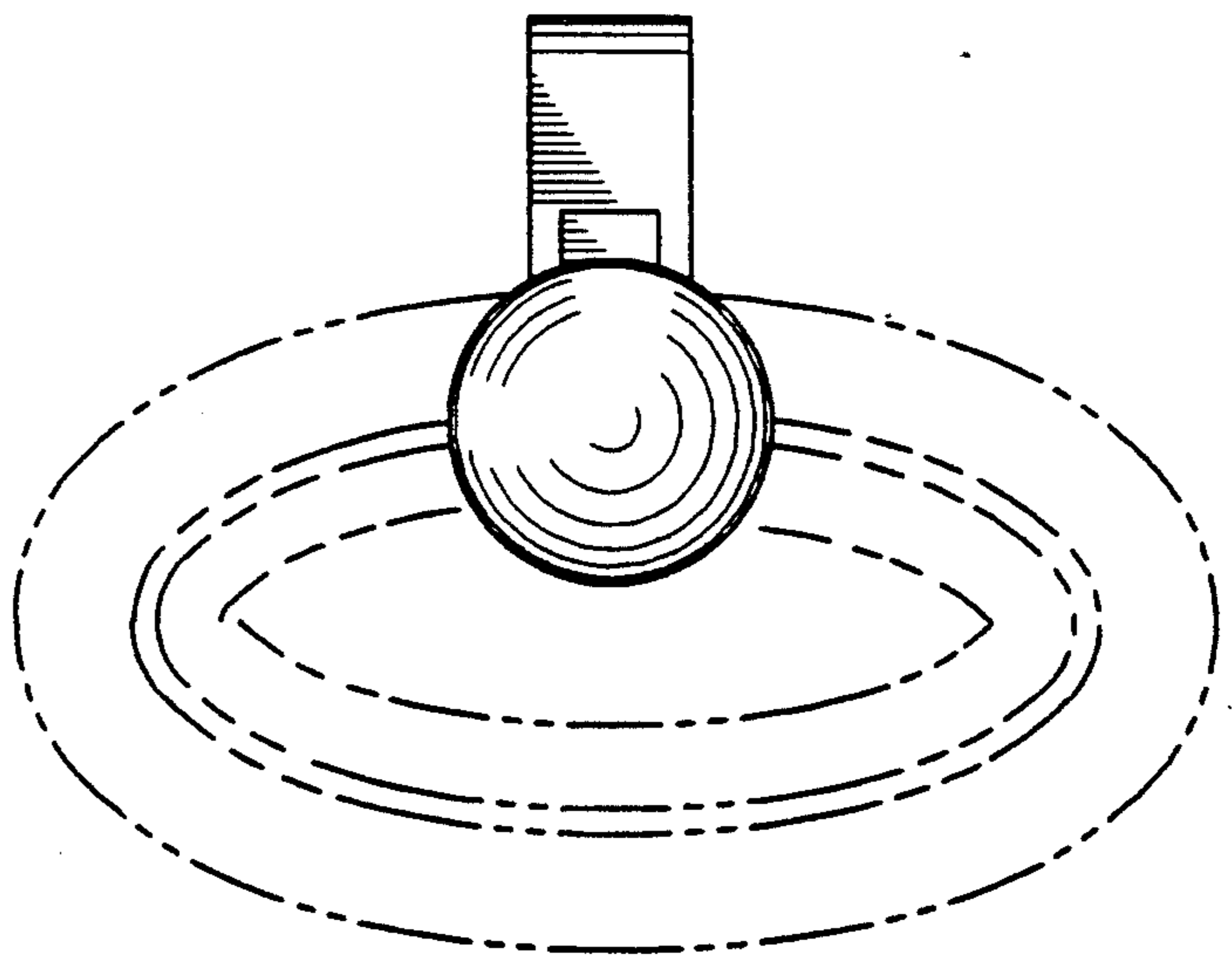


FIG. 6