



US00D332341S

United States Patent [19]
Mayfield

[11] **Patent Number: Des. 332,341**
[45] **Date of Patent: ** Jan. 5, 1993**

[54] **MAILBOX HANDLE**
[76] **Inventor: Ralph L. Mayfield, 1233 Lydia, Wichita, Kans. 67213**
[**] **Term: 14 Years**
[21] **Appl. No.: 567,328**
[22] **Filed: Aug. 13, 1990**
[52] **U.S. Cl. D99/29; D8/319**
[58] **Field of Search D8/315, 319; D99/29-33; 16/124, 125; 232/17, 19, 39**

4,316,575 2/1982 VanDarwarka .
4,508,259 4/1985 Hicks 232/39
4,934,592 6/1990 DiMenichi 232/17

Primary Examiner—B. J. Bullock
Attorney, Agent, or Firm—Shook, Hardy & Bacon

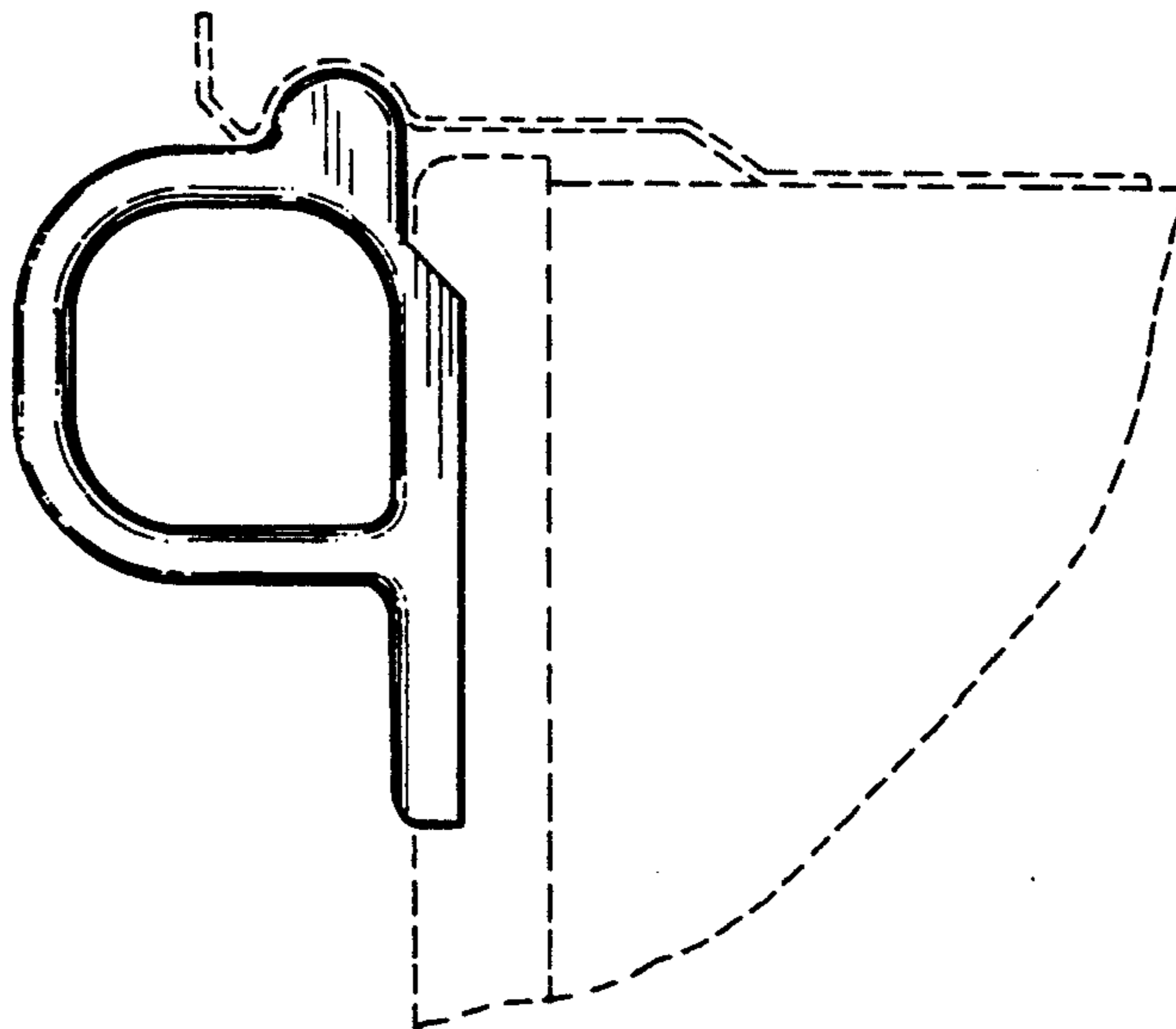
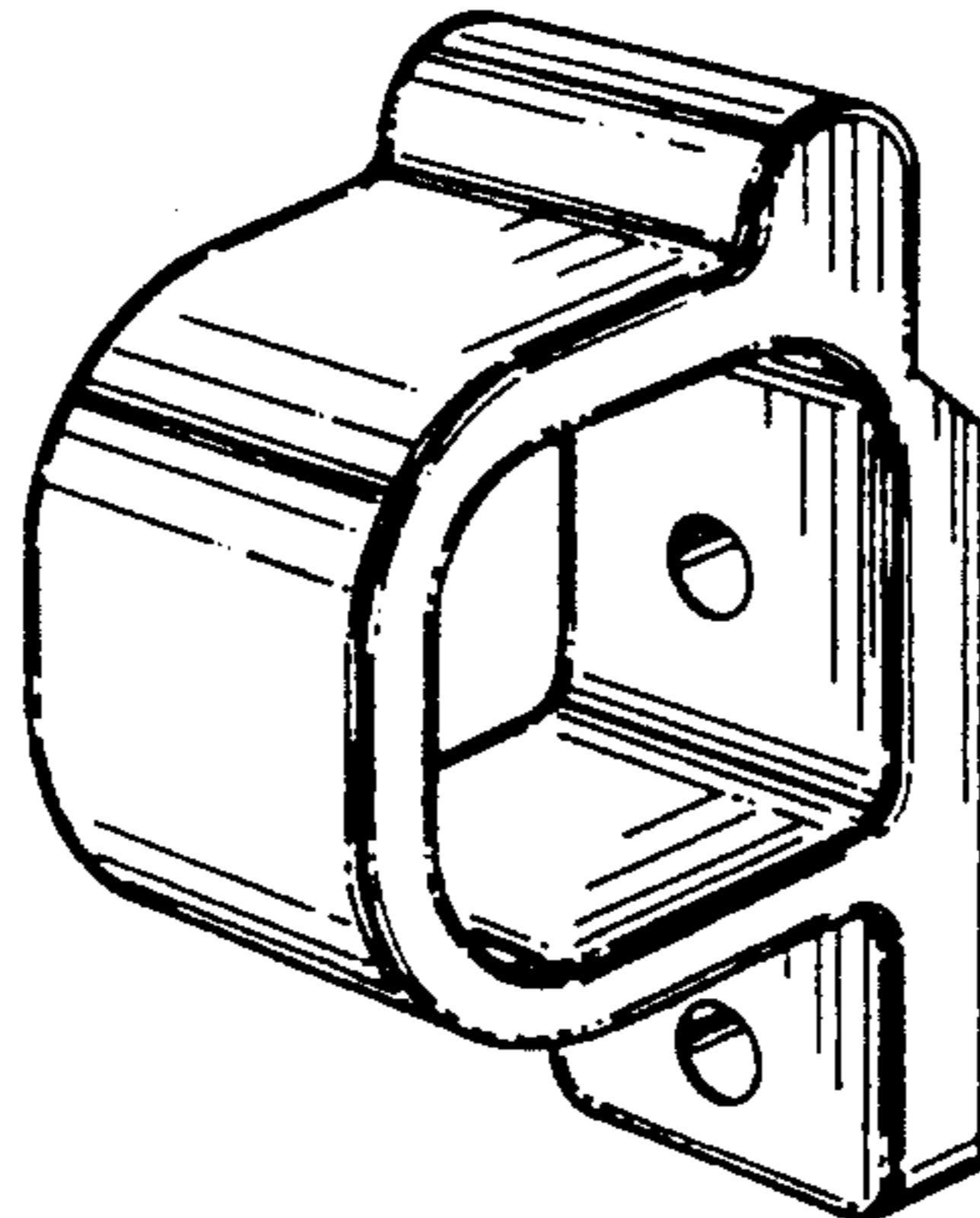
[57] **CLAIM**

The ornamental design for a mailbox handle, as shown and described.

DESCRIPTION

FIG. 1 is a front perspective view of a mailbox handle embodying my new design;
FIG. 2 is a front elevational view thereof;
FIG. 3 is a right side elevational view thereof, the left side being a mirror image of the side shown, a mailbox and latch appearing fragmentarily in dash lines to illustrate the environment in which the handle is used, the material shown in dash lines forming no part of the present invention;
FIG. 4 is a rear elevational view thereof;
FIG. 5 is a top plan view thereof; and,
FIG. 6 is a bottom plan view thereof.

[56] **References Cited**
U.S. PATENT DOCUMENTS
D. 172,997 9/1954 Stallings D99/32
D. 199,290 9/1964 Duncan et al. D99/29
270,044 1/1883 Fieder .
918,899 4/1909 Oliver .
2,334,478 11/1943 Corson, Jr. .
2,852,185 9/1958 Stouten .
3,650,464 3/1972 Lewis .
3,733,026 5/1973 Rowe et al. 232/17
4,244,512 1/1981 Wise D99/32



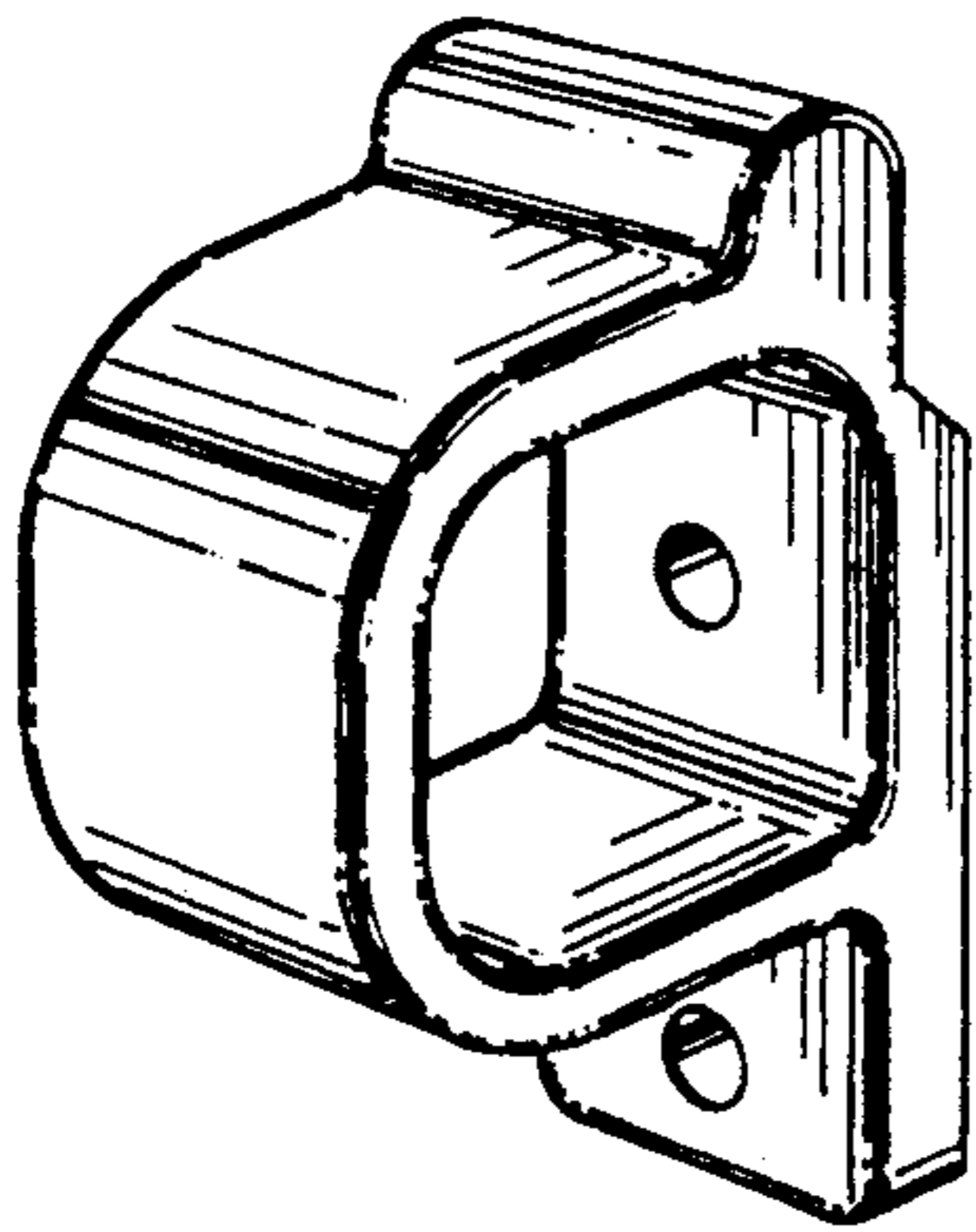


Fig. 1.

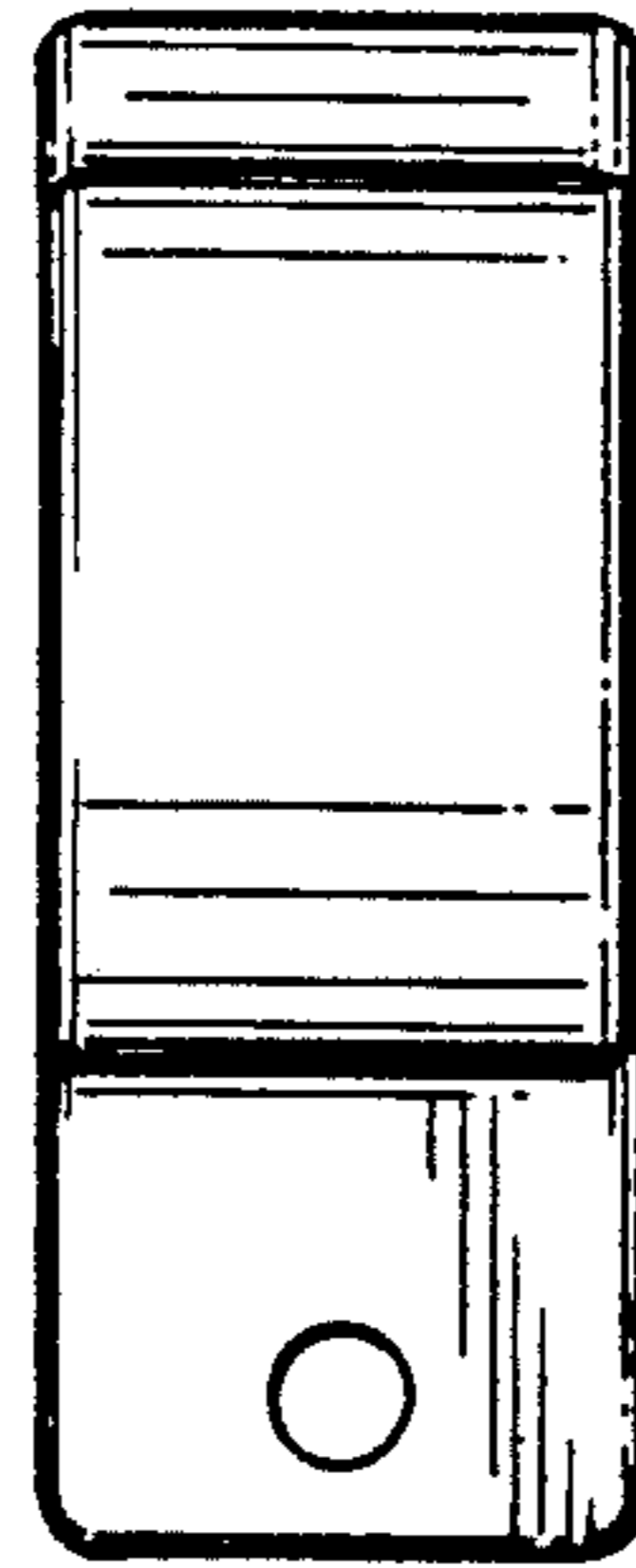


Fig. 2.

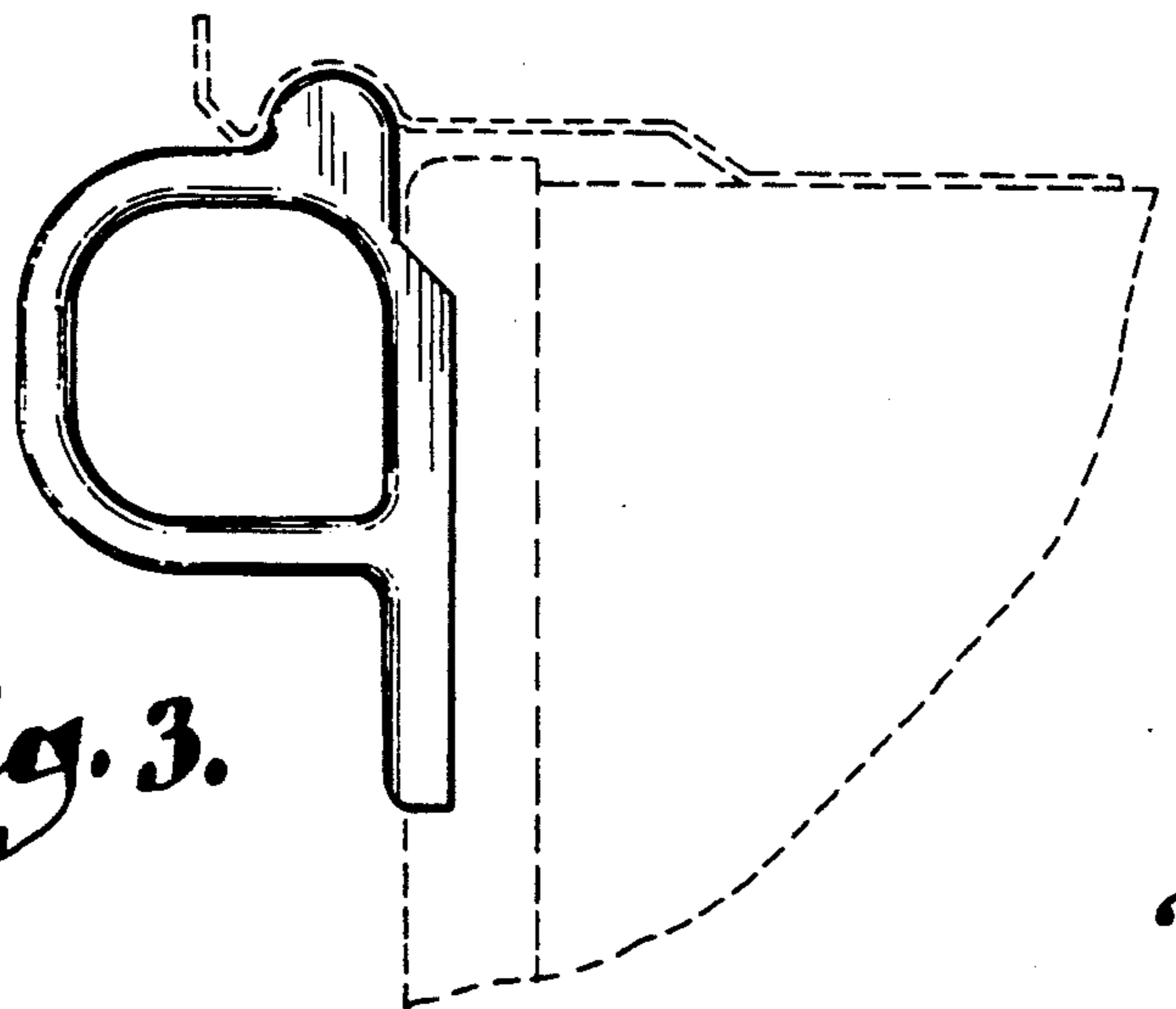


Fig. 3.

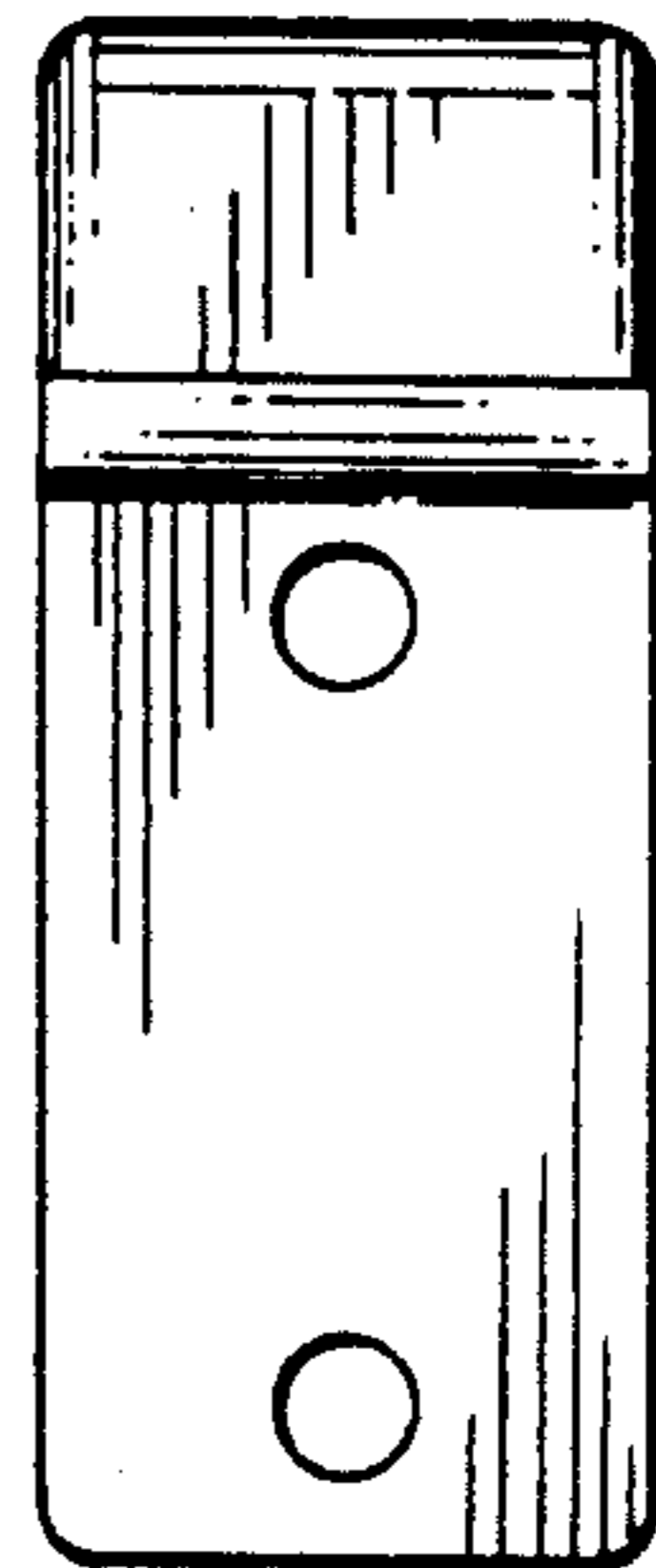


Fig. 4.

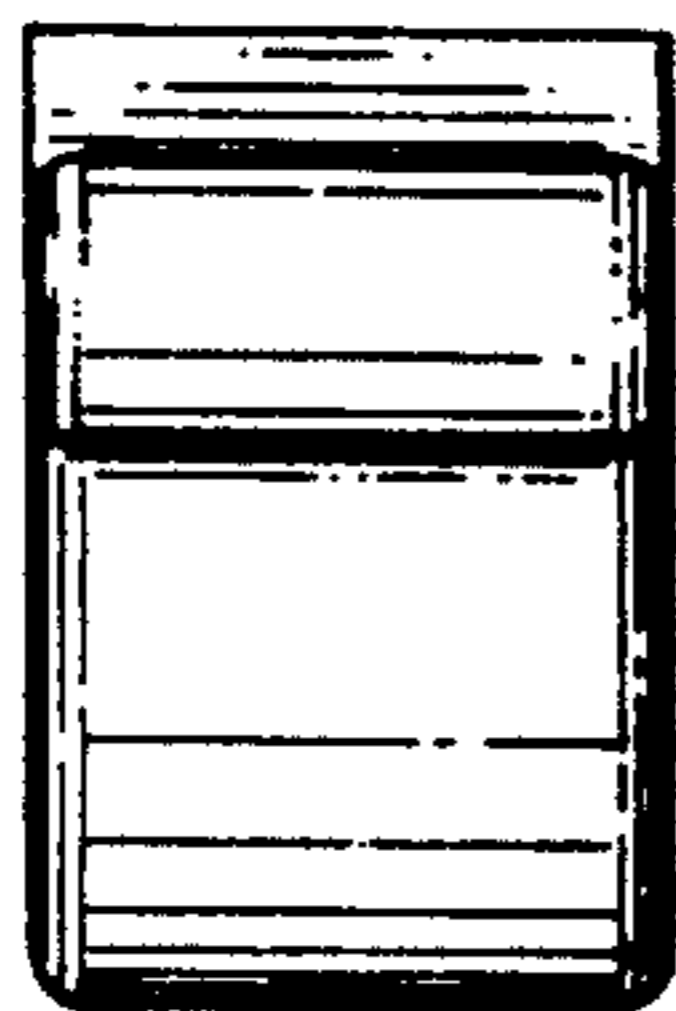


Fig. 5.

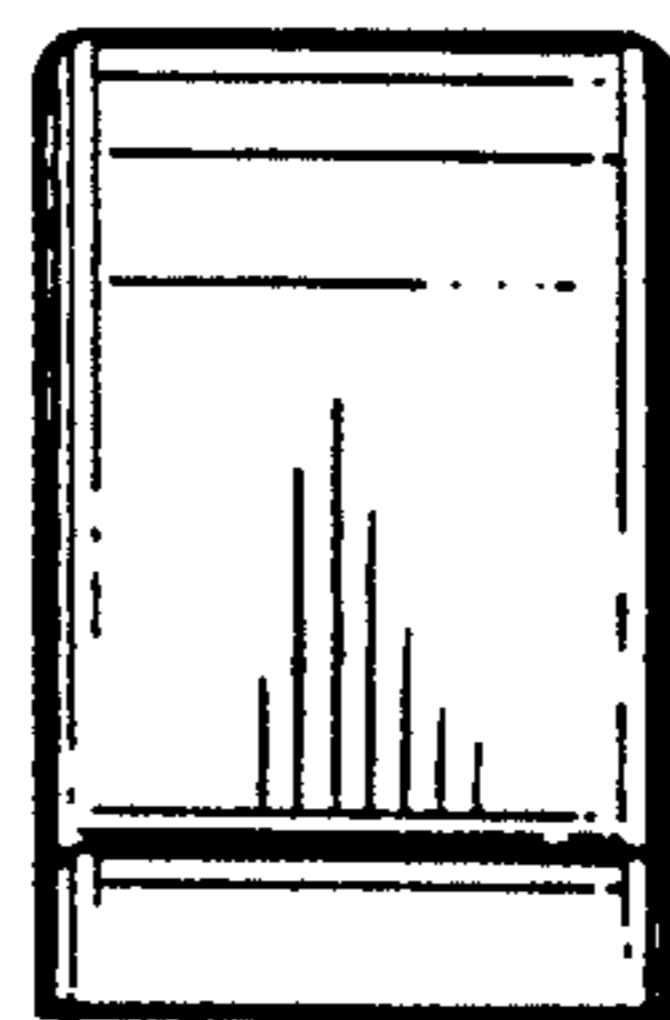


Fig. 6.