



US00D332338S

# United States Patent [19]

[11] Patent Number: **Des. 332,338**

MacDonald et al.

[45] Date of Patent: **\*\* Jan. 5, 1993**

[54] SET OF JAWS FOR ENGAGING A SHEET METAL SUPPORT WALL

4,008,814 2/1977 Kral et al. .... 414/622

[75] Inventors: **Ian R. MacDonald; Ian G. MacDonald; Cameron J. MacDonald,** all of Mount Tamborine, Australia

*Primary Examiner*—Bernard Ansher  
*Assistant Examiner*—Philip Hyder  
*Attorney, Agent, or Firm*—Larson and Taylor

[73] Assignee: **Cenefill Pty Ltd.,** Brisbane, Australia

[57] **CLAIM**

[\*\*] Term: **14 Years**

The ornamental design of a set of jaws for engaging a sheet metal support wall, as shown and described.

[21] Appl. No.: **508,734**

**DESCRIPTION**

[22] Filed: **Apr. 13, 1990**

FIG. 1 is a perspective view of a set of jaws for engaging a sheet metal support wall showing my new design; FIG. 2 is a top plan view of the first element of the set; FIG. 3 is a front elevational view of FIG. 2; FIG. 4 is a side elevational view of FIG. 2; FIG. 5 is a perspective view of FIG. 2; FIG. 6 is a top plan view of the second element of the set; FIG. 7 is a front elevational view of FIG. 6; FIG. 8 is a side elevational view of FIG. 6; FIG. 9 is a perspective view of FIG. 6; and, FIG. 10 is an alternate perspective view of FIG. 6. The bottom of the first element appears the same as the bottom of the second element shown in FIG. 1.

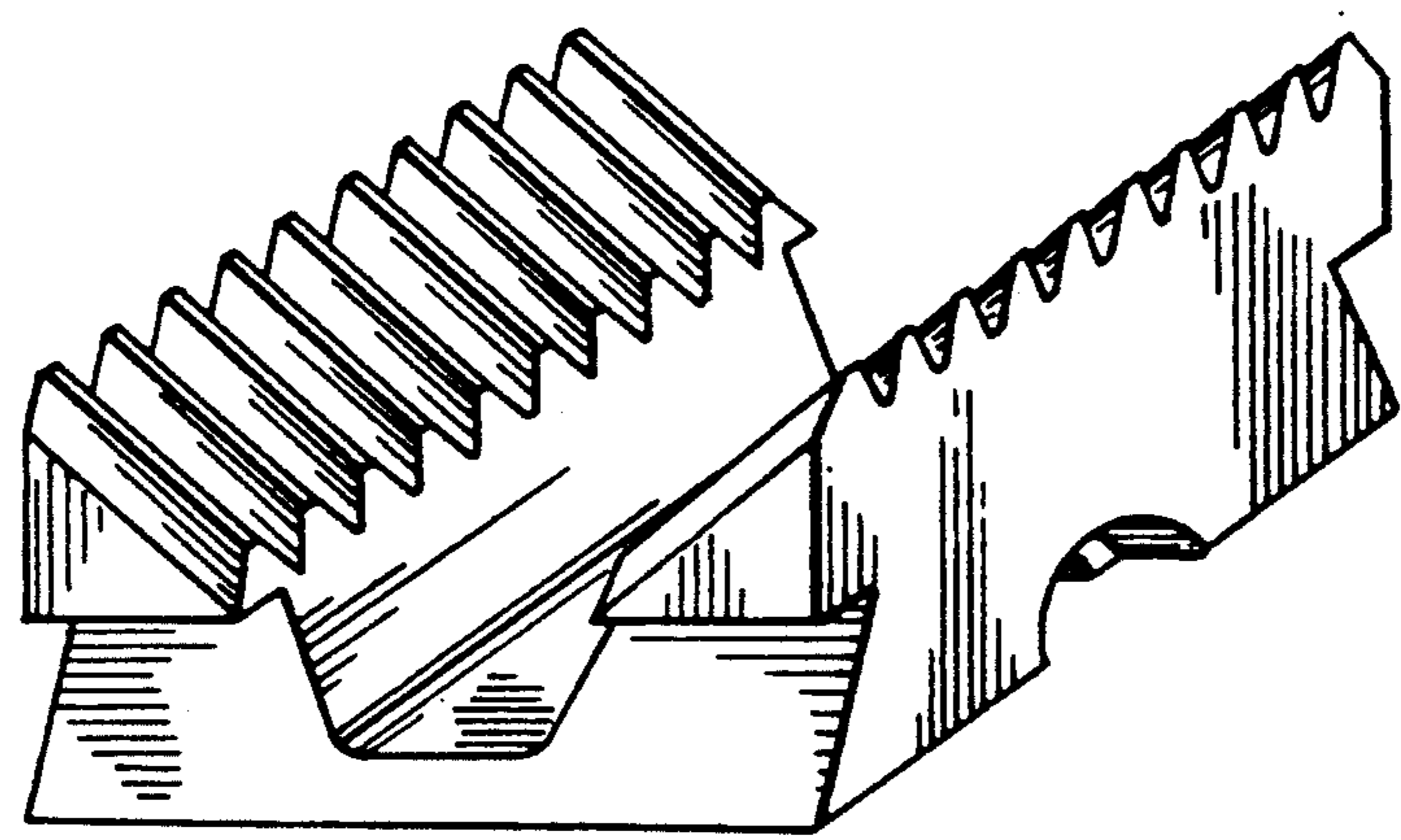
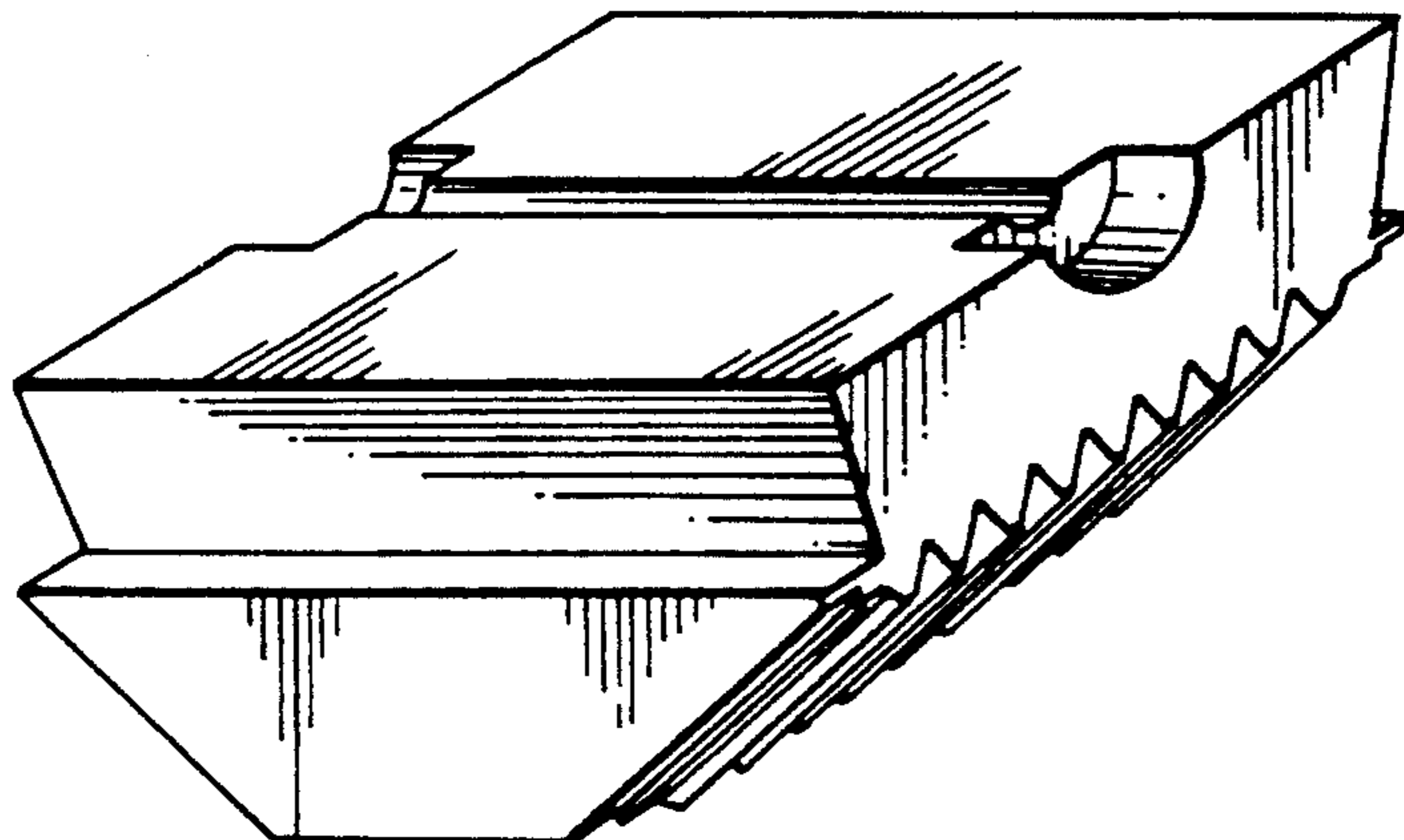
[30] **Foreign Application Priority Data**

Oct. 13, 1989 [AU] Australia ..... 3354/89  
[52] U.S. Cl. .... **D34/35**  
[58] Field of Search ..... D34/35; D8/14, 71, 72; 414/622, 722, 729, 739

[56] **References Cited**

**U.S. PATENT DOCUMENTS**

D. 237,456 11/1975 Ross ..... D8/98  
1,763,351 6/1930 Gfrorer ..... 414/622



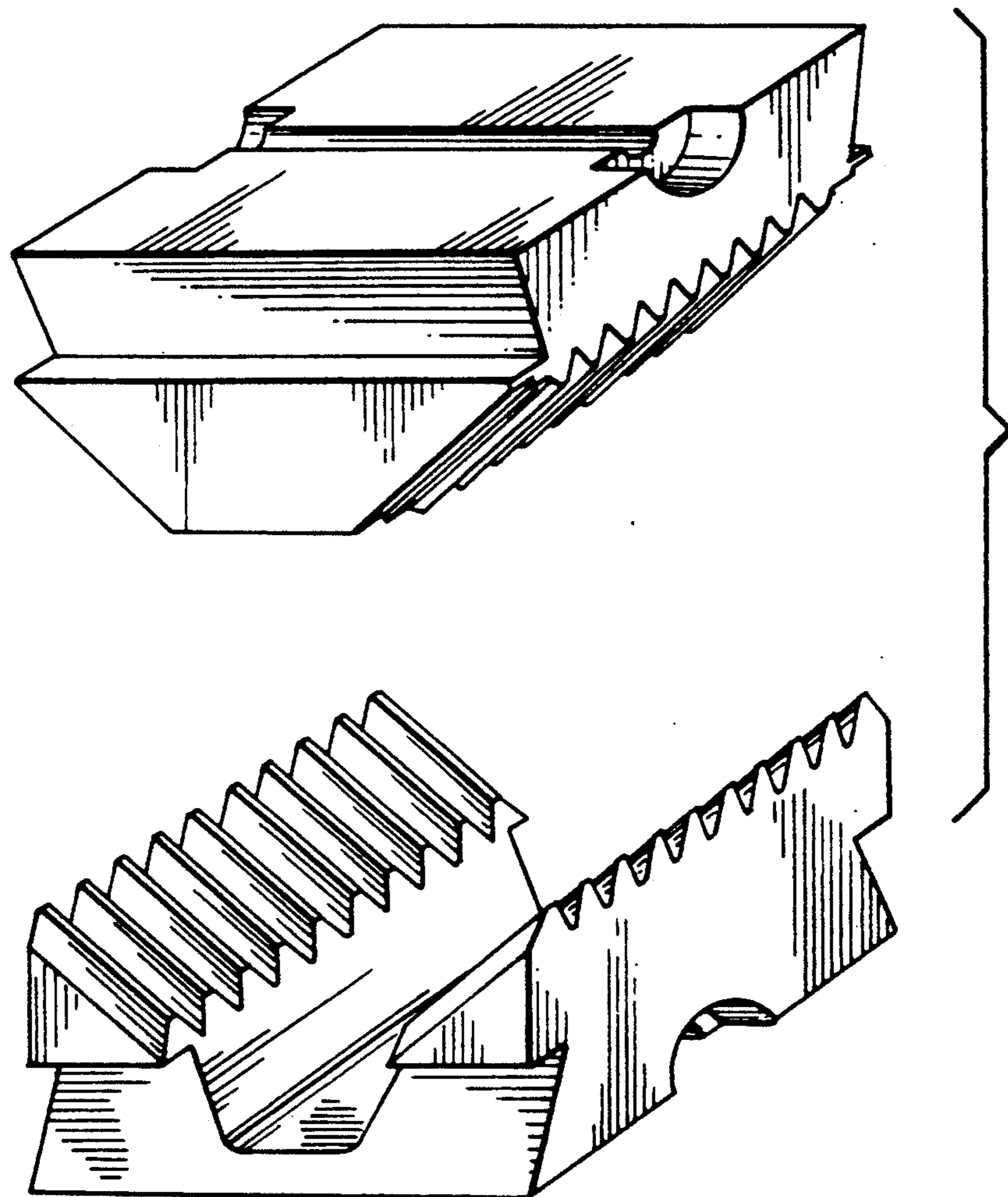


FIG. 1

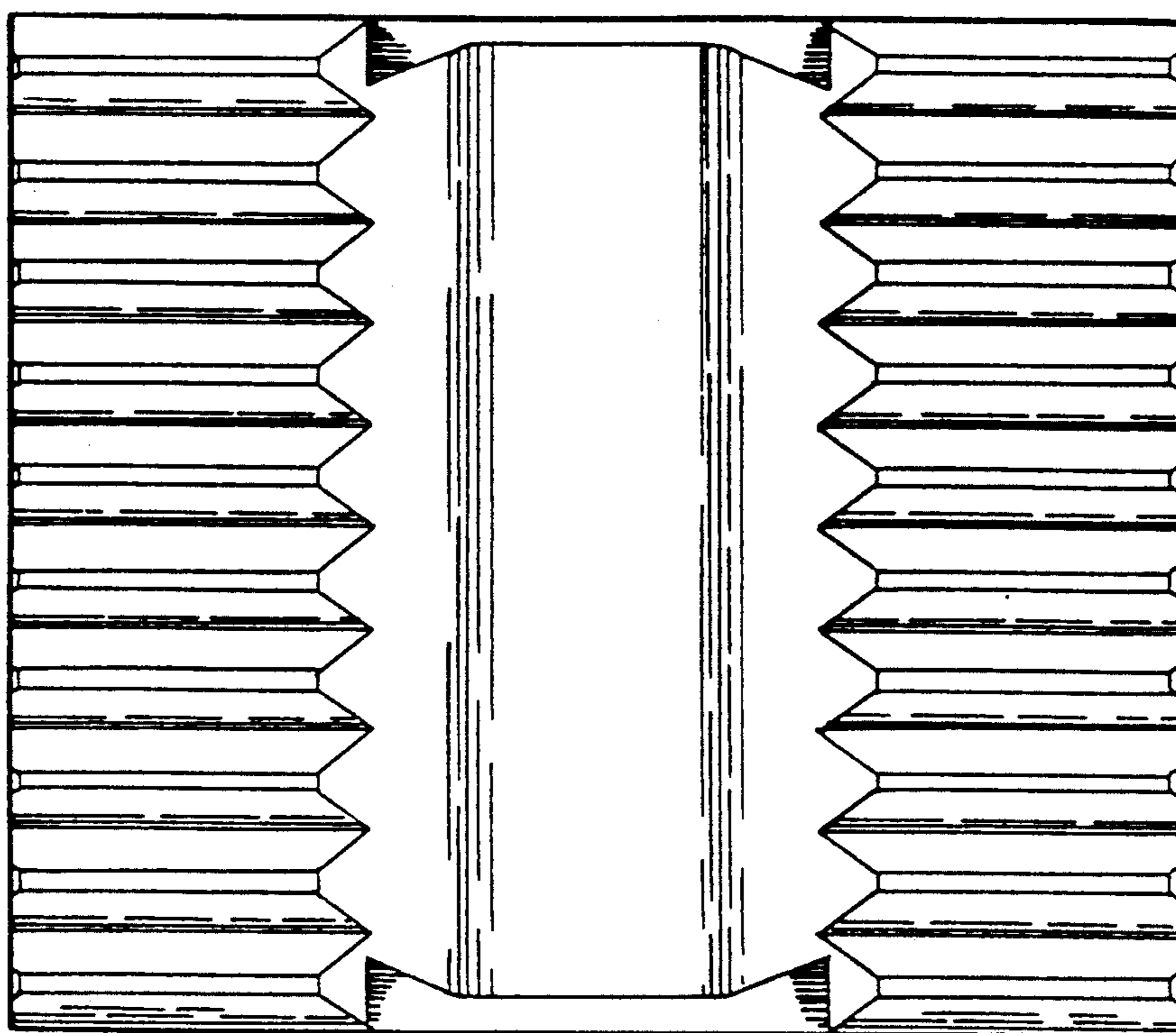


FIG. 2

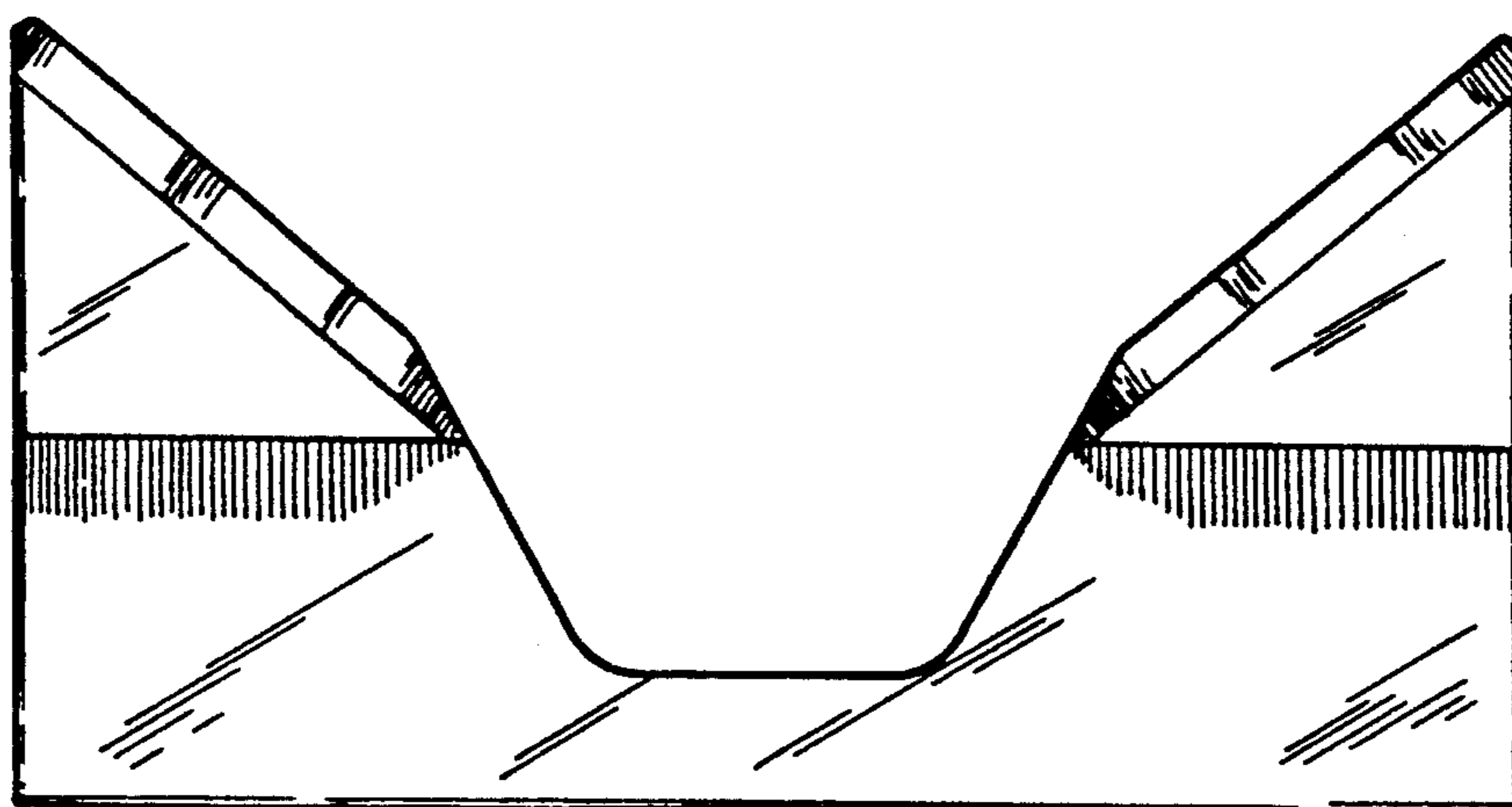


FIG. 3



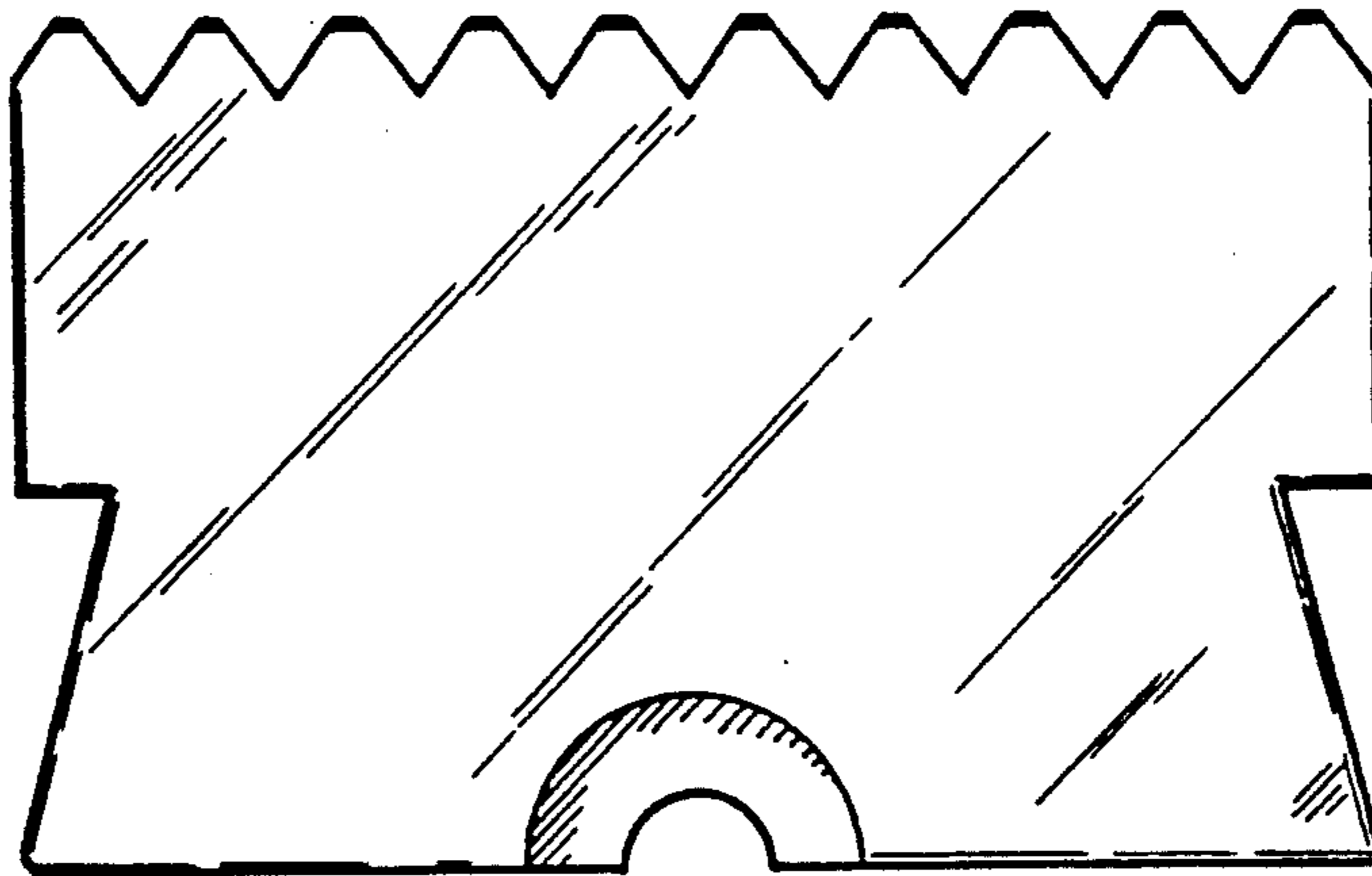


FIG. 4

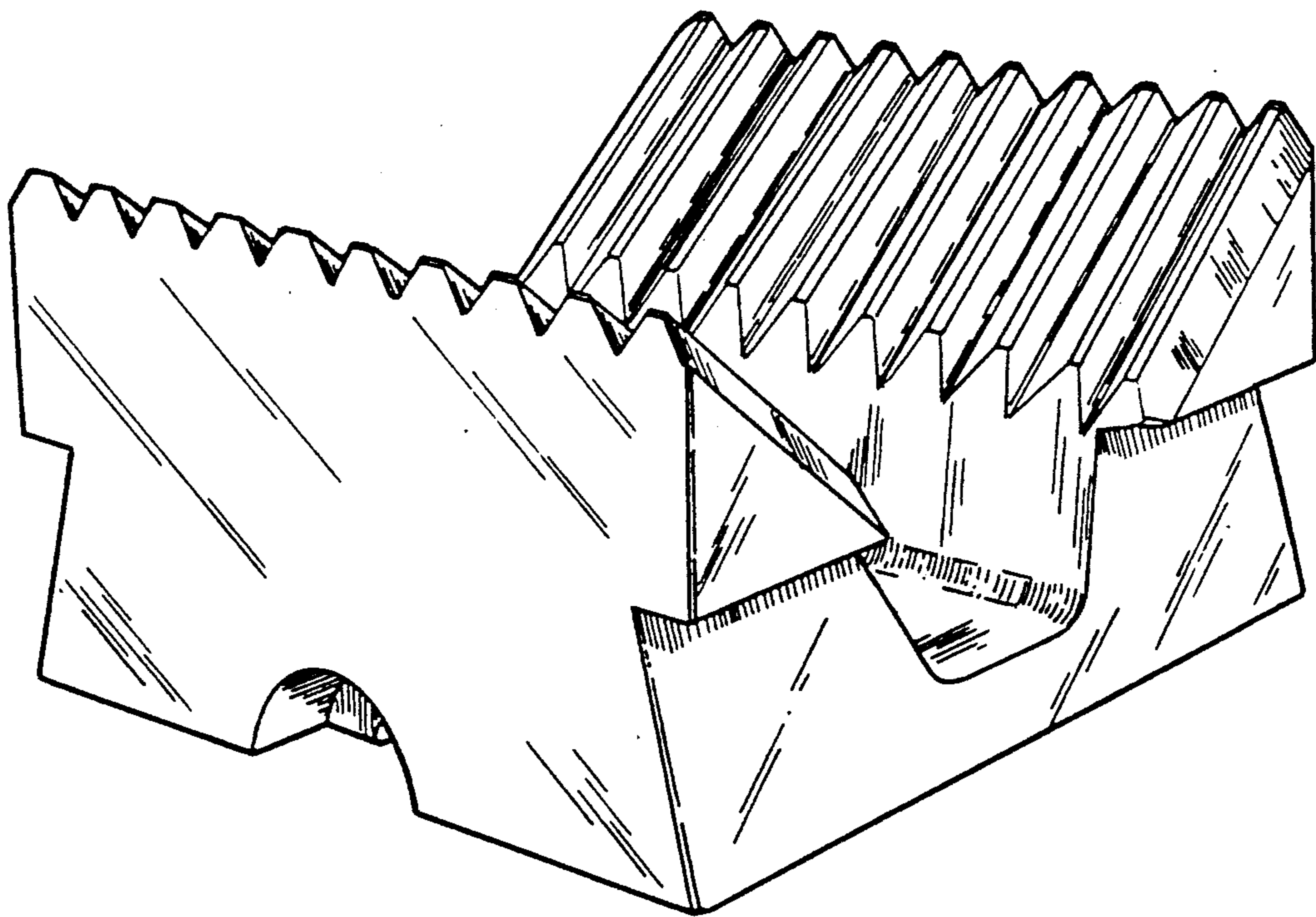


FIG. 5

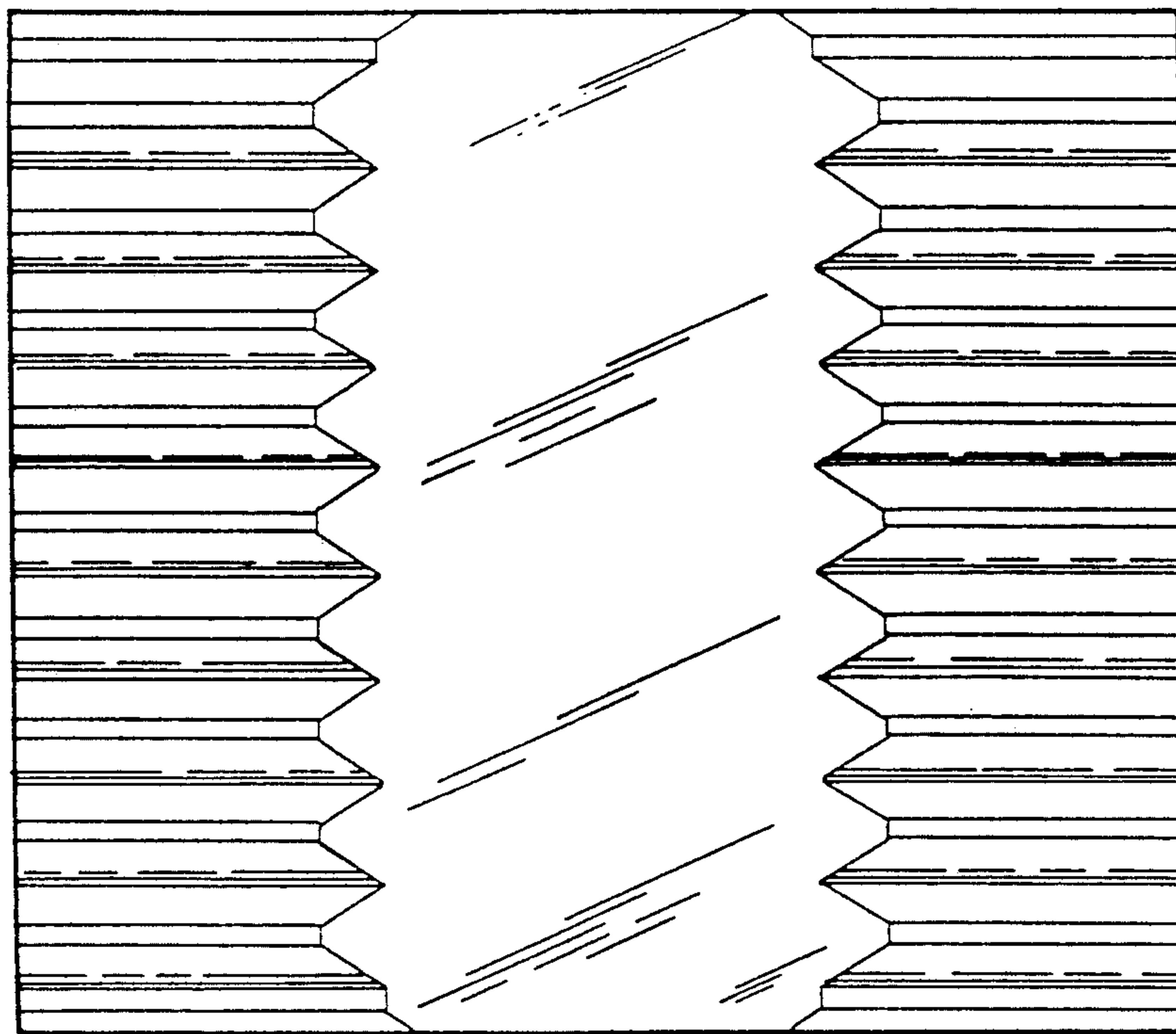


FIG. 6

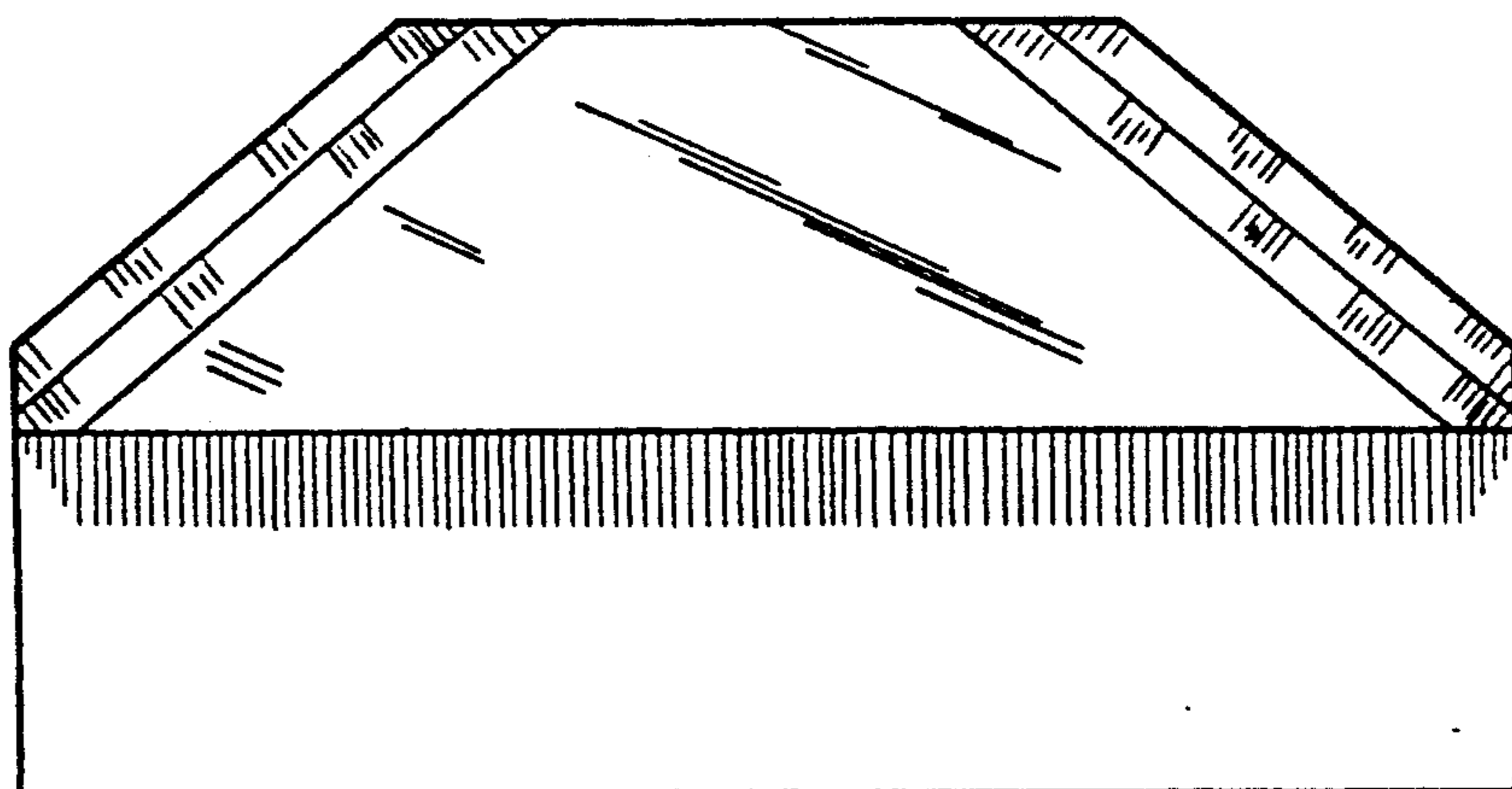


FIG. 7

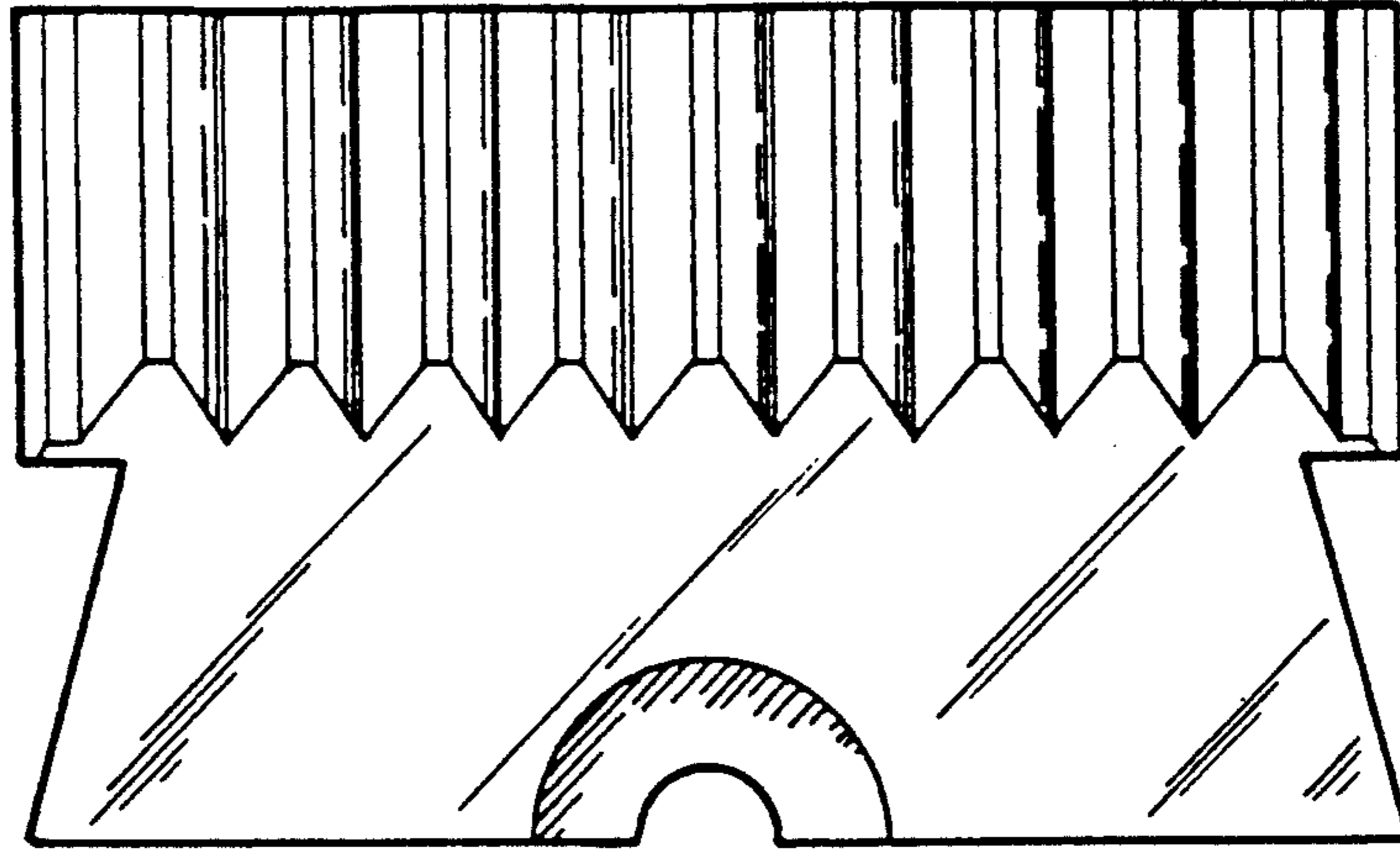


FIG. 8

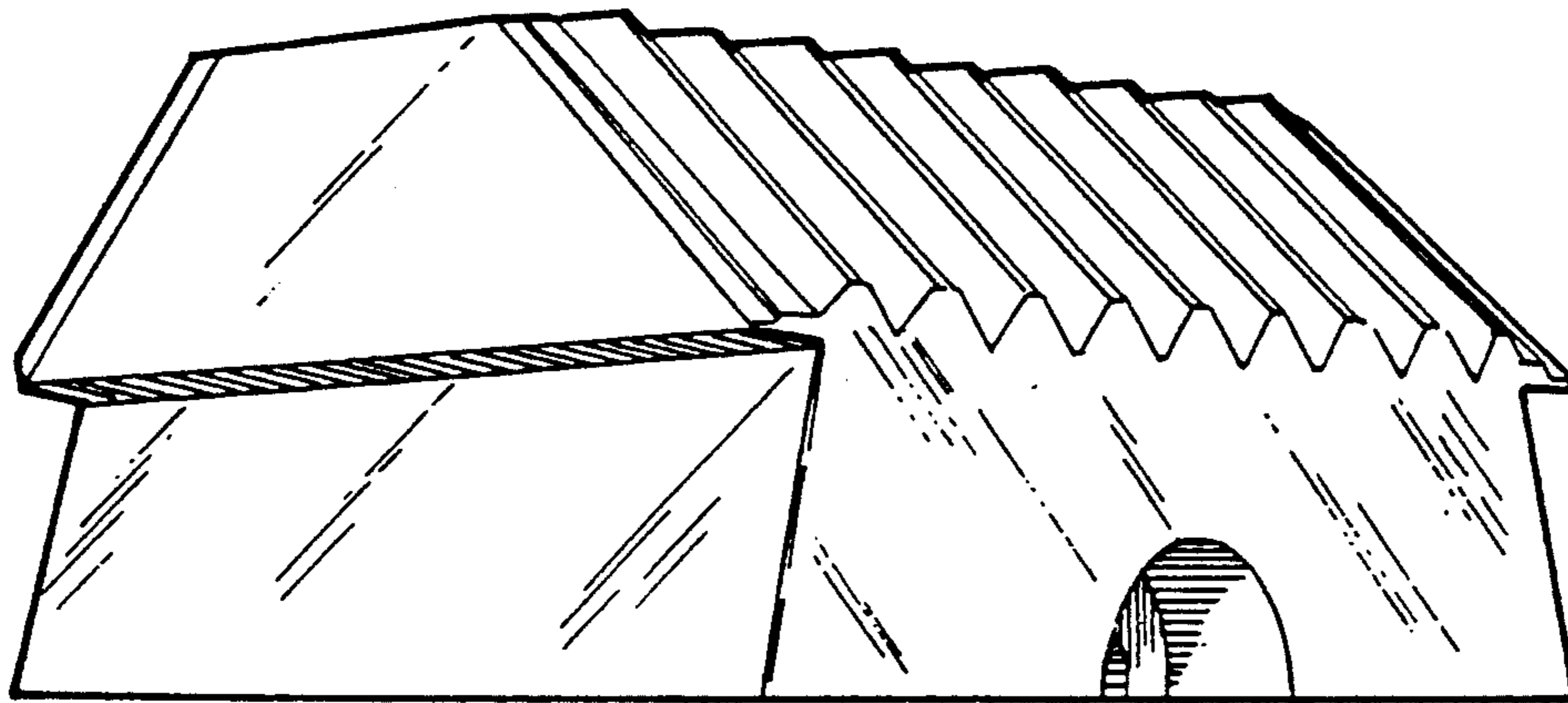


FIG. 9

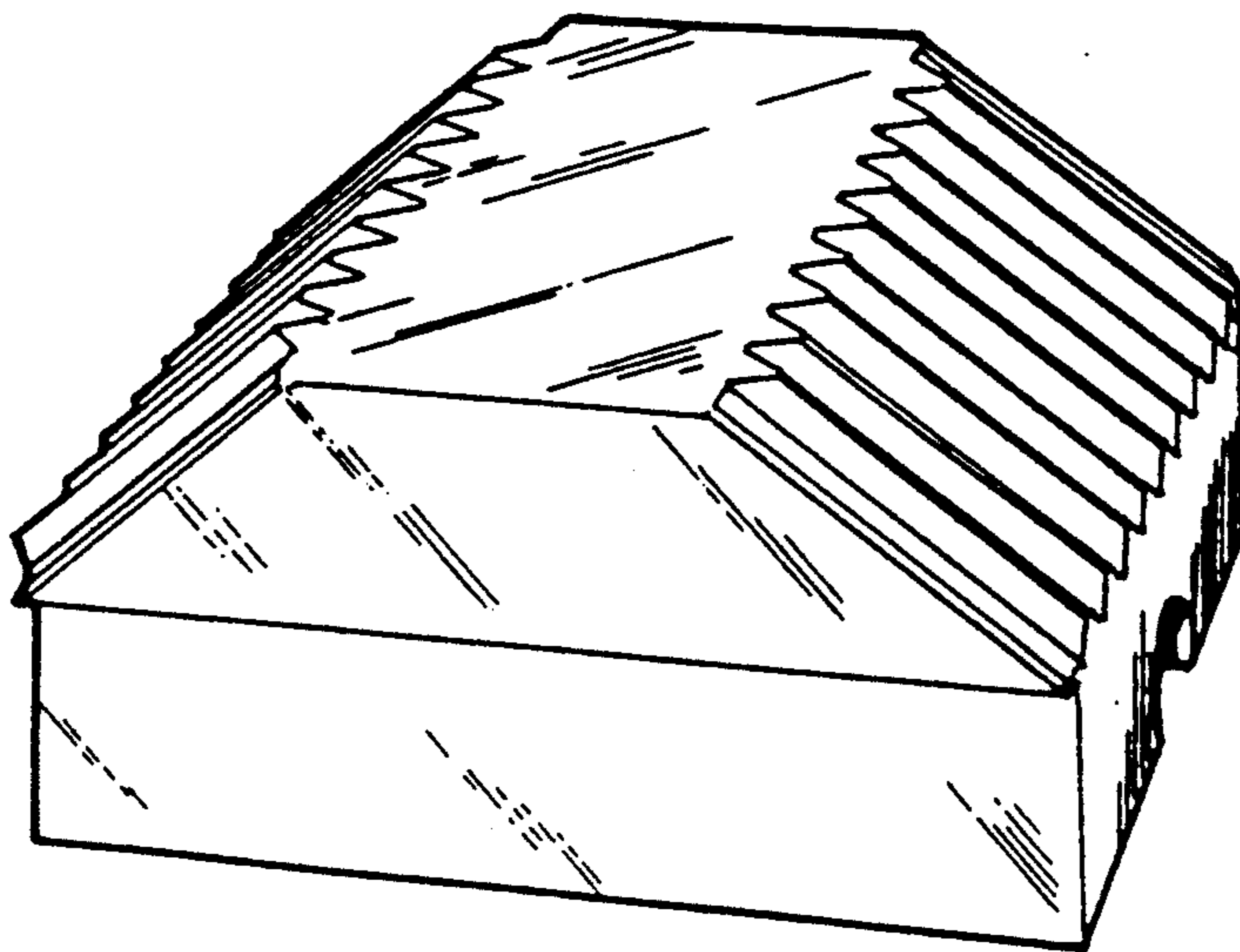


FIG. 10