



US00D332337S

# United States Patent [19]

[11] Patent Number: Des. 332,337

Wang

[45] Date of Patent: \*\* Jan. 5, 1993

[54] JACK

4,635,902	1/1987	Chou	.....	254/8 B
4,850,568	7/1989	Hung	.....	254/8 B
4,964,617	10/1990	Lawrence	.....	254/8 B

[76] Inventor: Ta Chin Wang, No. 269, Sec. 2, An Ho Rd., Tainan, Taiwan

Primary Examiner—Wallace R. Burke  
Assistant Examiner—H. Baynham  
Attorney, Agent, or Firm—Rogers, Howell & Haferkamp

[\*\*] Term: 14 Years

[21] Appl. No.: 658,741

### [57] CLAIM

[22] Filed: Feb. 21, 1991

The ornamental design for a jack, as shown and described.

[52] U.S. Cl. .... D34/31

[58] Field of Search ..... 254/8 B; D34/31

### DESCRIPTION

#### [56] References Cited

##### U.S. PATENT DOCUMENTS

D. 245,493	8/1977	Kenig	.....	D34/31
D. 253,696	12/1979	Suzuki	.....	D34/31
D. 263,128	2/1982	Glover, Jr. et al.	.....	D34/31
D. 296,598	7/1988	Hung	.....	D34/31
2,219,903	10/1940	Pfauser	.....	D34/31 X
4,018,421	4/1977	Tallman	.....	D34/31 X

FIG. 1 is a perspective view of a jack showing my new design;

FIG. 2 is a rear elevational view thereof;

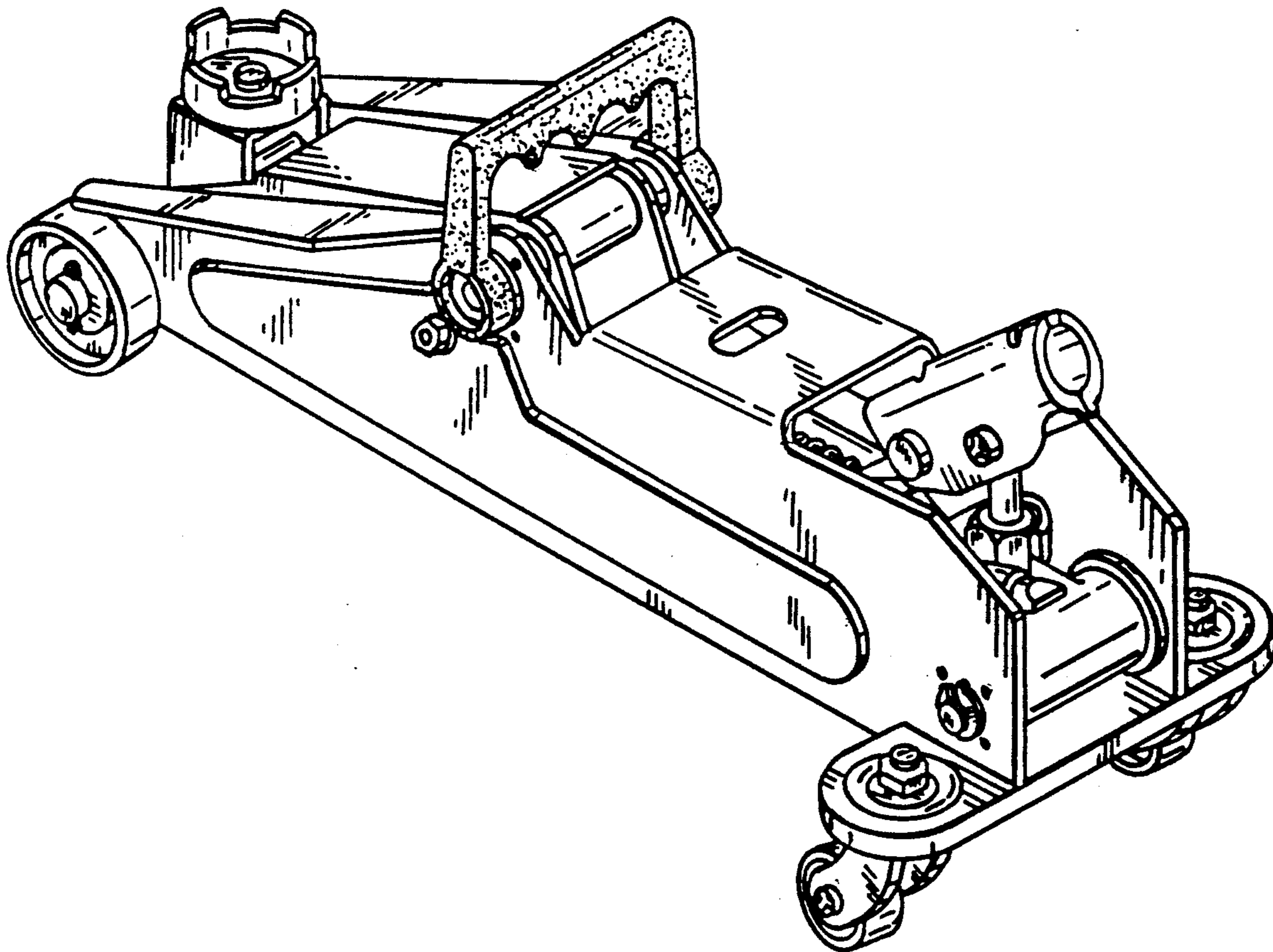
FIG. 3 is a front elevational view thereof;

FIG. 4 is a top plan view thereof;

FIG. 5 is a bottom plan view thereof;

FIG. 6 is a left side elevational view thereof; and,

FIG. 7 is a right side elevational view thereof.



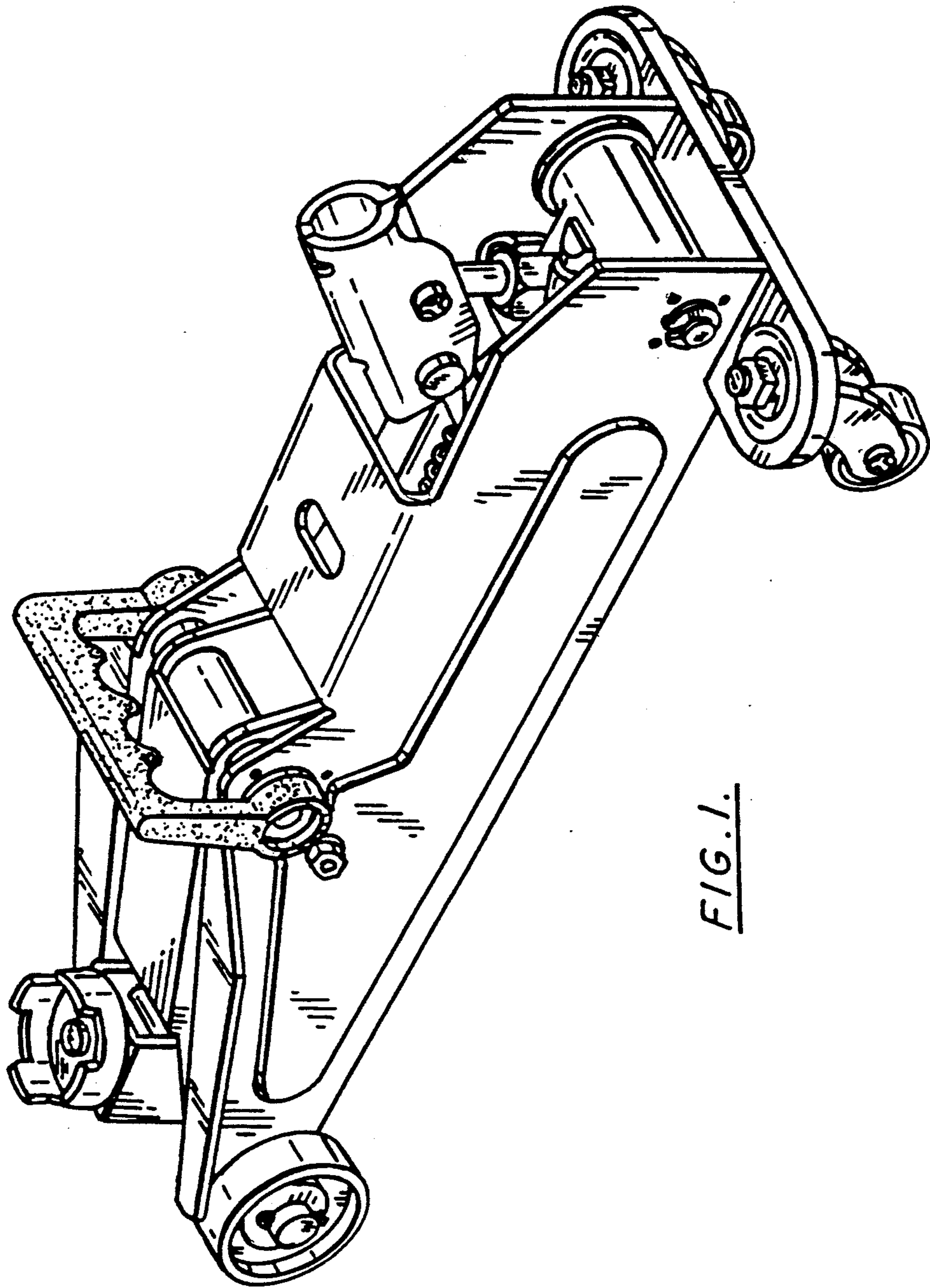


FIG. 1.

FIG. 2.

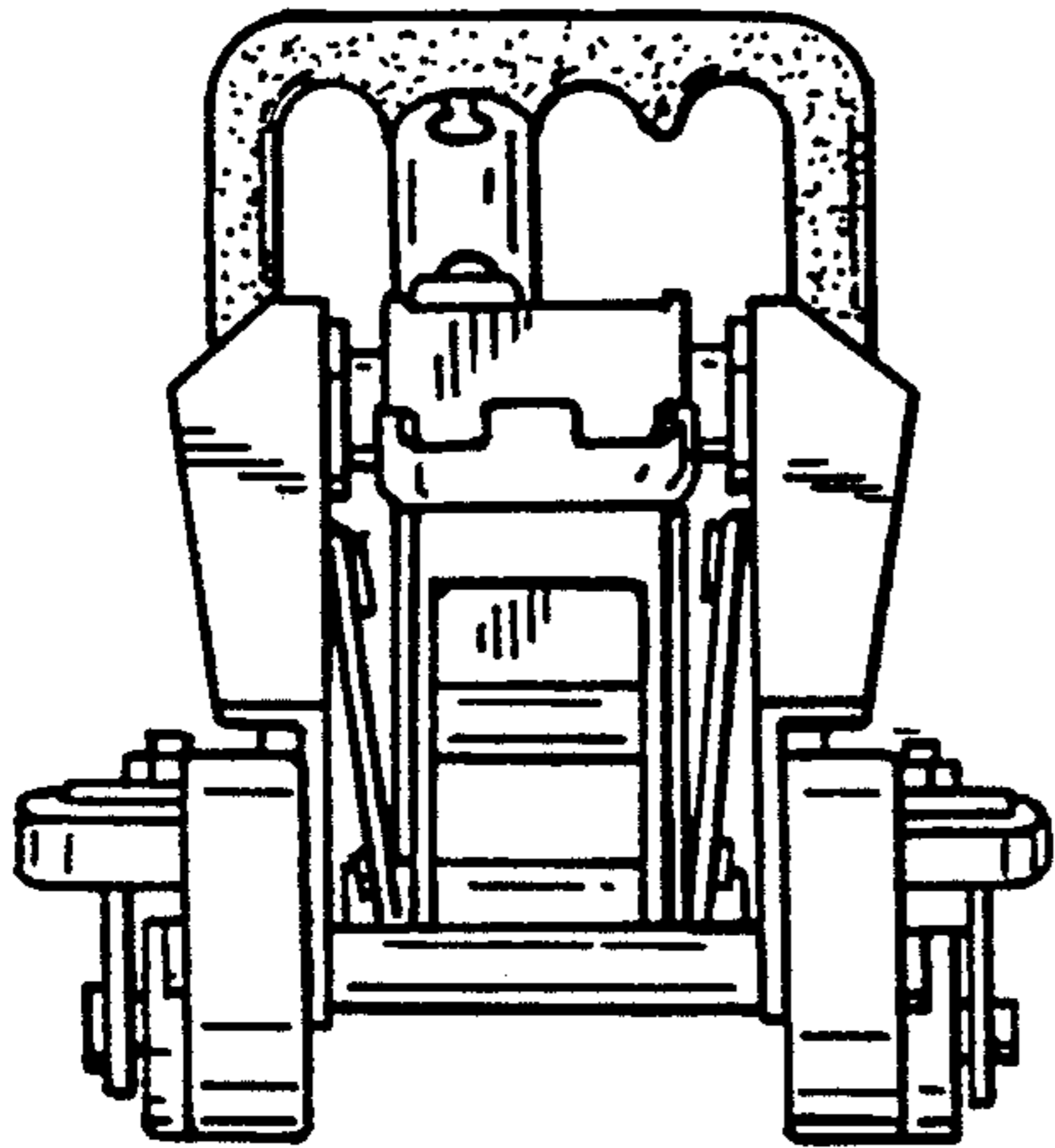


FIG. 3.

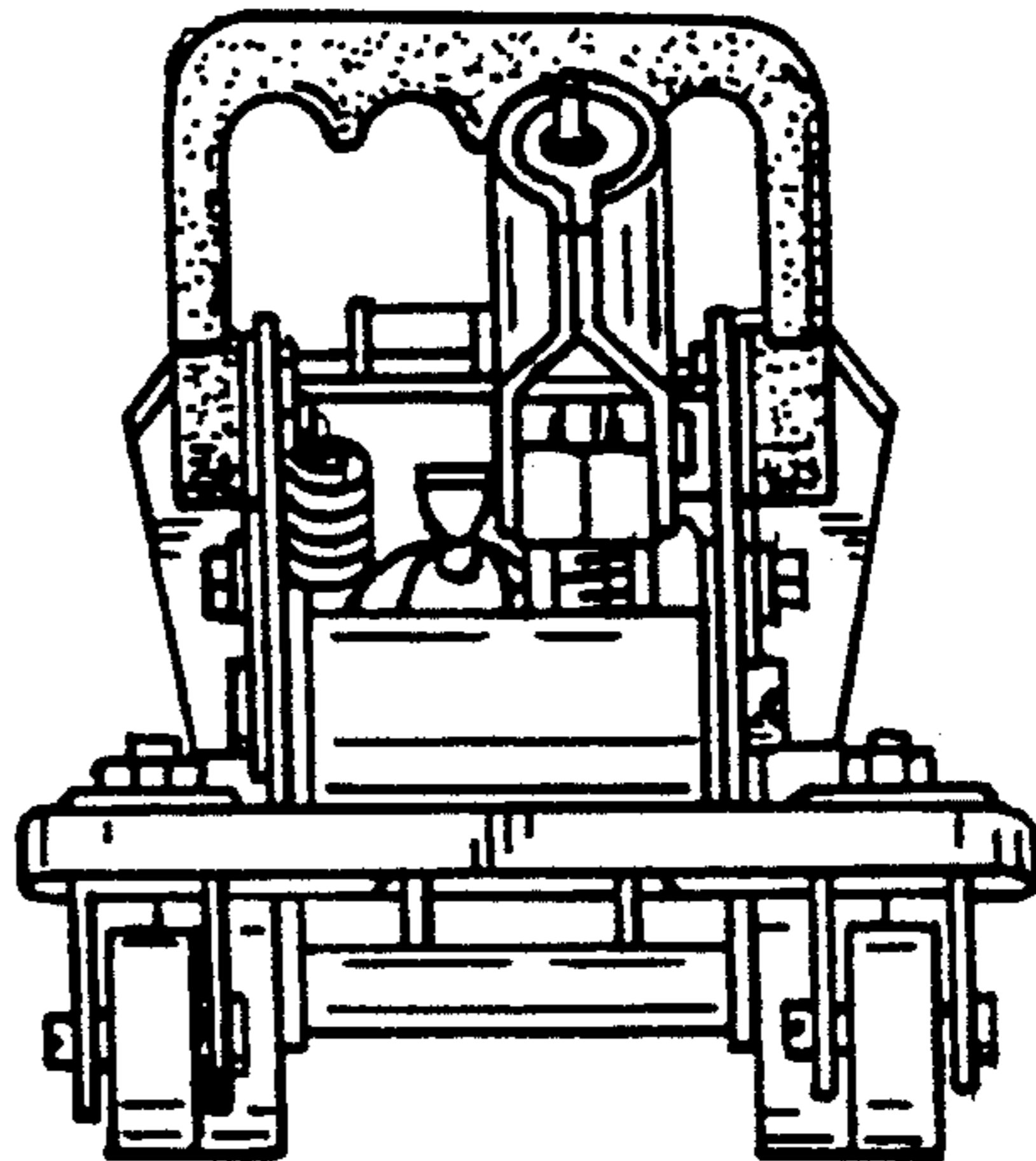


FIG. 4.

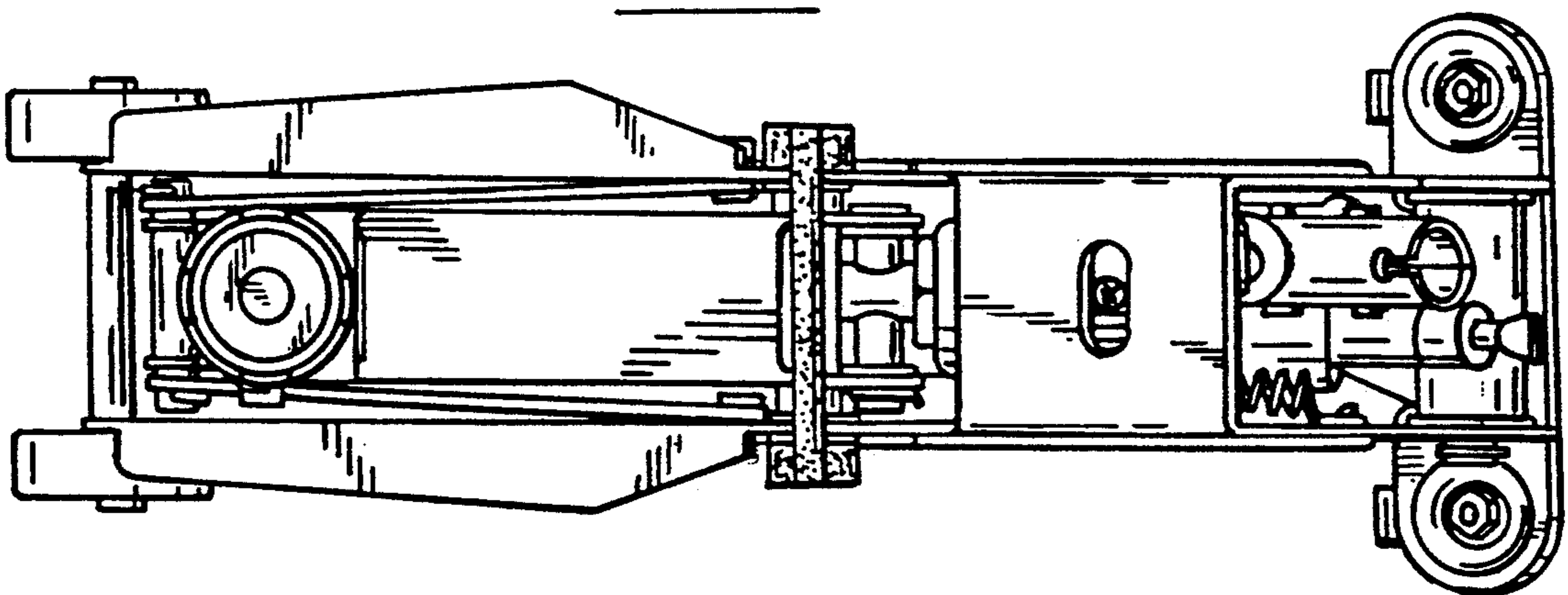


FIG. 5.

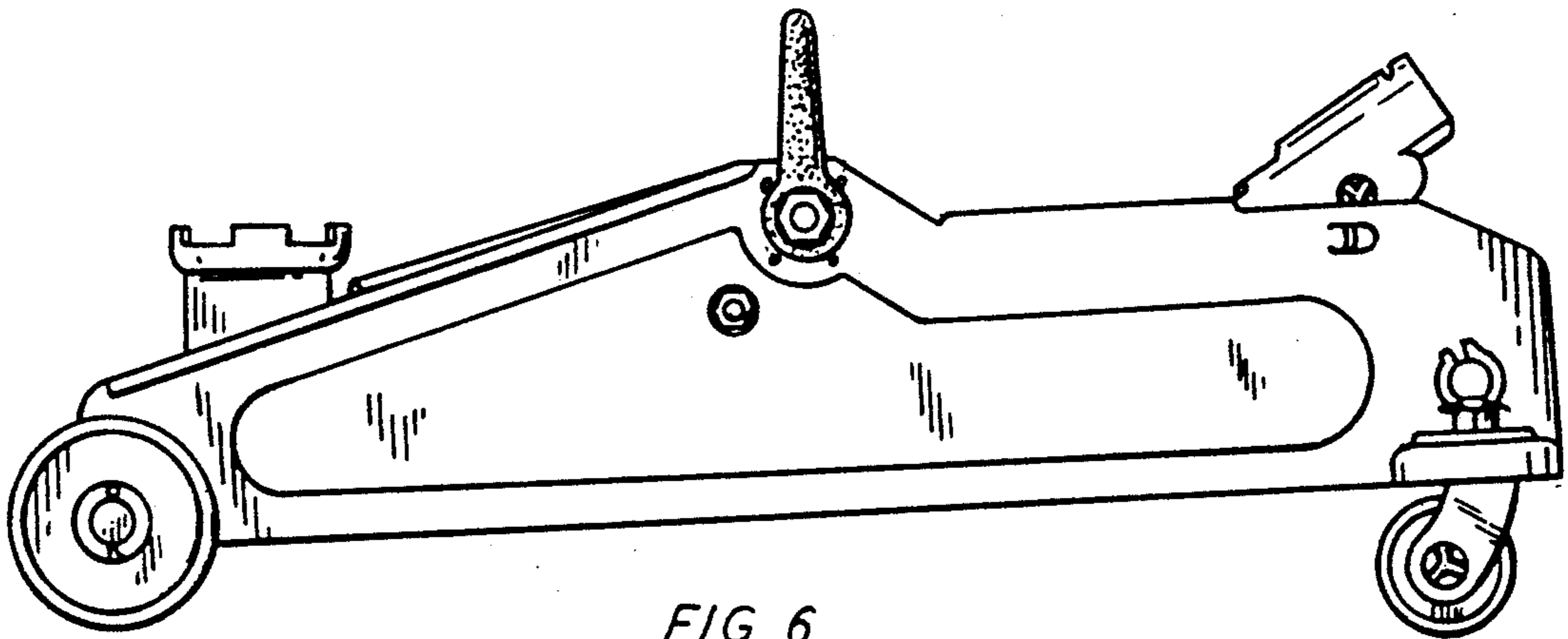
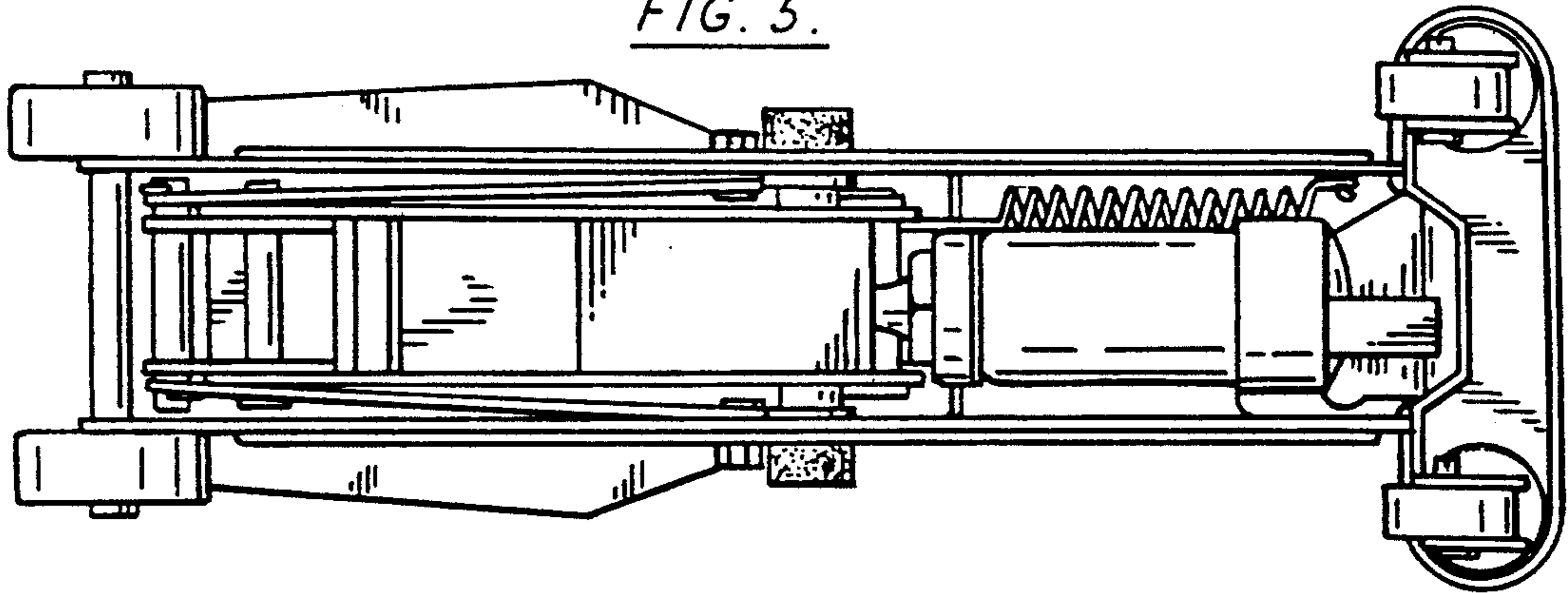


FIG. 6.

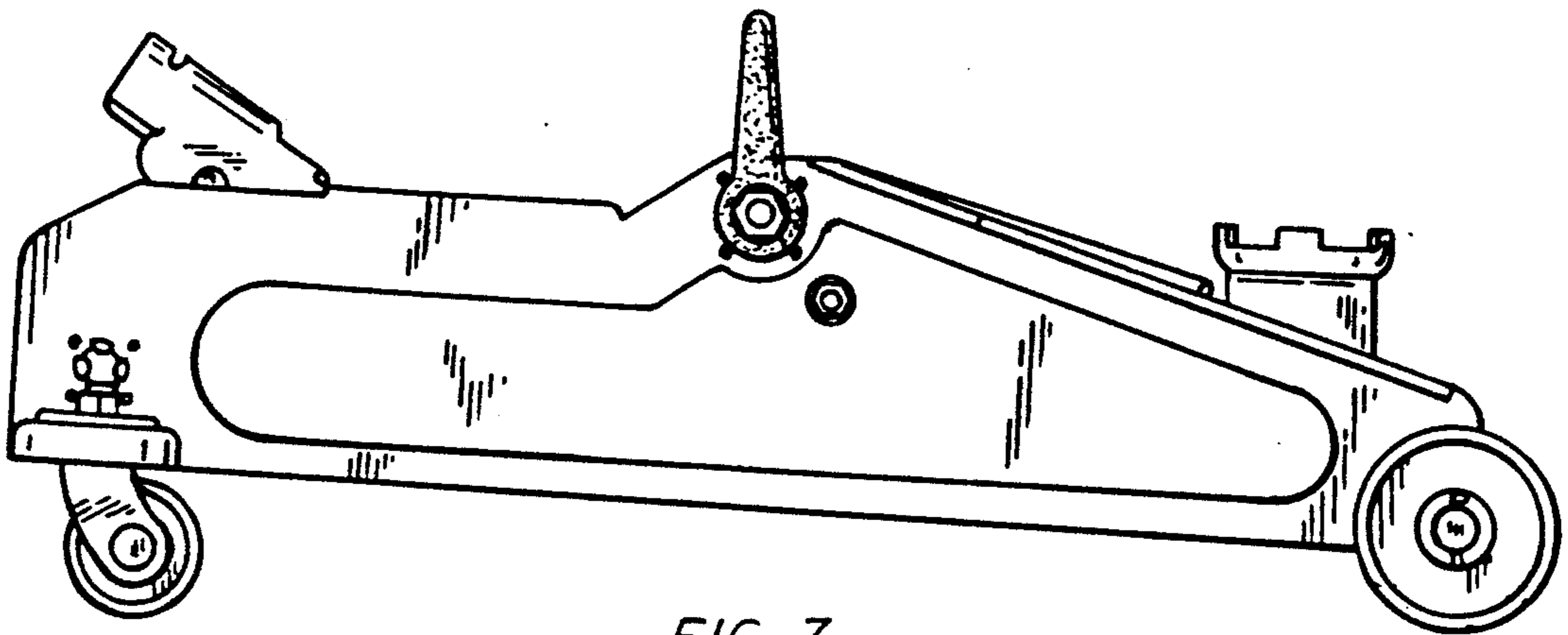


FIG. 7.