



US00D332336S

United States Patent [19]

Comer

[11] Patent Number: Des. 332,336

[45] Date of Patent: ** Jan. 5, 1993

[54] TABLE SAW CART

[76] Inventor: Barry D. Comer, 132 Lonsdale Circle, Jacksonville, Ark. 72076

[**] Term: 14 Years

[21] Appl. No.: 627,388

[22] Filed: Dec. 14, 1990

[52] U.S. Cl. D34/25; D34/24

[58] Field of Search D34/12, 17, 19, 20, D34/21, 24, 25, 26; 280/47.26, 47.18, 656, 79.11; 312/250

| | | | |
|-----------|---------|----------------|-----------|
| 4,503,661 | 3/1985 | Potter | 280/47.26 |
| 4,790,549 | 12/1988 | Armand | 280/47.26 |
| 5,028,099 | 7/1991 | Bertucco | 312/250 |

Primary Examiner—Kay H. Chin
Attorney, Agent, or Firm—Leon Gilden

[57] CLAIM

The ornamental design for a table saw cart, as shown and described.

DESCRIPTION

FIG. 1 is a front elevational view of the table saw cart showing my new design;
FIG. 2 is a rear elevational view thereof;
FIG. 3 is a left side elevational view thereof;
FIG. 4 is a right side elevational view thereof;
FIG. 5 is a top plan view thereof;
FIG. 6 is a bottom plan view thereof; and,
FIG. 7 is a top and front perspective view thereof.

[56] References Cited

U.S. PATENT DOCUMENTS

| | | | |
|------------|--------|---------------|-----------|
| D. 240,614 | 7/1976 | Paterno | D34/25 |
| D. 252,265 | 7/1979 | Gardner | D34/25 |
| D. 260,753 | 9/1981 | Partain | D34/5 |
| 4,253,677 | 3/1981 | Wissler | 280/47.18 |

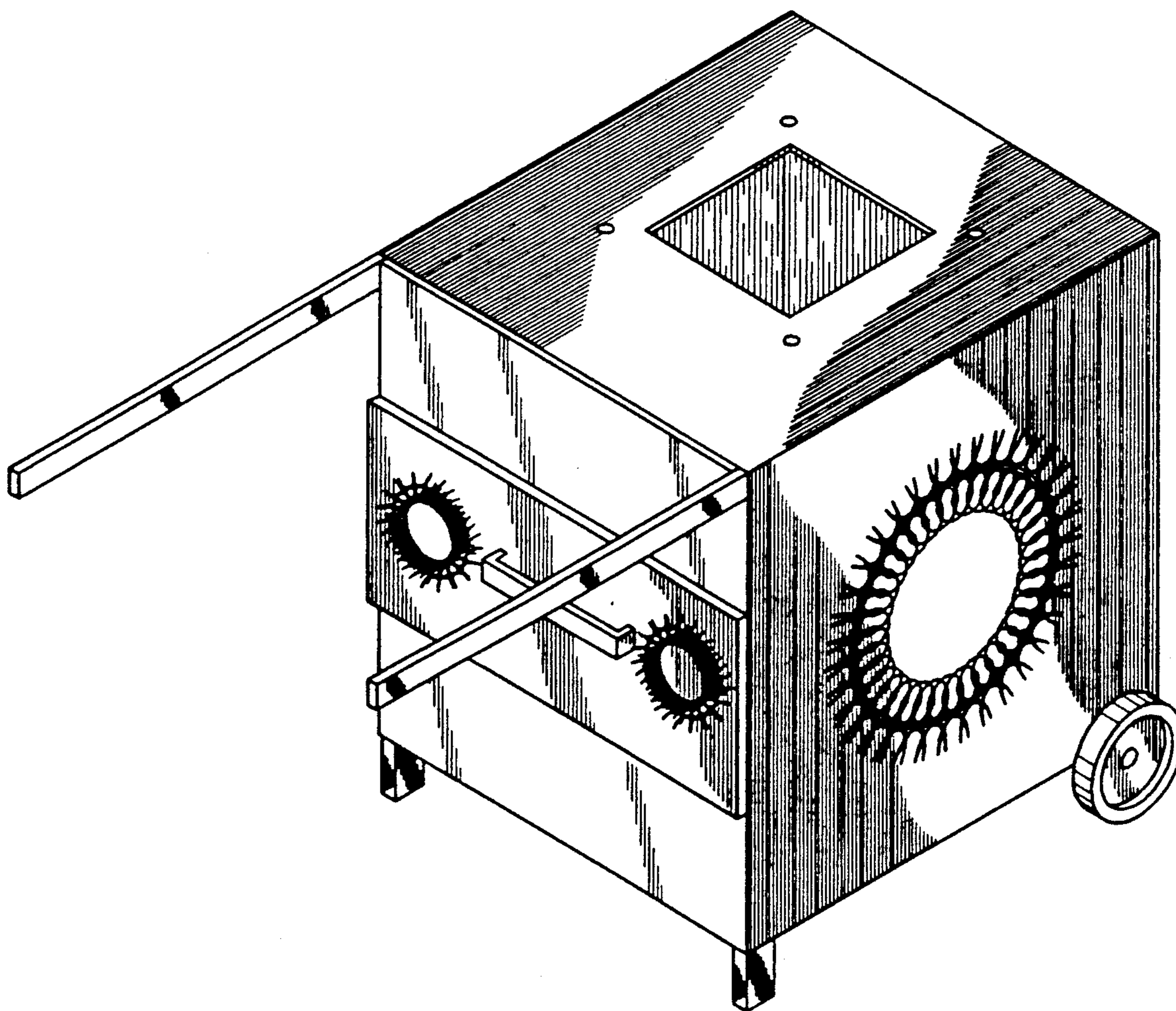


FIG. 1

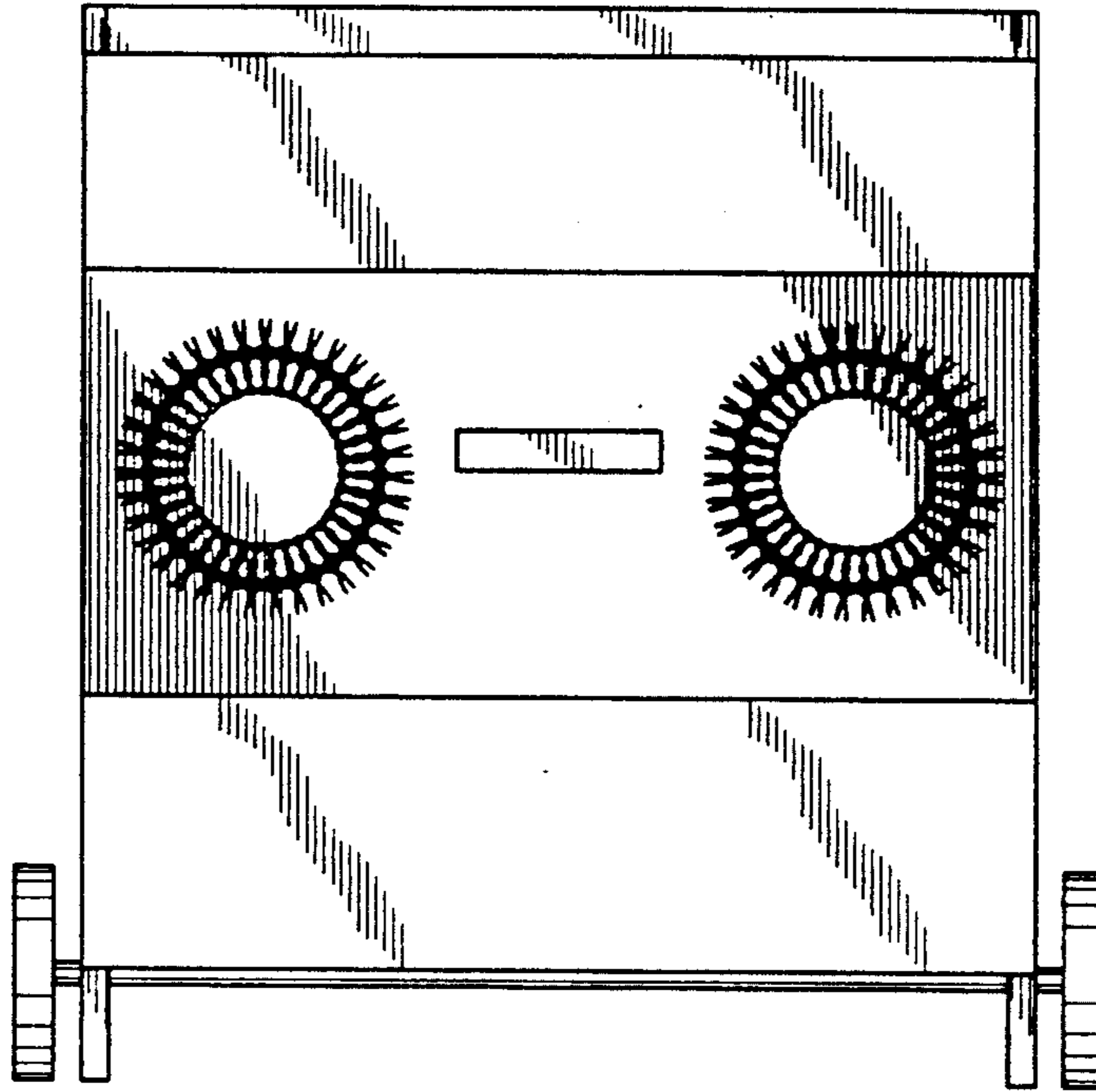


FIG. 2

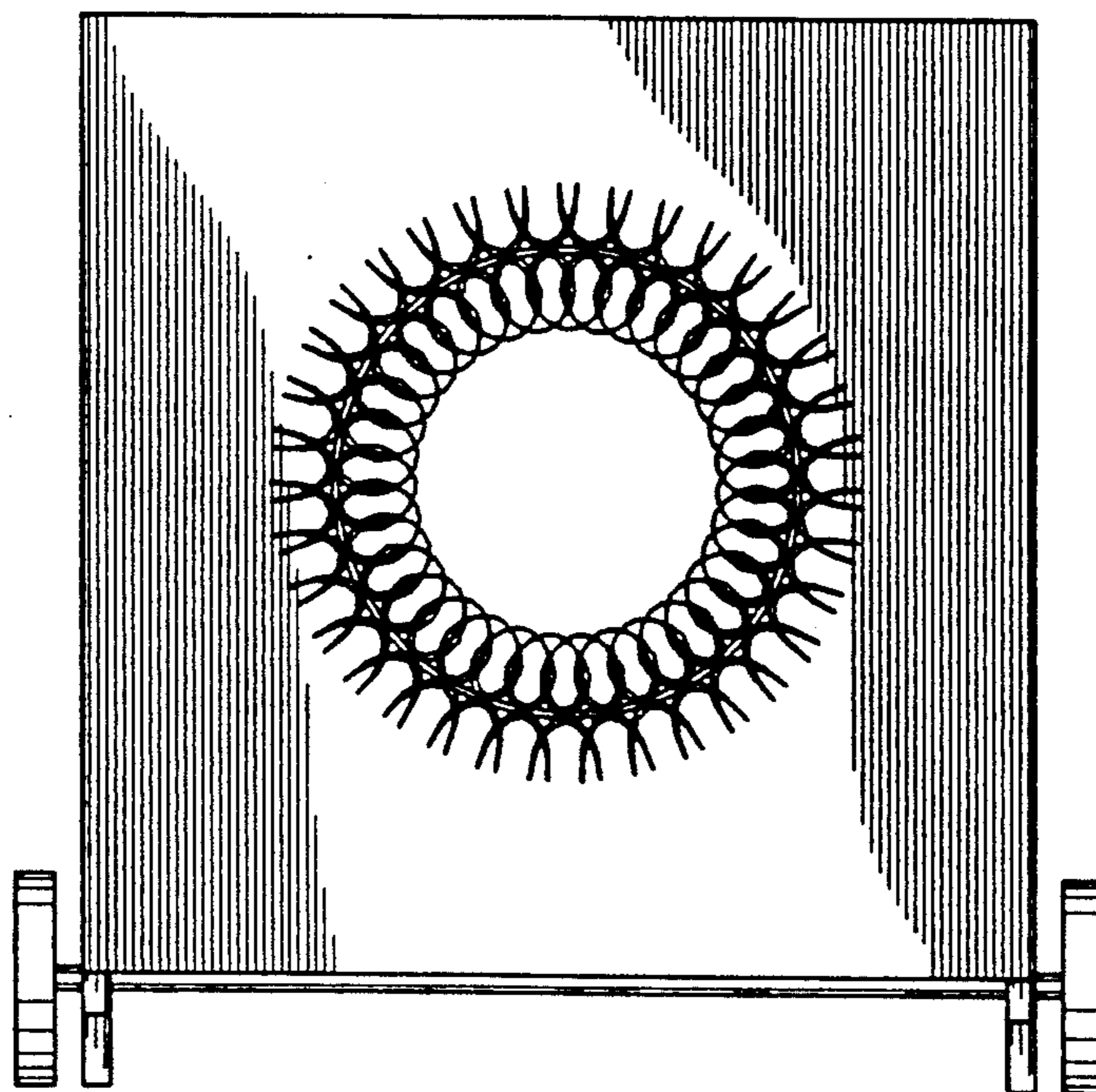


FIG. 3

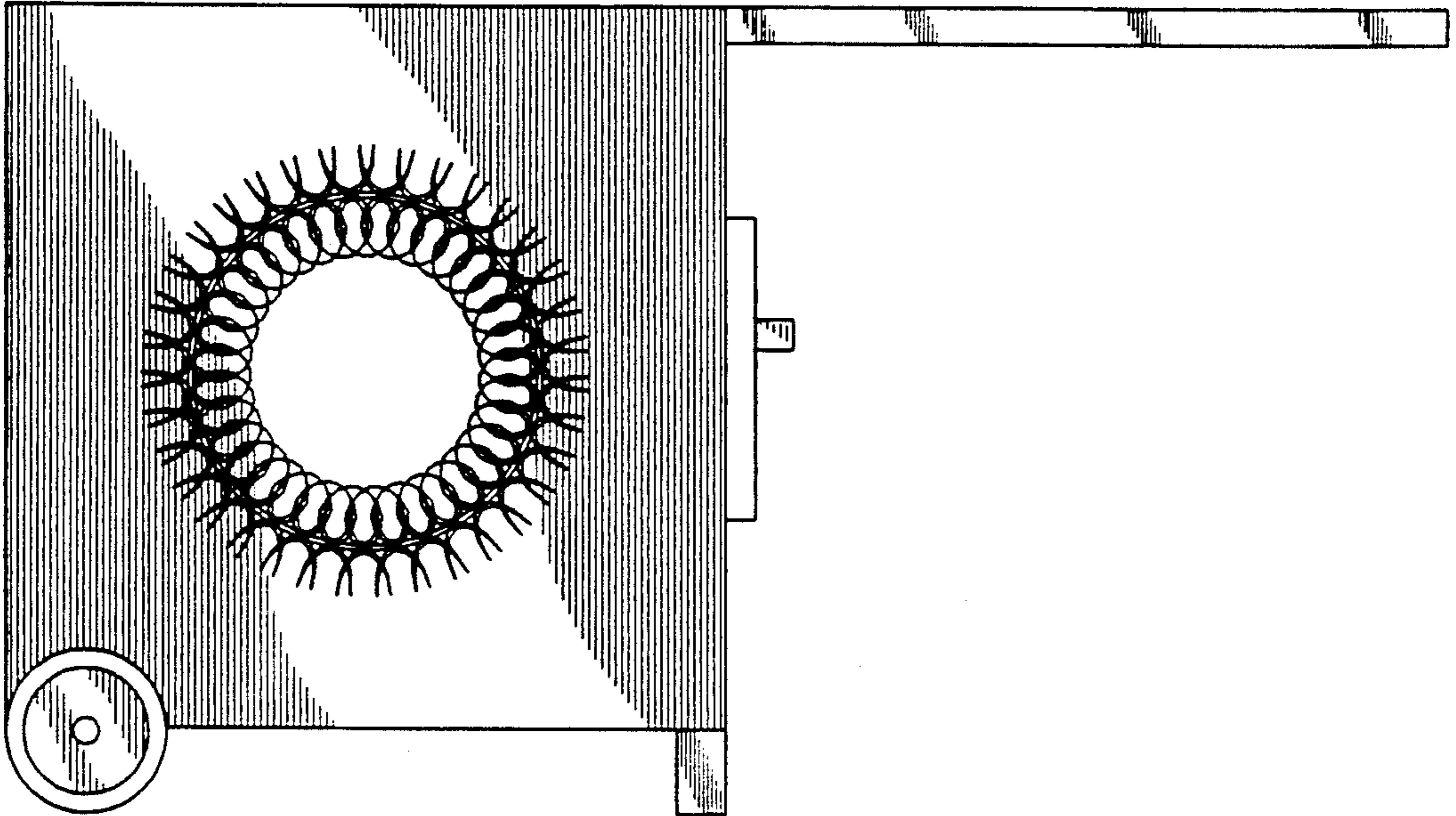


FIG. 4

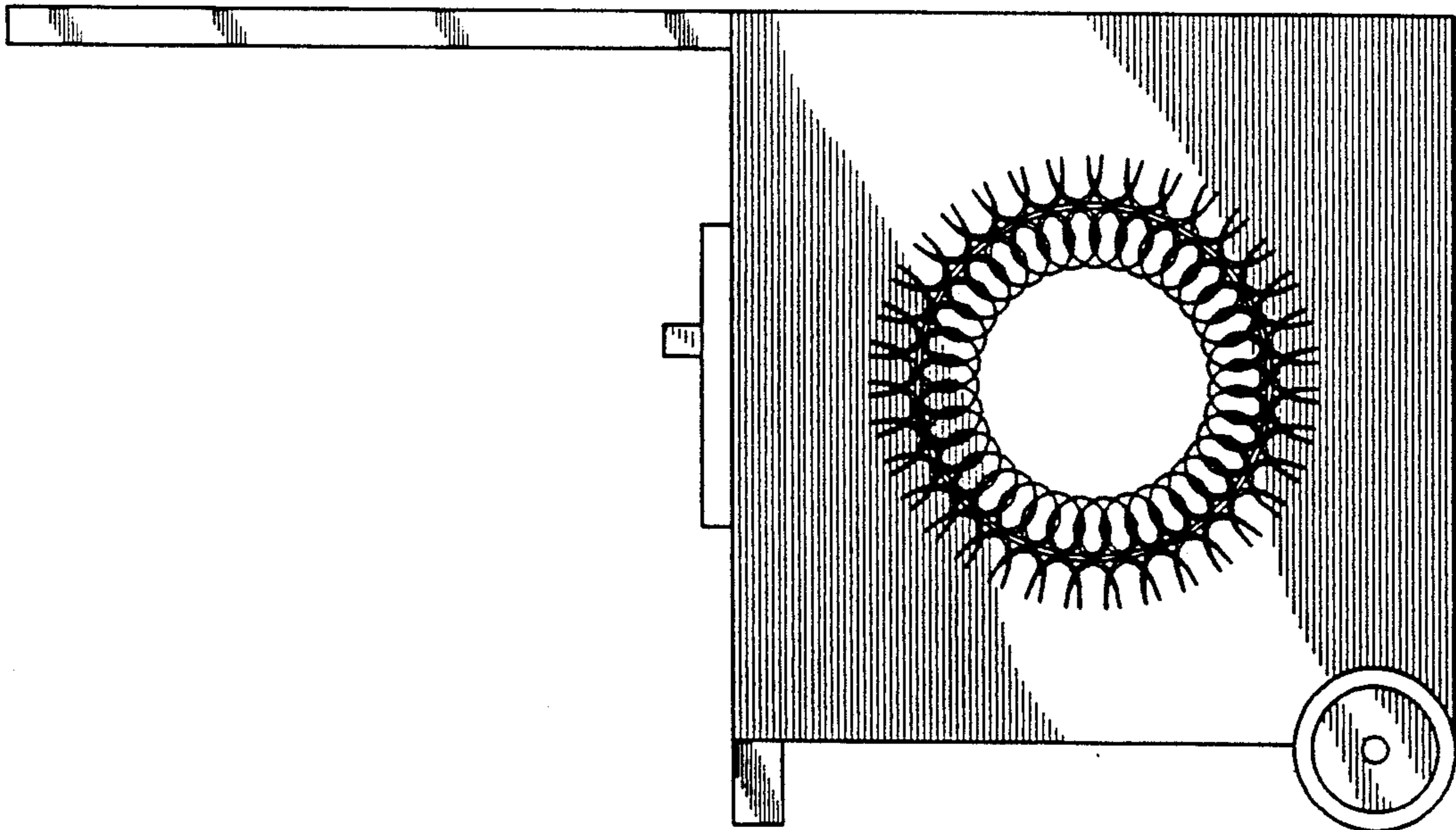


FIG. 5

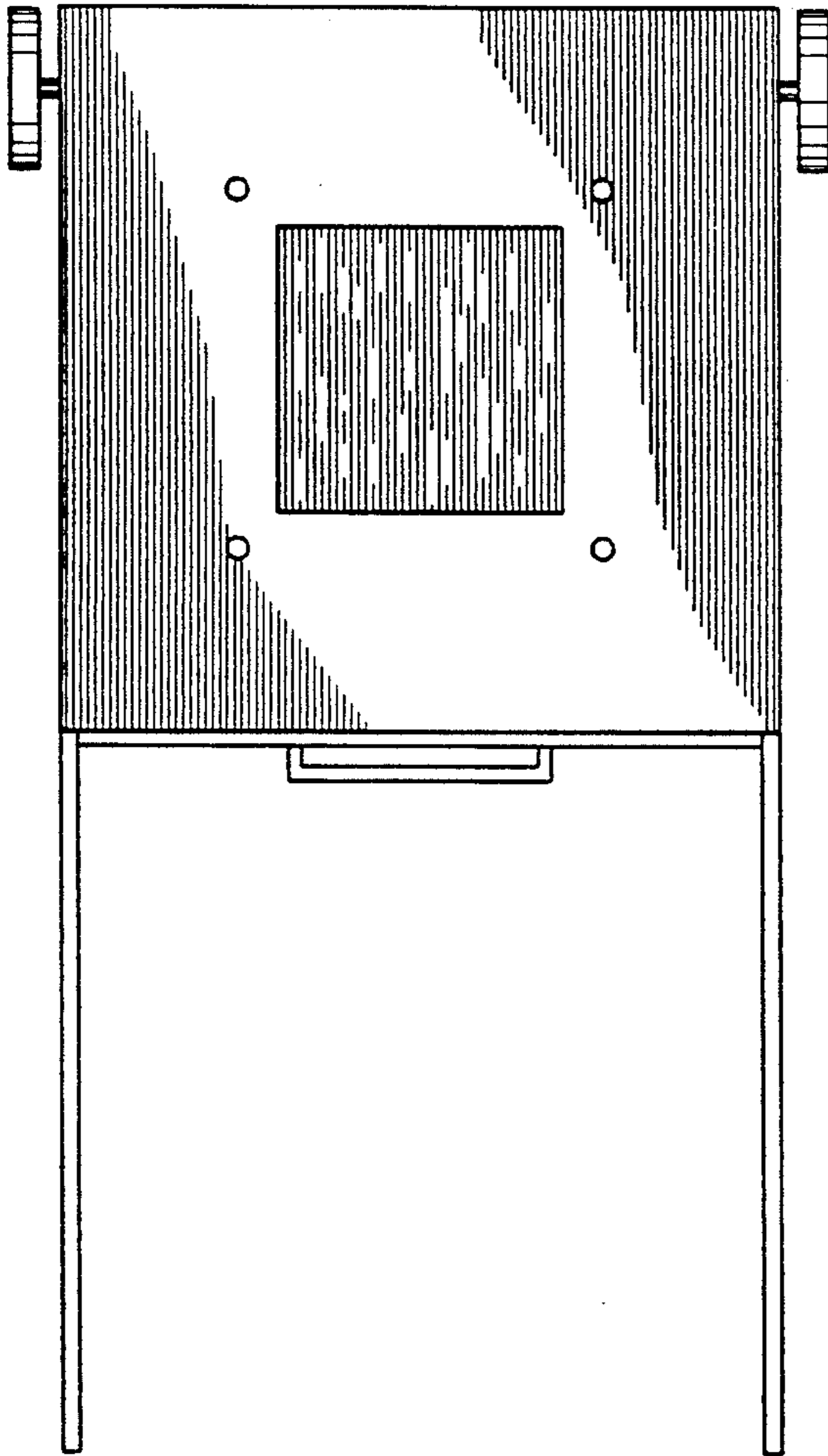
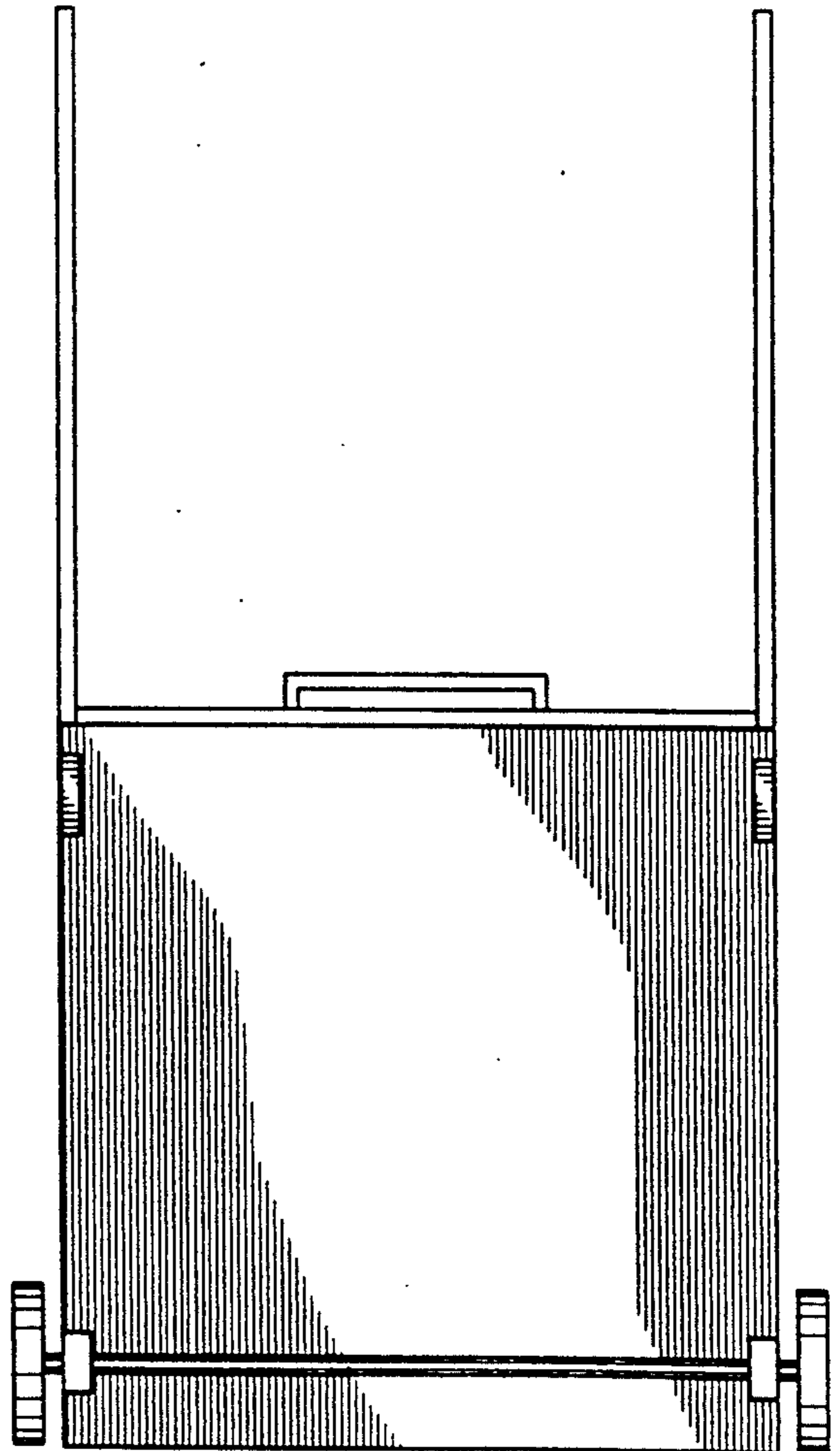


FIG. 6



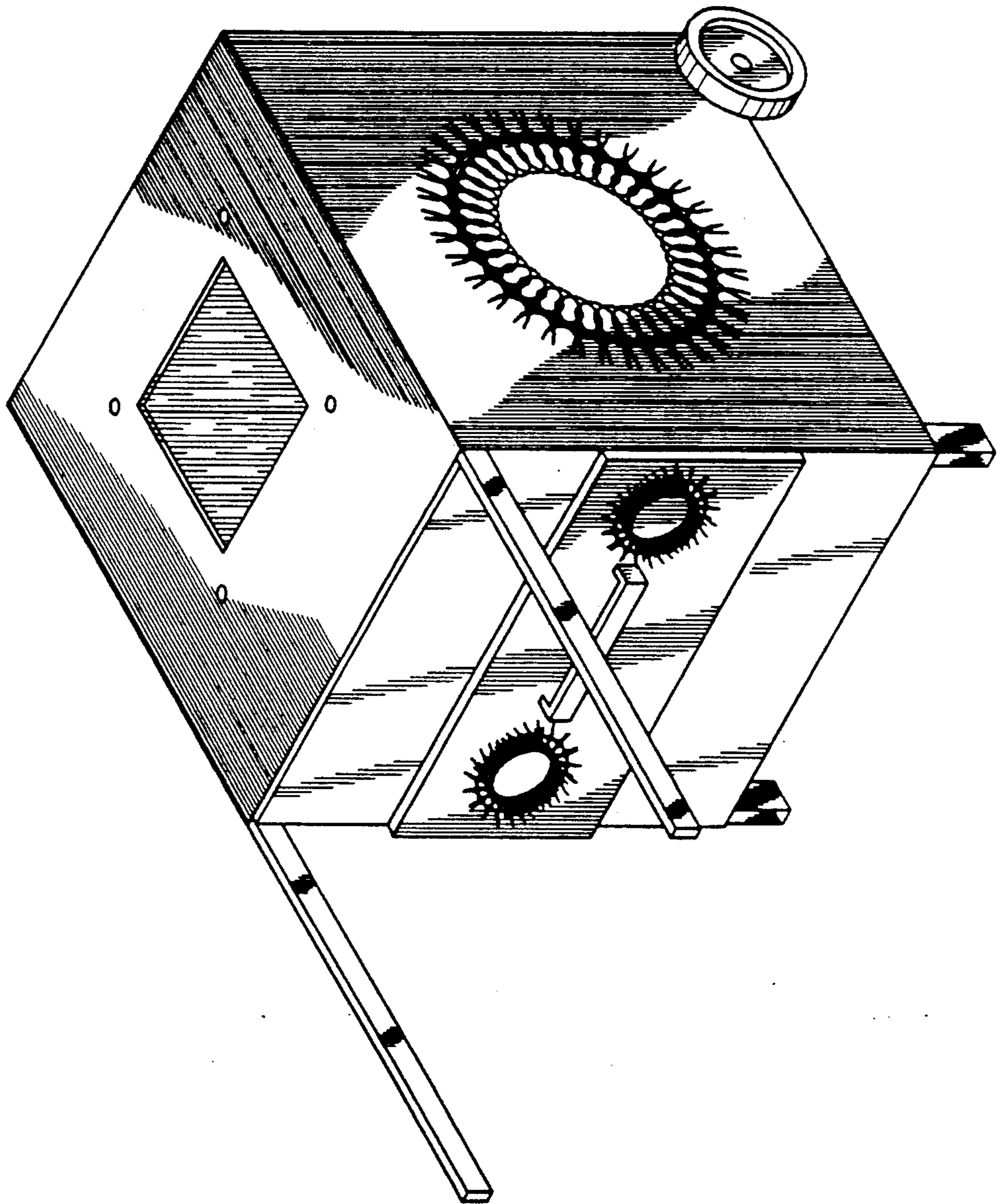


FIG. 7