



US00D332335S

United States Patent [19]

[11] Patent Number: **Des. 332,335**

Casad

[45] Date of Patent: **** Jan. 5, 1993**

[54] **CART FOR RECYCLING CONTAINERS**

4,435,115 3/1984 Orstad et al. 280/47.27
4,795,186 1/1989 Tyus 280/47.35

[76] Inventor: **Lisa A. Casad**, 2606 199th Ct., East,
Sumner, Wash. 98390

Primary Examiner—Kay H. Chin
Attorney, Agent, or Firm—Richard C. Litman

[**] Term: **14 Years**

[21] Appl. No.: **681,171**

[57] **CLAIM**

[22] Filed: **Apr. 5, 1991**

The ornamental design for a cart for recycling containers, as shown and described.

[52] U.S. Cl. **D34/24; D34/5; D34/26**

DESCRIPTION

[58] Field of Search D34/12, 17, 21, 24,
D34/26, 1, 5; 248/95, 97, 98, 101, 907, 127;
280/47.35, 47.34, 47.18, 47.24, 47.26

FIG. 1 is a front and side perspective view of a cart for recycling containers showing my new design, the portion of the figure shown in broken lines representing recycling containers and forming no part of the claimed design;

[56] **References Cited**

U.S. PATENT DOCUMENTS

D. 84,868	8/1931	Beach	D34/21
D. 170,759	11/1953	Kesler	D34/21
D. 269,215	5/1983	Caine	D34/17
2,658,703	11/1953	Brink et al.	D34/12
3,655,157	4/1972	Dalton	248/97

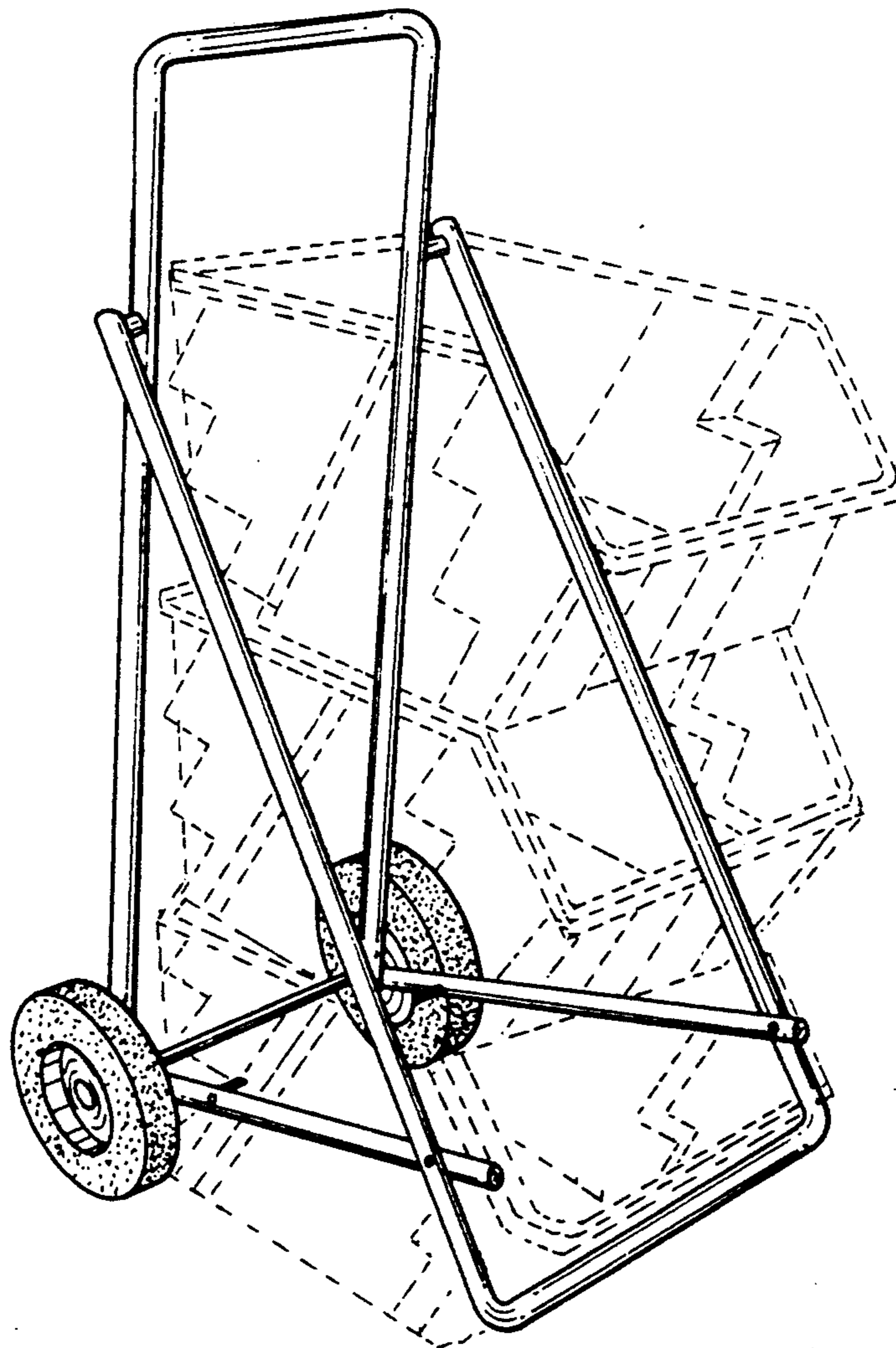
FIG. 2 is a side elevational view thereof, the opposite side being a mirror image;

FIG. 3 is a rear elevational view thereof;

FIG. 4 is a front elevational view thereof;

FIG. 5 is a top plan view thereof; and,

FIG. 6 is a bottom plan view thereof.



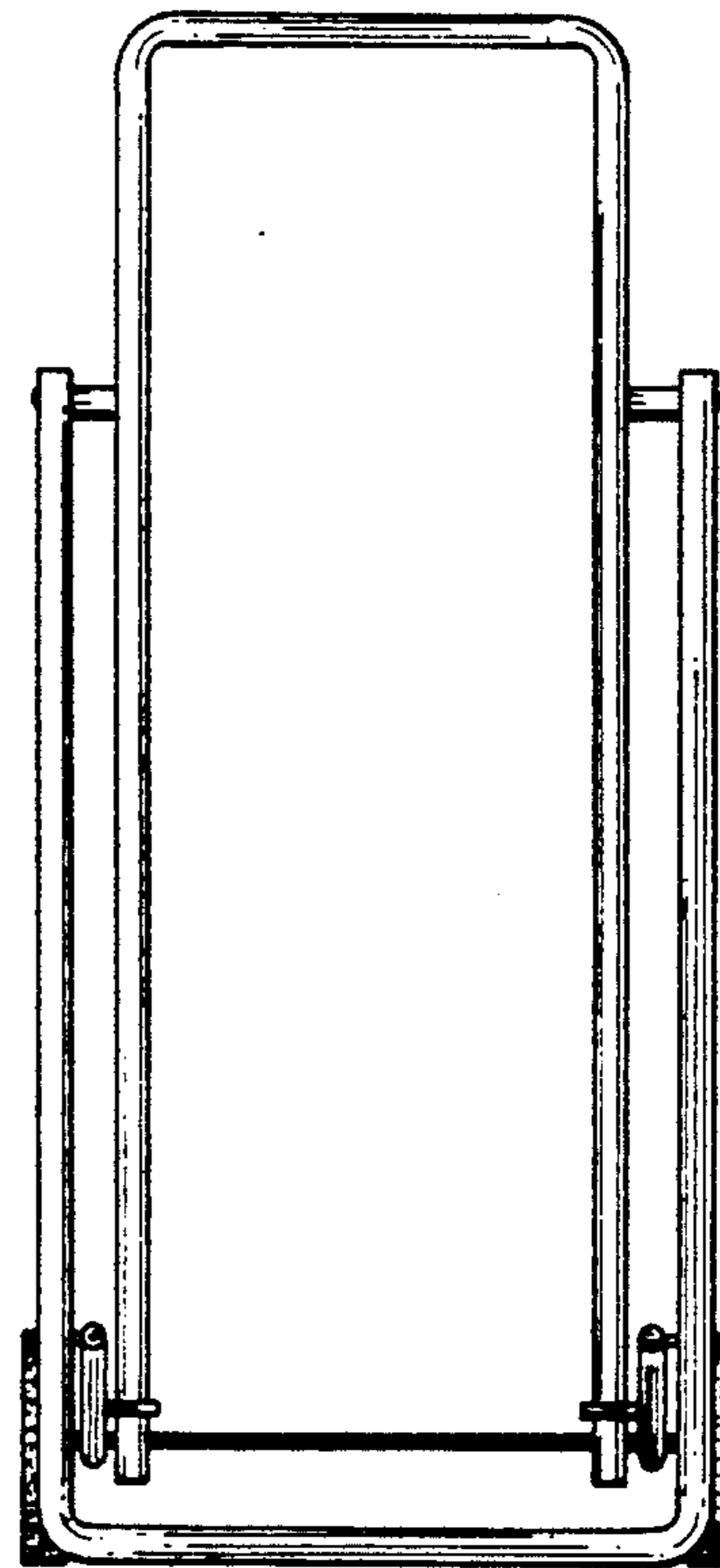
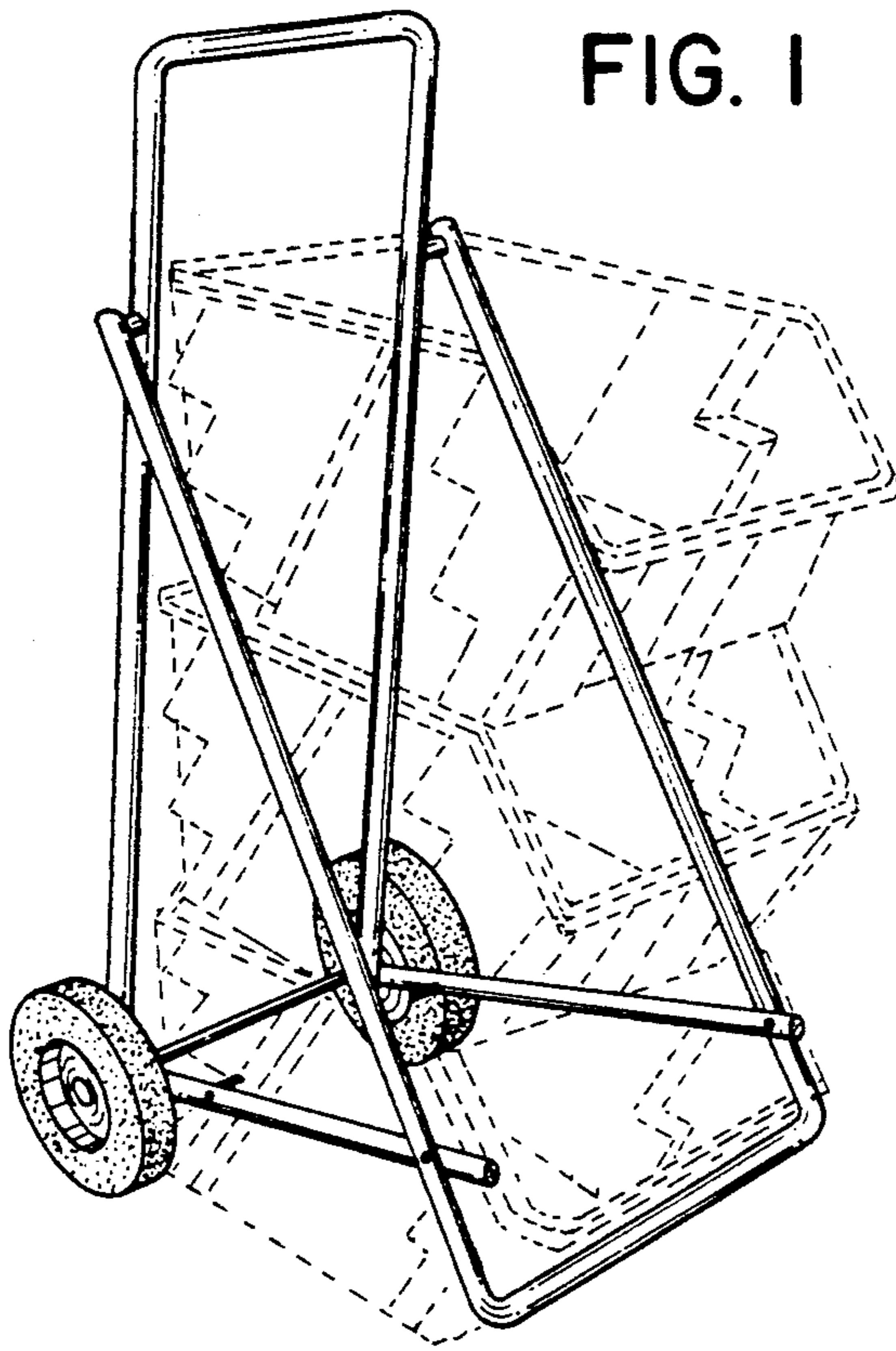


FIG. 4

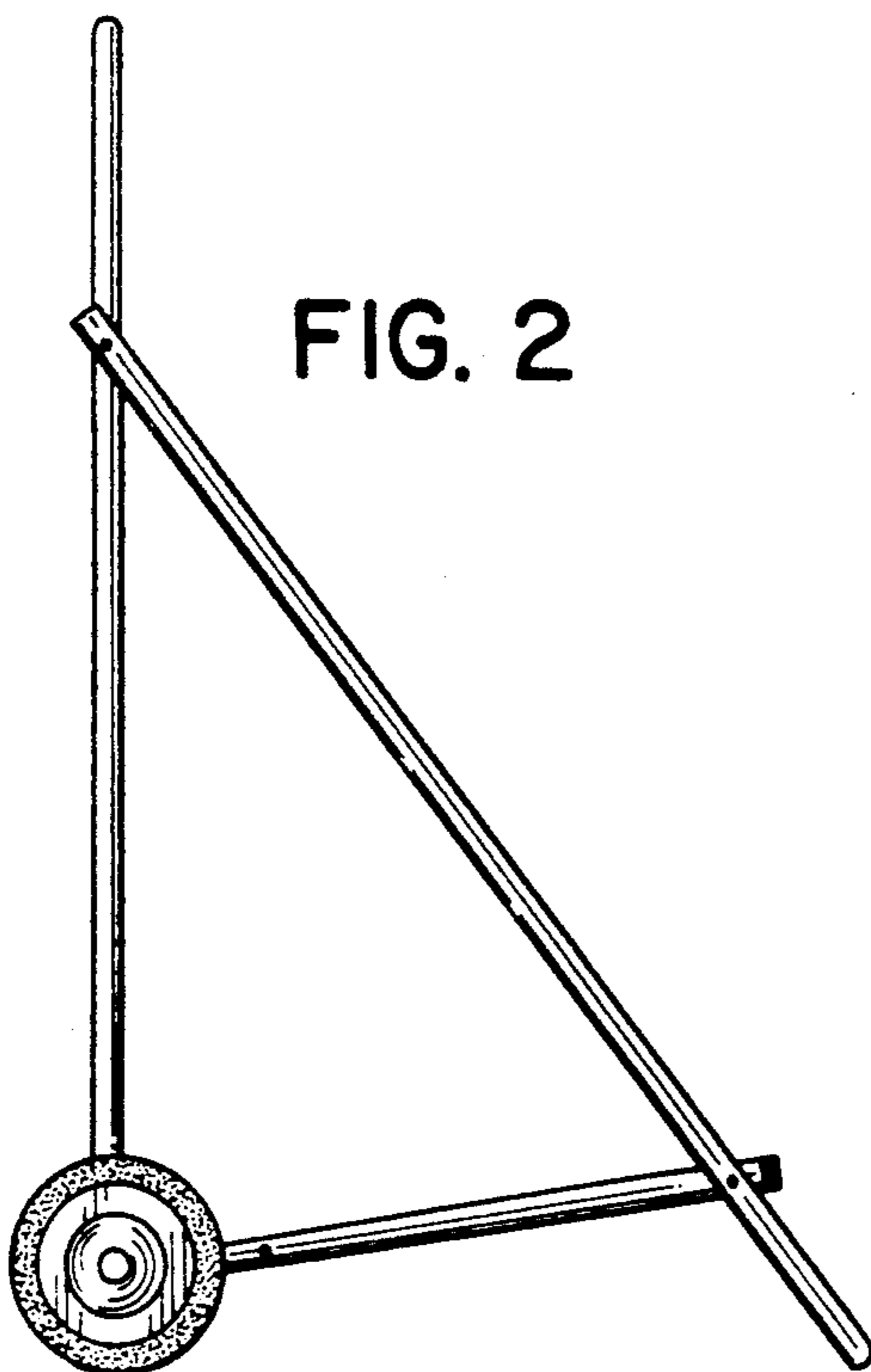


FIG. 2

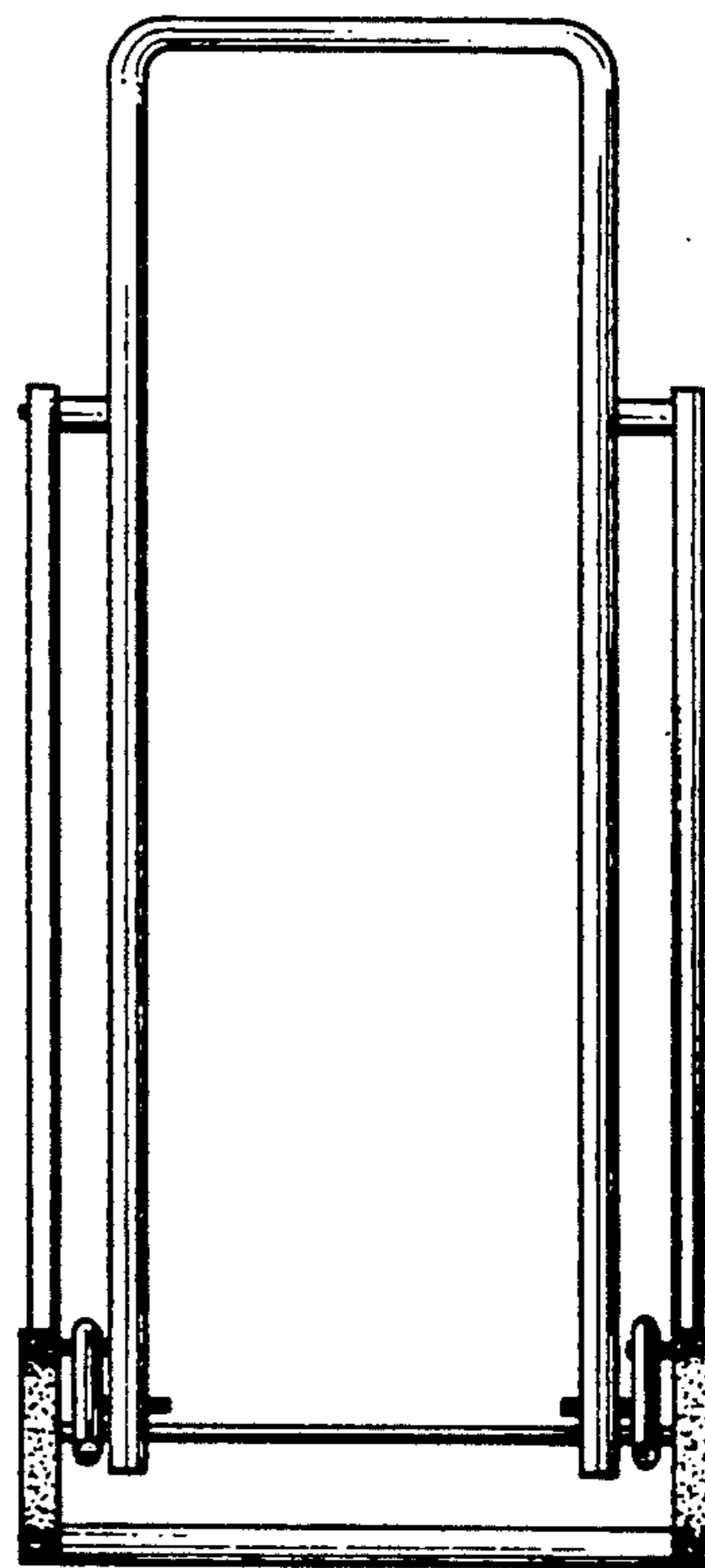


FIG. 3

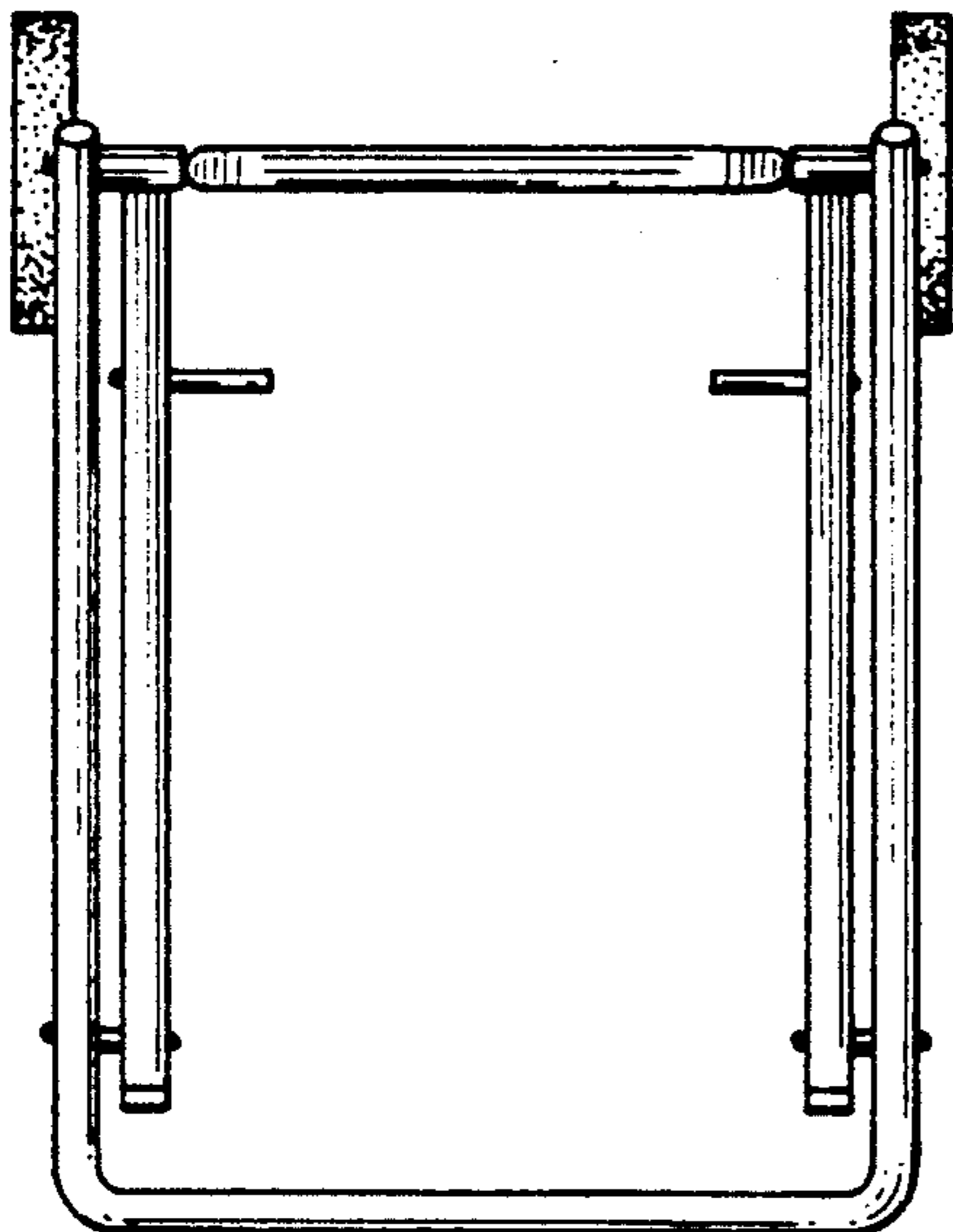


FIG. 5

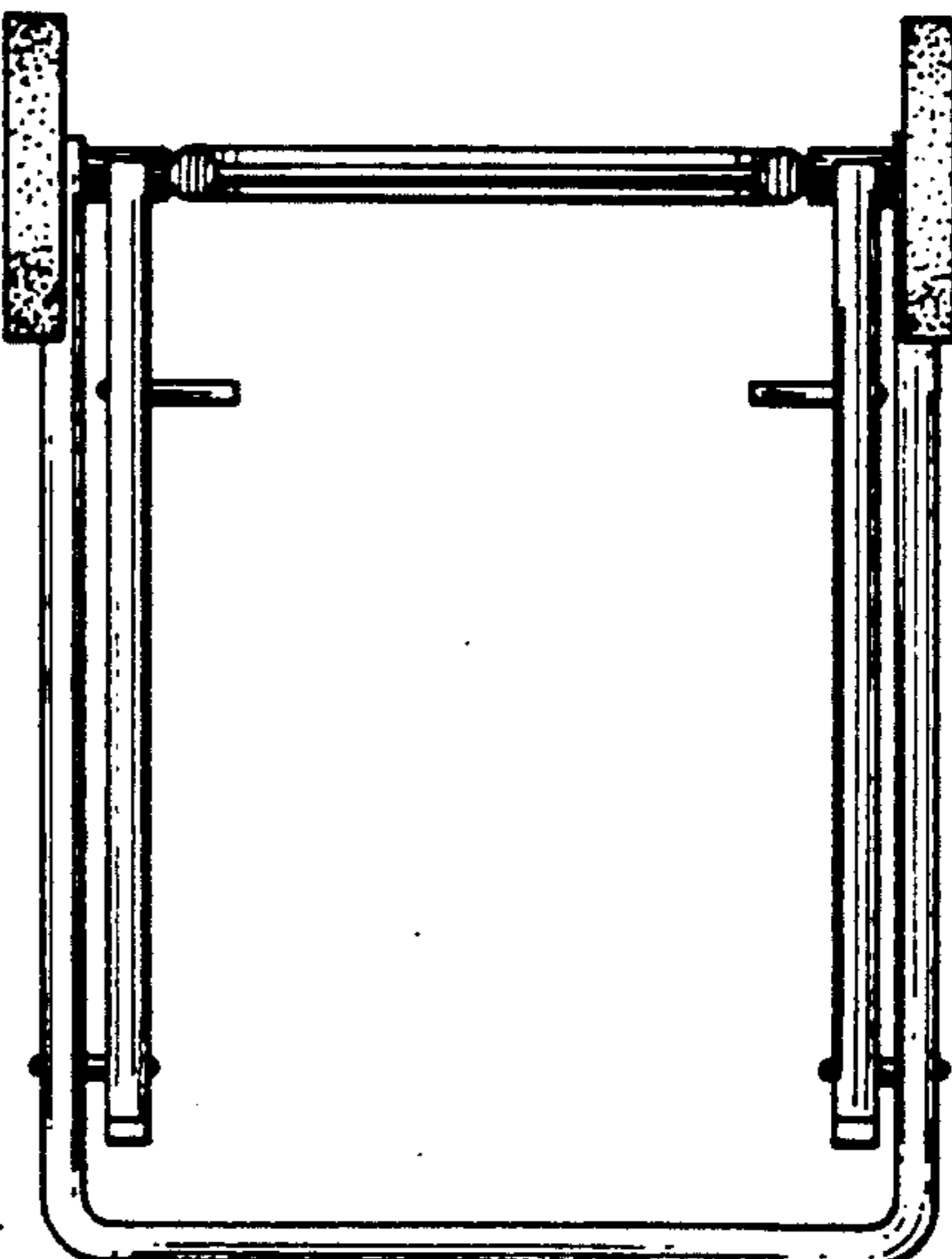


FIG. 6