



US00D332331S

United States Patent [19]

Hansen et al.

[11] Patent Number: **Des. 332,331**

[45] Date of Patent: **** Jan. 5, 1993**

[54] SQUEEGEE

[75] Inventors: **Sandra J. Hansen**, Lake Oswego; **Christopher G. Alviar**, Portland, both of Oreg.; **Paul E. Furner**, Logan, Utah; **Terrence K. Jones**, Portland, Oreg.; **David R. Knaub**, Portland, Oreg.; **Sohrab Vossoughi**, Portland, Oreg.

[73] Assignee: **Hanco, Inc.**, Lake Oswego, Oreg.

[**] Term: **14 Years**

[21] Appl. No.: **489,651**

[22] Filed: **Mar. 6, 1990**

[52] U.S. Cl. **D32/41**

[58] Field of Search **D32/35, 40-43, D32/45; 15/117, 121, 236.01-236.09, 245**

[56] **References Cited**

U.S. PATENT DOCUMENTS

| | | | |
|------------|---------|----------------------|-----------|
| D. 162,250 | 2/1951 | Staggers et al. | D32/41 |
| D. 280,247 | 8/1985 | Jones | D32/41 |
| 421,995 | 2/1890 | von Reibnitz | 30/169 |
| 1,520,045 | 12/1924 | Winiarski | 15/245 |
| 4,064,588 | 12/1977 | Cooper | 15/236.08 |

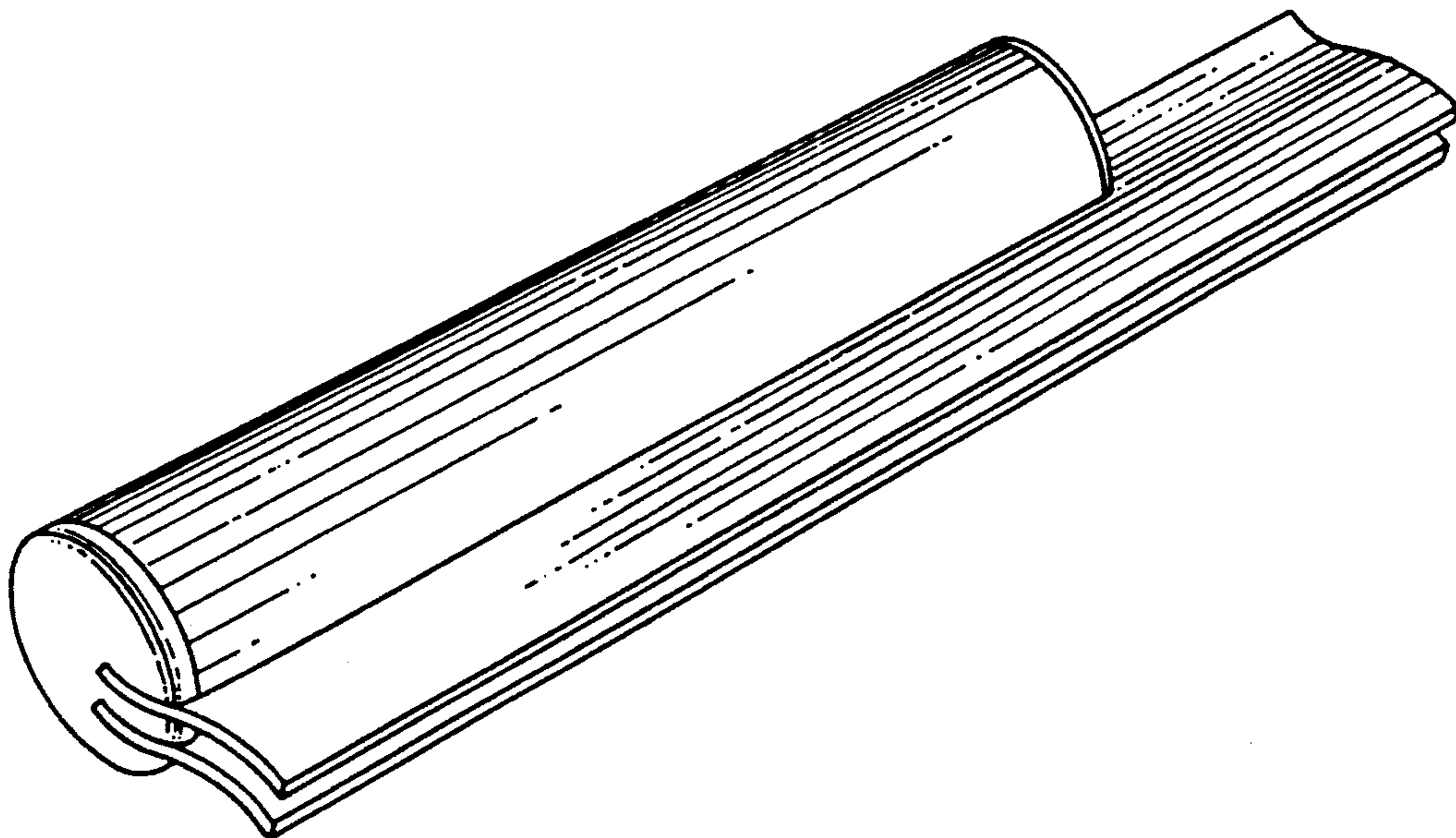
Primary Examiner—Wallace R. Burke
Assistant Examiner—Lavone D. Tabor
Attorney, Agent, or Firm—Edward B. Watters

[57] **CLAIM**

The ornamental design for a squeegee, as shown.

DESCRIPTION

FIG. 1 is a perspective view of a squeegee showing our new design;
FIG. 2 is a front elevational view thereof;
FIG. 3 is a rear elevational view thereof;
FIG. 4 is a bottom plan view thereof;
FIG. 5 is a top plan view thereof;
FIG. 6 is a left end elevational view thereof; and,
FIG. 7 is a right end elevational view thereof.



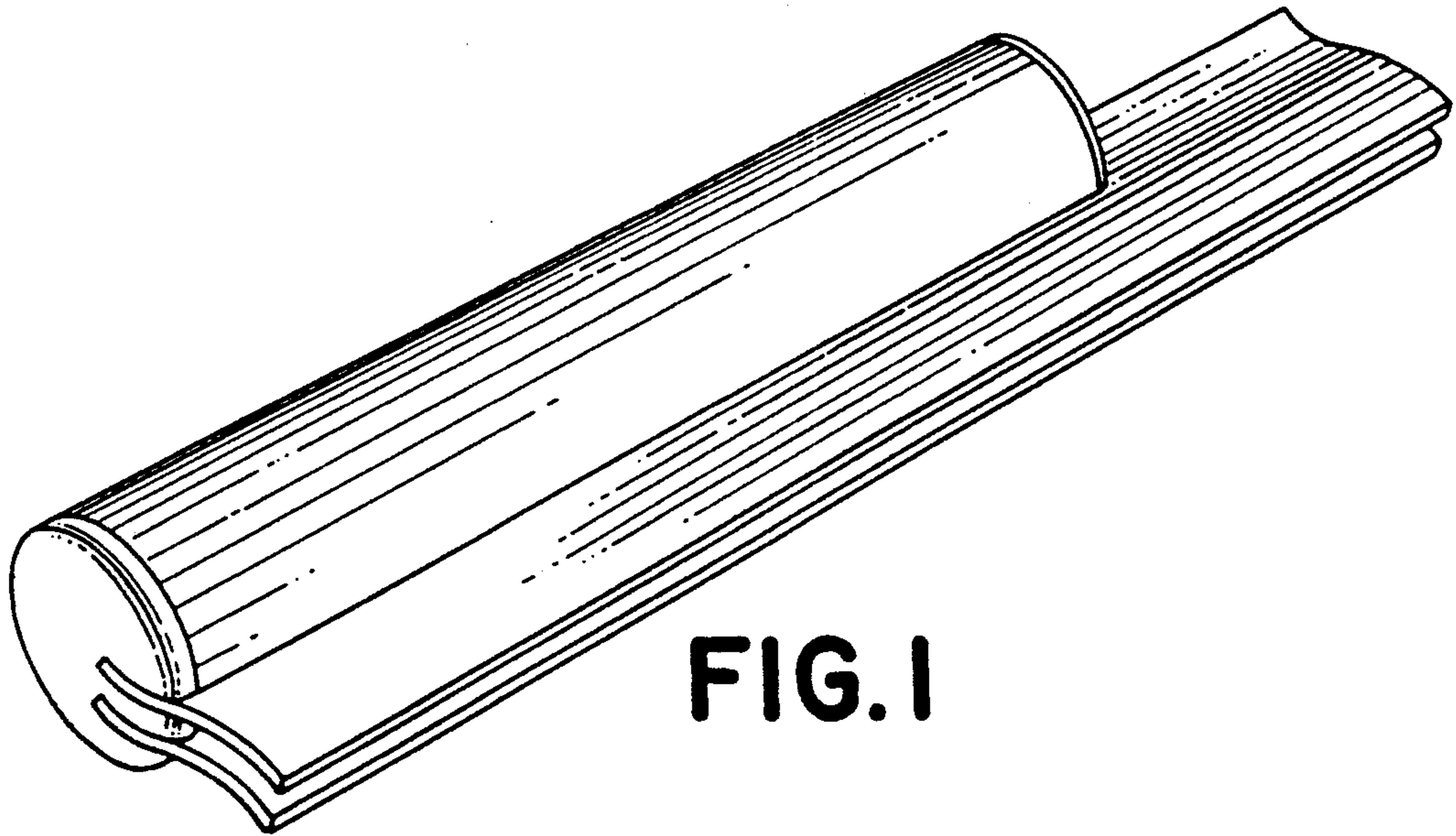


FIG. 1



FIG. 2

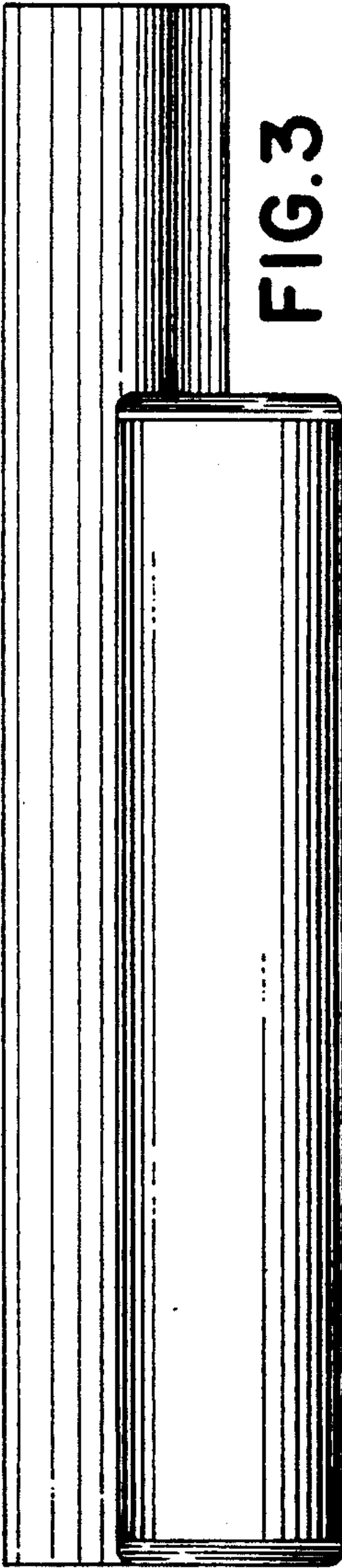


FIG. 3

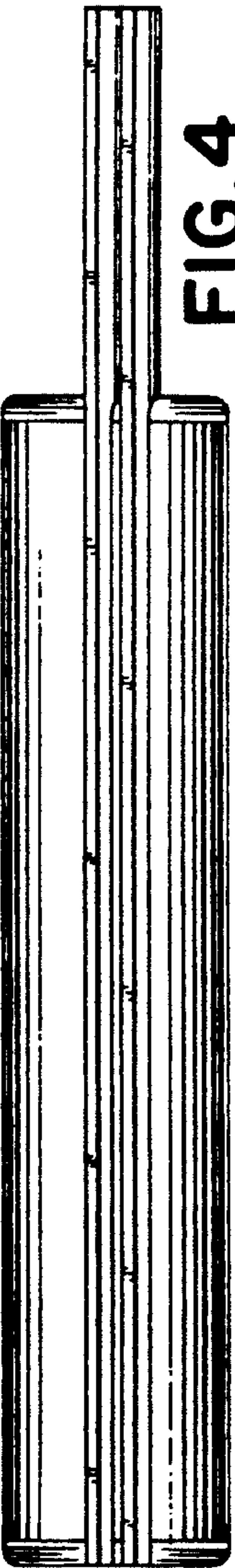


FIG. 4



FIG. 5

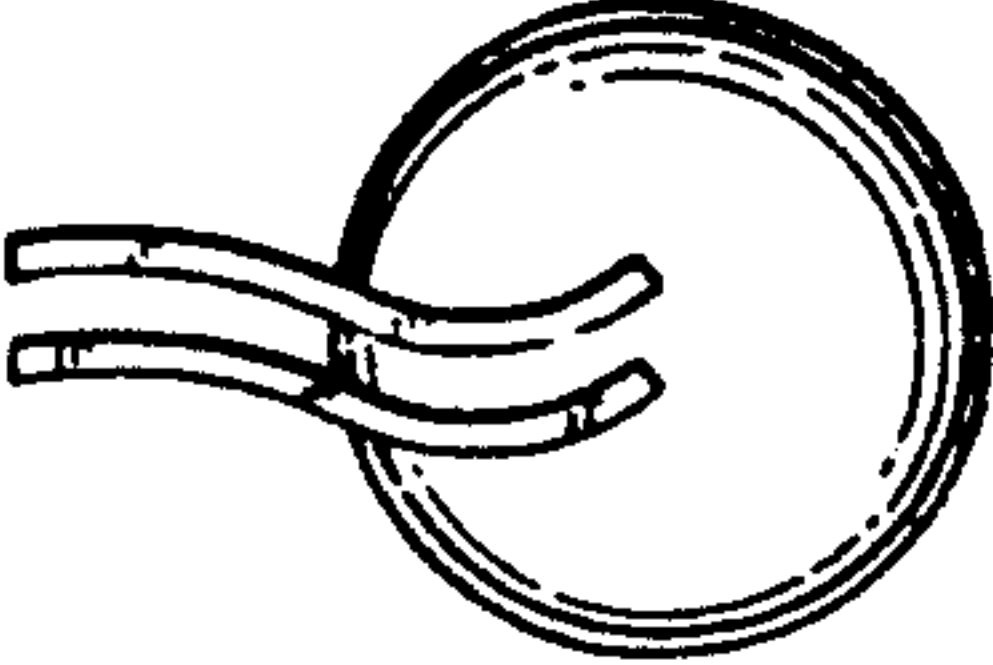


FIG. 6

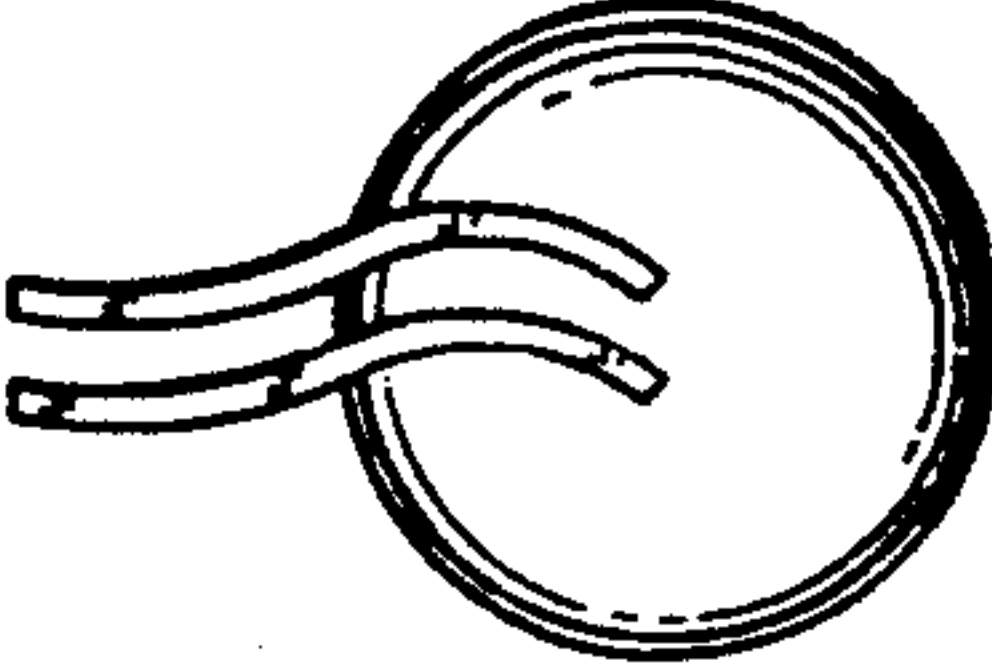


FIG. 7