



US00D332330S

# United States Patent [19]

[11] Patent Number: **Des. 332,330**

Gurstein

[45] Date of Patent: **\*\* Jan. 5, 1993**

[54] **HIGH PRESSURE CARPET EXTRACTOR**

[75] Inventor: **Russell Gurstein, Hayden Lake, Id.**

[73] Assignee: **U.S. Products, Inc., Hayden Lake, Id.**

[\*\*] Term: **14 Years**

[21] Appl. No.: **697,283**

[22] Filed: **May 8, 1991**

[52] U.S. Cl. .... **D32/15**

[58] Field of Search ..... **D15/199; D32/15, 21; 15/319, 320, 321; 340/603, 540**

4,667,364	5/1987	Meili .....	15/319 X
4,934,017	6/1990	Kent .....	15/321
4,967,064	10/1990	Field et al. ....	15/319 X
5,044,043	9/1991	Basham et al. ....	15/319
5,109,566	5/1992	Kobayashi et al. ....	15/319

*Primary Examiner*—Alan P. Douglas  
*Assistant Examiner*—Antoine D. Davis  
*Attorney, Agent, or Firm*—Browdy and Neimark

[57] **CLAIM**

The ornamental design for a high pressure carpet extractor, as shown and described.

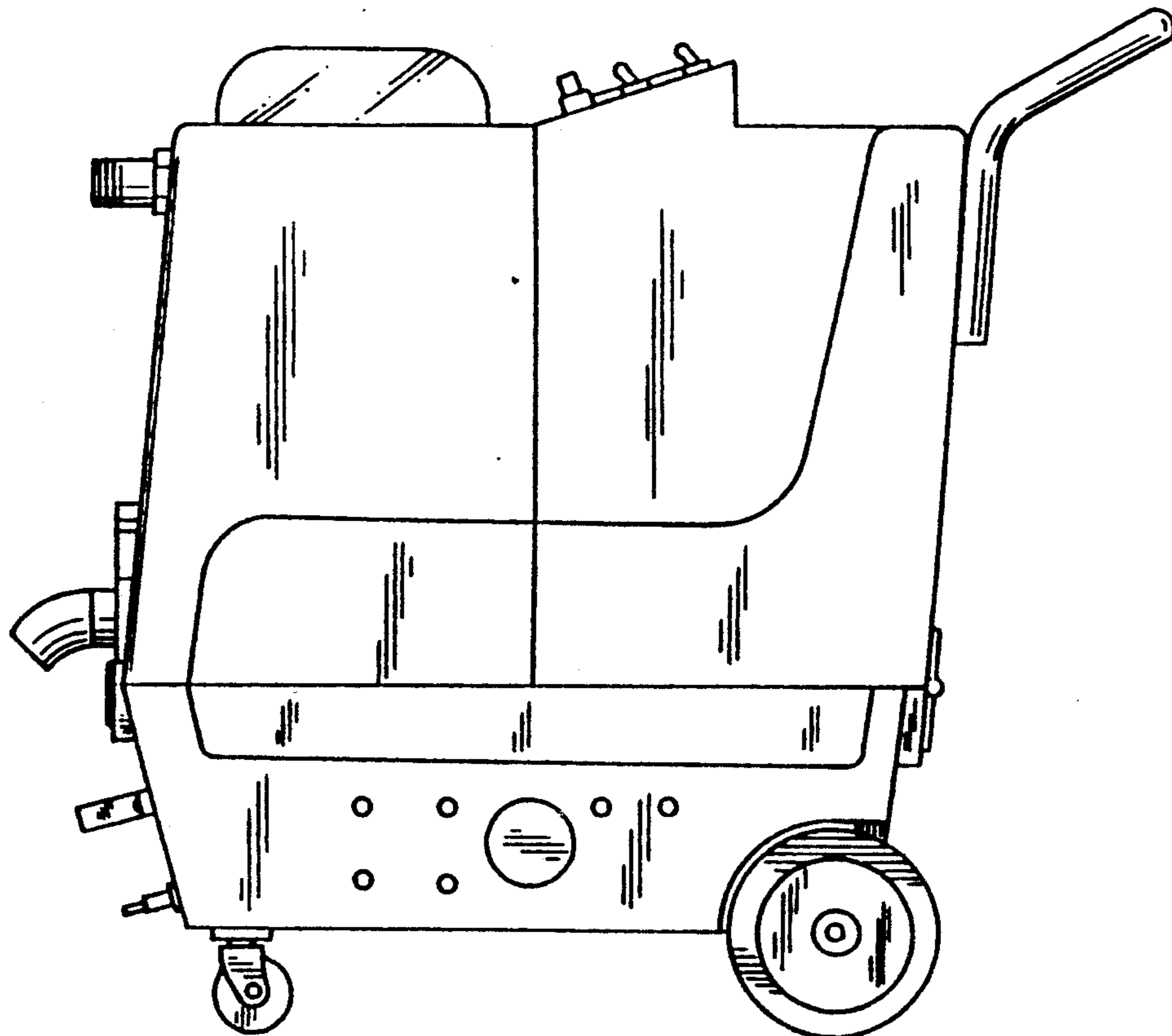
**DESCRIPTION**

FIG. 1 is a left side elevational view of a high pressure carpet extractor showing my new design; FIG. 2 is a right side elevational view thereof; FIG. 3 is a front elevational view thereof; FIG. 4 is a rear elevational view thereof; and, FIG. 5 is a top plan view thereof.

[56] **References Cited**

**U.S. PATENT DOCUMENTS**

D. 274,851	7/1984	Schmitz .....	D32/15
D. 290,053	5/1987	Block .....	D32/15
D. 290,054	5/1987	Block .....	D32/15
4,586,208	5/1986	Trevarthen .....	15/321 X



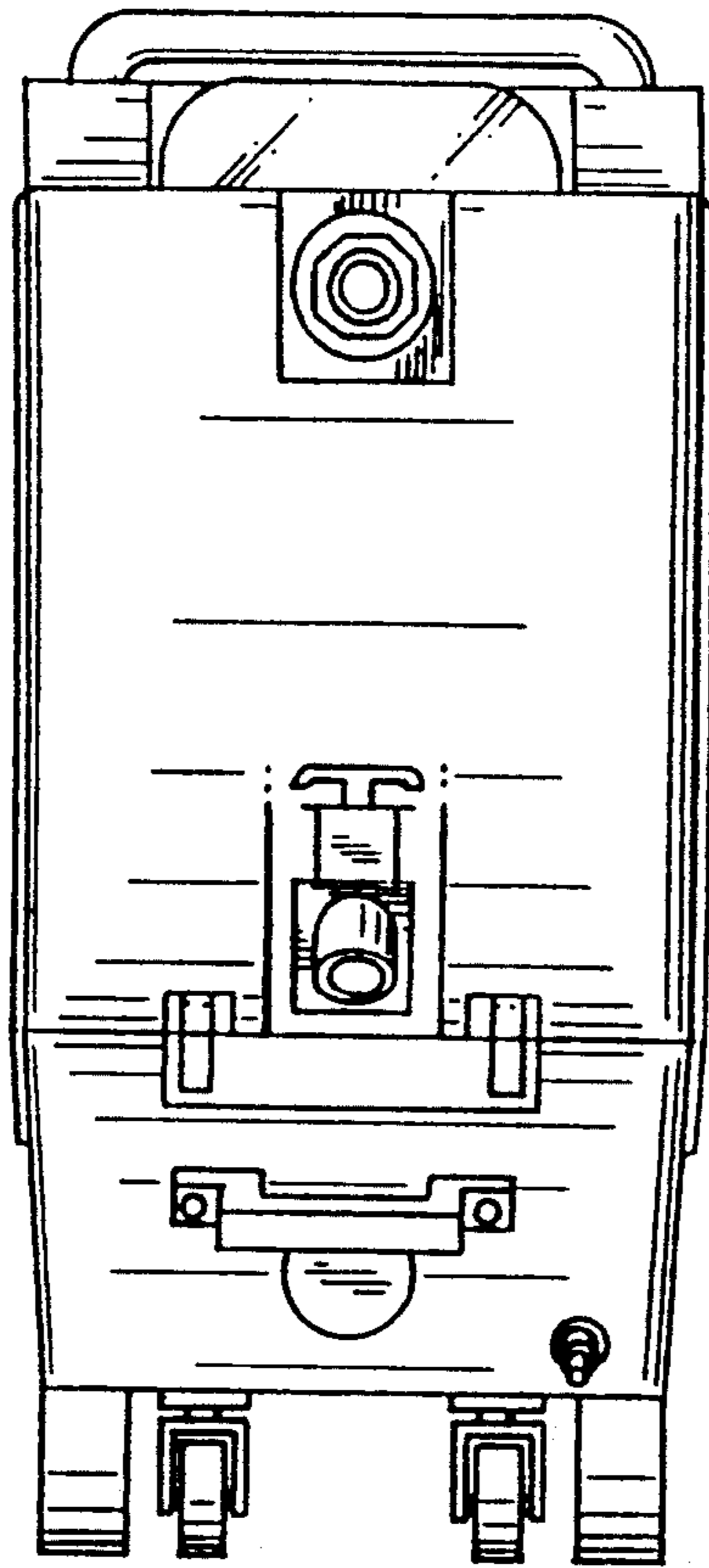


FIG. 1

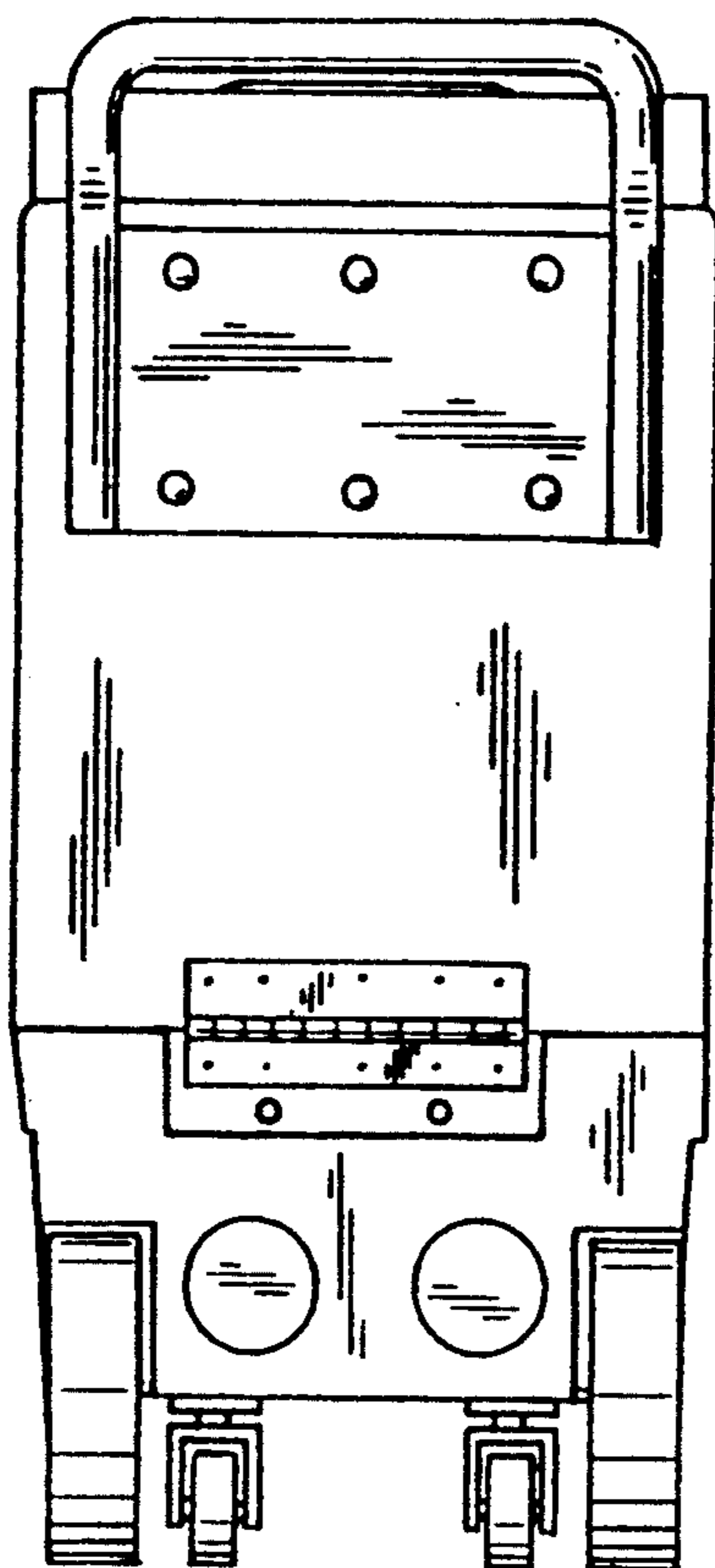


FIG. 2

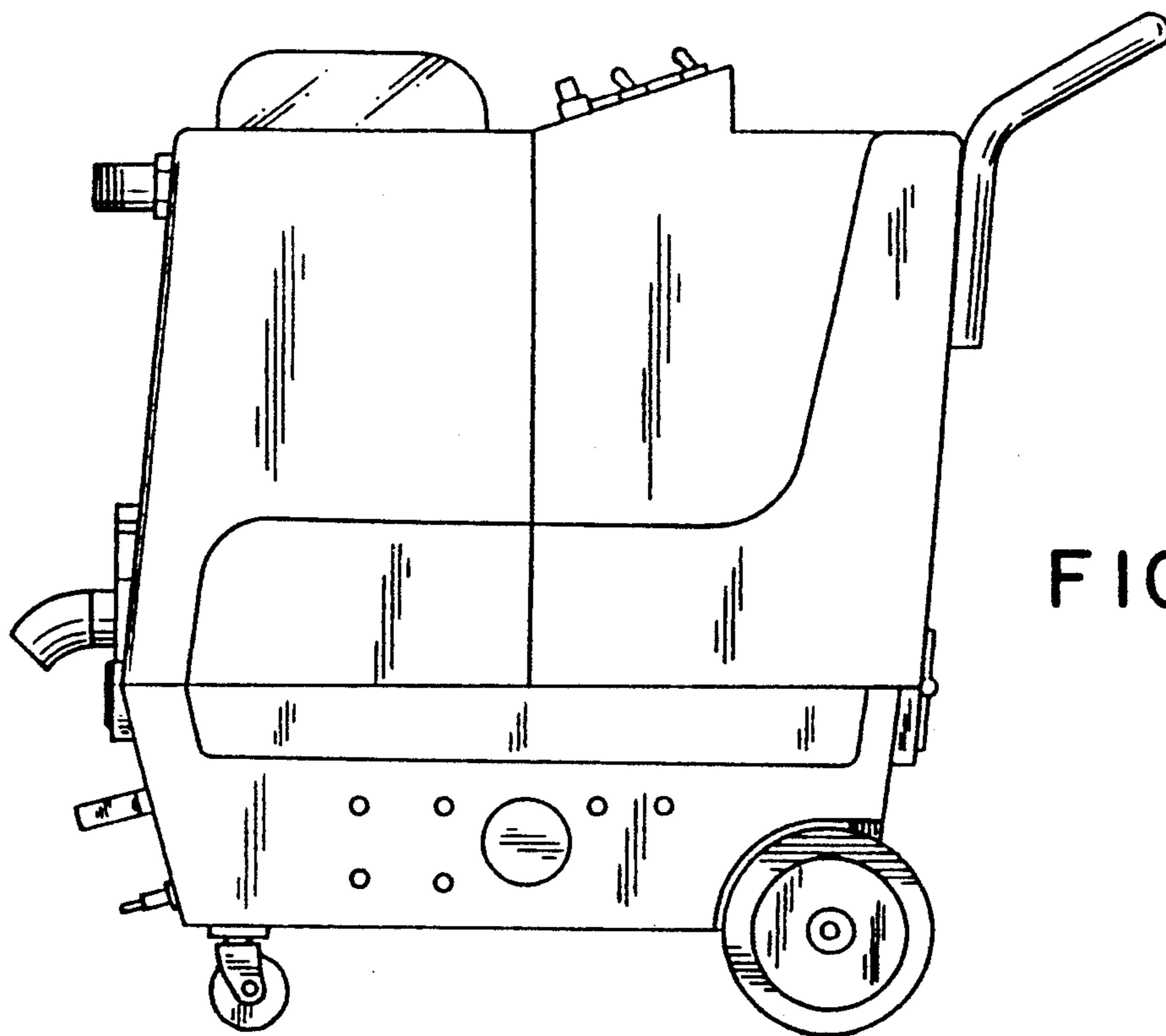


FIG. 3

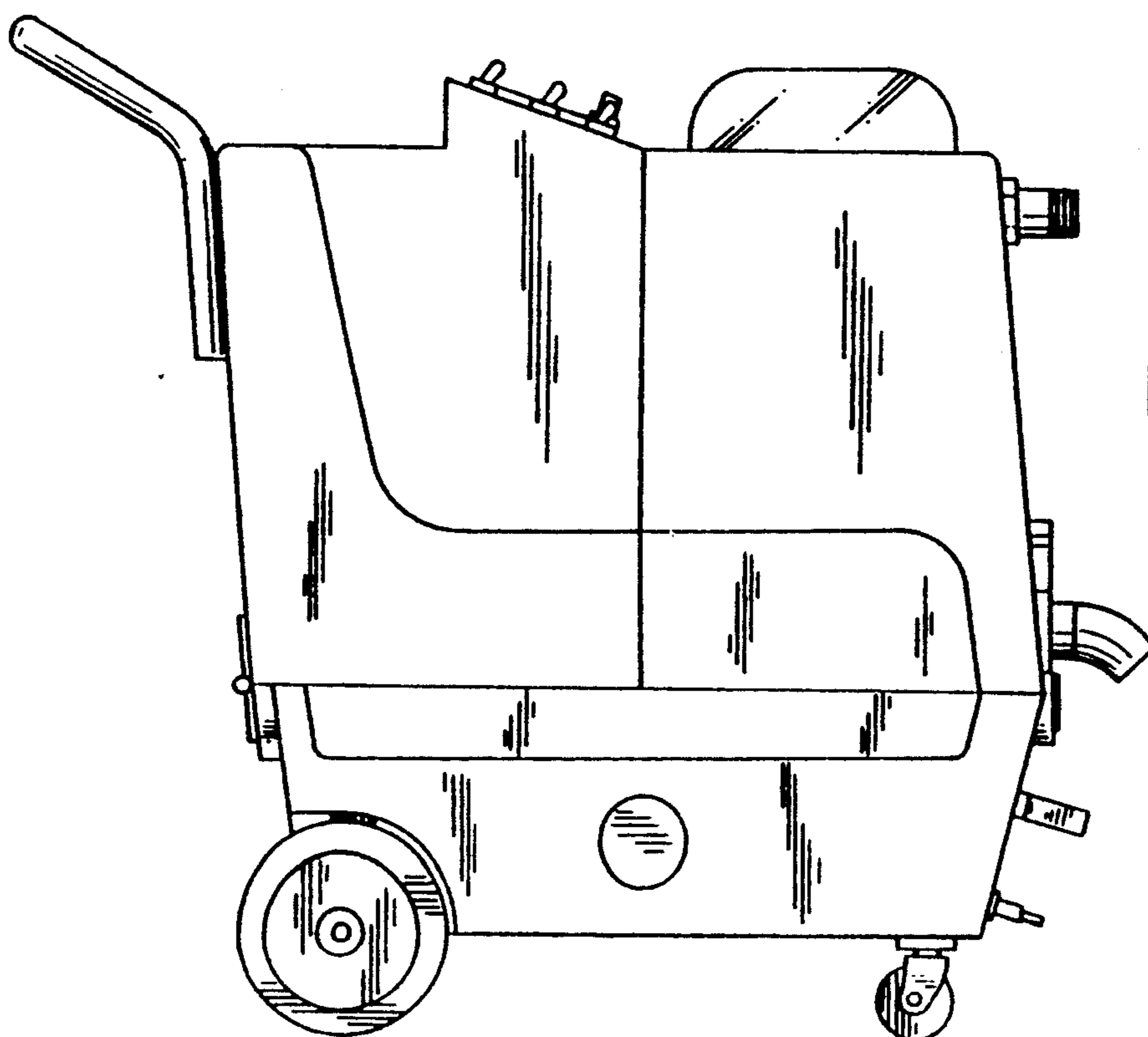


FIG. 4

FIG. 5

