



US00D332322S

United States Patent [19] Cheng

[11] Patent Number: **Des. 332,322**

[45] Date of Patent: **** Jan. 5, 1993**

[54] FLASHLIGHT

[75] Inventor: **Lap-Kwan Cheng**, Quarry Bay, Hong Kong

[73] Assignee: **Hung Chuk Industrial Co. Ltd.**, Hong Kong

[**] Term: **14 Years**

[21] Appl. No.: **702,707**

[22] Filed: **May 20, 1991**

[52] U.S. Cl. **D26/46**

[58] Field of Search **D26/37-50;**
362/157, 158, 183-191, 194-202, 205

[56] **References Cited**

U.S. PATENT DOCUMENTS

D. 308,255 10/1987 Emmerling D26/46

2,229,486 1/1941 Barash et al. 362/205
4,680,682 7/1987 Parker 362/158

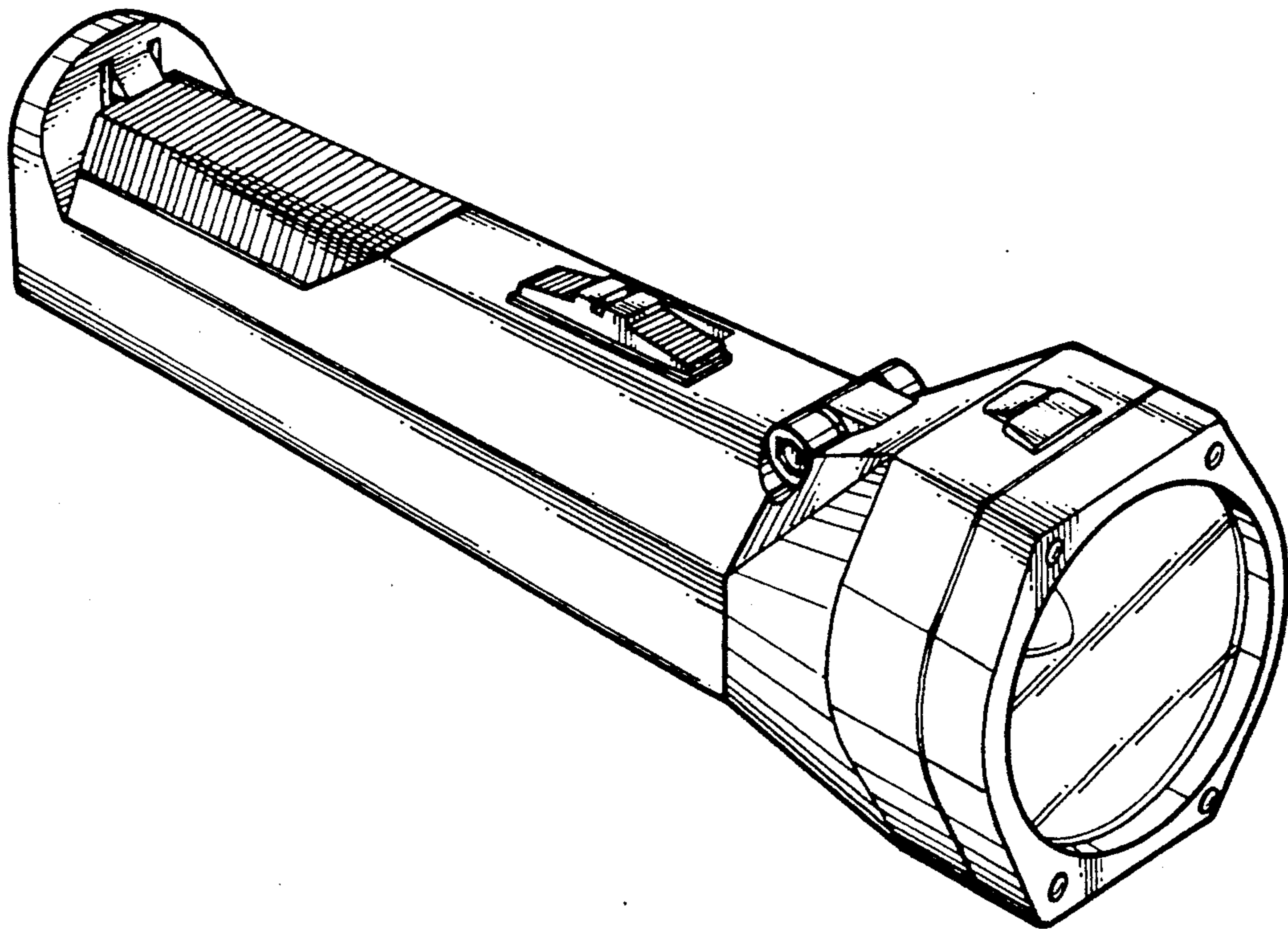
Primary Examiner—Susan J. Lucas
Attorney, Agent, or Firm—Wolf, Greenfield & Sacks

[57] CLAIM

The ornamental design for a flashlight, as shown and described.

DESCRIPTION

FIG. 1 is a front perspective view of a flashlight showing my new design;
FIG. 2 is a front elevational view thereof;
FIG. 3 is a rear elevational view thereof;
FIG. 4 is a left side elevational view thereof, the right side being a mirror image;
FIG. 5 is a top plan view thereof; and,
FIG. 6 is a bottom plan view thereof.



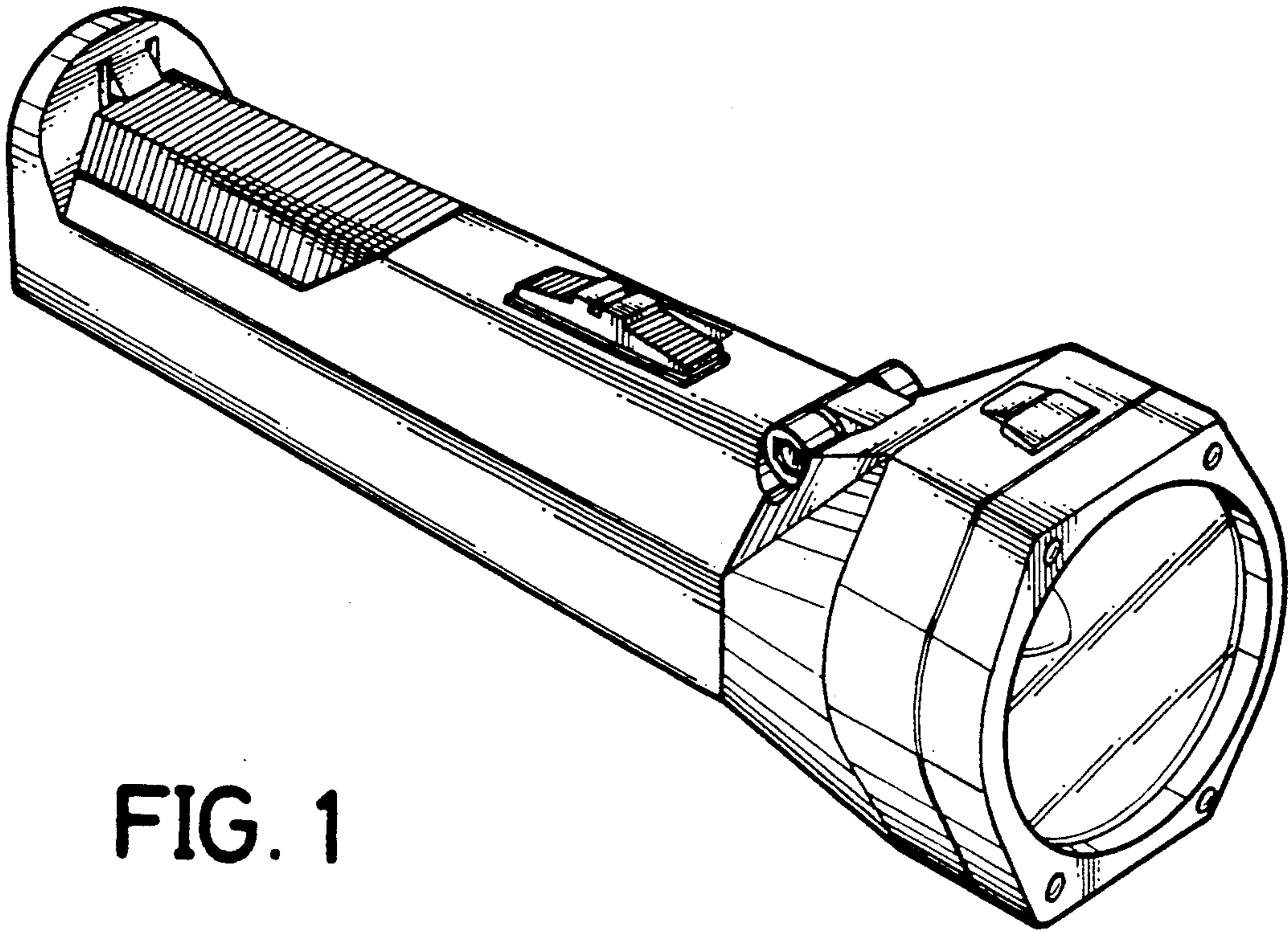


FIG. 1

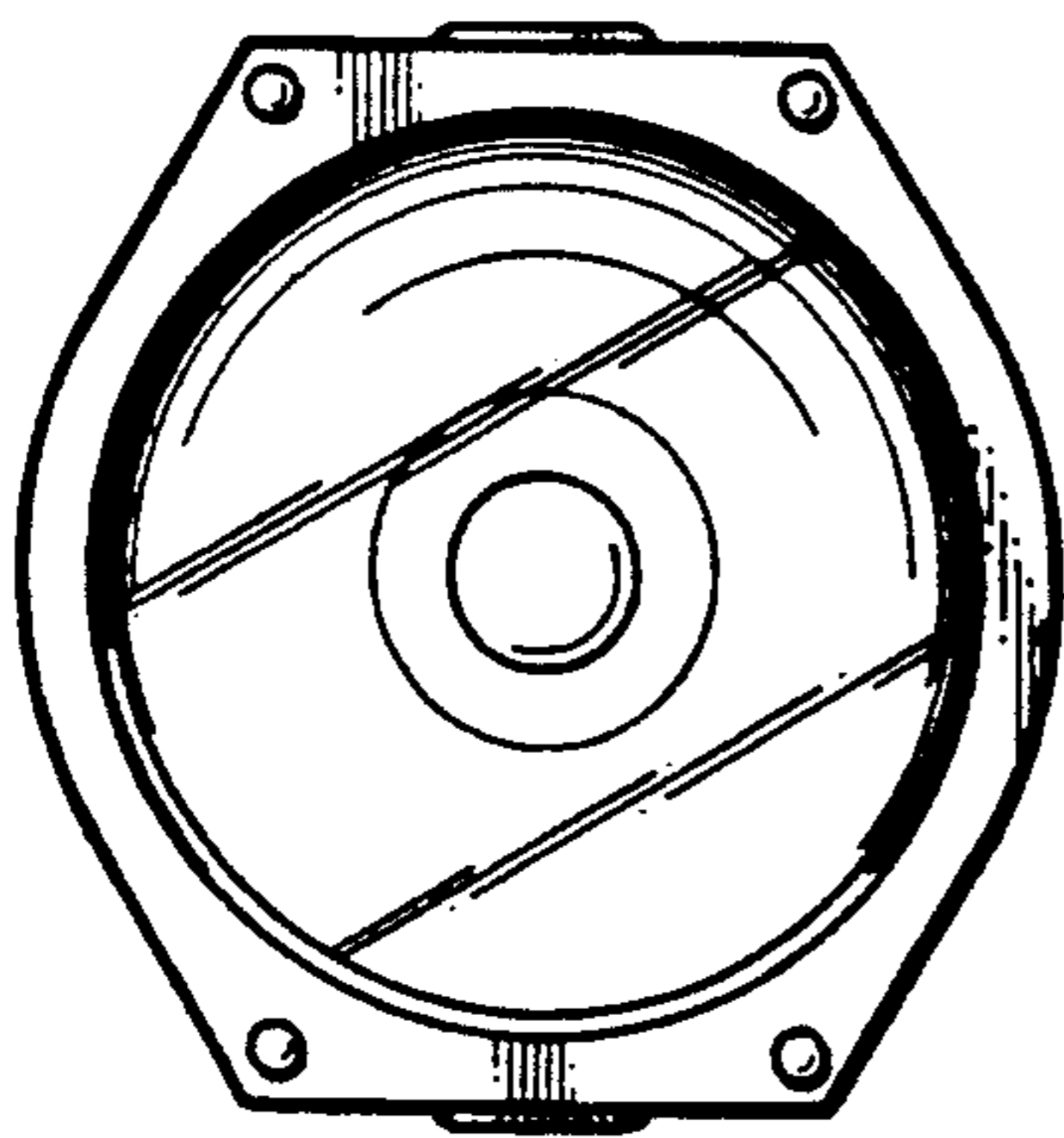


FIG. 2

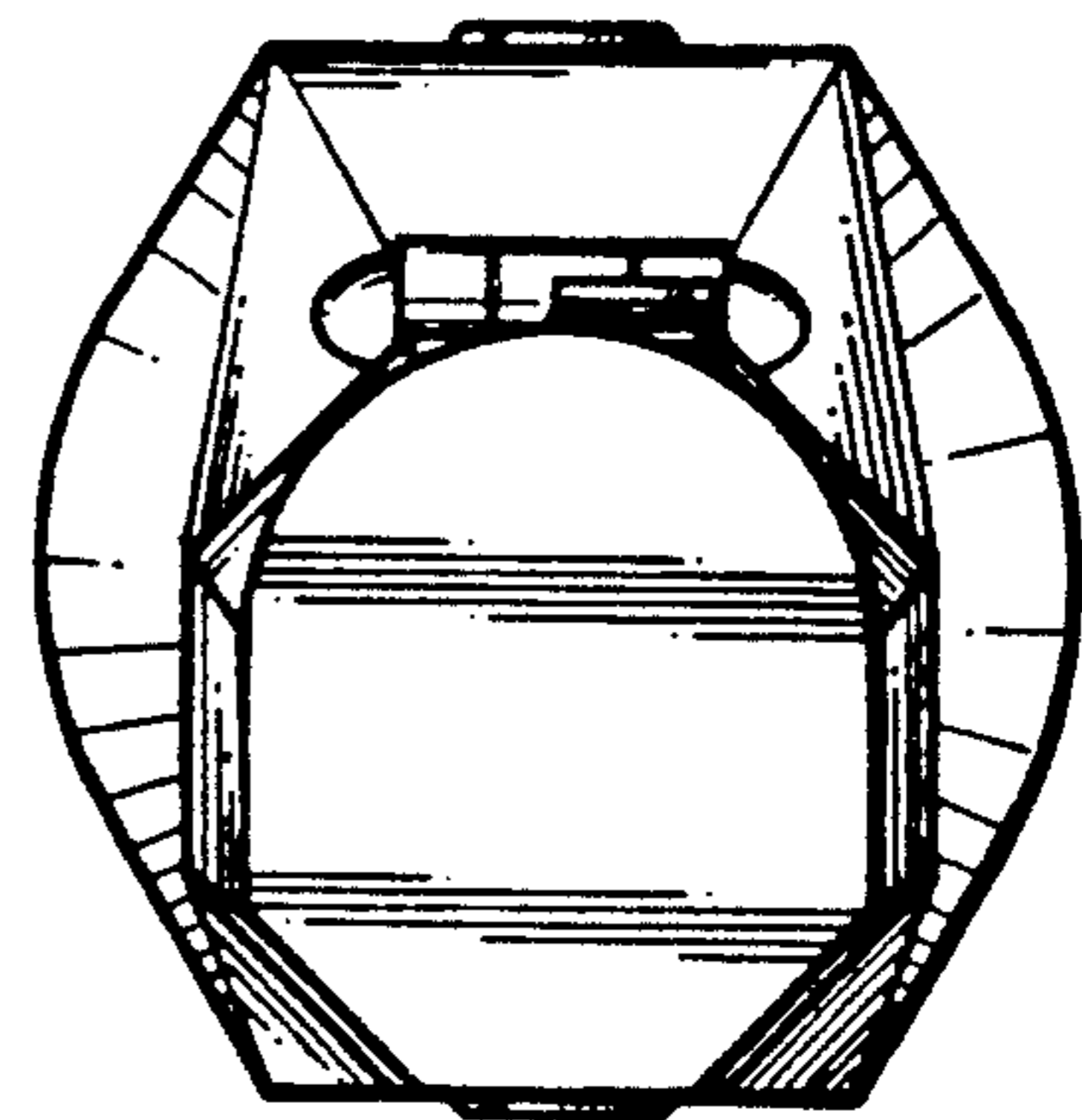


FIG. 3

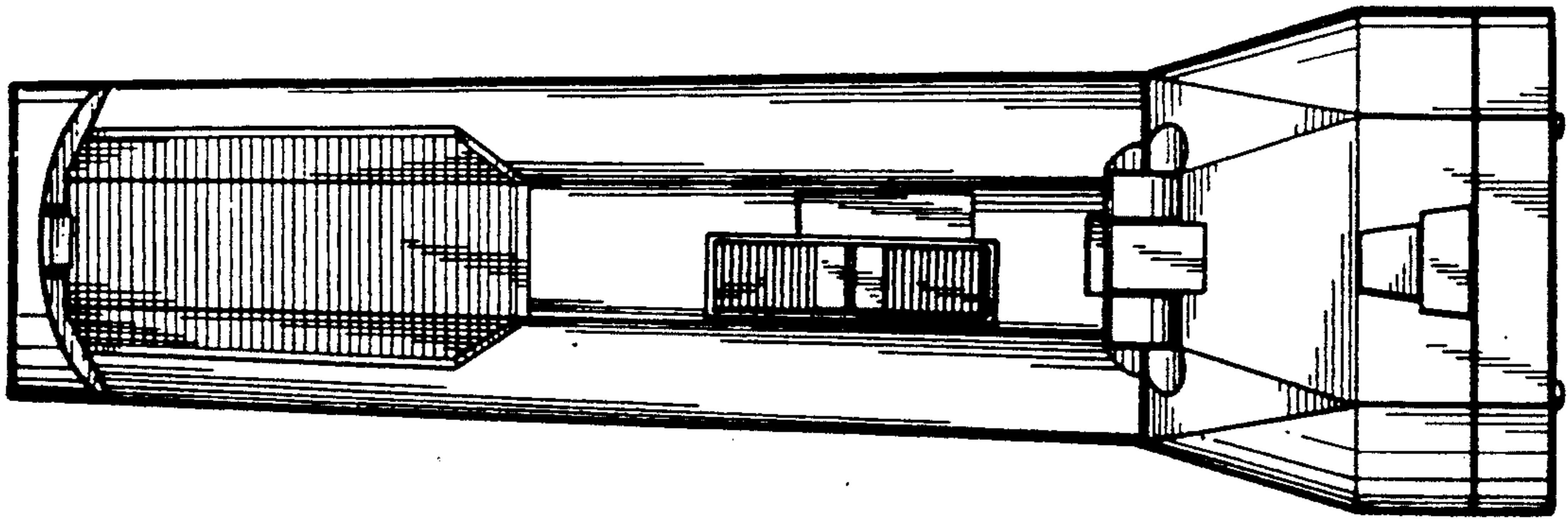


FIG. 5

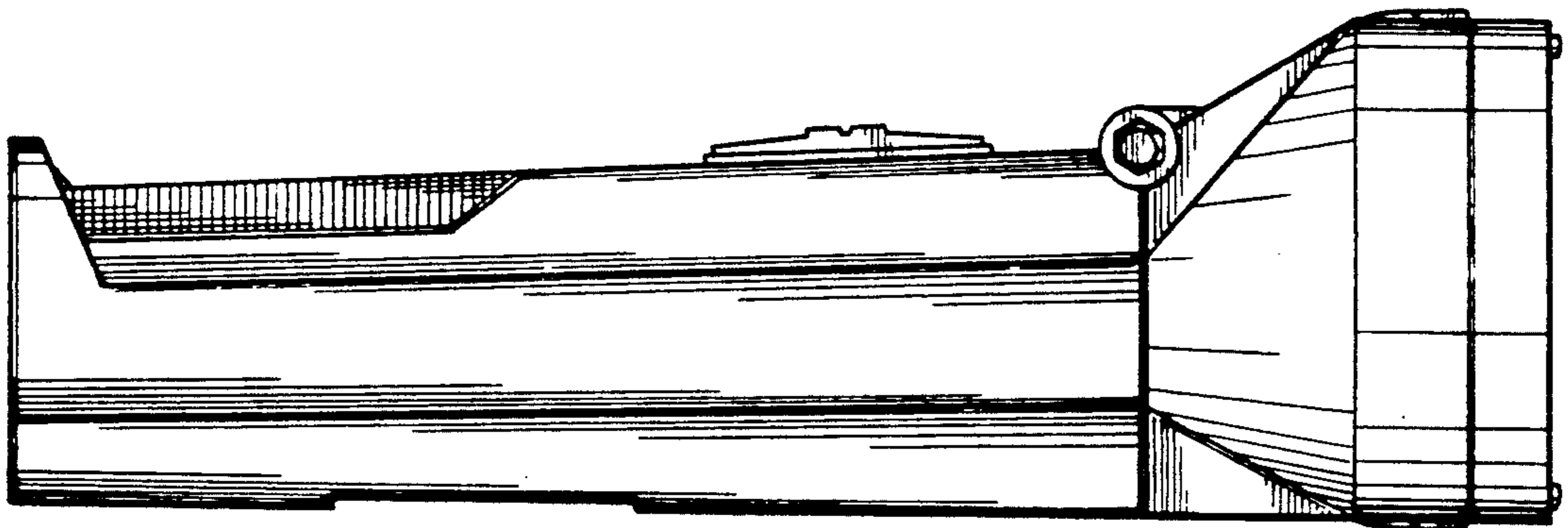


FIG. 4

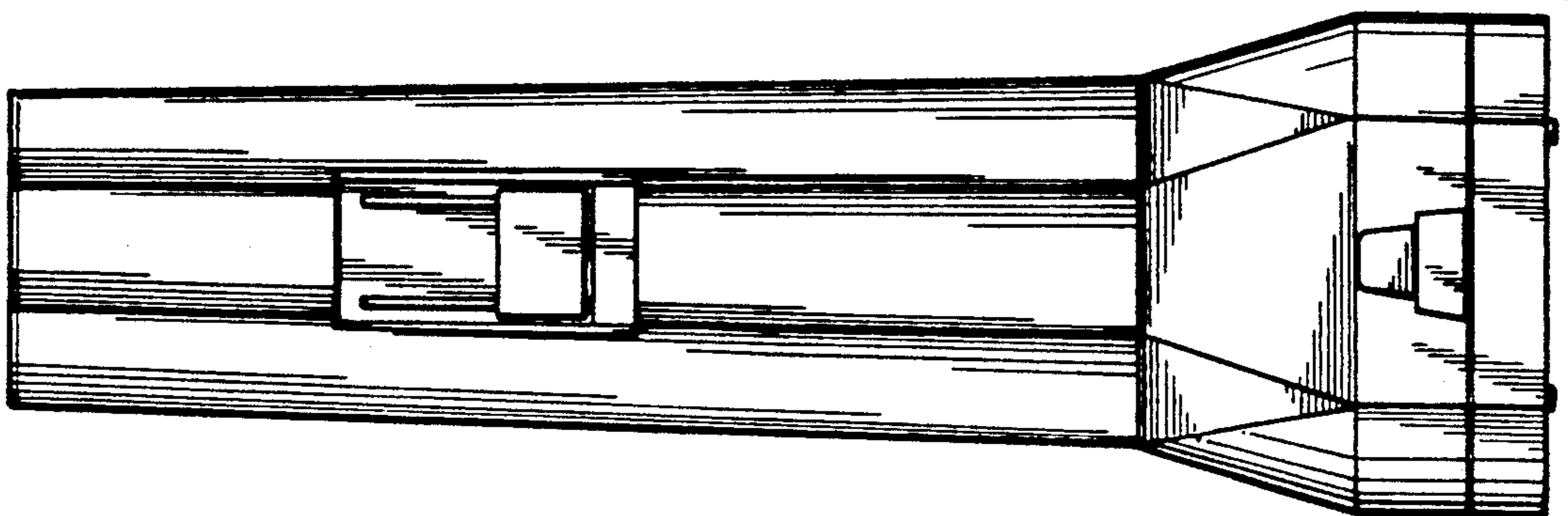


FIG. 6