



US00D332315S

United States Patent [19]

Weinerman

[11] Patent Number: Des. 332,315

[45] Date of Patent: ** Jan. 5, 1993

[54] EXTRUSION FOR USE WITH DOORS FORMED FROM SPACED PANELS

[75] Inventor: Lee S. Weinerman, Medina, Ohio

[73] Assignee: The Eastern Company, Cleveland, Ohio

[*] Notice: The portion of the term of this patent subsequent to Oct. 20, 2006 has been disclaimed.

[**] Term: 14 Years

[21] Appl. No.: 516,211

[22] Filed: Apr. 30, 1990

[52] U.S. Cl. D25/119

[58] Field of Search D25/119, 120, 121, 58, D25/48; 52/463, 464, 716; 49/394, 395, 495, 501, 381; 292/248

[56] References Cited

U.S. PATENT DOCUMENTS

| | | | | |
|------------|---------|-------------------|-------|-----------|
| D. 304,086 | 10/1989 | Eads | | D25/119 |
| 1,919,328 | 7/1933 | Hansen | | 49/395 X |
| 2,071,236 | 2/1937 | Pierce | | 49/495 X |
| 2,505,945 | 5/1950 | Dath | | 292/218 X |
| 2,558,824 | 7/1951 | Dath | | 292/218 X |
| 2,560,308 | 7/1951 | Spraragen | | 49/495 X |
| 2,596,353 | 5/1952 | Zollinger | | 292/218 |
| 2,753,602 | 7/1956 | Ringle | | 52/127.1 |
| 3,010,549 | 11/1961 | Ferriera et al. | | 49/395 |
| 3,055,969 | 9/1962 | Schaller, Jr. | | 49/395 X |
| 3,132,893 | 5/1964 | Herr et al. | | 49/394 X |
| 3,518,792 | 7/1970 | Williamson et al. | | 49/488 |
| 3,596,403 | 8/1971 | Carr | | 49/395 X |
| 3,660,940 | 5/1972 | Tavano | | 49/395 |
| 3,691,688 | 9/1972 | Kaiserswerth | | 49/394 |
| 3,717,955 | 2/1973 | Urbanick | | 49/488 |
| 3,756,671 | 9/1973 | White | | 308/15 |

| | | | | |
|-----------|---------|-------------------|-------|----------|
| 3,841,516 | 10/1974 | Marz | | 49/394 X |
| 3,886,686 | 6/1975 | Urbanick | | 49/488 |
| 3,950,894 | 4/1976 | DiMaio | | 49/394 X |
| 4,014,138 | 3/1977 | White | | 49/367 |
| 4,068,409 | 1/1978 | White | | 49/367 |
| 4,498,264 | 2/1985 | McCafferty et al. | | 52/281 |
| 4,660,872 | 4/1987 | Carson et al. | | 292/218 |
| 4,774,790 | 10/1988 | Hopper | | 52/463 |
| 4,943,110 | 7/1990 | Pastra | | 292/218 |
| 4,953,324 | 9/1990 | Herrmann | | 49/258 |

FOREIGN PATENT DOCUMENTS

| | | | | |
|---------|---------|----------------------|-------|---------|
| 502565 | 5/1954 | Canada | | 49/495 |
| 2517108 | 10/1975 | Fed. Rep. of Germany | | 49/394 |
| 2320414 | 8/1975 | France | | 49/501 |
| 448794 | 4/1968 | Switzerland | | 49/394 |
| 1249311 | 10/1971 | United Kingdom | | 292/218 |

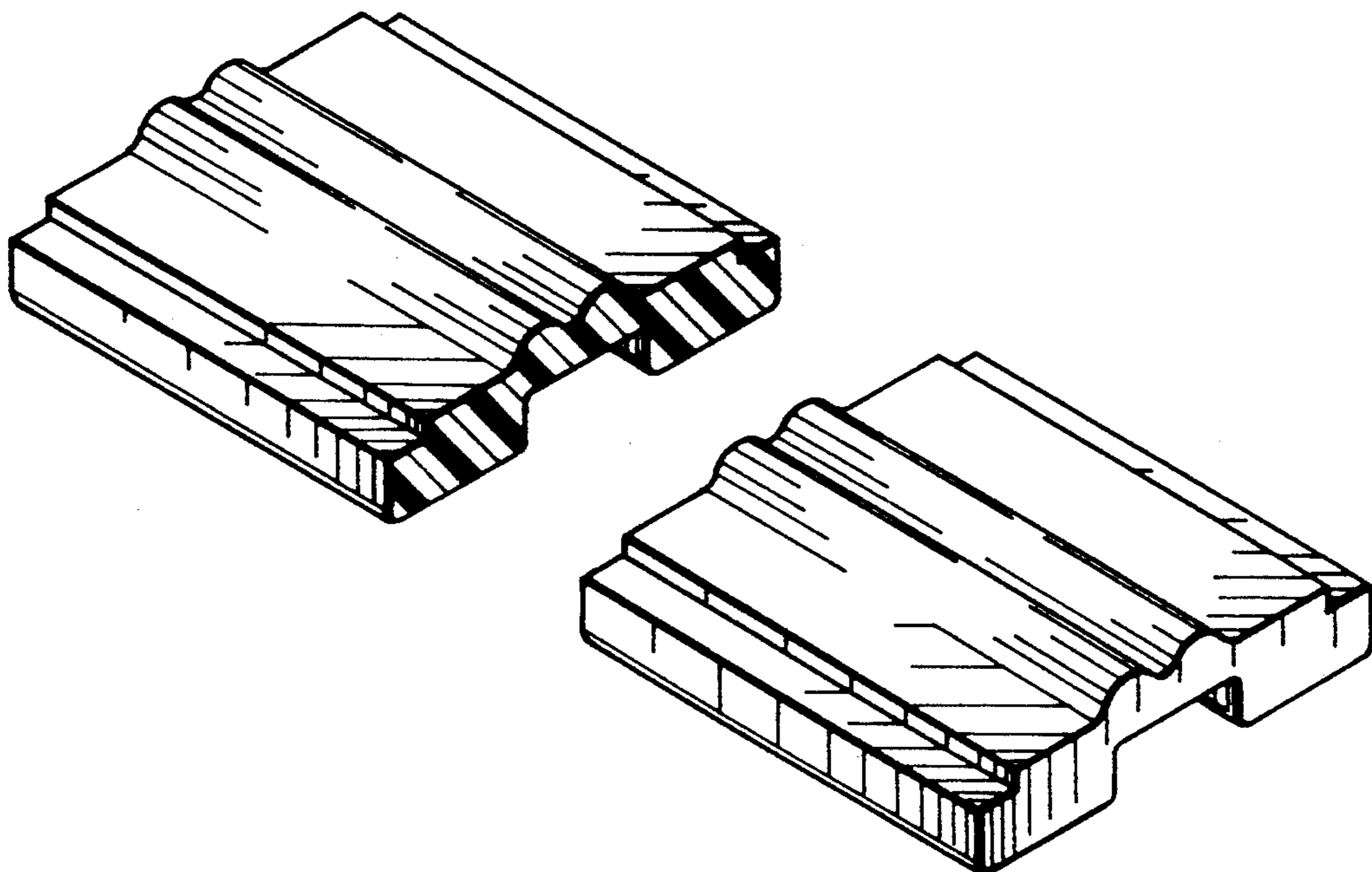
Primary Examiner—A. Hugo Word
Assistant Examiner—Doris Clark
Attorney, Agent, or Firm—David A. Burge

[57] CLAIM

The ornamental design for an extrusion for use with doors formed from spaced panels, as shown and described.

DESCRIPTION

FIG. 1 is a top perspective view of an extrusion for use with doors formed from spaced panels showing my new design, with the extrusion being broken in the center to indicate indeterminate length;
FIG. 2 is a bottom perspective view thereof;
FIG. 3 is an end elevational view thereof;
FIG. 4 is a front elevational view thereof, the broken lines showing a door is for illustrative purposes only and form no part of the claimed design; and,
FIG. 5 is a cross-sectional view taken along line 5—5 of FIG. 4.



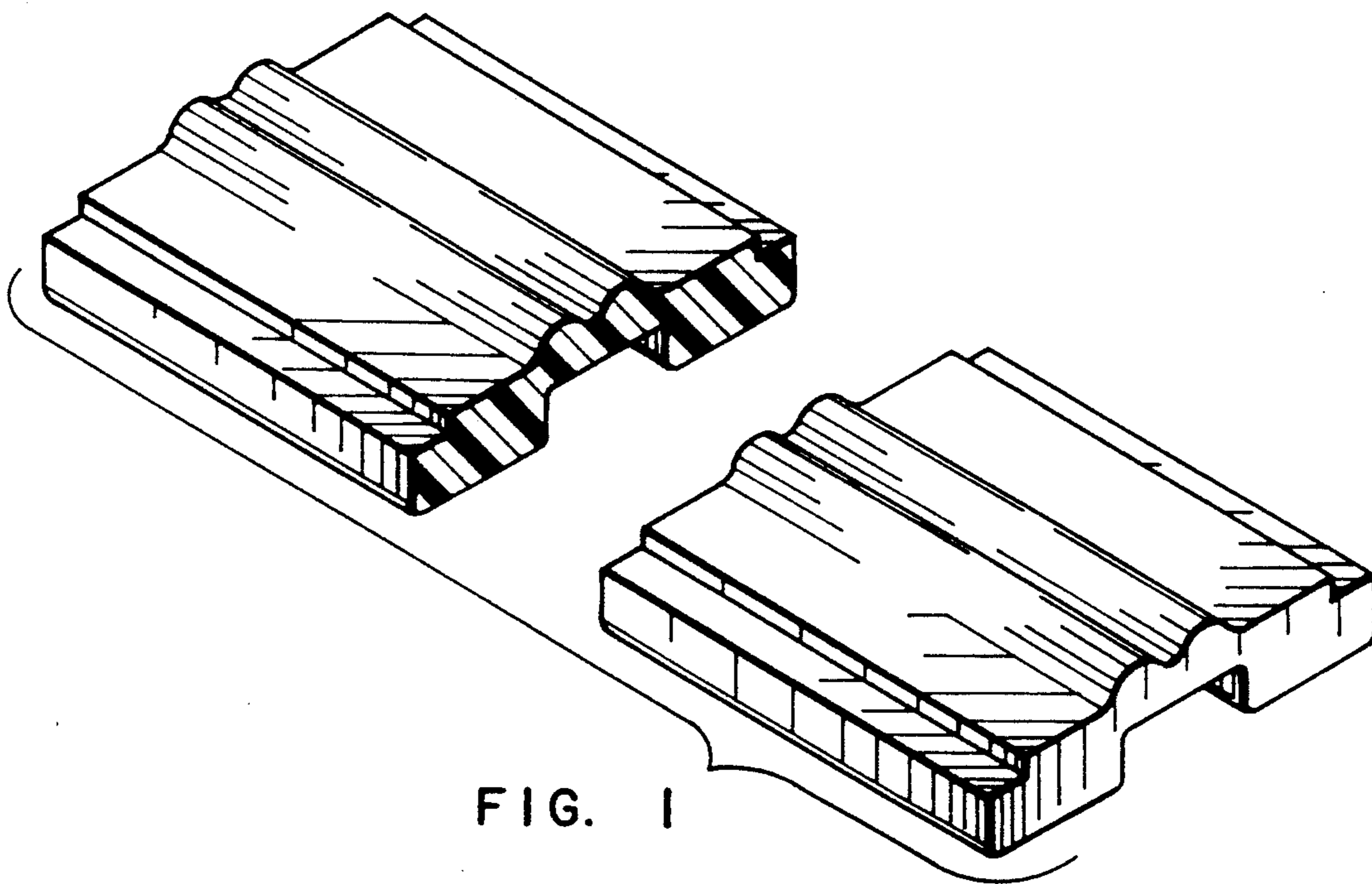


FIG. 1

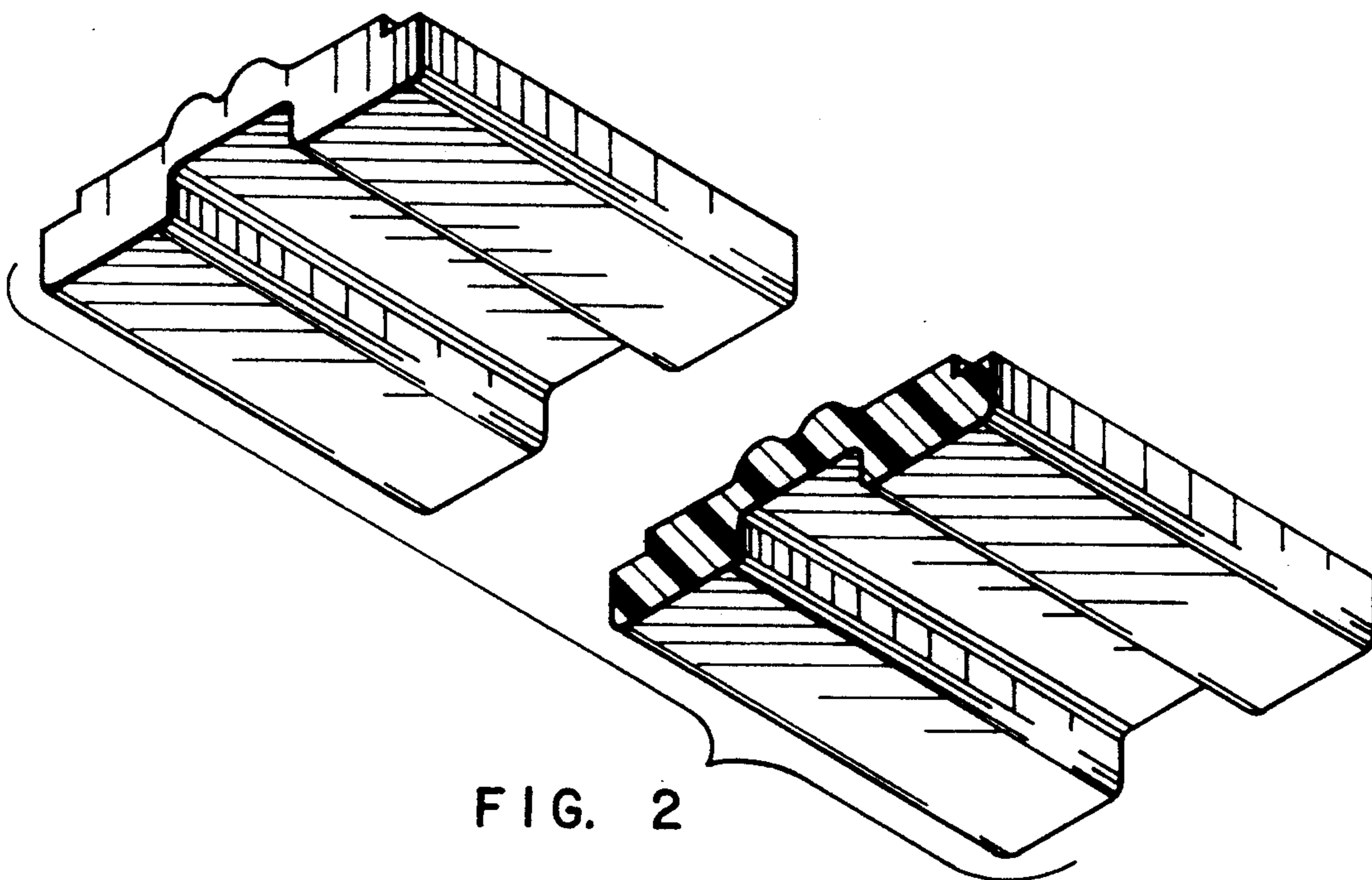


FIG. 2



FIG. 3

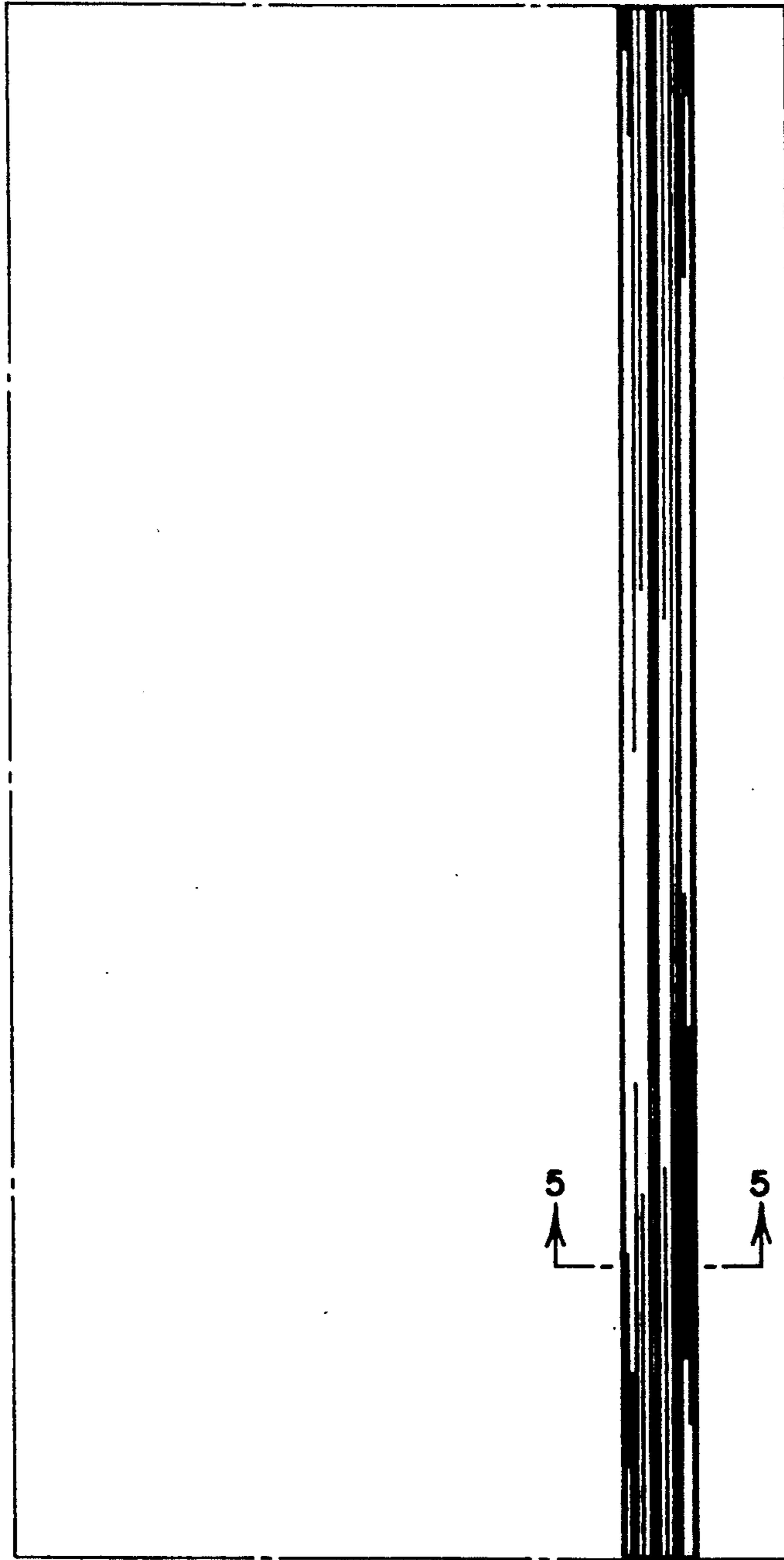


FIG. 4



FIG. 5