



US00D332308S

United States Patent [19]

Imbert et al.

[11] Patent Number: **Des. 332,308**

[45] Date of Patent: **** Jan. 5, 1993**

[54] **NEEDLE SHIELD**

[75] Inventors: **Claude Imbert, LaTronche; Jean M. Jouet, Meylan; Patrick Carre, Voiron, all of France**

[73] Assignee: **Becton, Dickinson and Company, Franklin Lakes, N.J.**

[**] Term: **14 Years**

[21] Appl. No.: **503,559**

[22] Filed: **Mar. 30, 1990**

[52] U.S. Cl. **D24/130**

[58] Field of Search **D24/23, 112, 113, 114, D24/130; 433/89, 90; 604/54, 110, 232**

[56] **References Cited**

U.S. PATENT DOCUMENTS

D. 248,491	7/1978	Reiss	D24/130
D. 267,587	1/1983	Ambrosio et al.	D24/25
D. 297,570	9/1988	Ambrose et al.	D24/25
D. 302,296	7/1989	Harmony	D24/25
4,840,618	6/1989	Marvel	D24/130
4,946,447	8/1990	Hardcastle et al.	604/198

4,997,422	5/1991	Chow et al.	604/198
5,019,051	5/1991	Hake	604/197
5,057,088	10/1991	Narayanan	604/198

Primary Examiner—A. Hugo Word
Assistant Examiner—Celia A. Murphy
Attorney, Agent, or Firm—John L. Voellmicke

[57] **CLAIM**

The ornamental design for a needle shield, as shown and described.

DESCRIPTION

FIG. 1 is a front perspective view of a needle shield showing my new design;
FIG. 2 is a rear perspective view thereof;
FIG. 3 is a top plan view thereof;
FIG. 4 is a bottom plan view thereof;
FIG. 5 is a right side elevational view thereof;
FIG. 6 is a front elevational view thereof;
FIG. 7 is a left side elevational view thereof;
FIG. 8 is a rear elevational view thereof;
FIG. 9 is a front perspective view of an alternate embodiment of the design shown in FIG. 1; and,
FIG. 10 is a rear perspective view of FIG. 9.

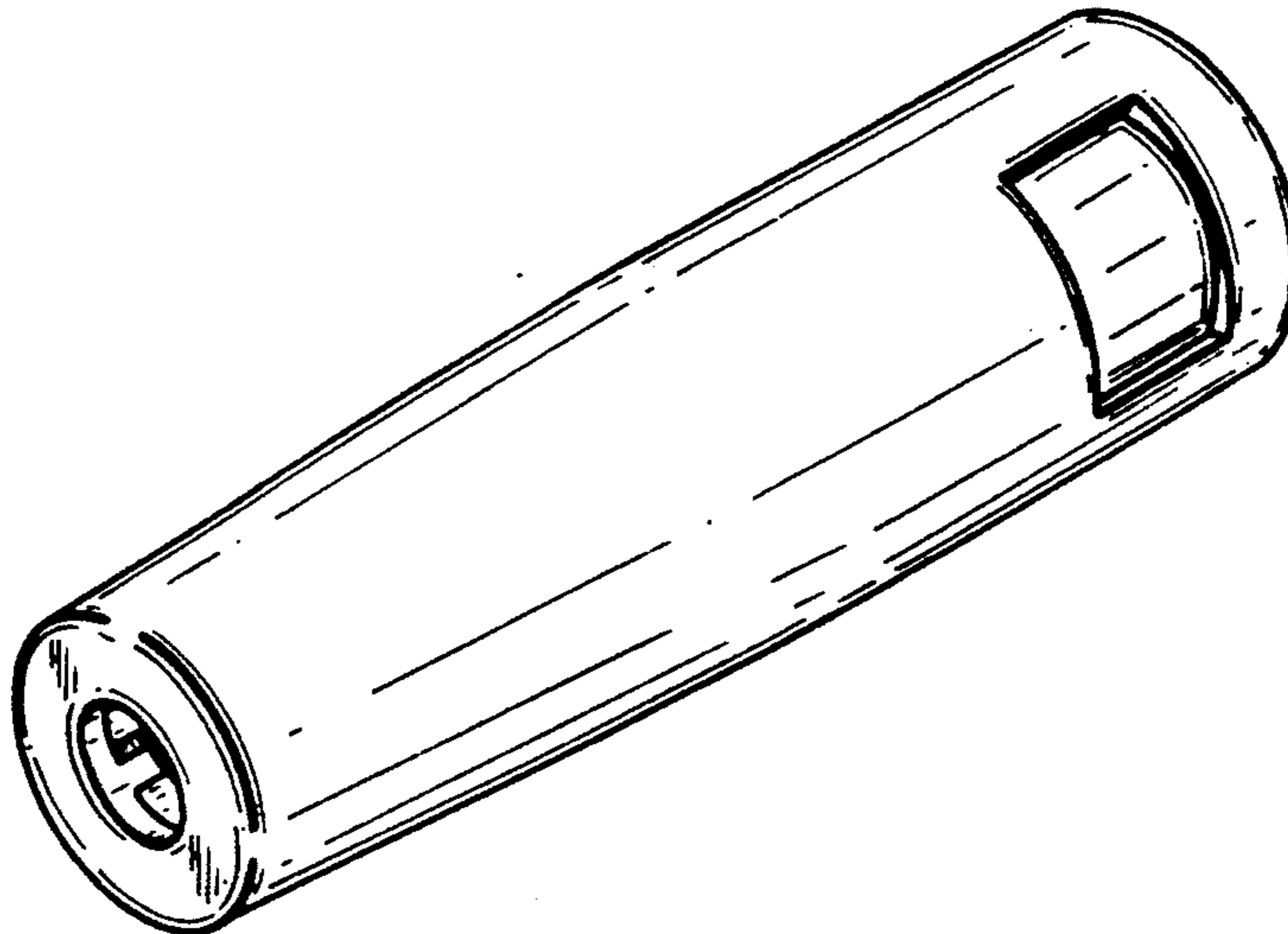


FIG-1

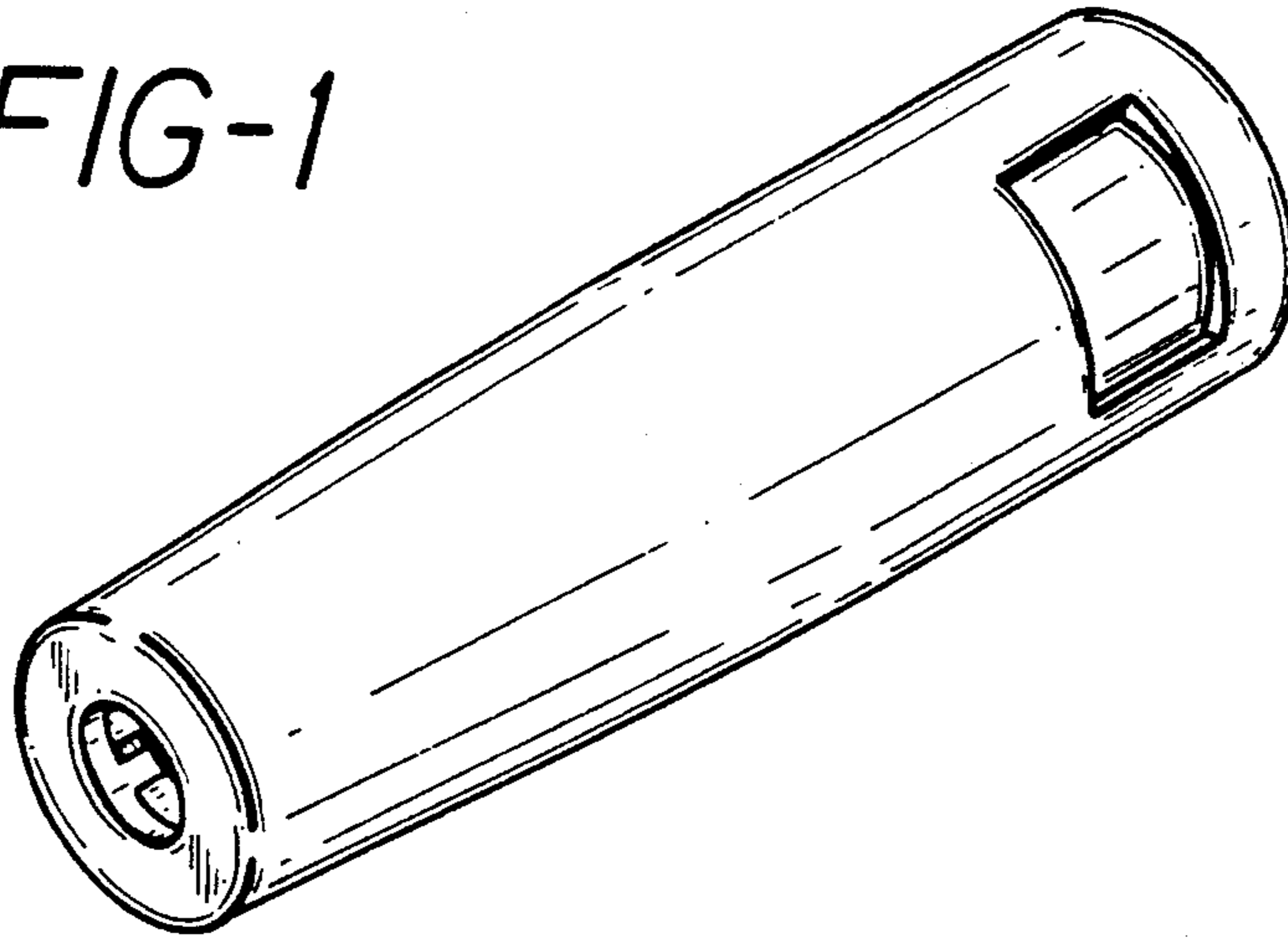


FIG-2

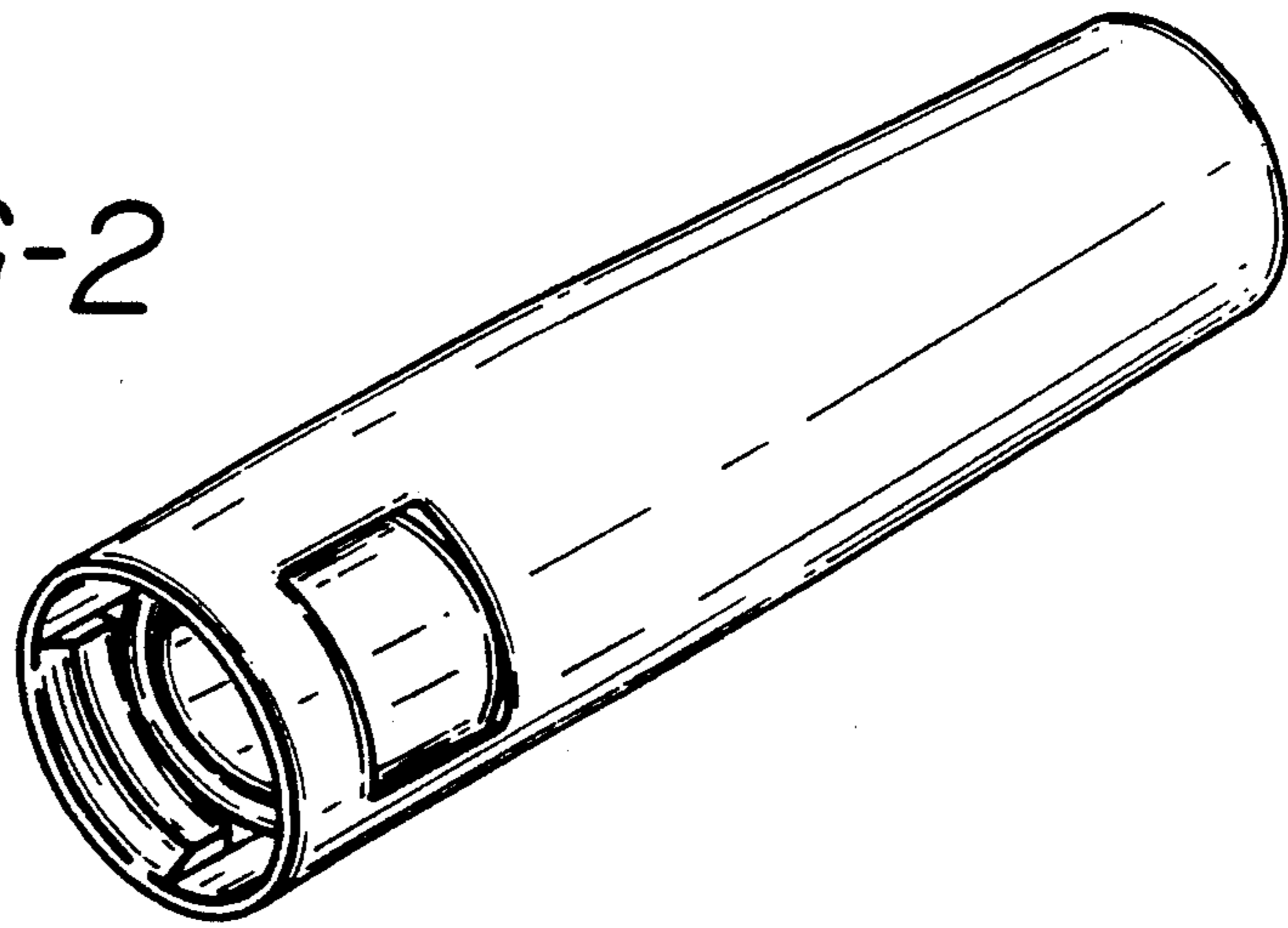


FIG-3

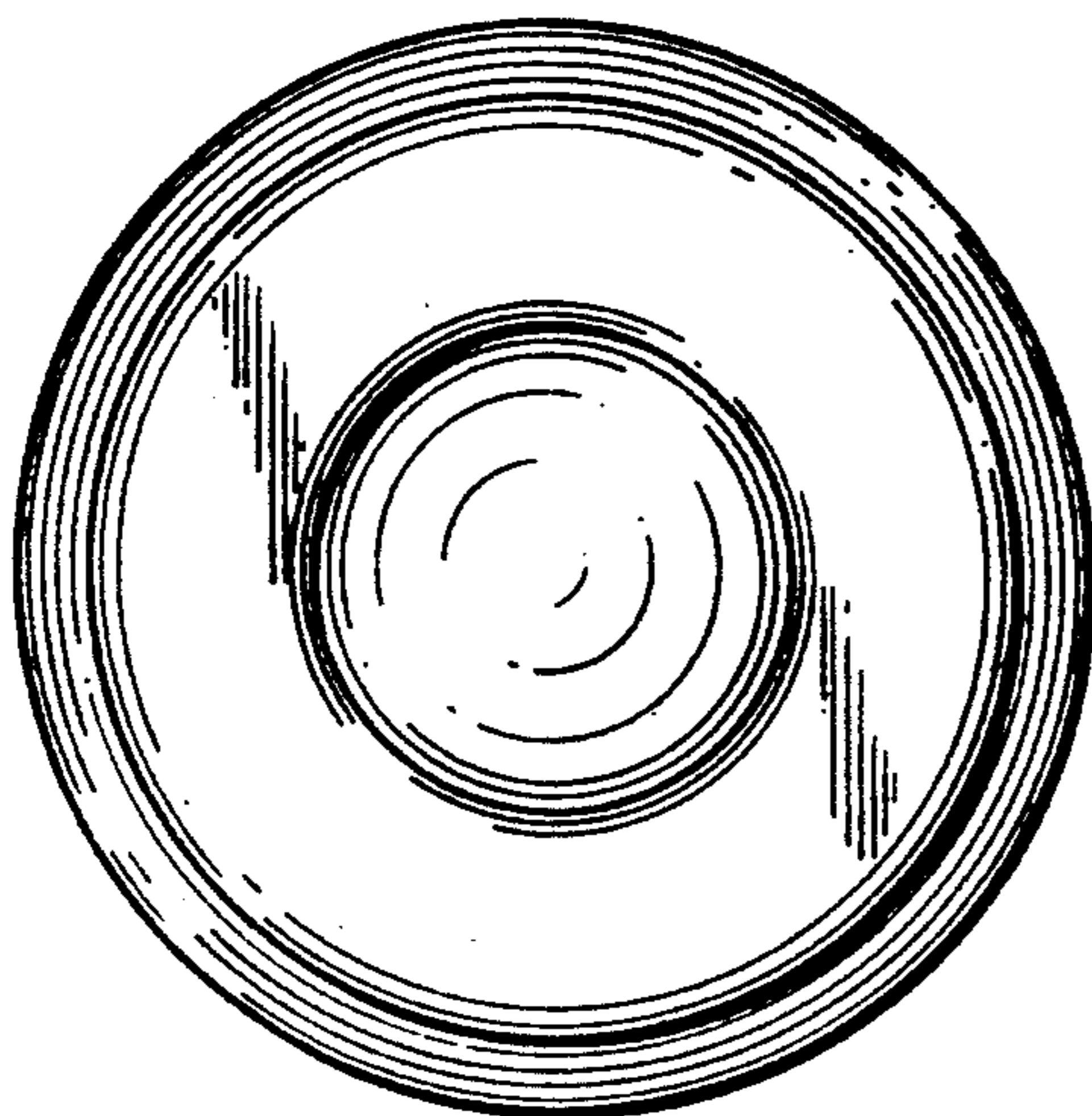


FIG-4

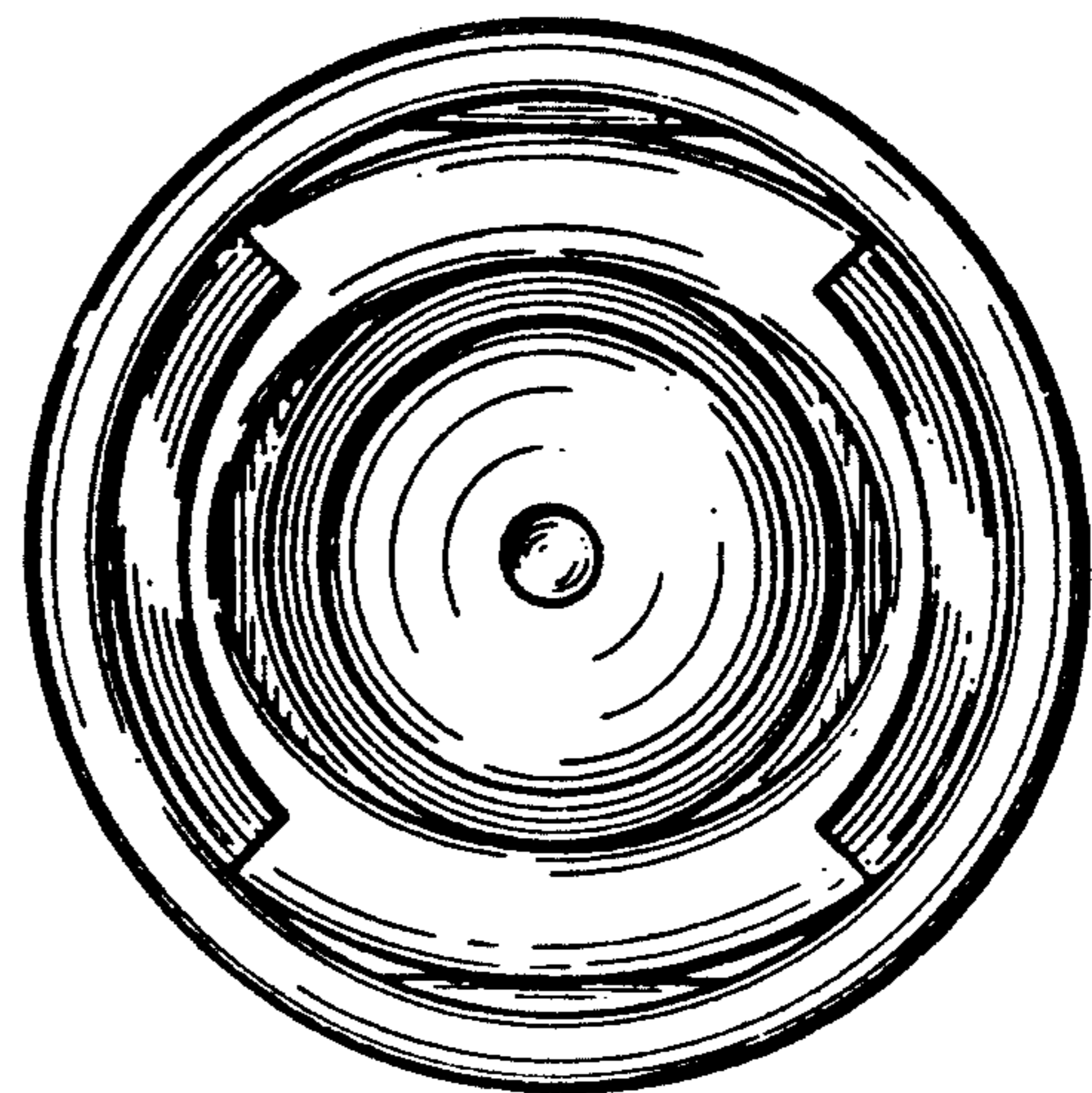


FIG-5

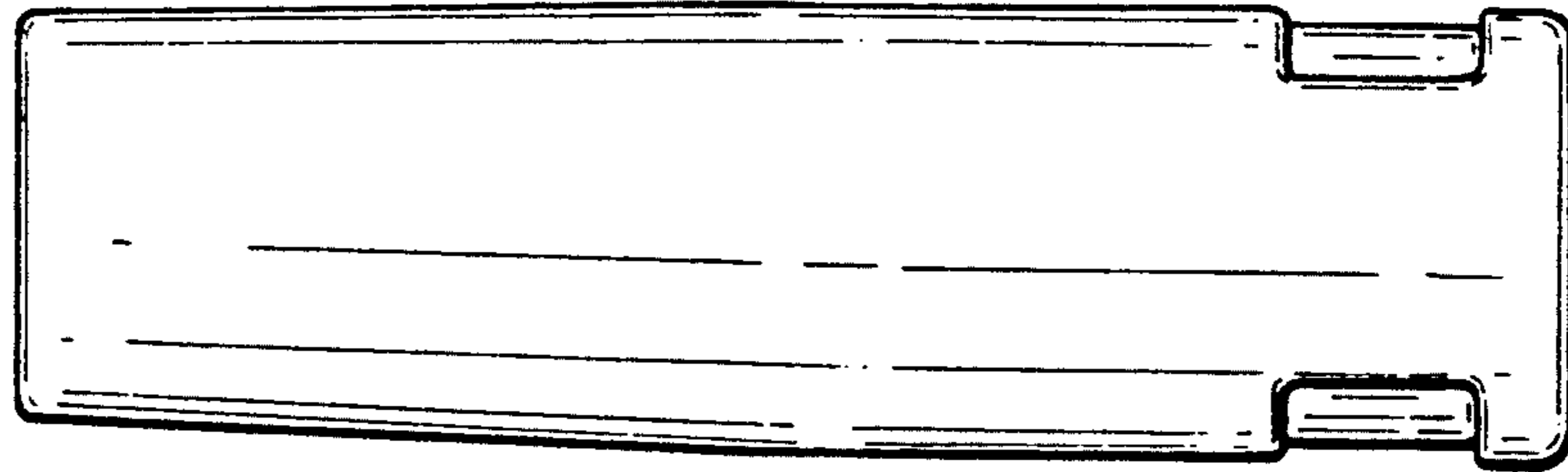


FIG-6

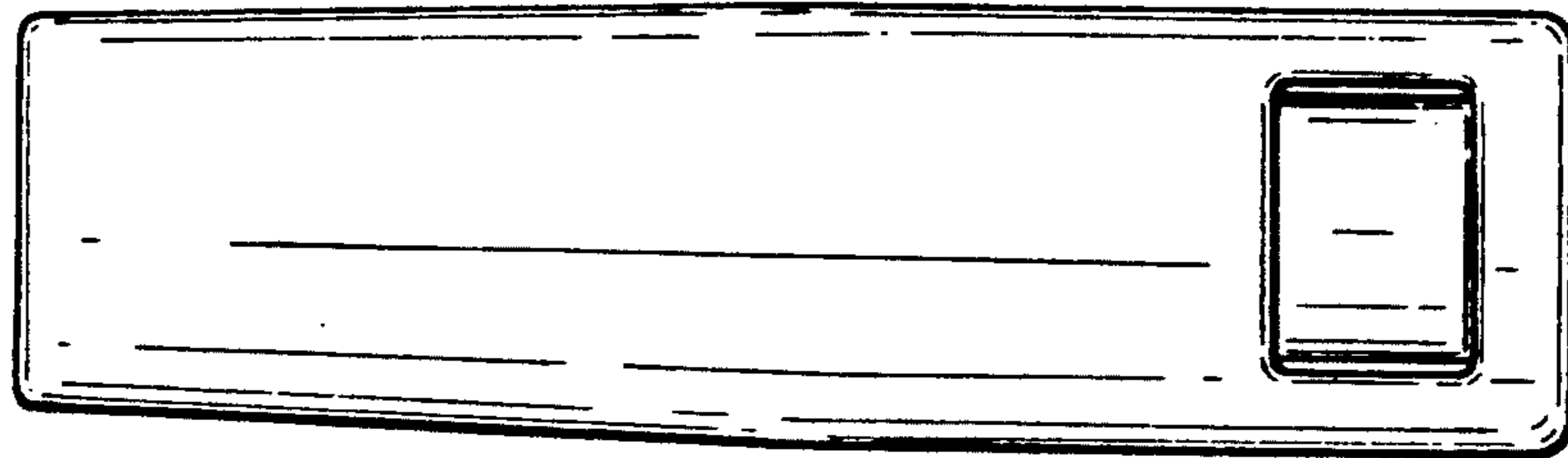


FIG-7

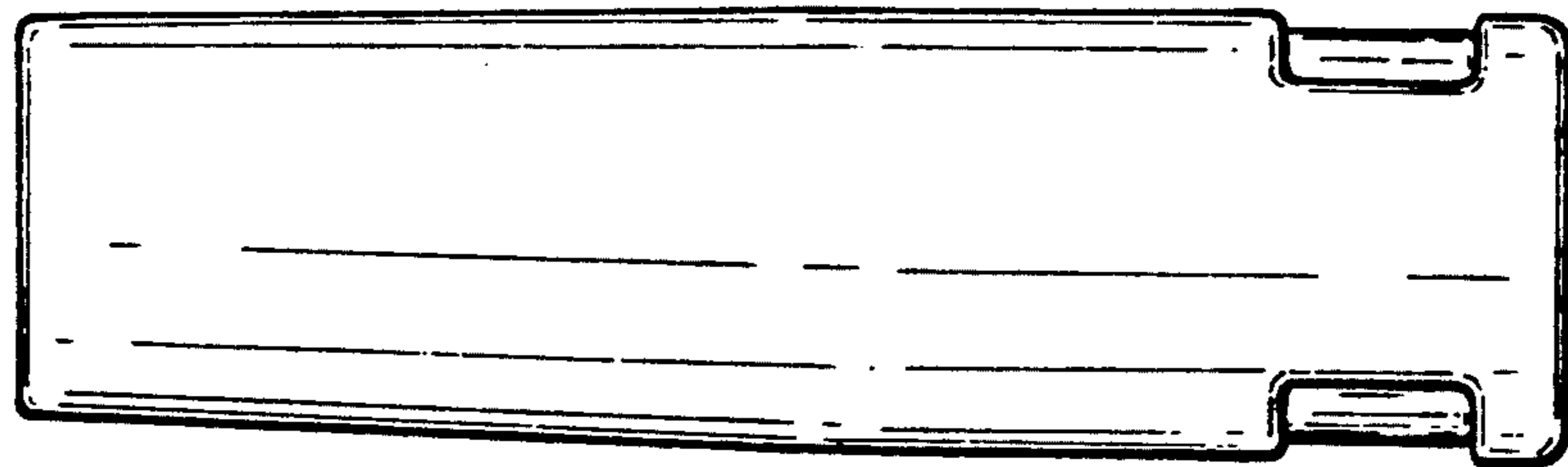


FIG-8

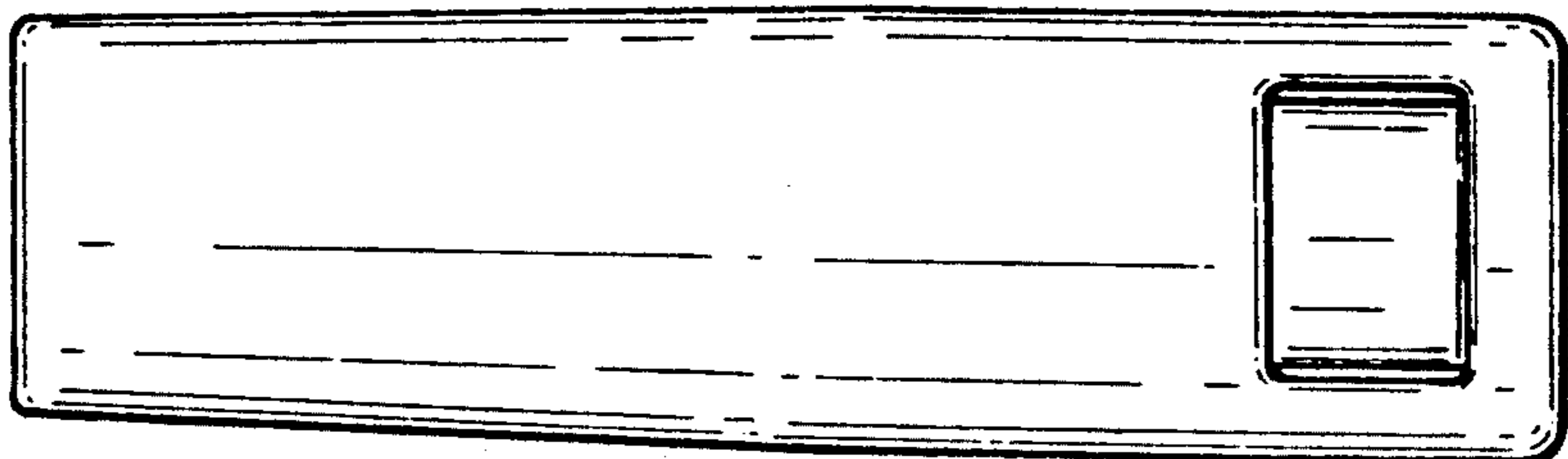


FIG-9

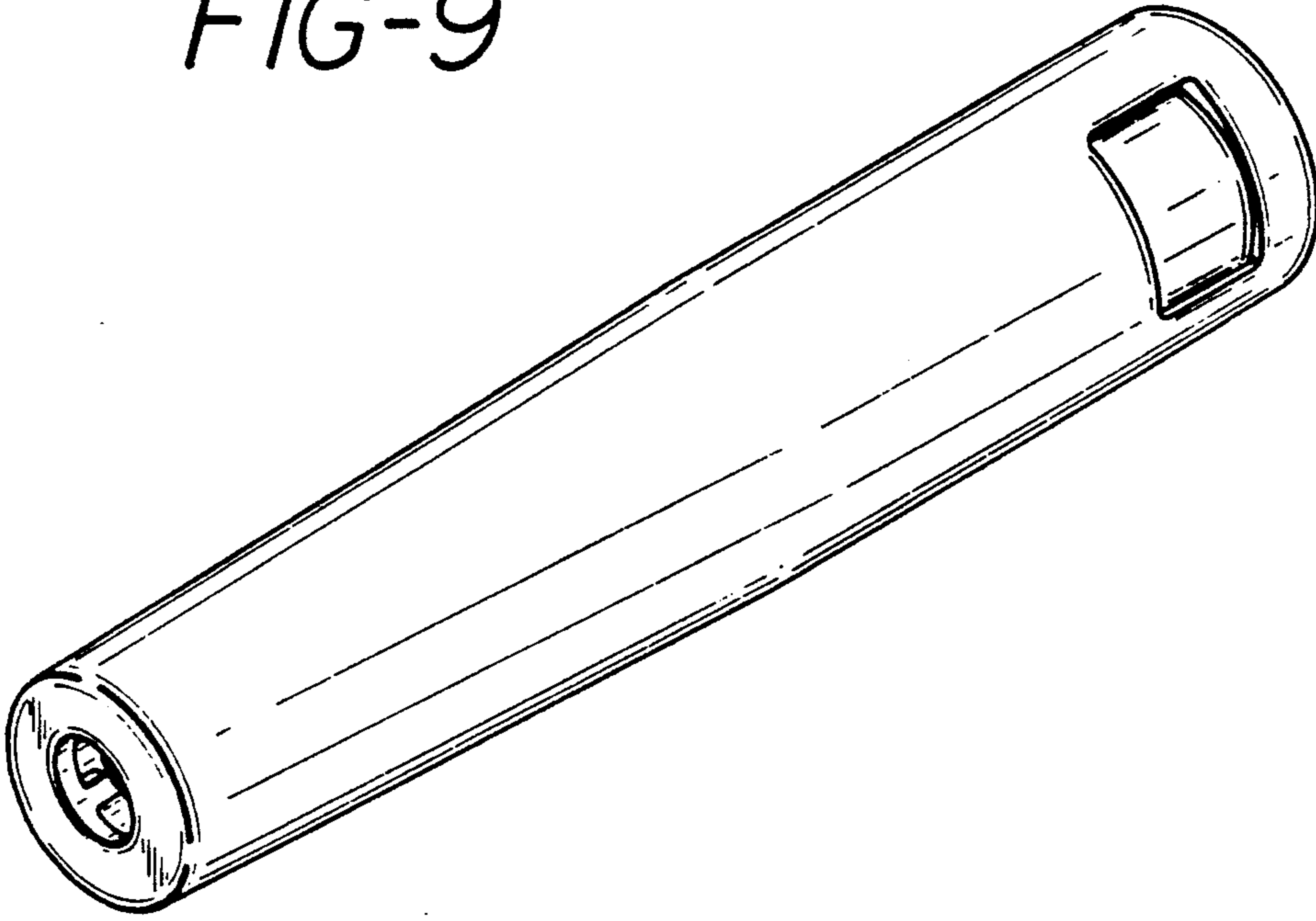


FIG-10

