



US00D332307S

United States Patent [19]

Kotake

[11] Patent Number: **Des. 332,307**

[45] Date of Patent: **** Jan. 5, 1993**

- [54] **COUPLING FOR A TANK**
- [75] Inventor: **Naoyuki Kotake**, Tokyo, Japan
- [73] Assignee: **Nitto Kohki Co., Ltd.**, Tokyo, Japan
- [**] Term: **14 Years**
- [21] Appl. No.: **547,155**
- [22] Filed: **Jul. 3, 1990**
- [30] **Foreign Application Priority Data**
 Jan. 10, 1990 [JP] Japan 2-160
- [52] U.S. Cl. **D24/129**
- [58] Field of Search D23/262, 263; D24/129,
 D24/111; 251/144; 604/23, 32, 33
- [56] **References Cited**
U.S. PATENT DOCUMENTS
 D. 282,772 2/1986 Fleury D23/263
 2,524,052 10/1950 Grant, Jr. 251/144
 2,530,433 11/1950 Jaegle 251/144

- 3,052,256 9/1962 Smirles 251/144
- 4,119,295 10/1978 Blocker 251/144
- 4,697,611 10/1987 Winland et al. 251/144
- 4,703,775 11/1987 Pastrone 604/33

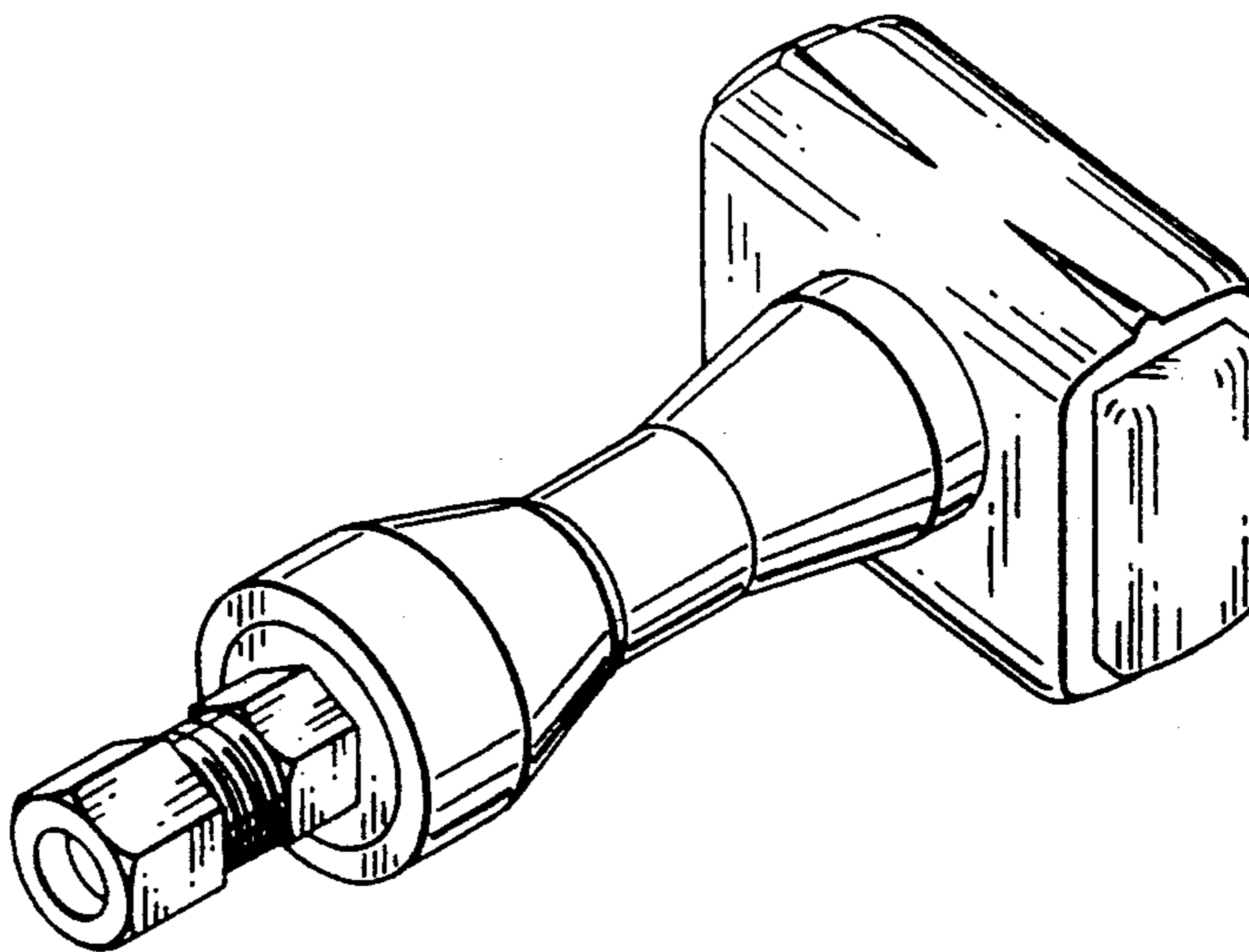
Primary Examiner—Bernard Ansher
Assistant Examiner—Philip Hyder
Attorney, Agent, or Firm—Wenderoth, Lind & Ponack

[57] CLAIM

The ornamental design for coupling for a tank, as shown.

DESCRIPTION

FIG. 1 is a perspective view side of a coupling for a tank showing my design;
 FIG. 2 is a front elevational view thereof;
 FIG. 3 is a rear elevational view thereof;
 FIG. 4 is a left side elevational view thereof;
 FIG. 5 is a right side elevational view thereof; and,
 FIG. 6
 FIG. 7 is a bottom plan view thereof.



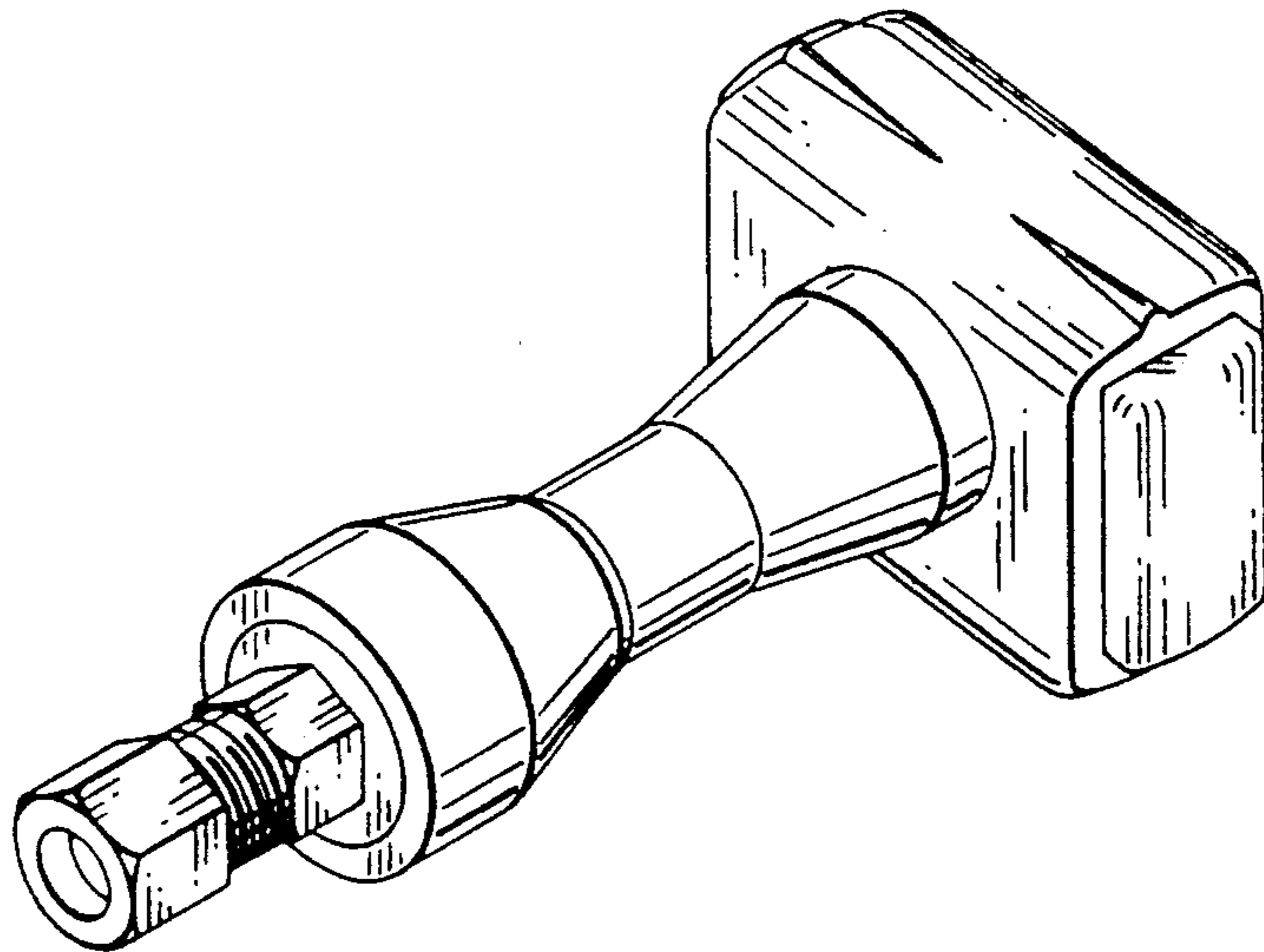


FIG. 1

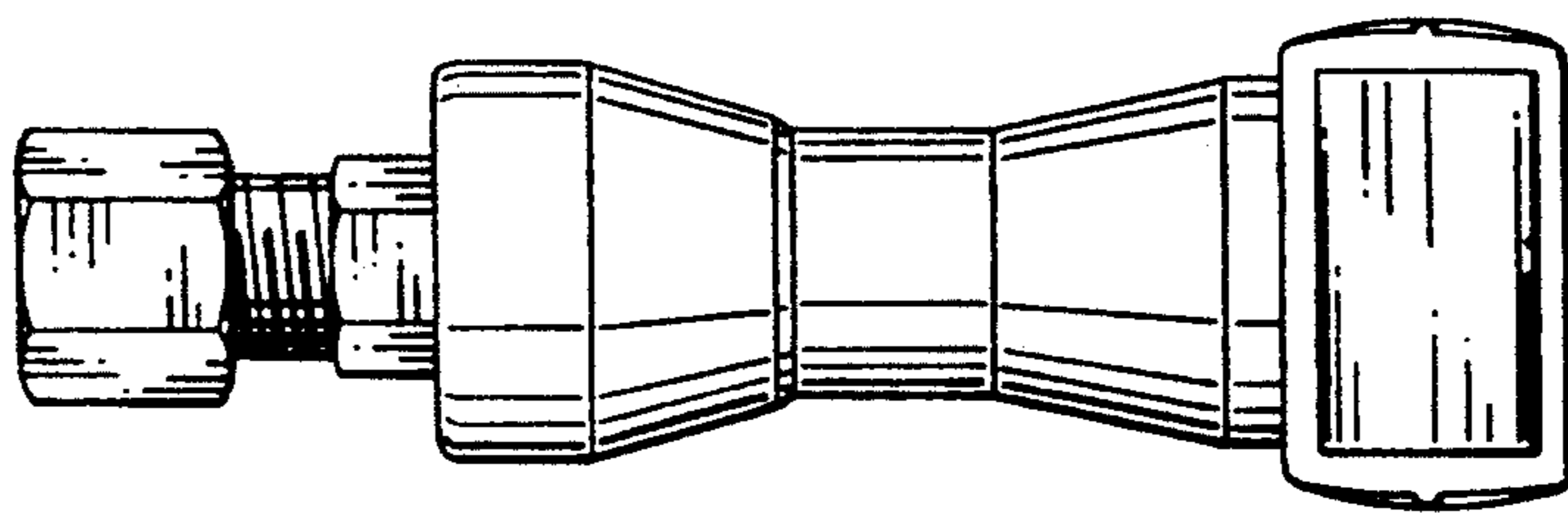


FIG. 2

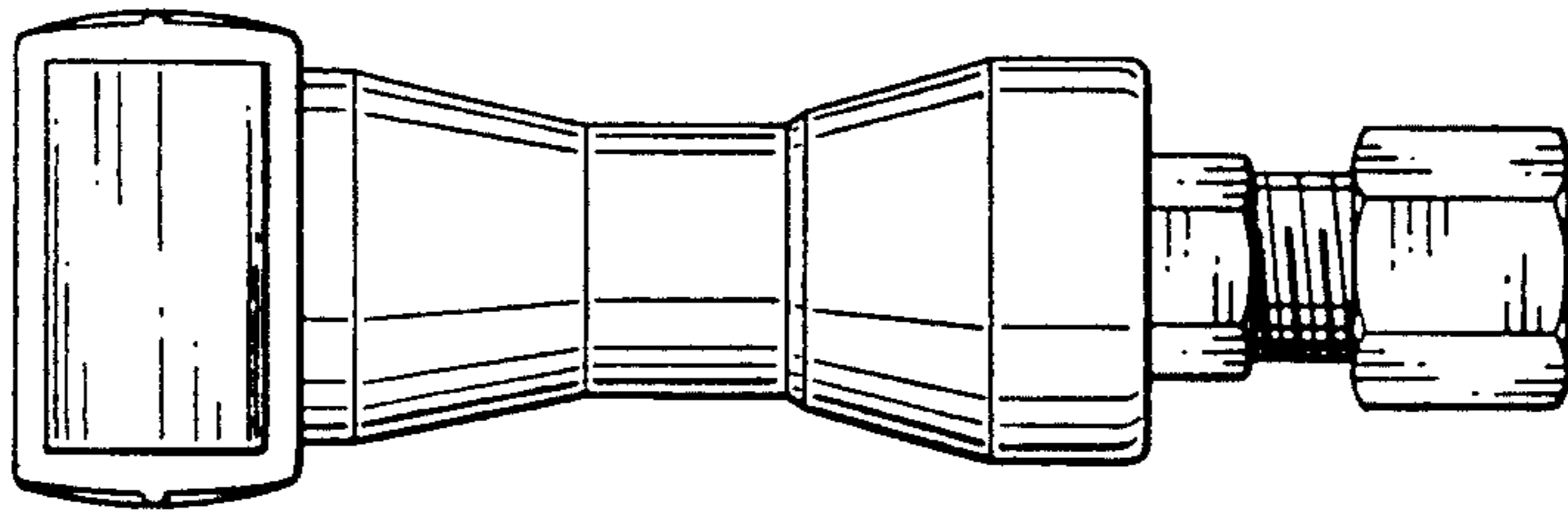


FIG. 3

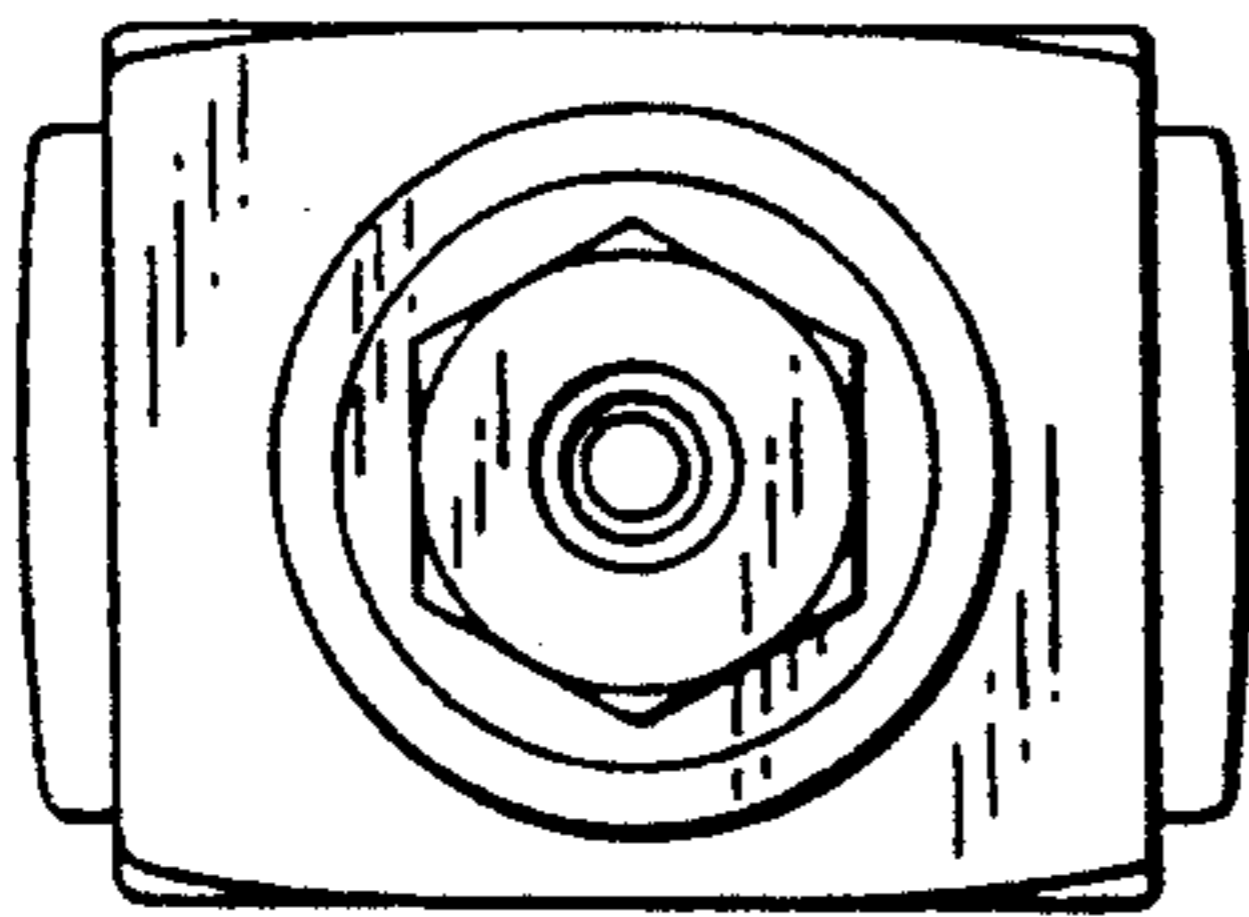


FIG. 4

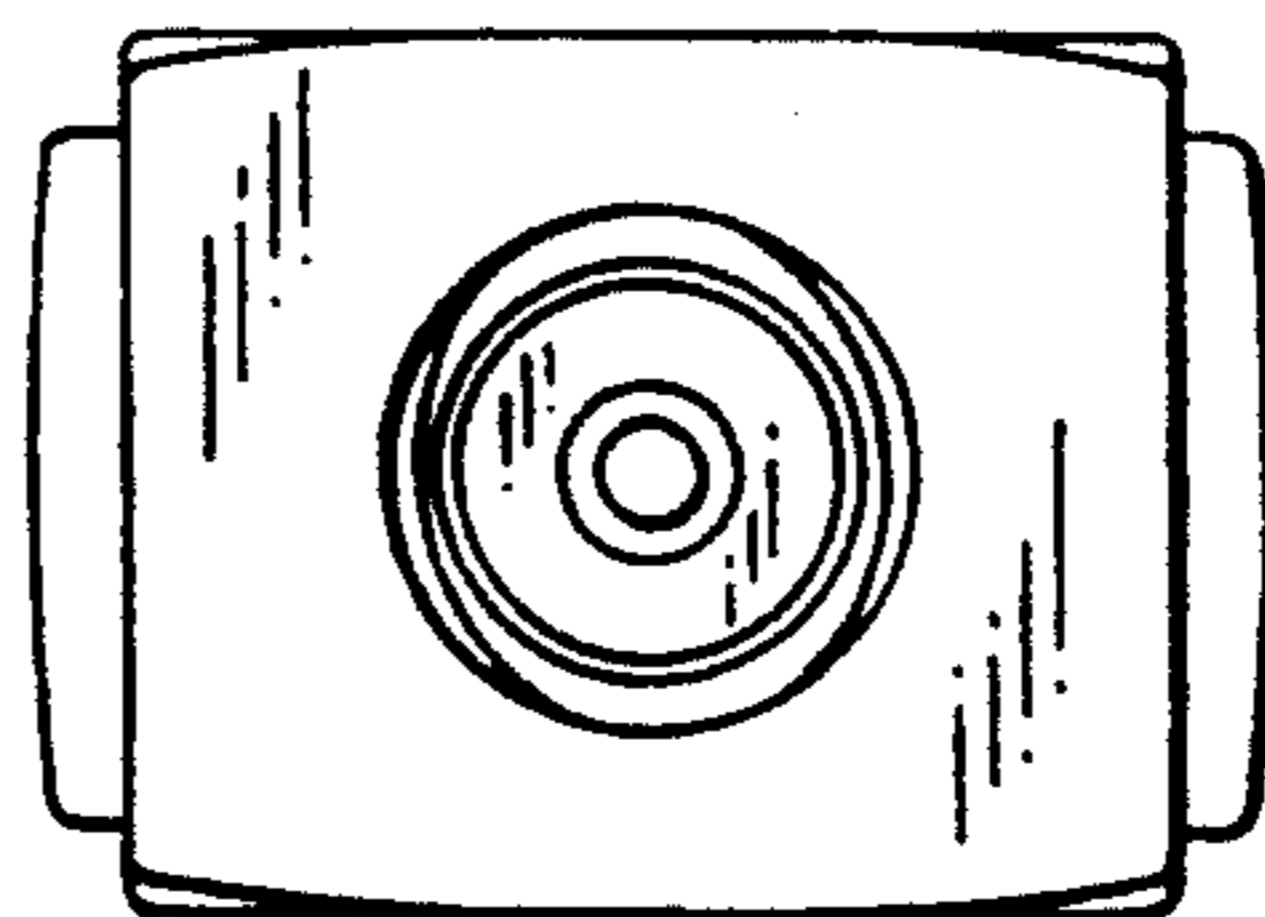


FIG. 5

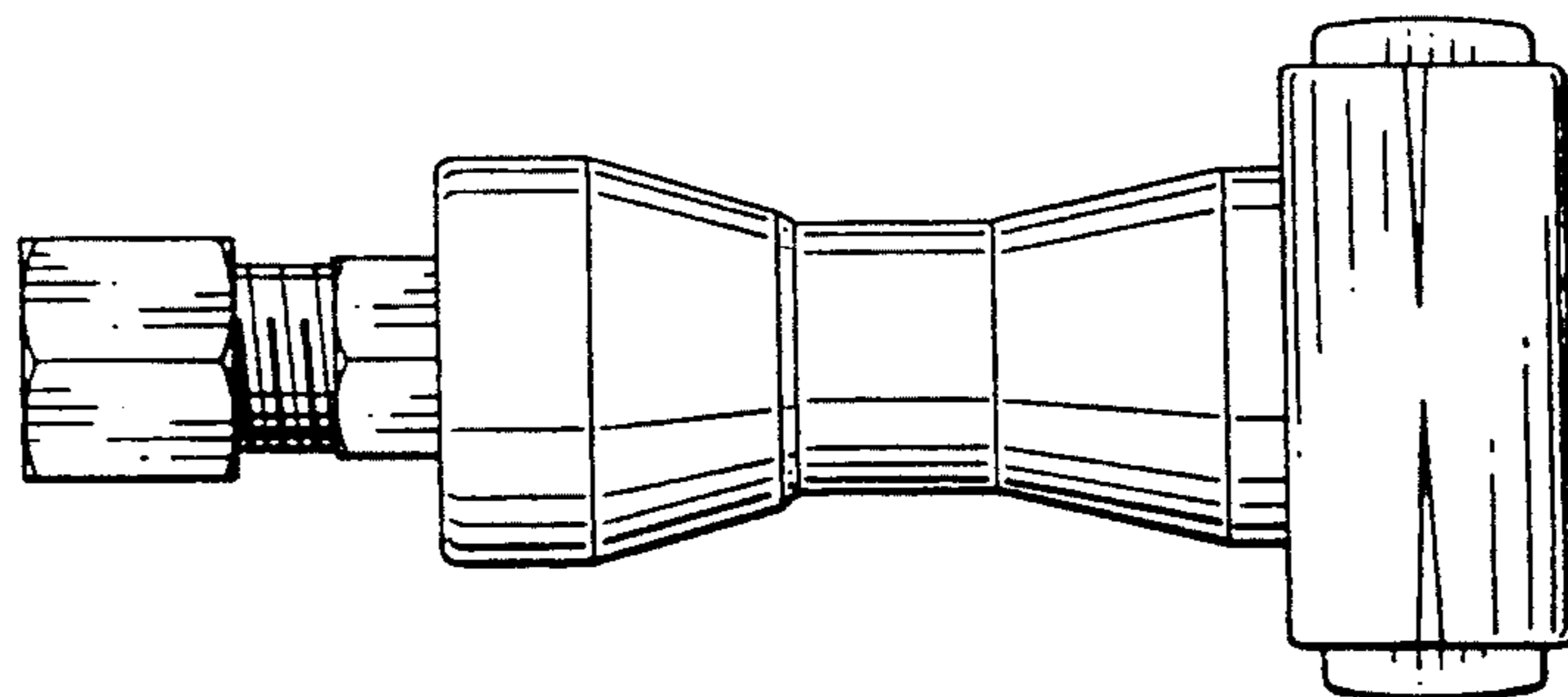


FIG. 6

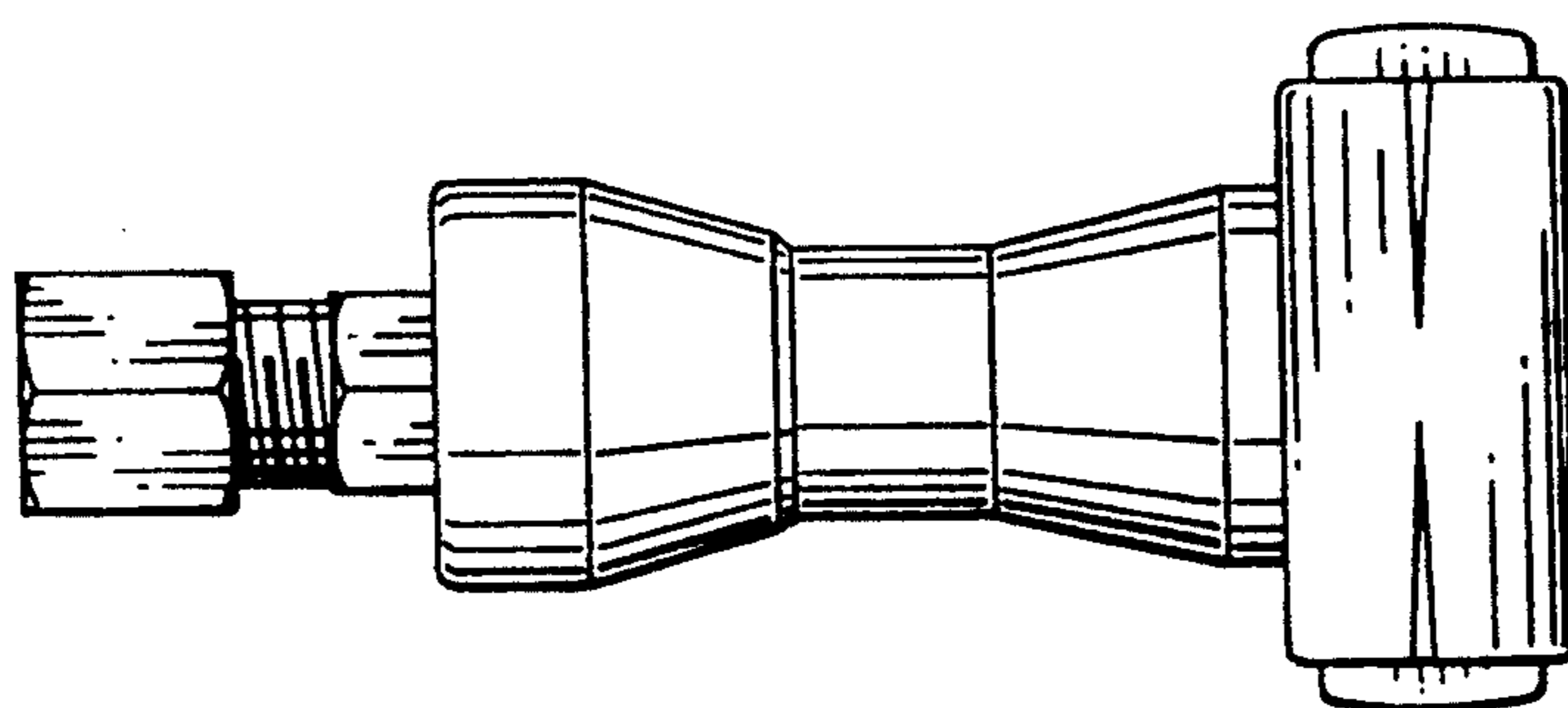


FIG. 7