



US00D332306S

# United States Patent [19]

Garth et al.

[11] Patent Number: Des. 332,306

[45] Date of Patent: \*\* Jan. 5, 1993

[54] MANUALLY OPERATED ASPIRATOR FOR EMERGENCY MEDICAL USE

[76] Inventors: Geoffrey C. Garth, 32 57th Pl., Long Beach, Calif. 90803; Charles A. Patterson, 5322 Charing Cross Rd., Westminster, Calif. 92683

[\*\*] Term: 14 Years

[21] Appl. No.: 492,108

[22] Filed: Mar. 12, 1990

[52] U.S. Cl. .... D24/108; D24/117; D24/115

[58] Field of Search ..... D24/108, 111; 604/119, 604/35, 212, 216, 73, 133, 315, 119, 35, 216, 54, 49; 128/205.18

[56] References Cited

U.S. PATENT DOCUMENTS

3,387,610 8/1965 Richmond ..... 604/216  
3,939,830 2/1976 Da Costa ..... 128/205.18

4,539,985 9/1985 Magrath ..... 604/133 X  
4,643,719 2/1987 Garth et al. .... 604/73  
4,981,474 1/1991 Bopp et al. .... 604/319 X  
4,998,915 3/1991 Hannal ..... 604/73  
5,024,653 6/1991 Kohnke ..... 604/35

Primary Examiner—Stella Reid  
Assistant Examiner—I. Simmons  
Attorney, Agent, or Firm—J. F. McLellan

[57] CLAIM

The ornamental design for a manually operated aspirator for emergency medical use, as shown

DESCRIPTION

FIG. 1 is a right side elevational view of a manually operated aspirator for emergency medical use, showing our new design;

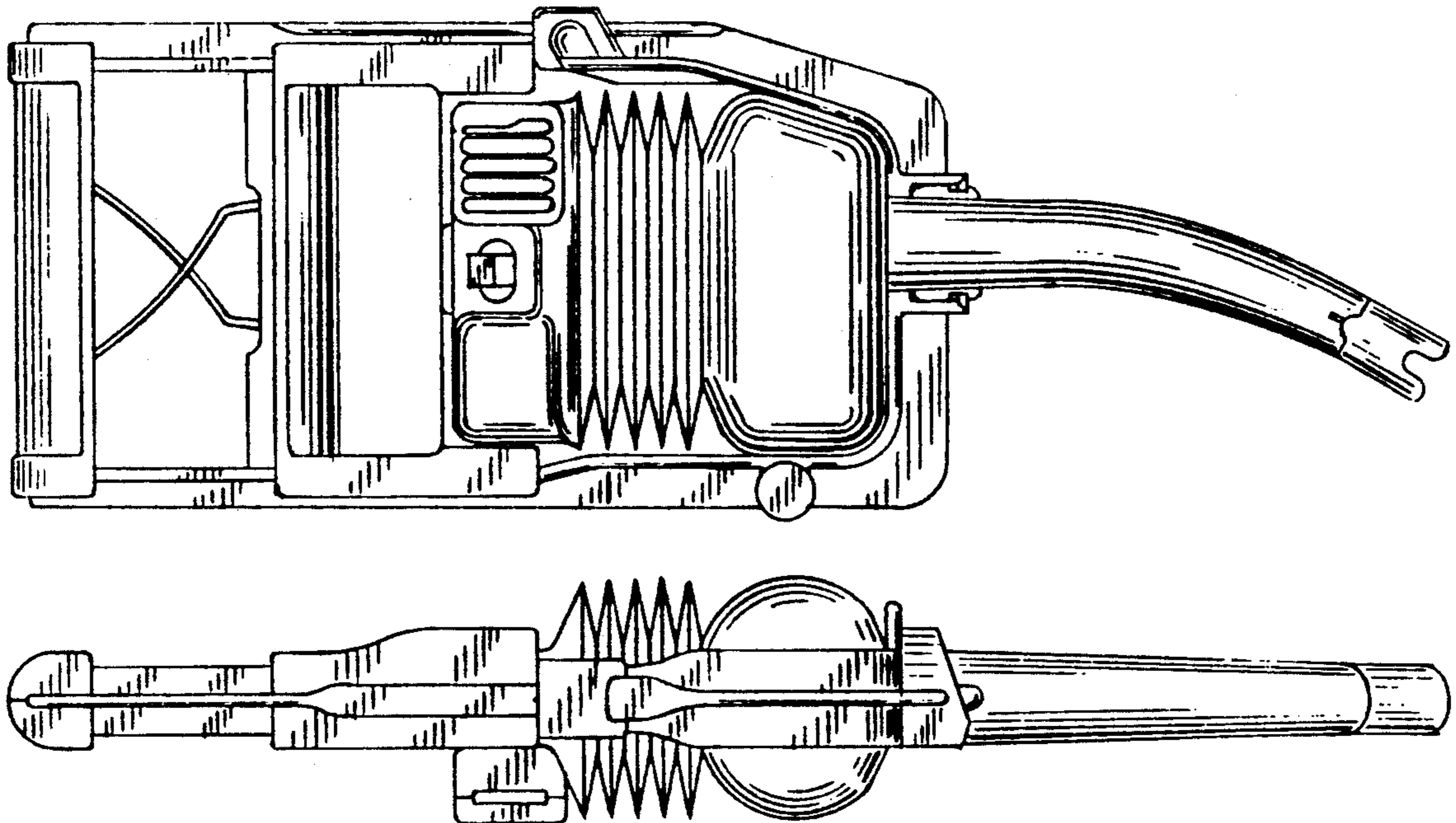
FIG. 2 is a left side elevational view thereof;

FIG. 3 is a top plan view thereof;

FIG. 4 is a bottom plan view thereof;

FIG. 5 is a rear elevational view thereof; and,

FIG. 6 is a front elevational view thereof.



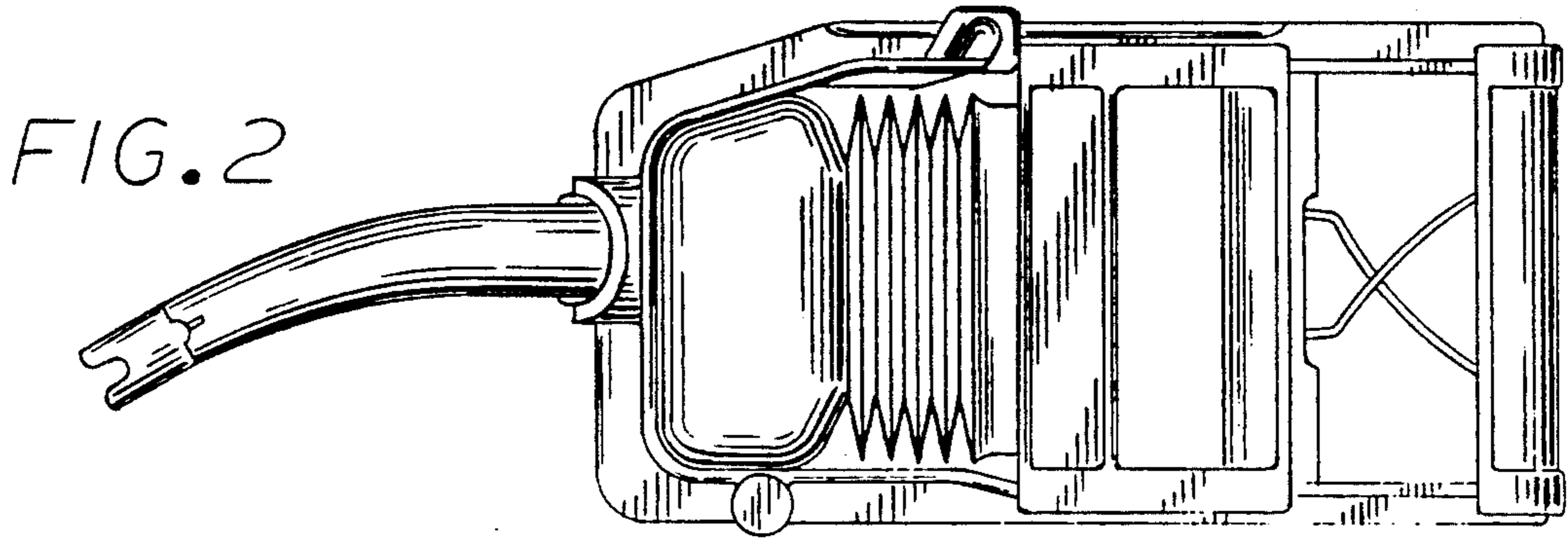
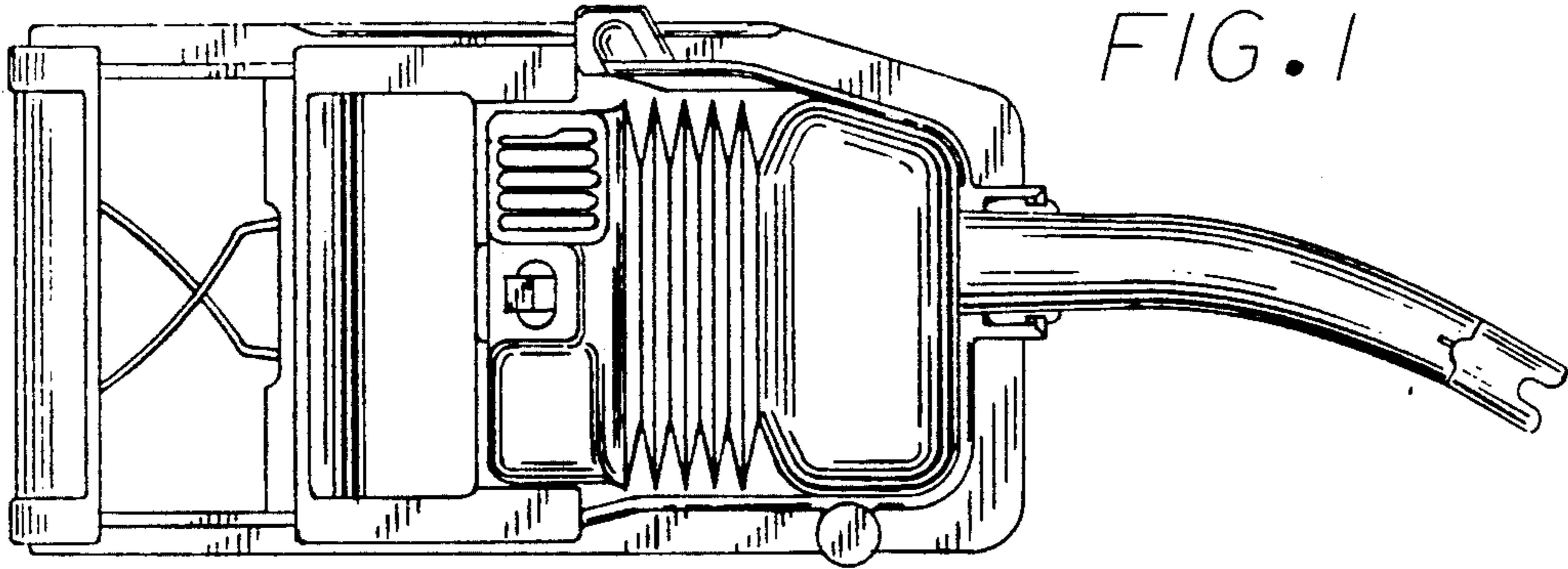


FIG. 3

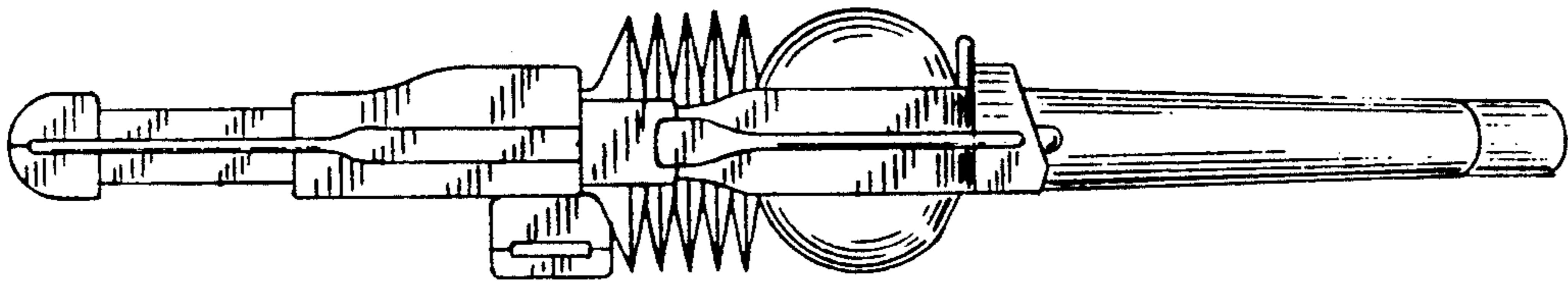


FIG. 4

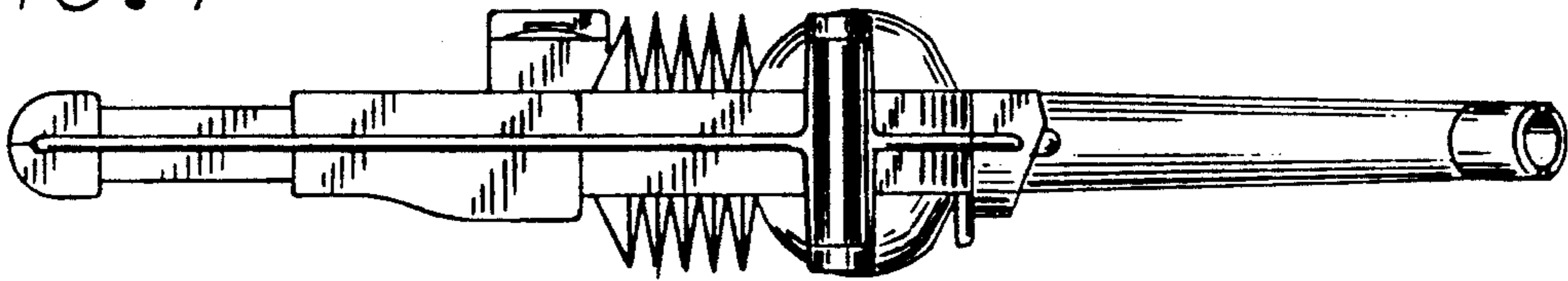


FIG. 5

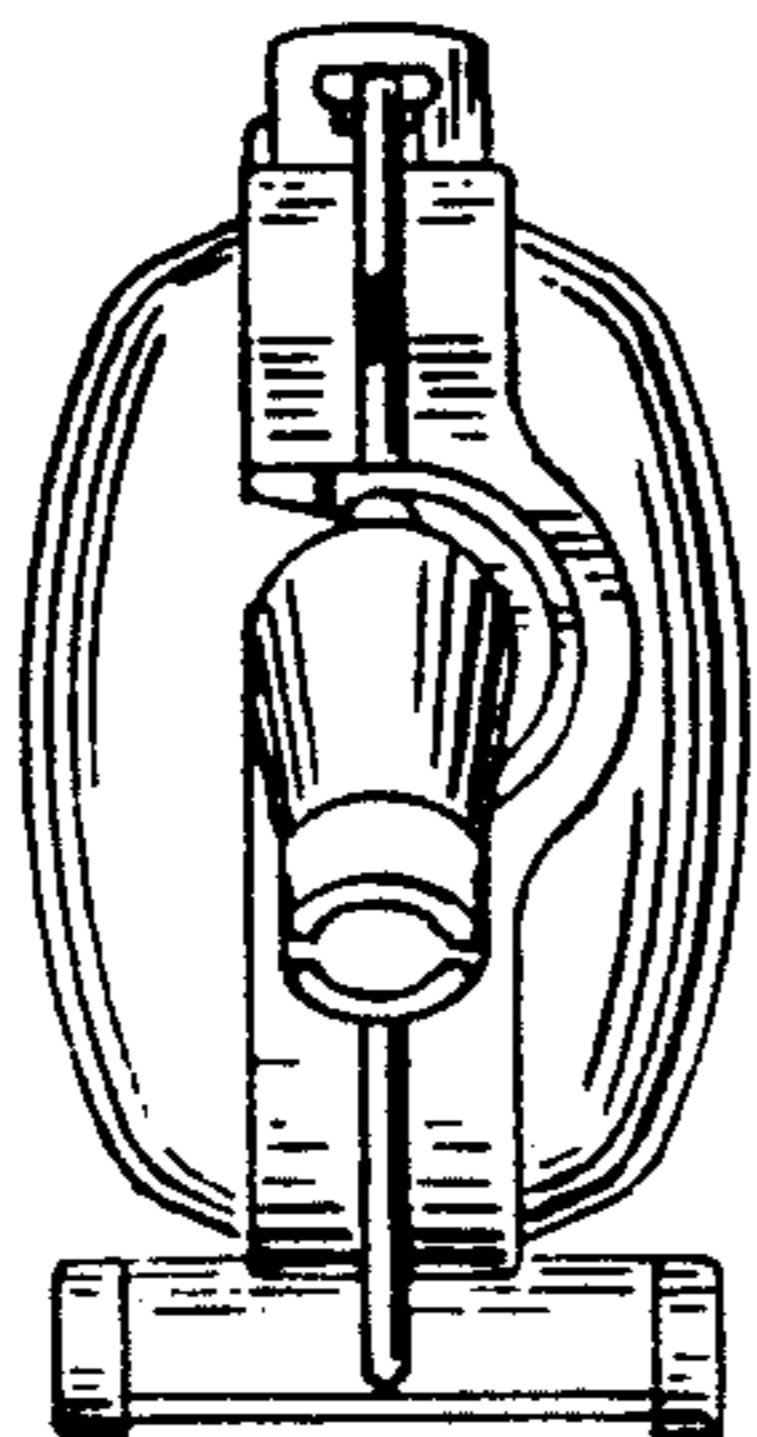


FIG. 6

